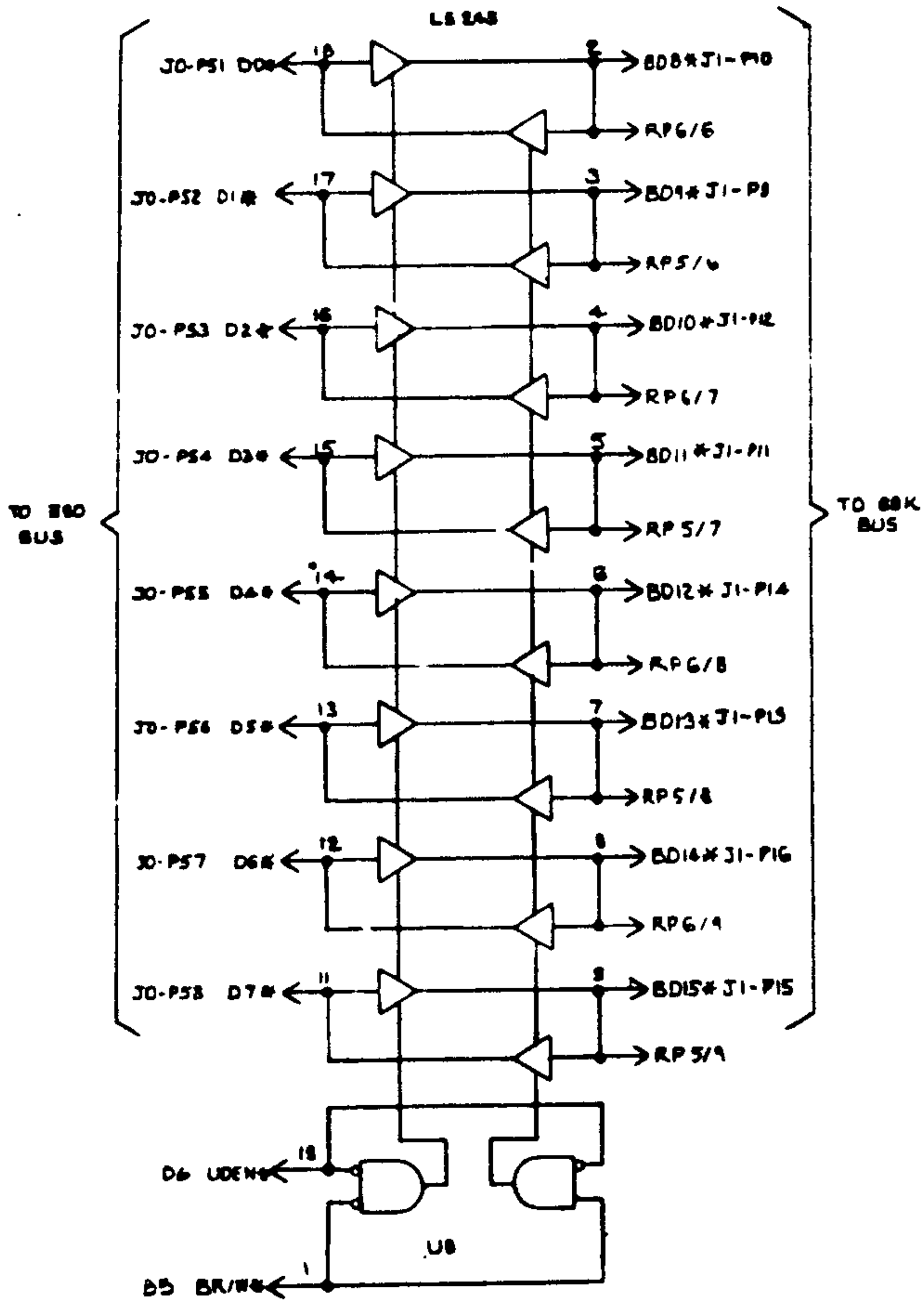
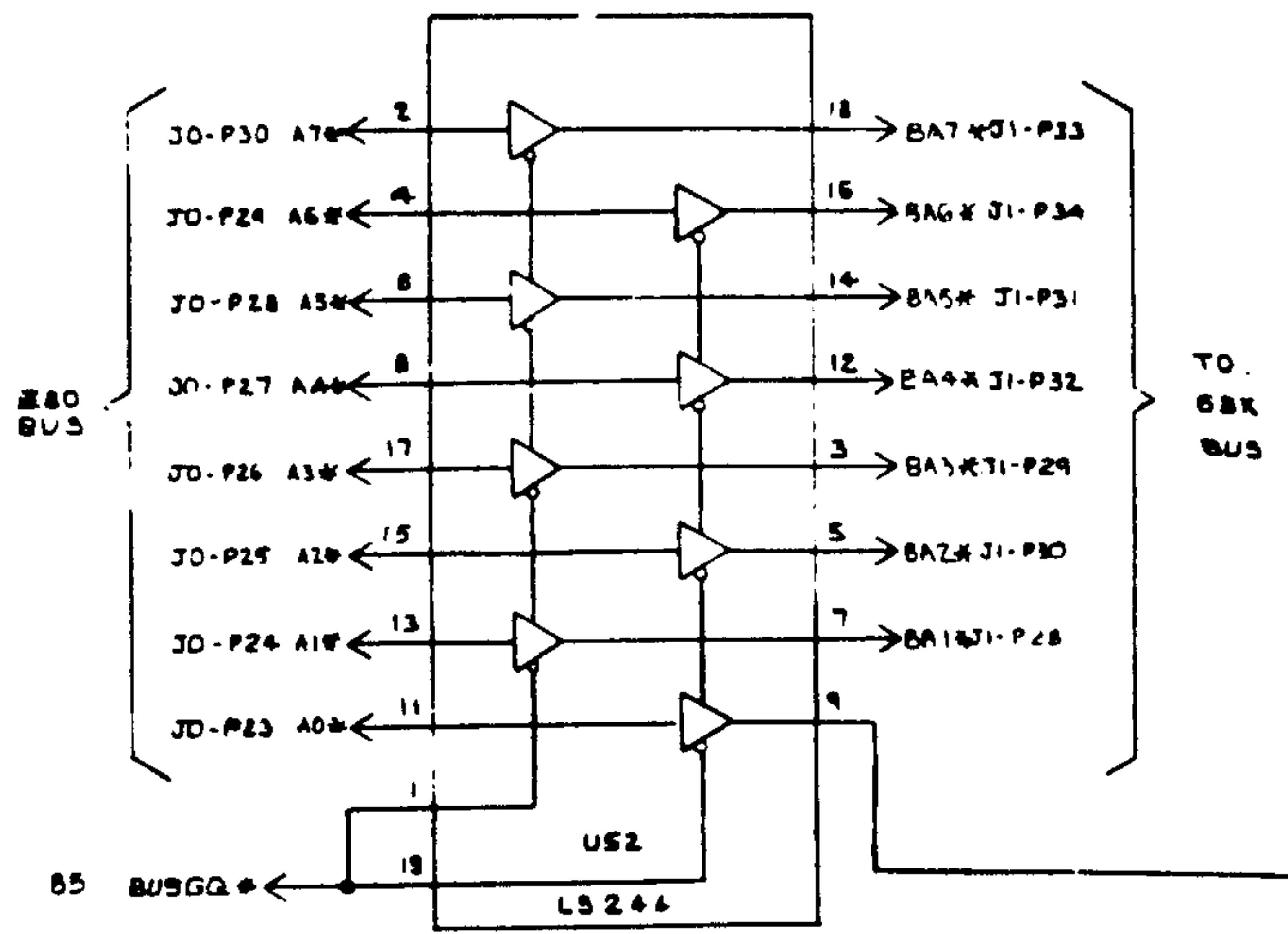


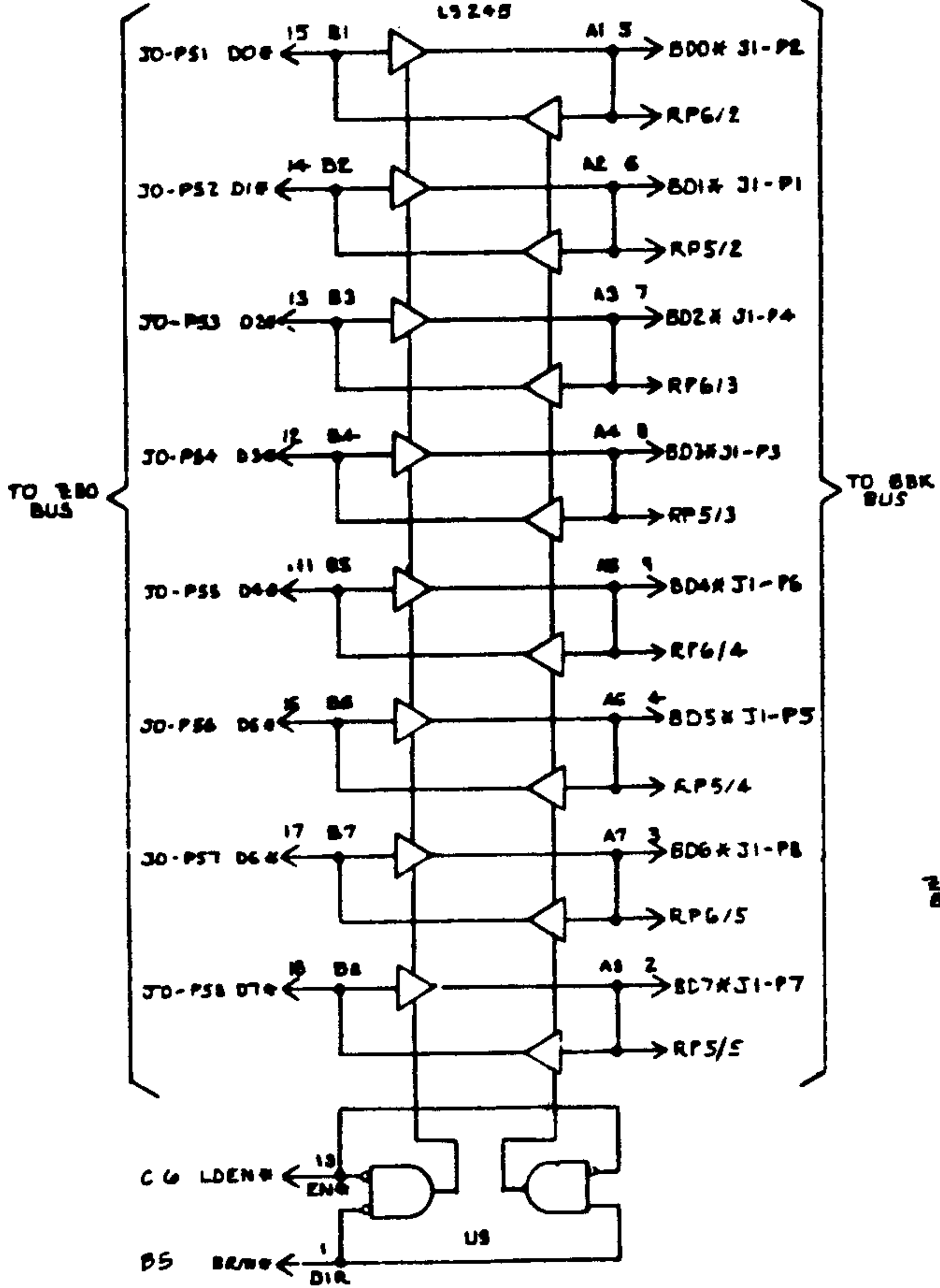
UPPER DATA BUFFERING



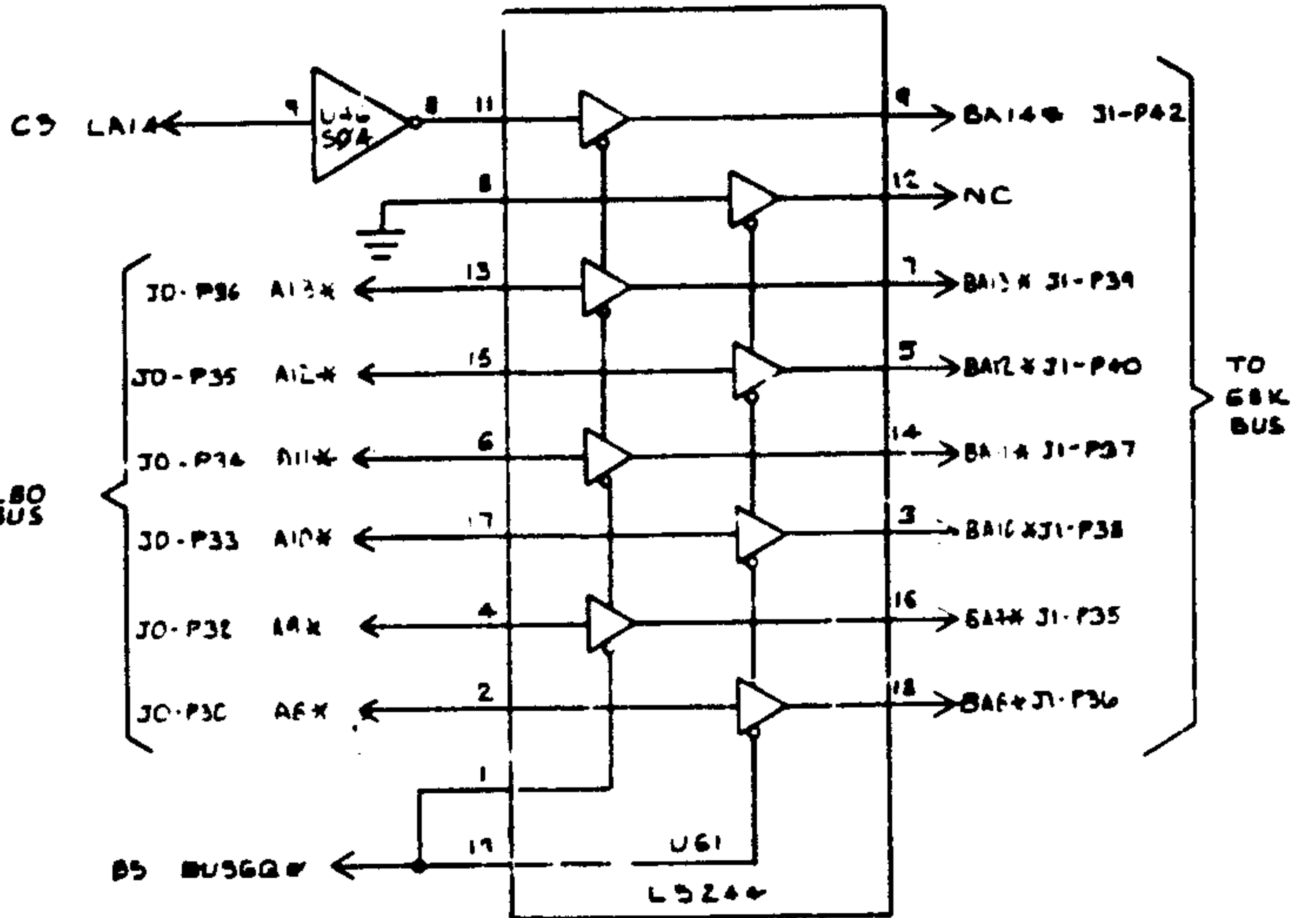
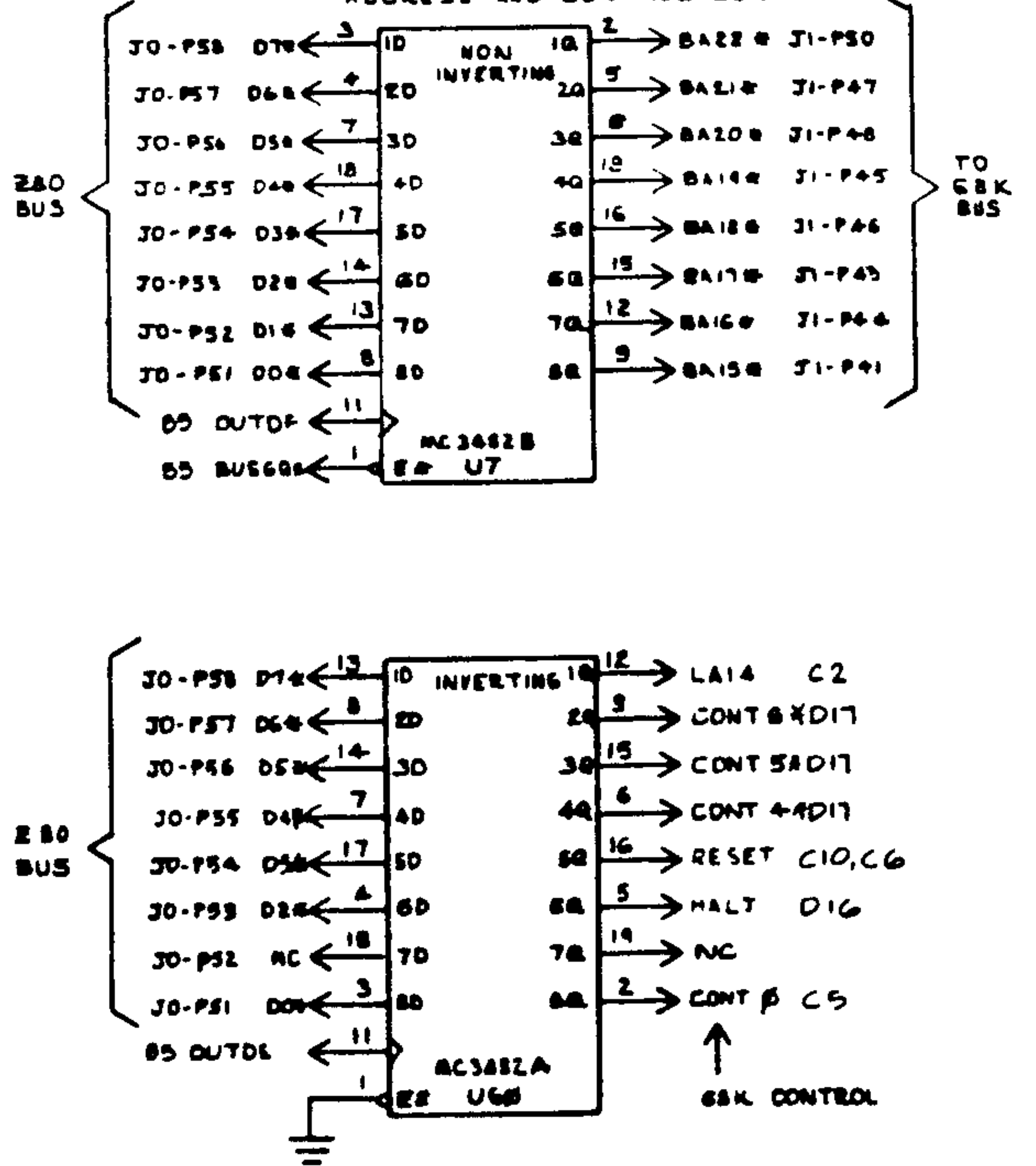
ADDRESS GEN CONT.



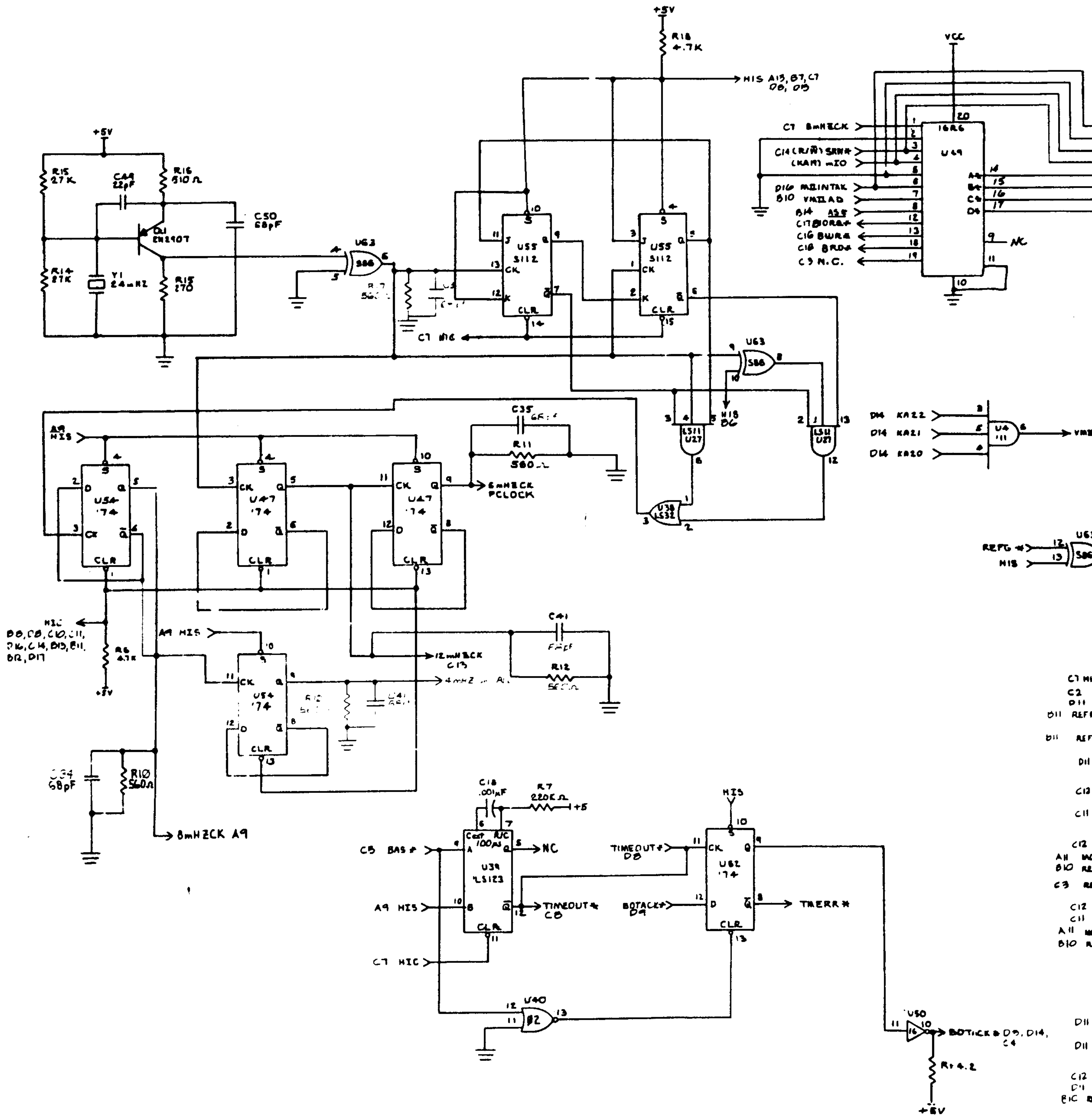
LOWER DATA BUFFERING



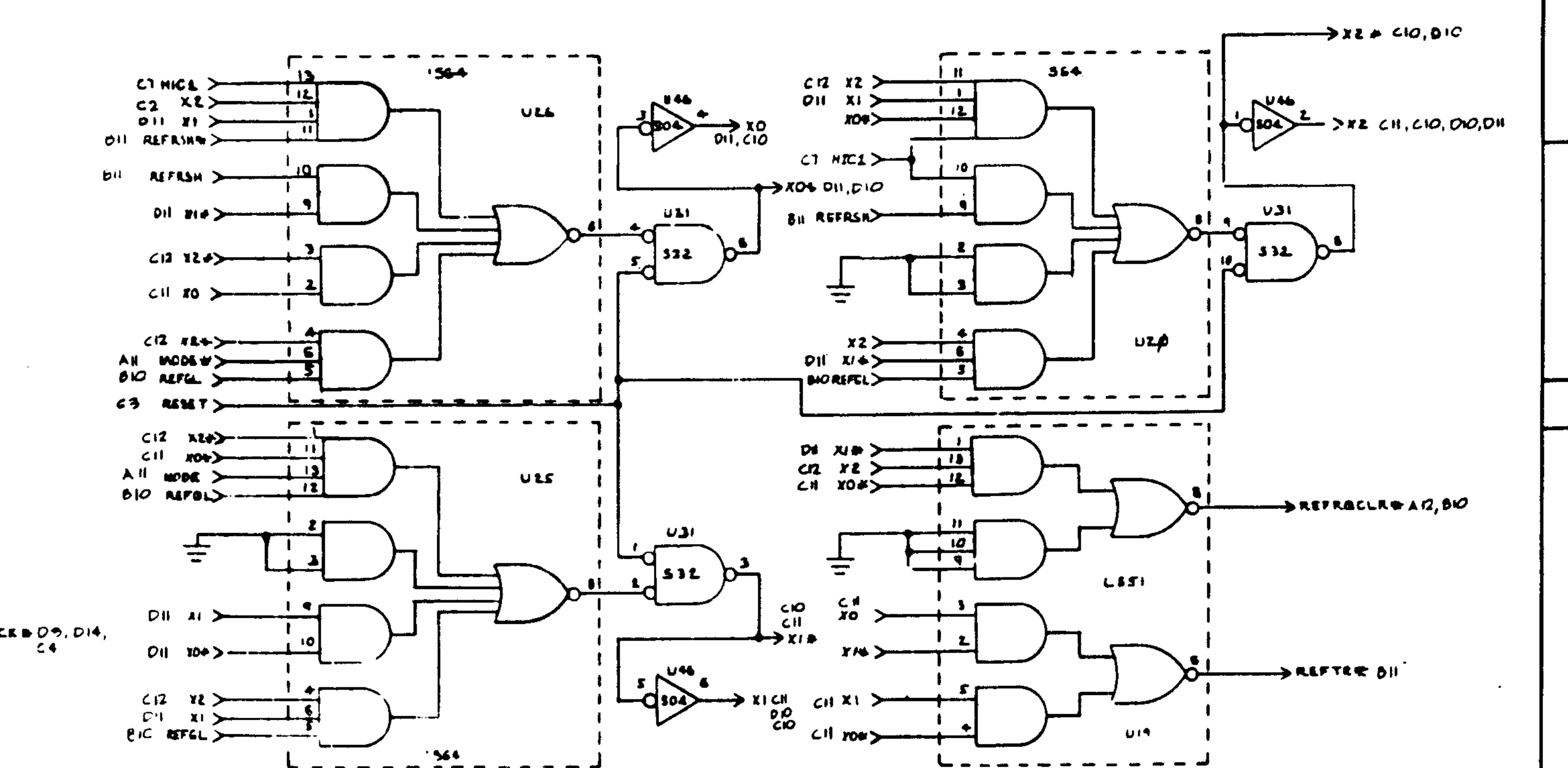
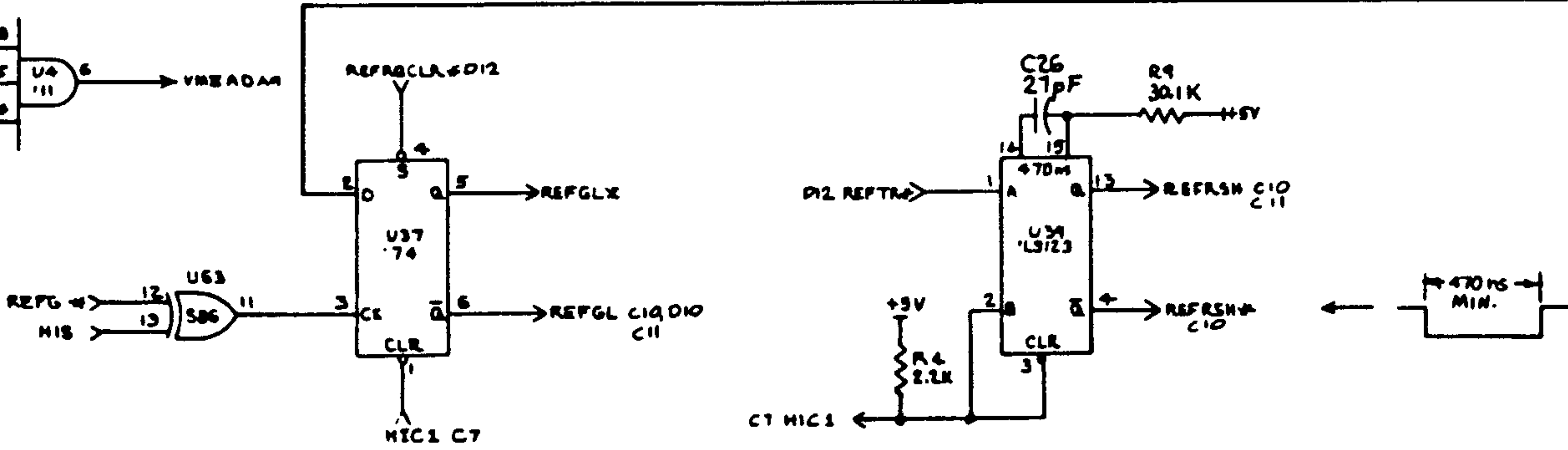
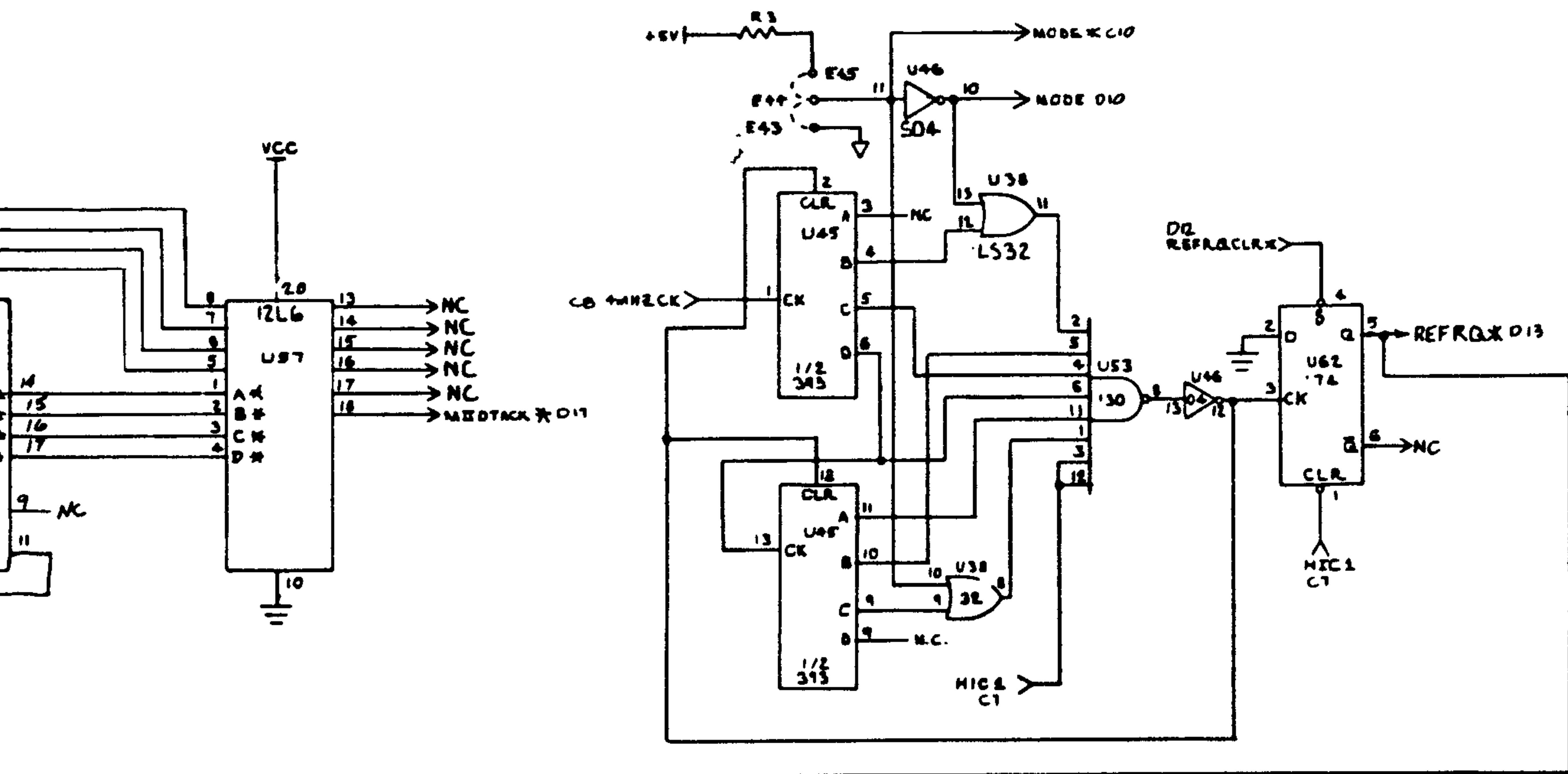
ADDRESS AND CONTROL GEN

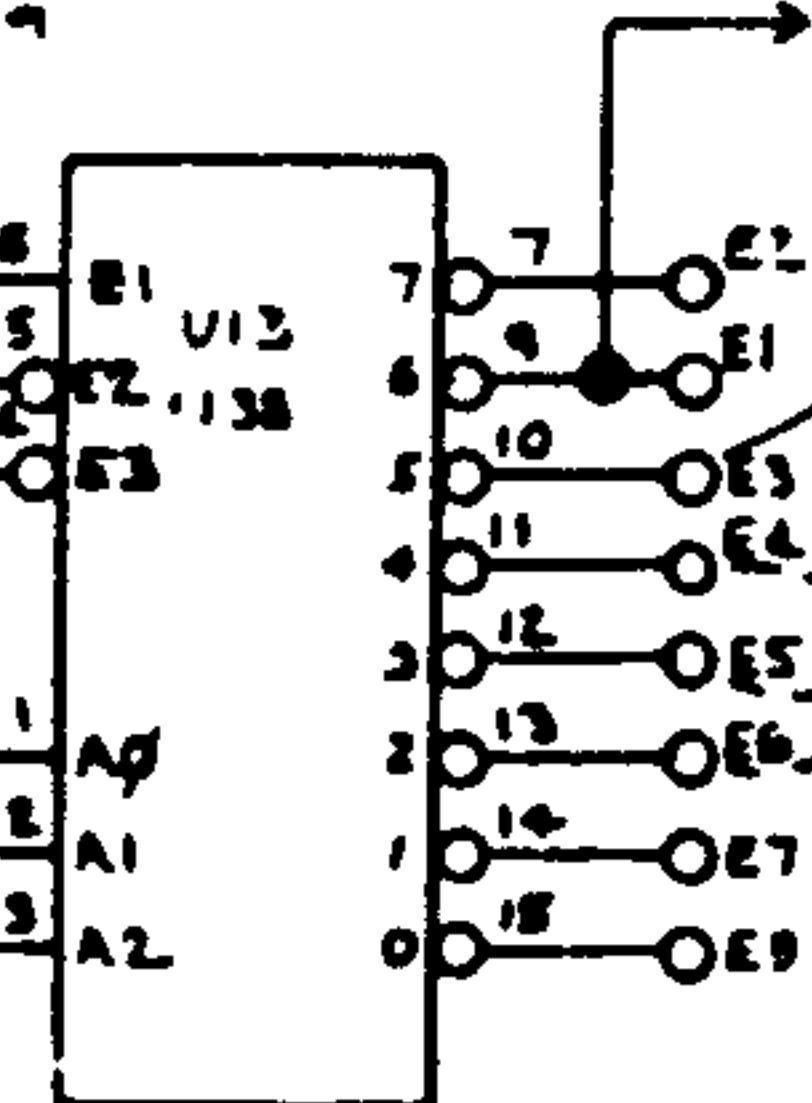
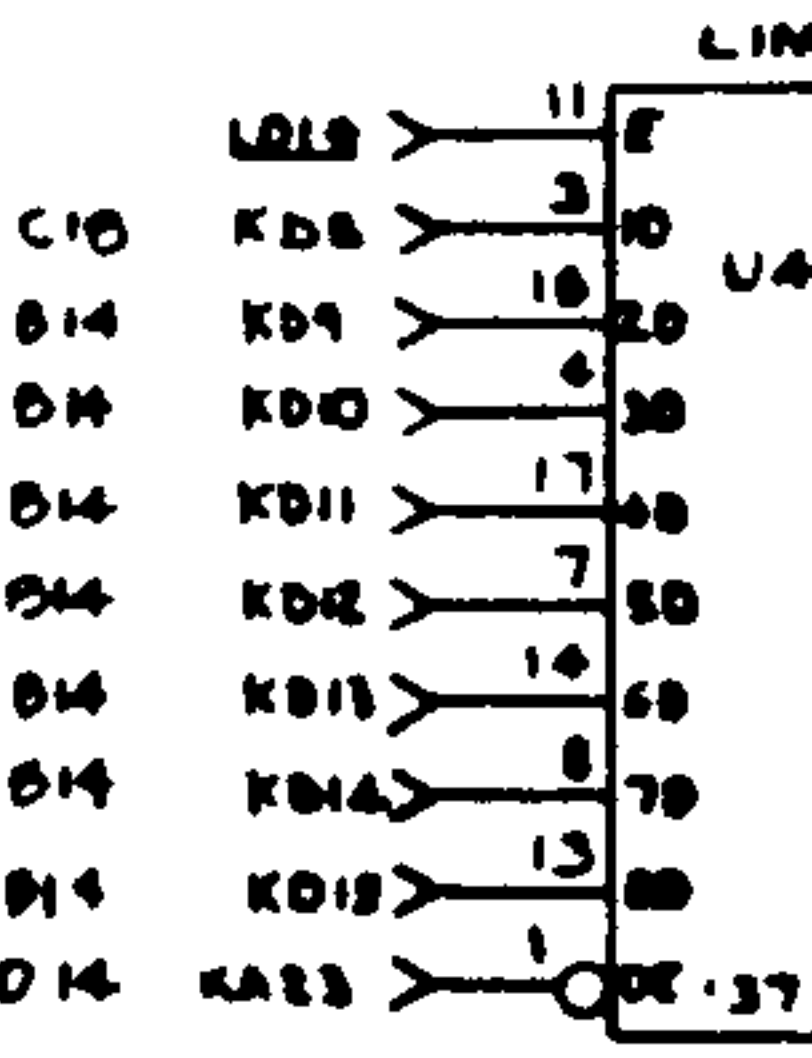
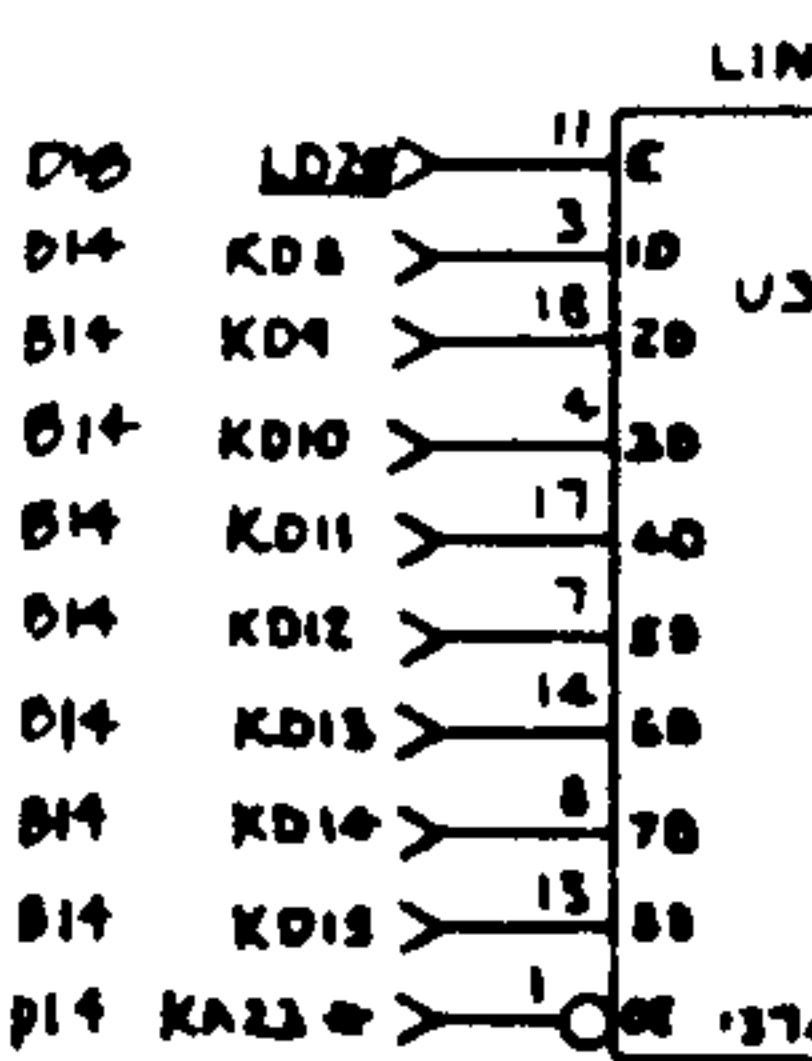
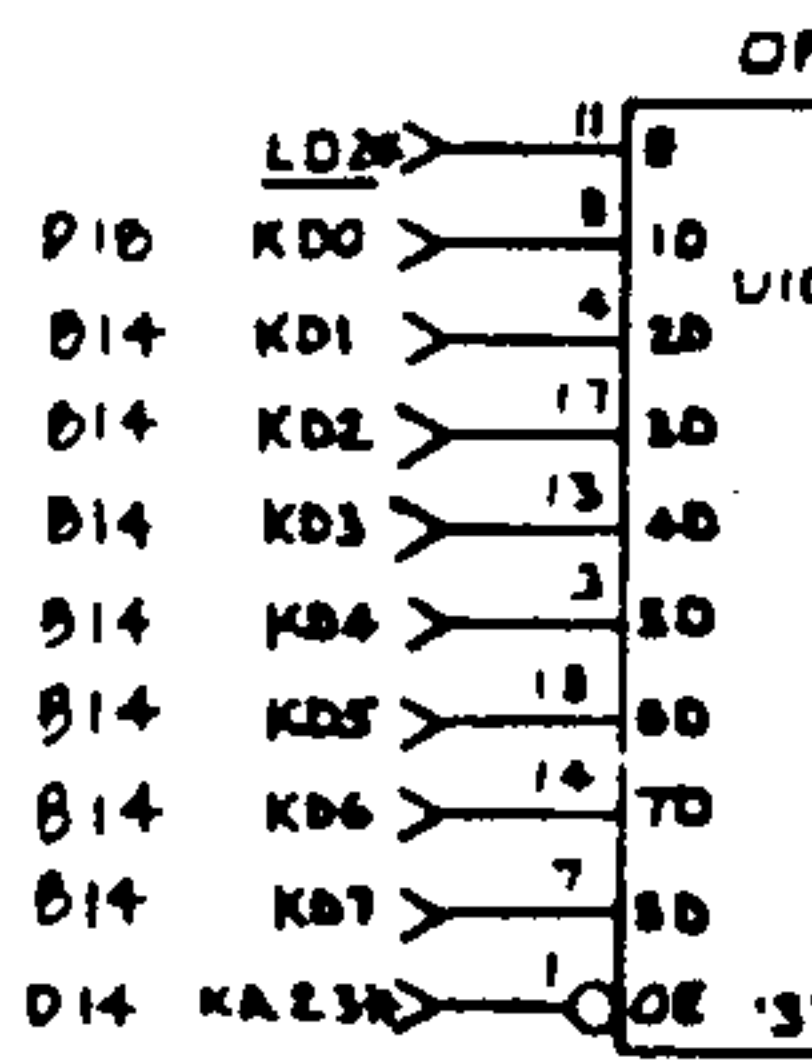
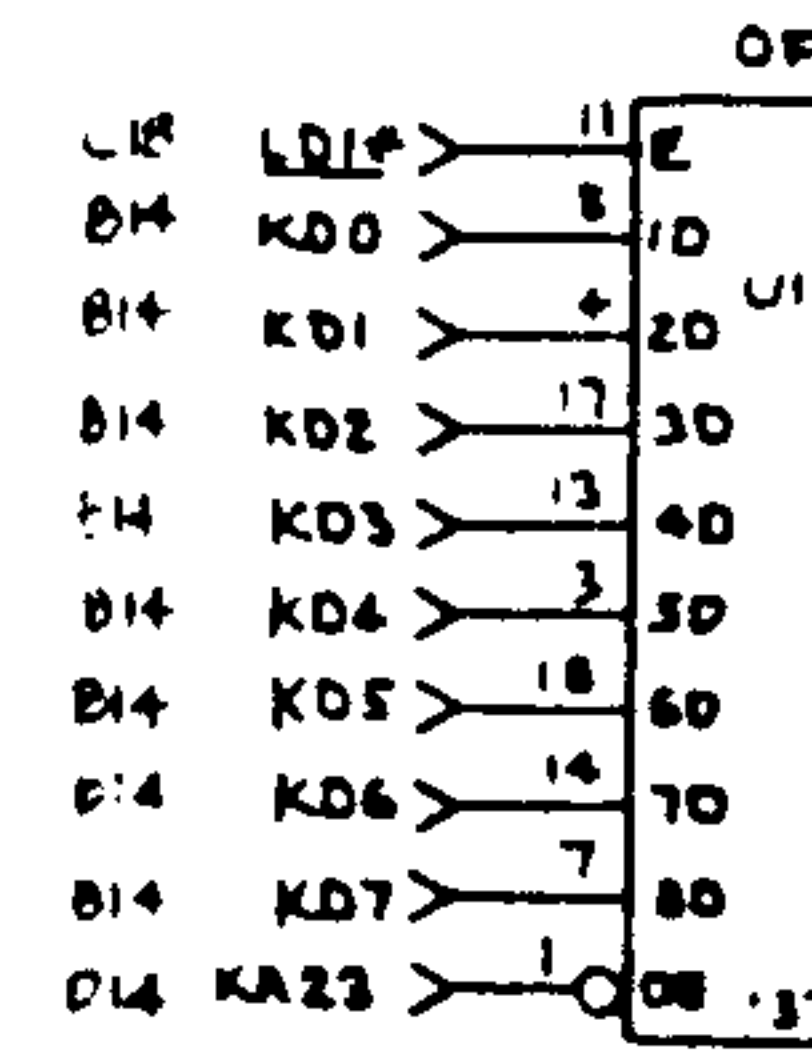
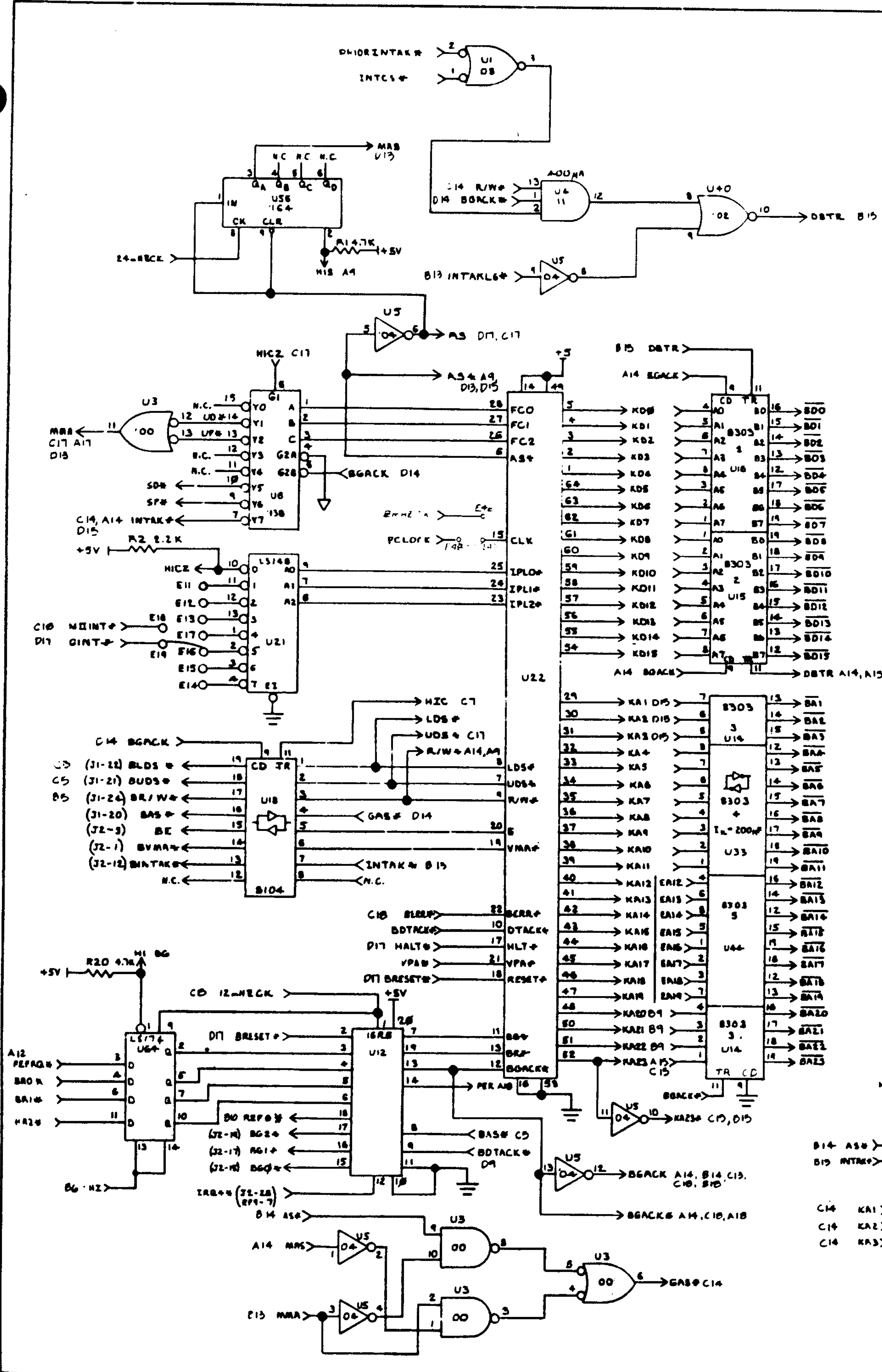


C6 CONTIN
D9 MERRA
(J0-P21)
880

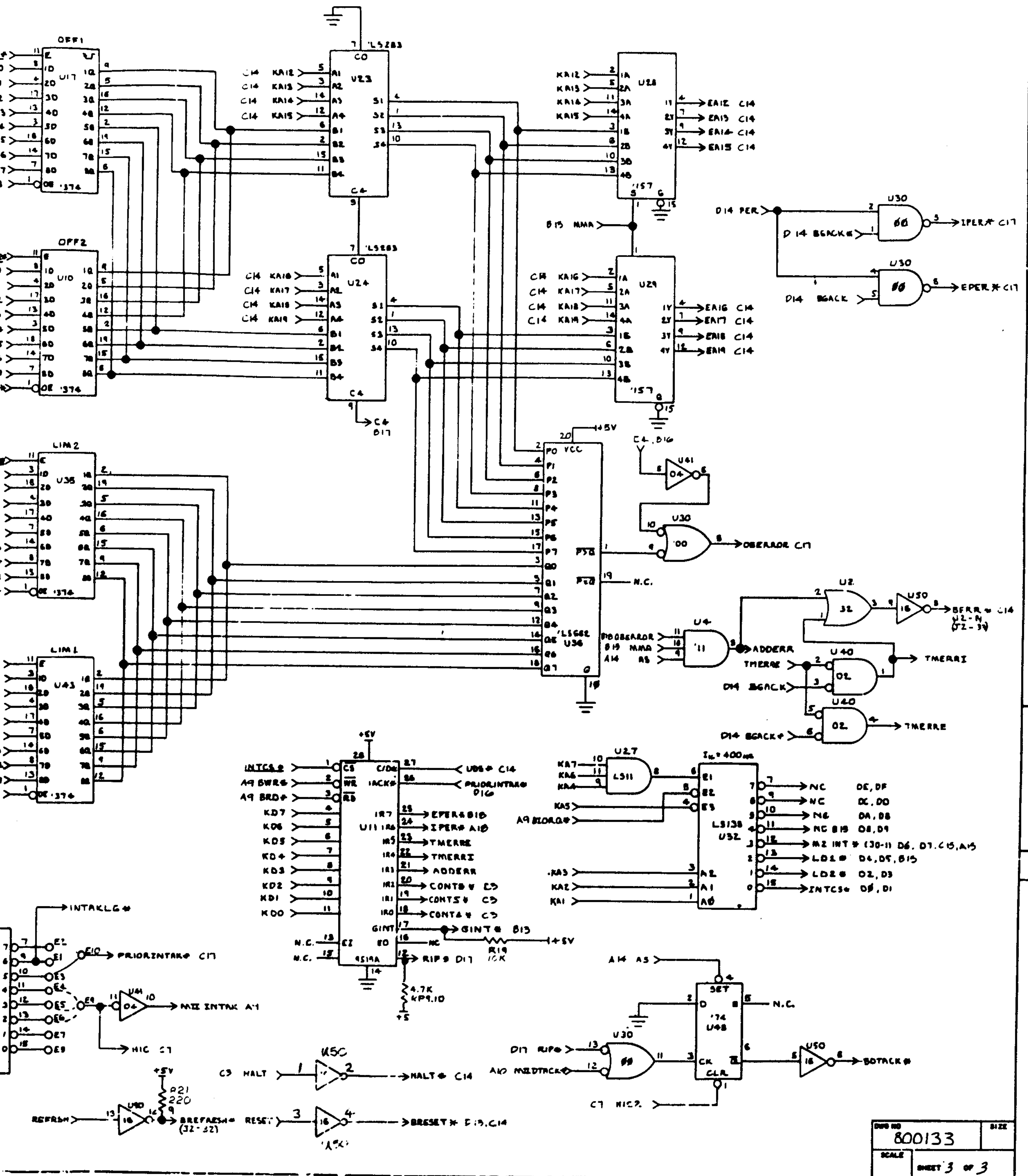


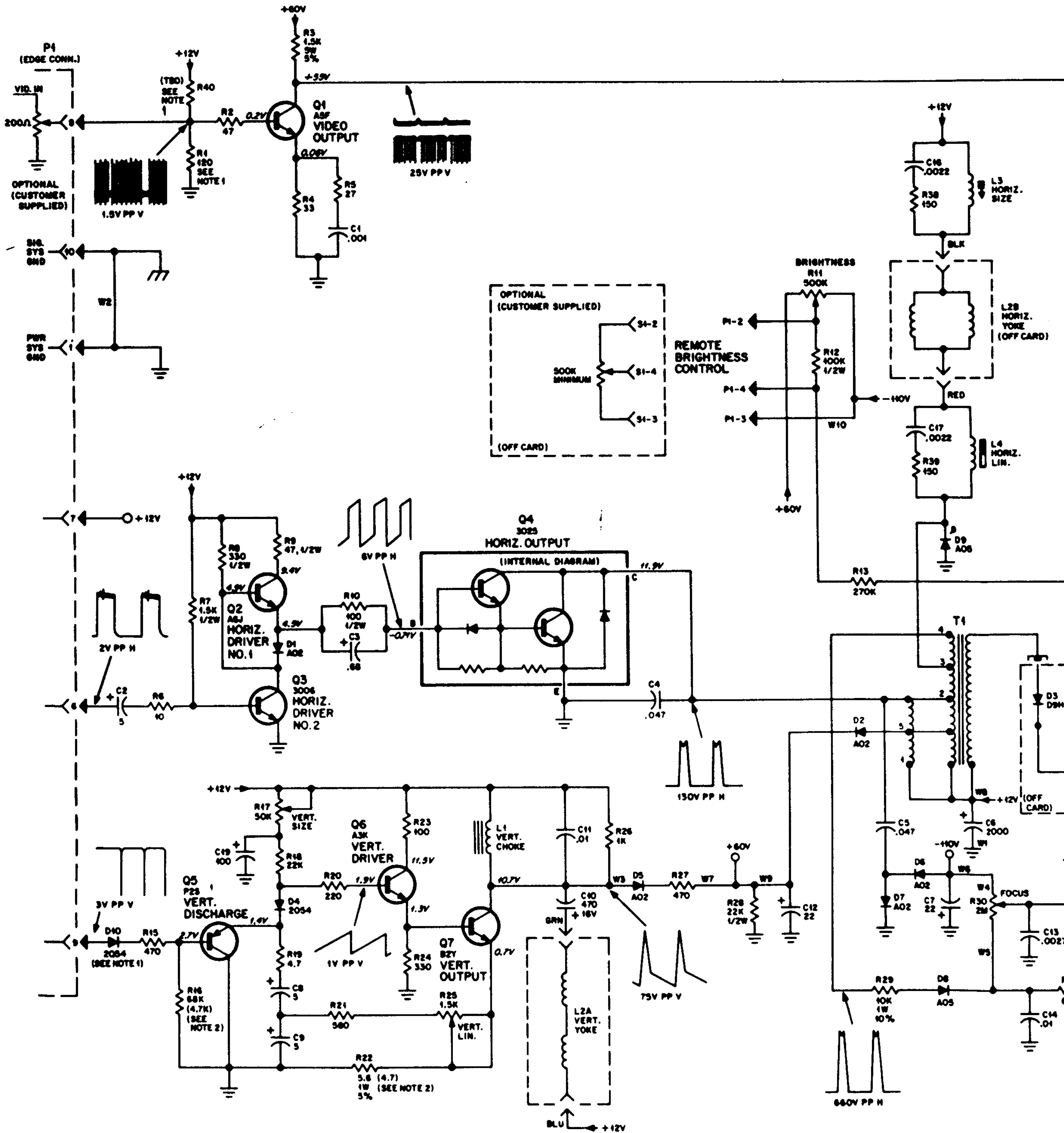
- C7 M16
- C2
- D11
- D11 REF
- D11 REF
- D11
- C12
- C11
- C12
- A11 M
- B10 R
- C3 R
- C12
- C11
- A11 M
- B10 R
- D11
- D11
- C12
- D11
- B10 R
- B10 R

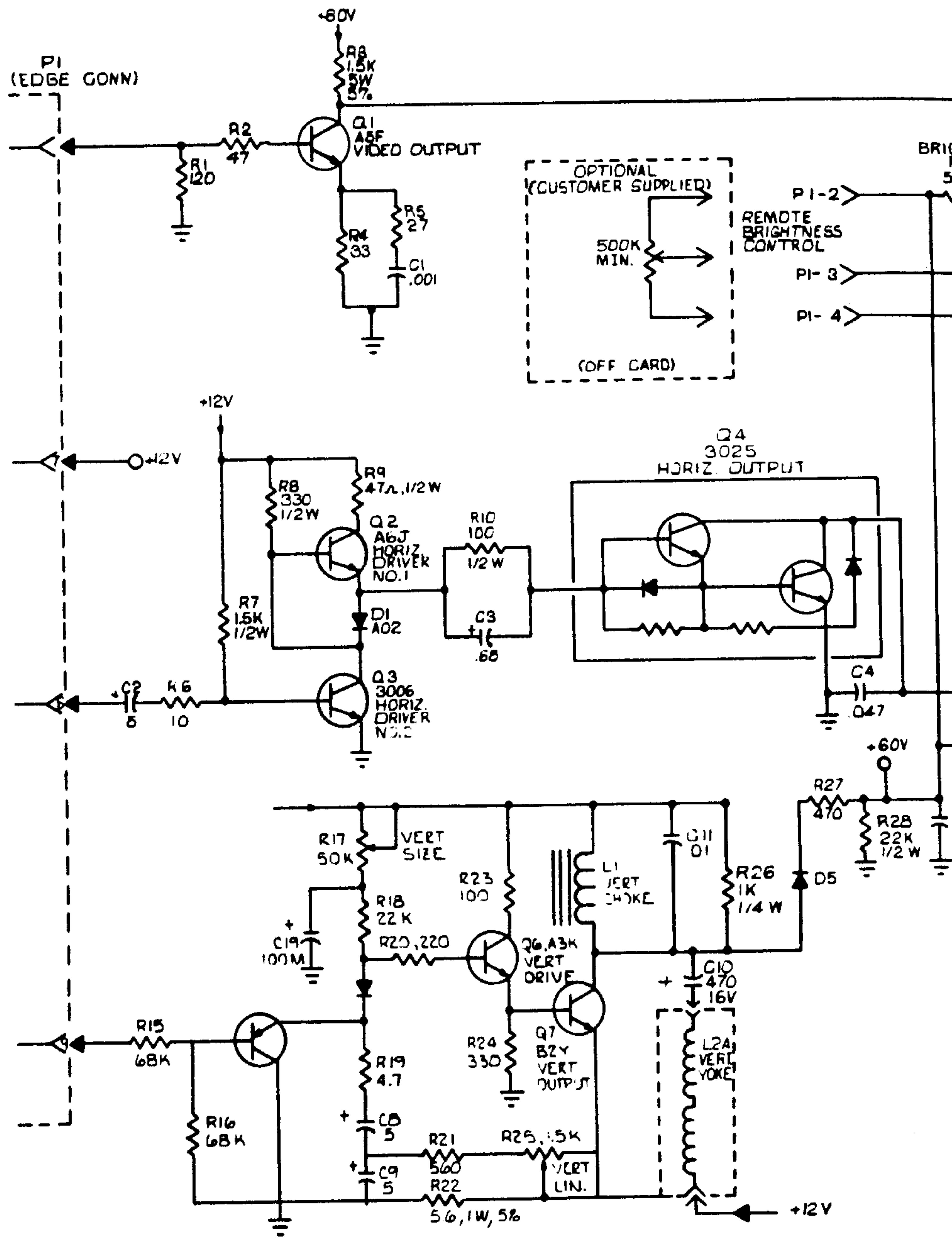


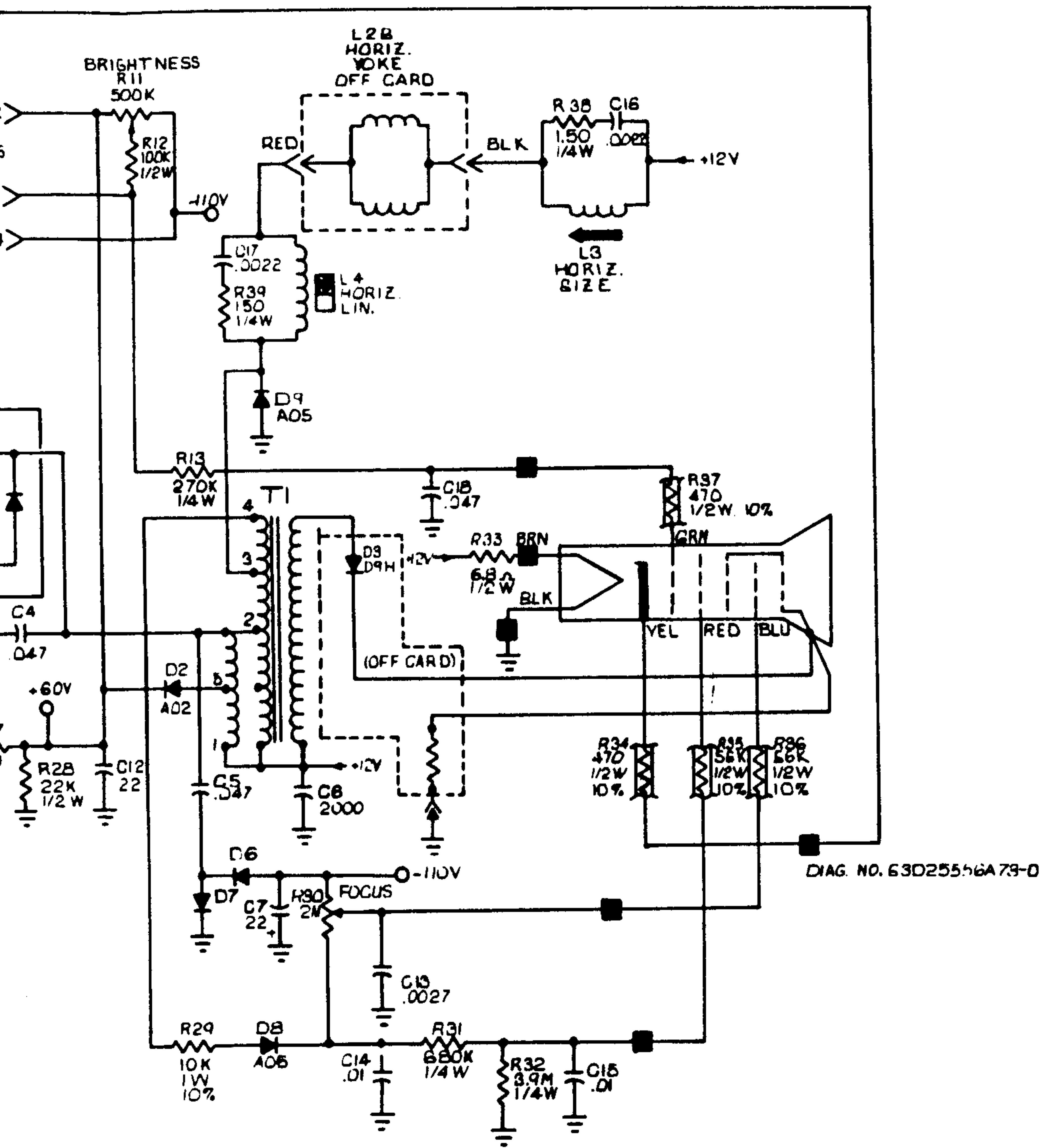


REFRESH





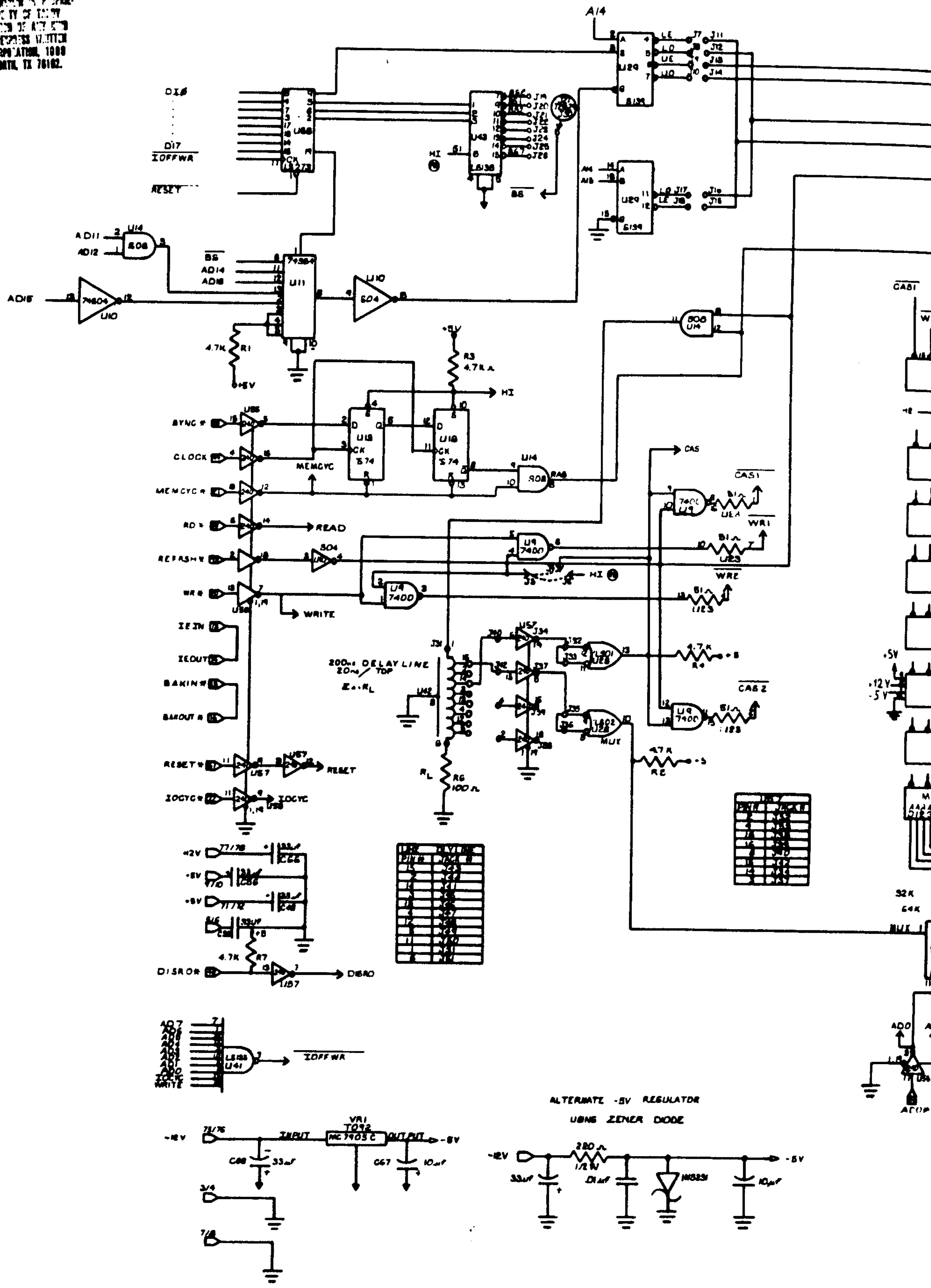




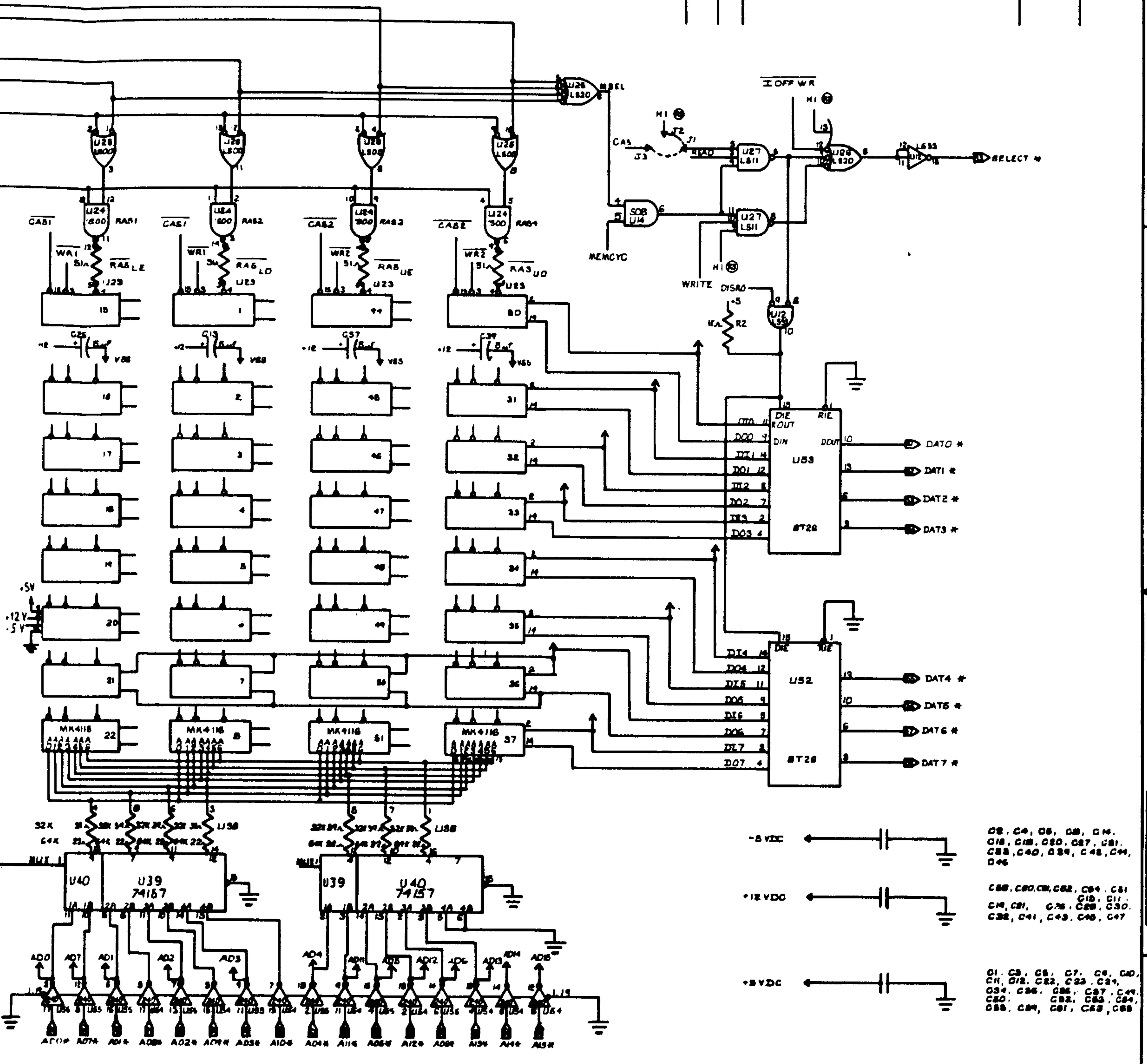
DWG NO	8000049	REV
SCALE	SHEET 2 OF 2	

PROPRIETARY INFORMATION

THE INFORMATION CONTAINED HEREIN IS PROPRIETARY AND IS THE PROPERTY OF TANDY CORPORATION. NO REPRODUCTION OR DISSEMINATION MAY BE MADE WITHOUT THE EXPRESS WRITTEN AUTHORIZATION OF TANDY CORPORATION, 1000 TANDY CENTER, FORT WORTH, TX 76102.



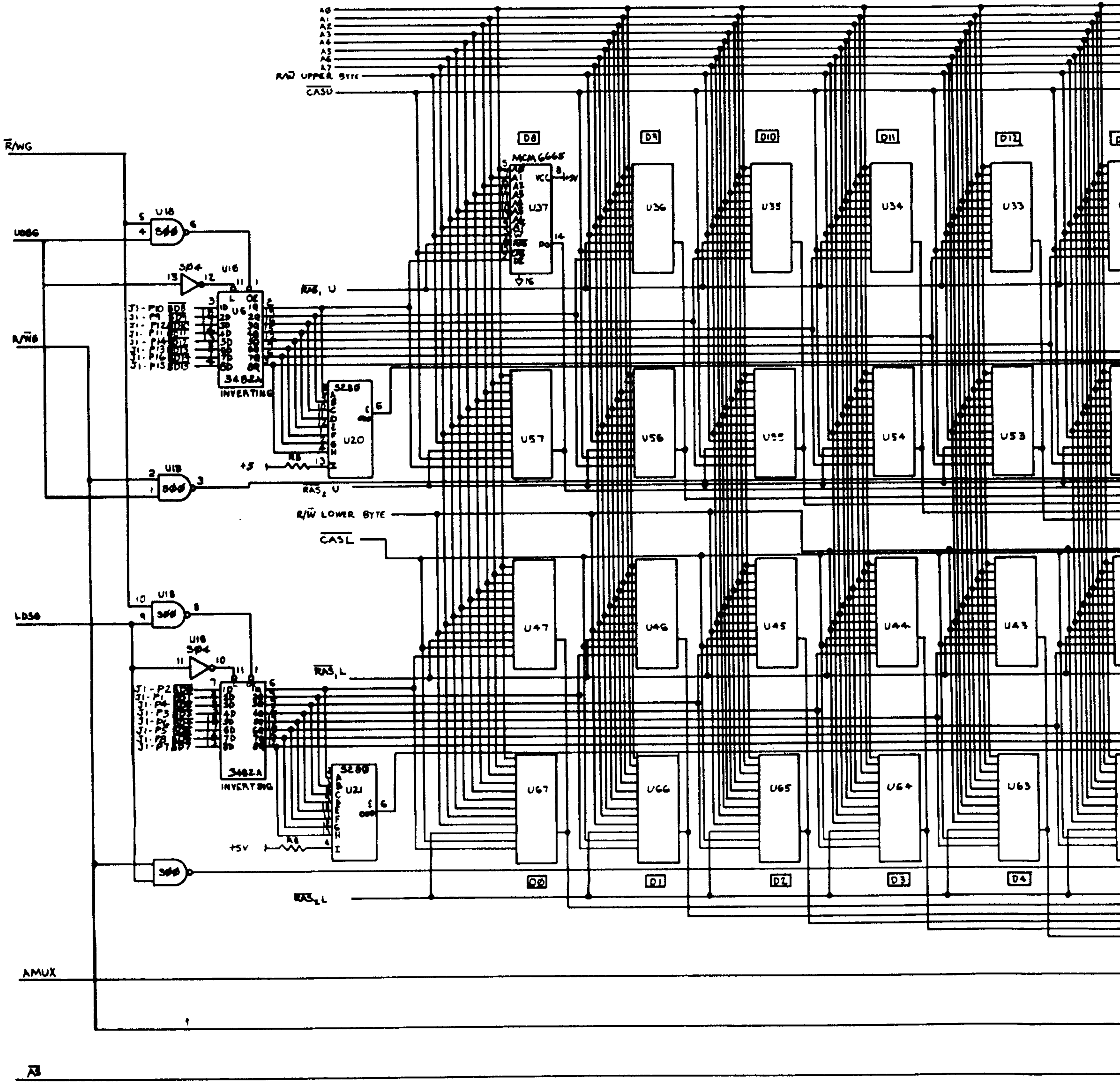
REVISIONS				
REV	DATE	DESCRIPTION	DATE	APPROVED
A	11-1-79	REMOVED NOTES & 2ND PAGE		



- 5 VDC
 - +12 VDC
 - +5 VDC
- C2, C4, C6, C8, C4.
 C18, C18, C20, C27, C31,
 C33, C40, C24, C42, C44,
 C46
- C50, C50, C52, C54, C51
 C19, C21, C23, C25, C30,
 C32, C41, C43, C45, C47
- C1, C3, C5, C7, C9, C10,
 C11, C12, C22, C23, C24,
 C34, C35, C36, C37, C49,
 C50, C52, C53, C54,
 C55, C59, C61, C63, C65

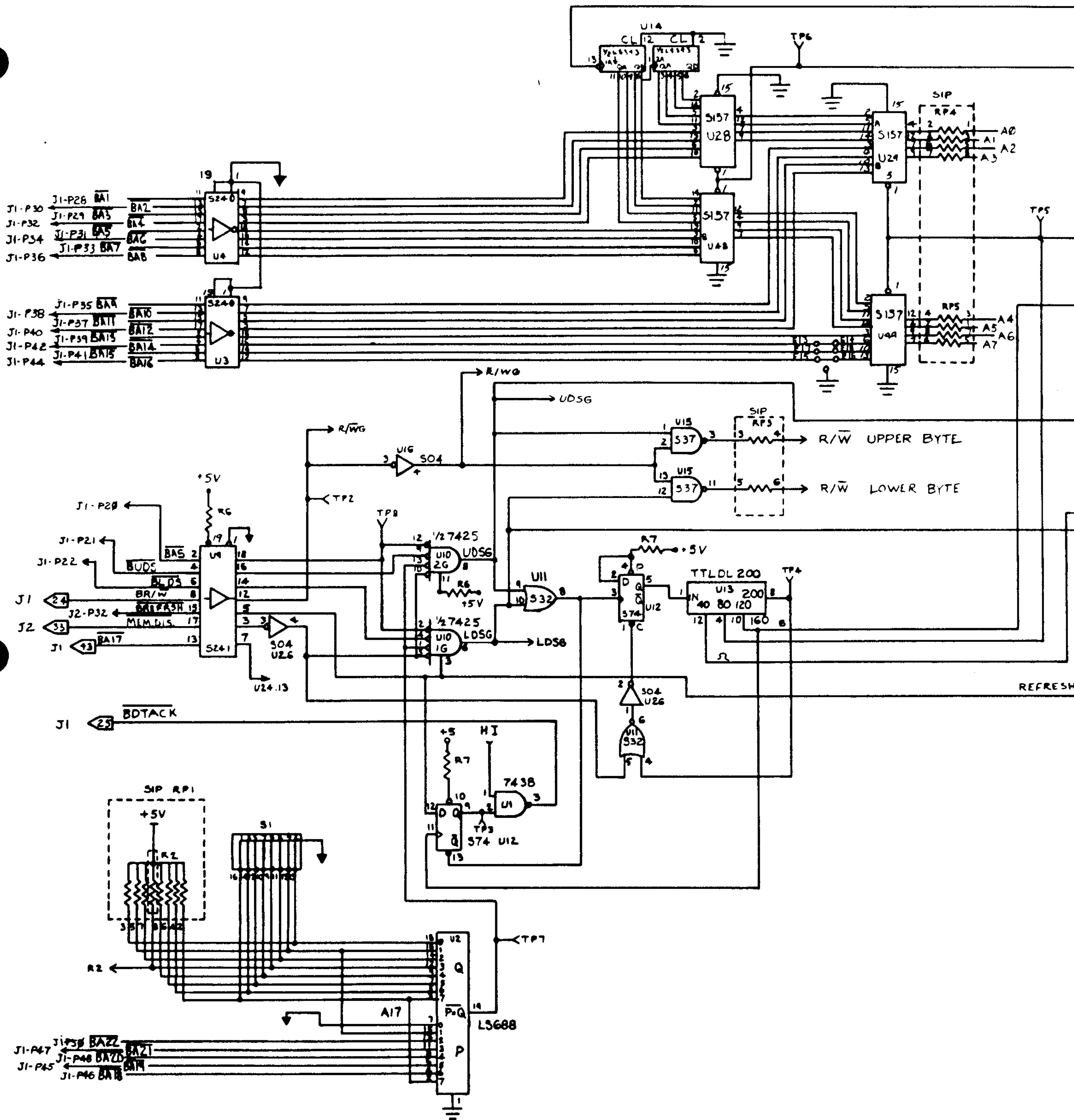
UNLESS OTHERWISE SPECIFIED DIMENSIONS ARE IN INCHES TOLERANCES: FRACTIONAL ± 1/64 ANGLES ± 1° TWO PLACE DECIMAL ± .010 THREE PLACE DECIMAL ± .005 DO NOT SCALE THIS DRAWING		DRAWN V. TERRY DATE 6-5-79	tandy SYSTEMS DESIGN 2725 West Seventh Street Fort Worth, Texas 76107
MATERIAL		CHECKED DATE	
172A		DESIGN ENGINEER DATE	TITLE SCHEMATIC, MEMORY MODEL II
NEXT ASSEMBLY USED ON		PROJECT ENGINEER Steve Lewis DATE 6/20/79	
APPLICATION		CHIEF ENGINEER DATE	SHEET NO. 8000050
		MANUFACTURING DATE	SCALE 172
		GENERAL MANAGER DATE	SHEET 1 OF 1

8000050

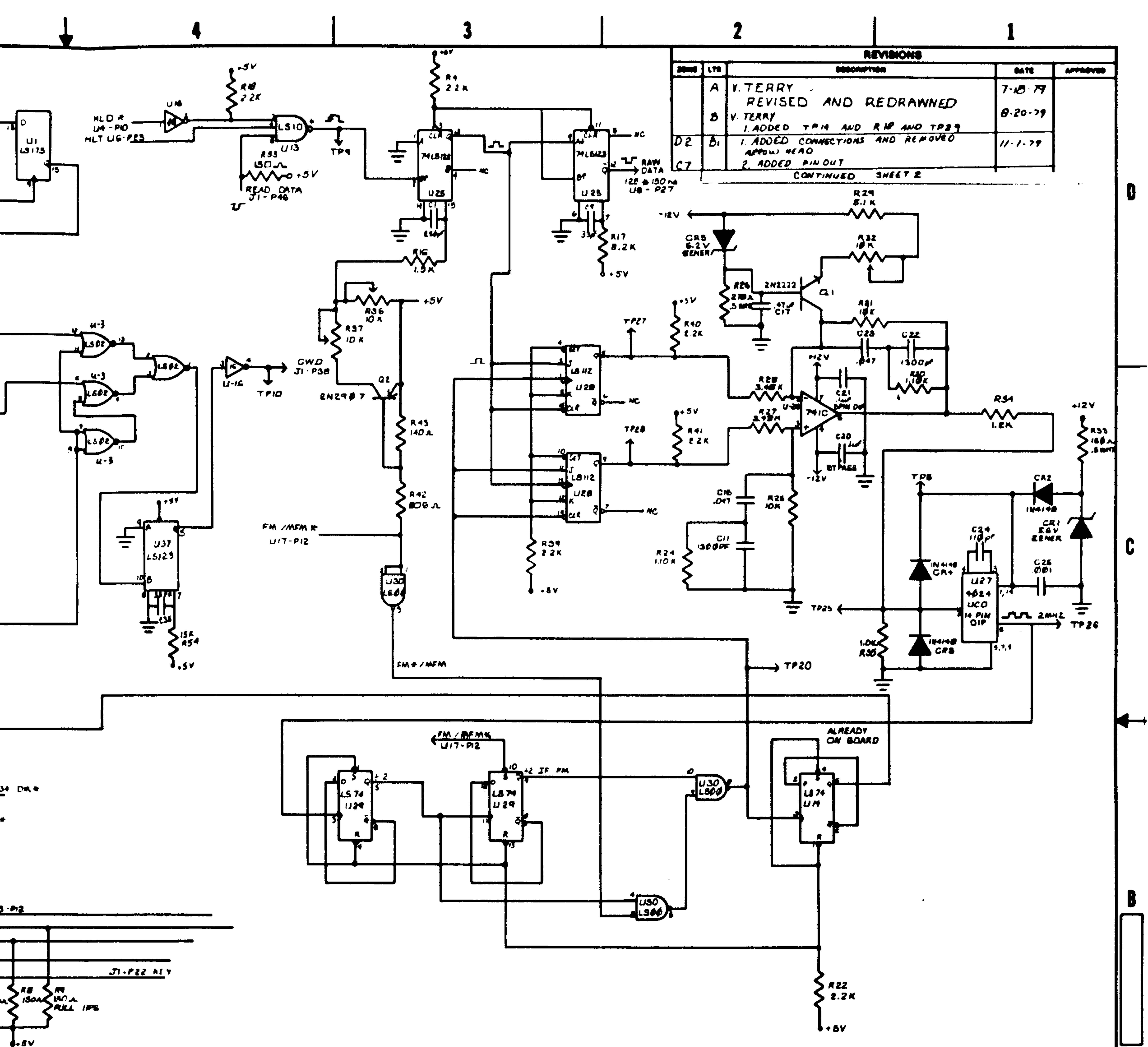


MATERIAL

FINISH



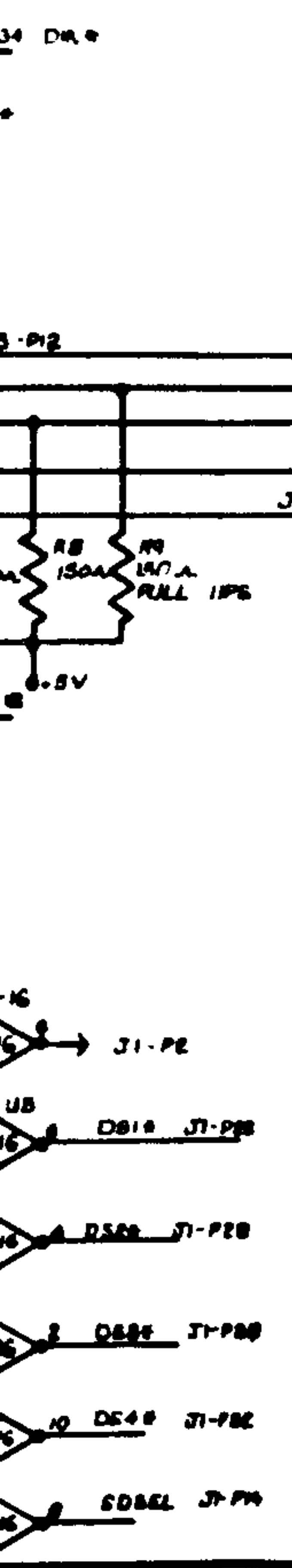
MATE
 FINISH



REVISIONS				
NO	DATE	DESCRIPTION	DATE	APPROVED
A	7-18-77	V. TERRY - REVISED AND REDRAWN		
B	8-20-77	V. TERRY 1. ADDED TP14 AND R18 AND TP29		
D2	11-1-77	1. ADDED CONNECTIONS AND REMOVED ARROW HEAD 2. ADDED PIN OUT		
CONTINUED SHEET 2				

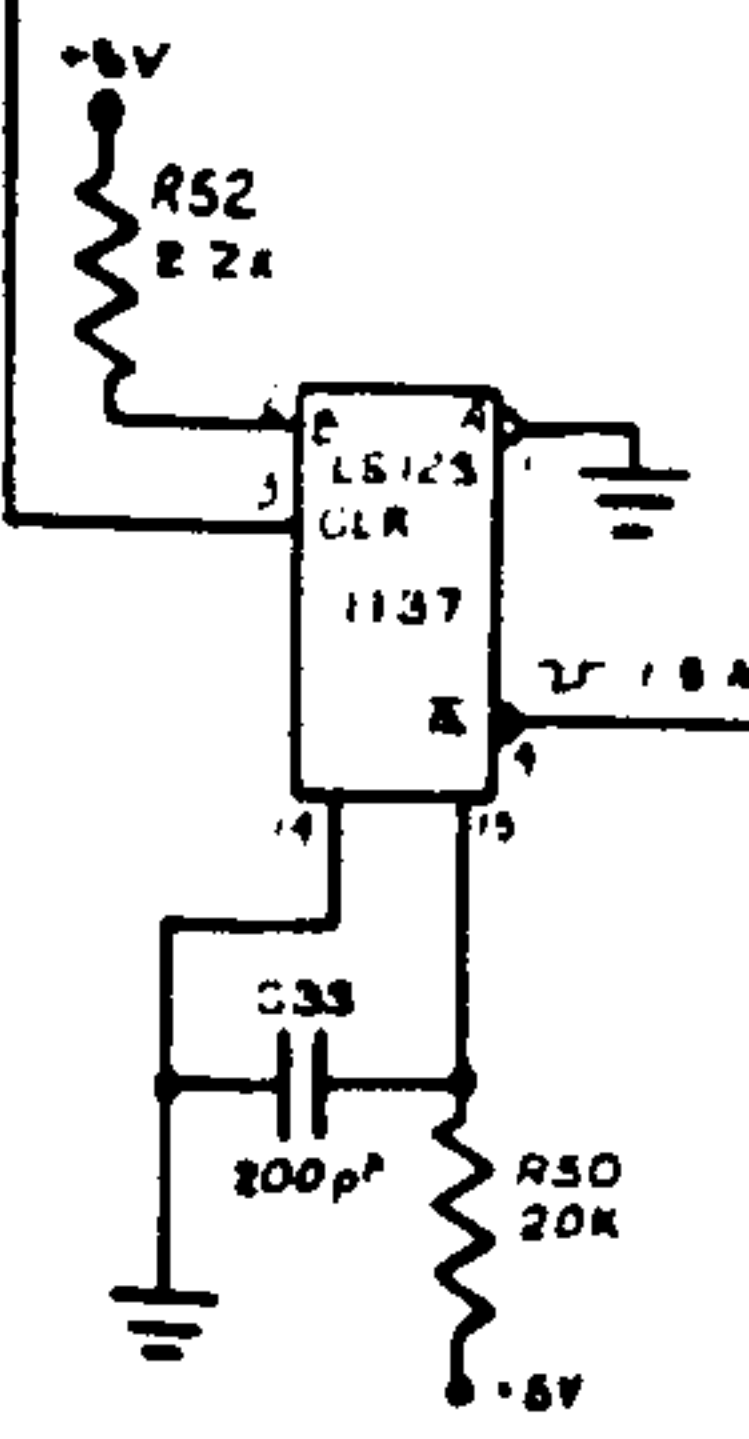
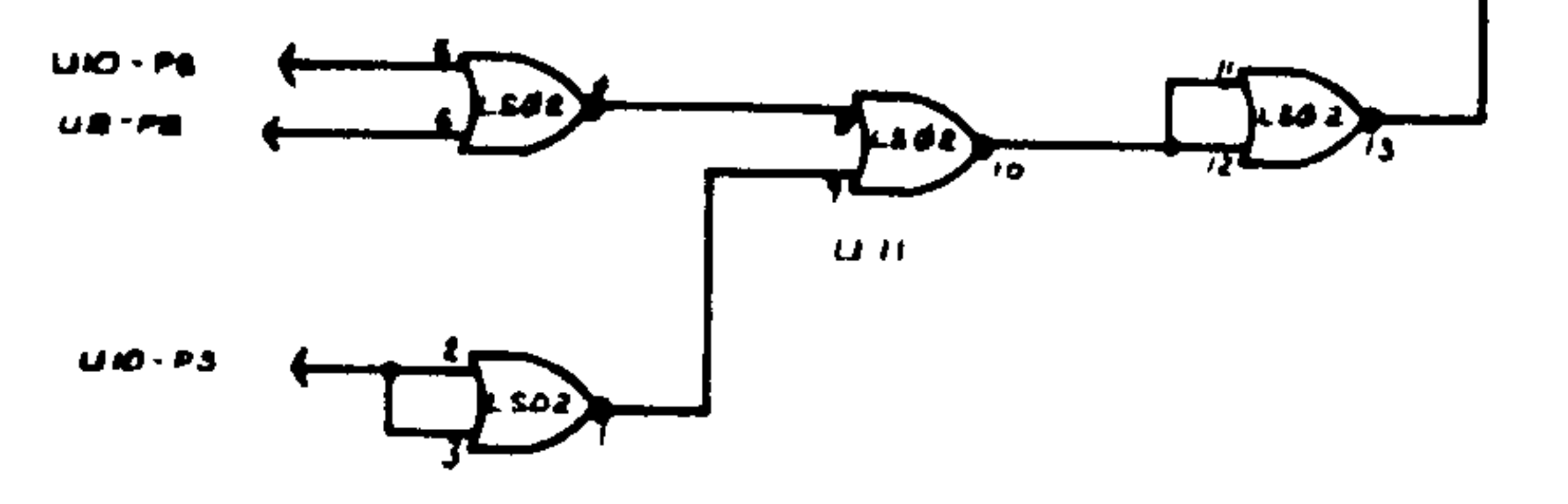
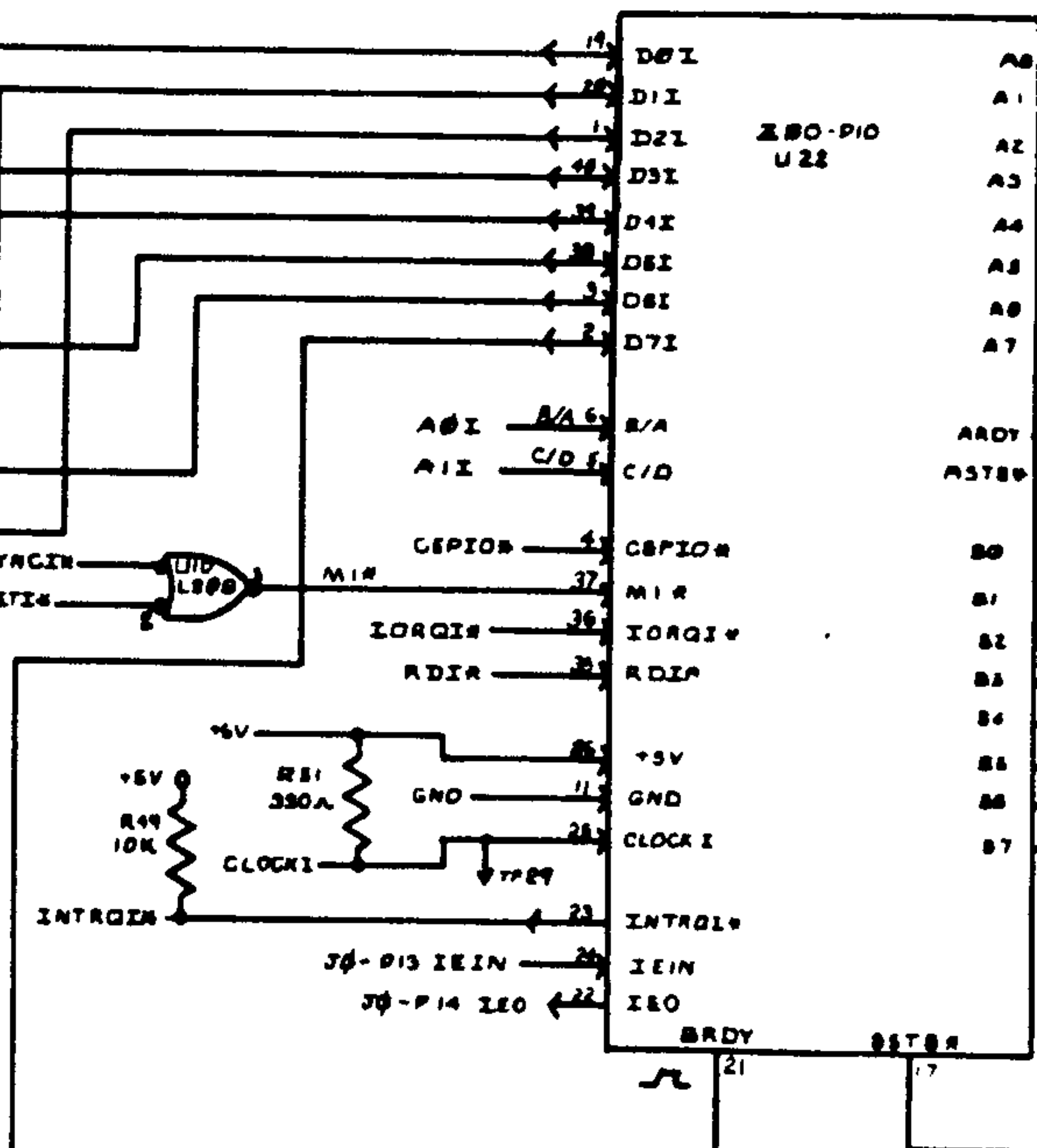
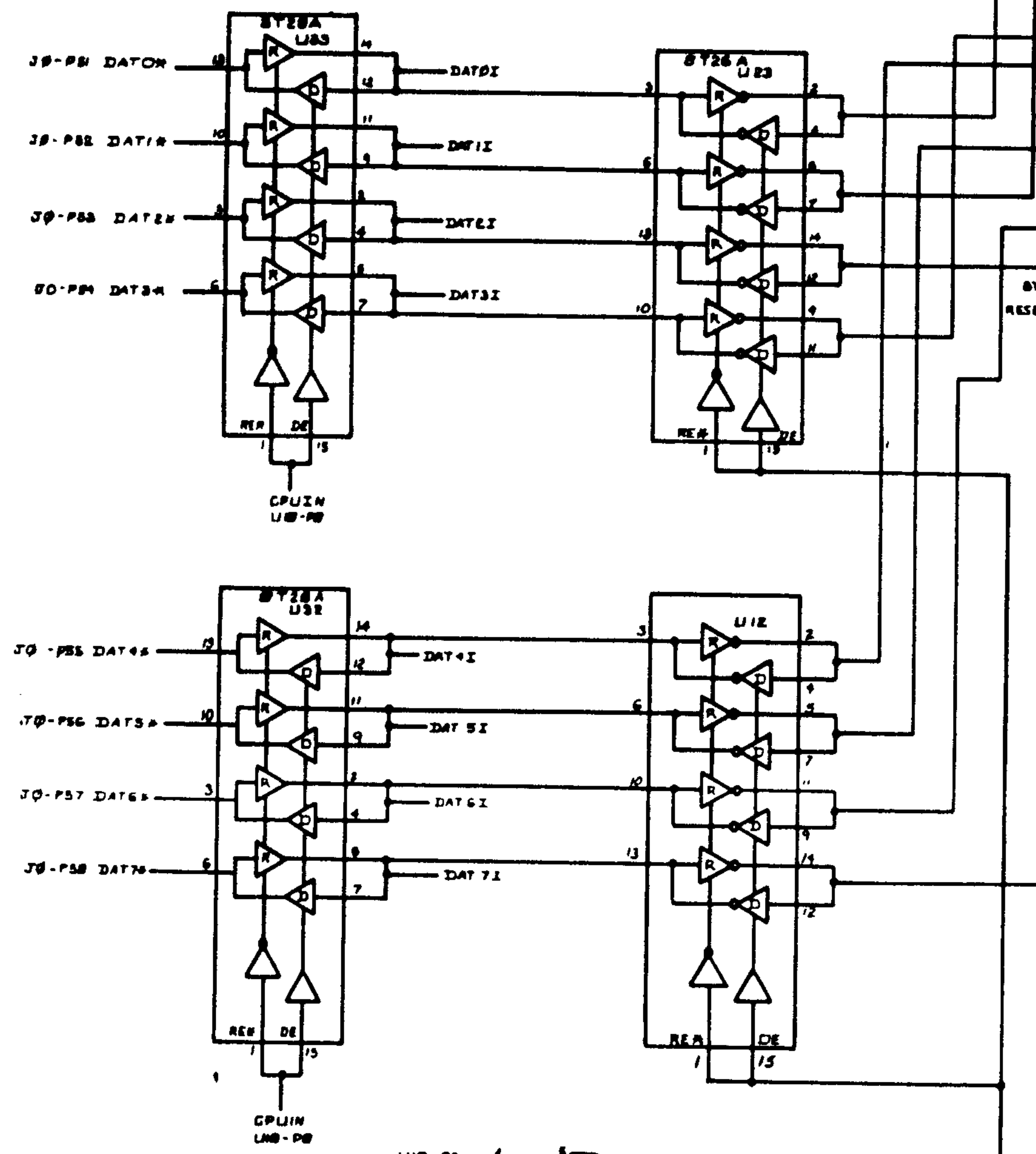
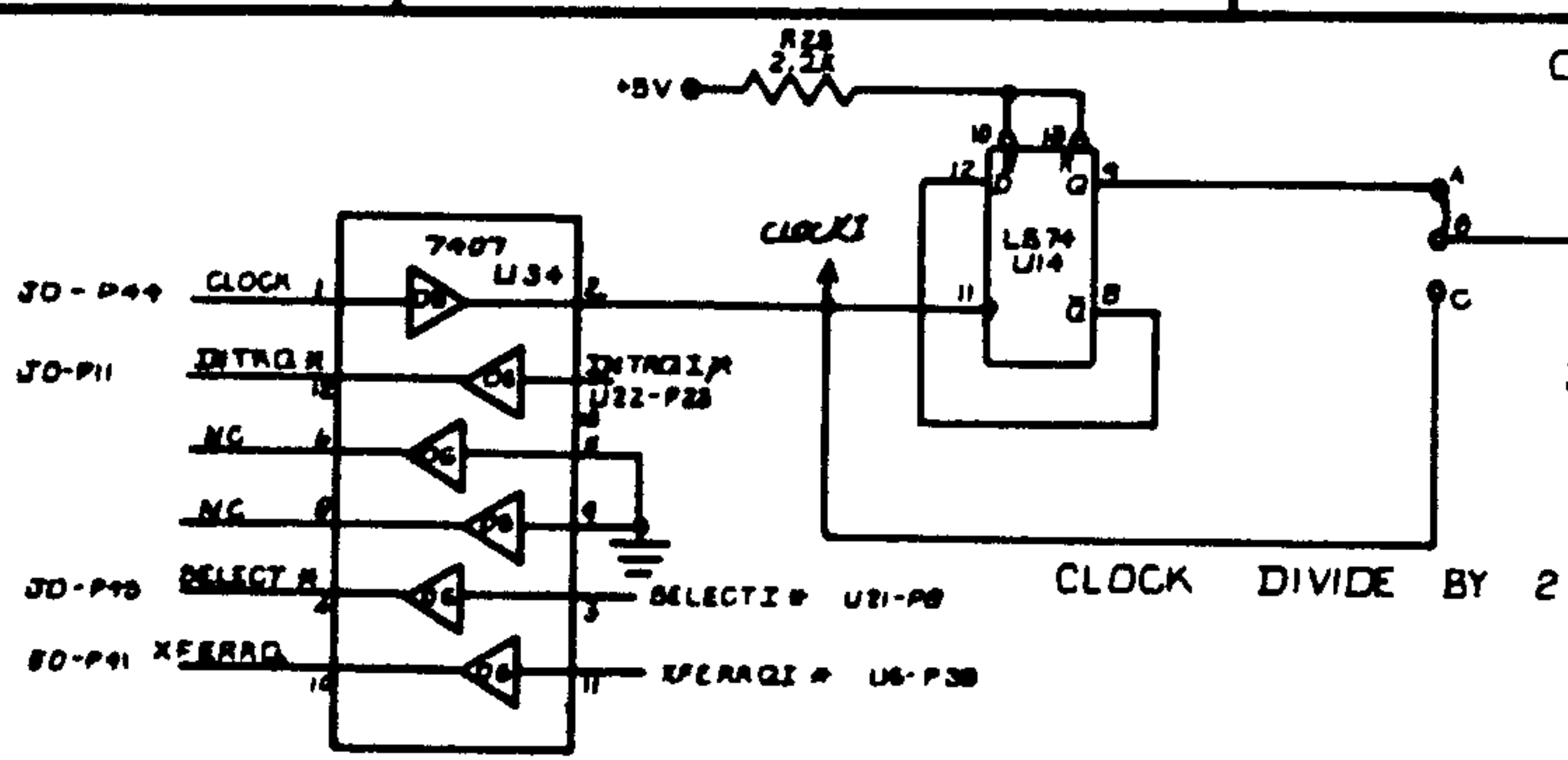
PROPRIETARY INFORMATION

THE INFORMATION CONTAINED HEREIN IS PROPRIETARY AND IS THE PROPERTY OF TANDY CORPORATION. NO REPRODUCTION OR DISSEMINATION MAY BE MADE WITHOUT THE EXPRESS WRITTEN PERMISSION OF TANDY CORPORATION, 1000 TWO THUMB CENTER, FORT WORTH, TX 76102.



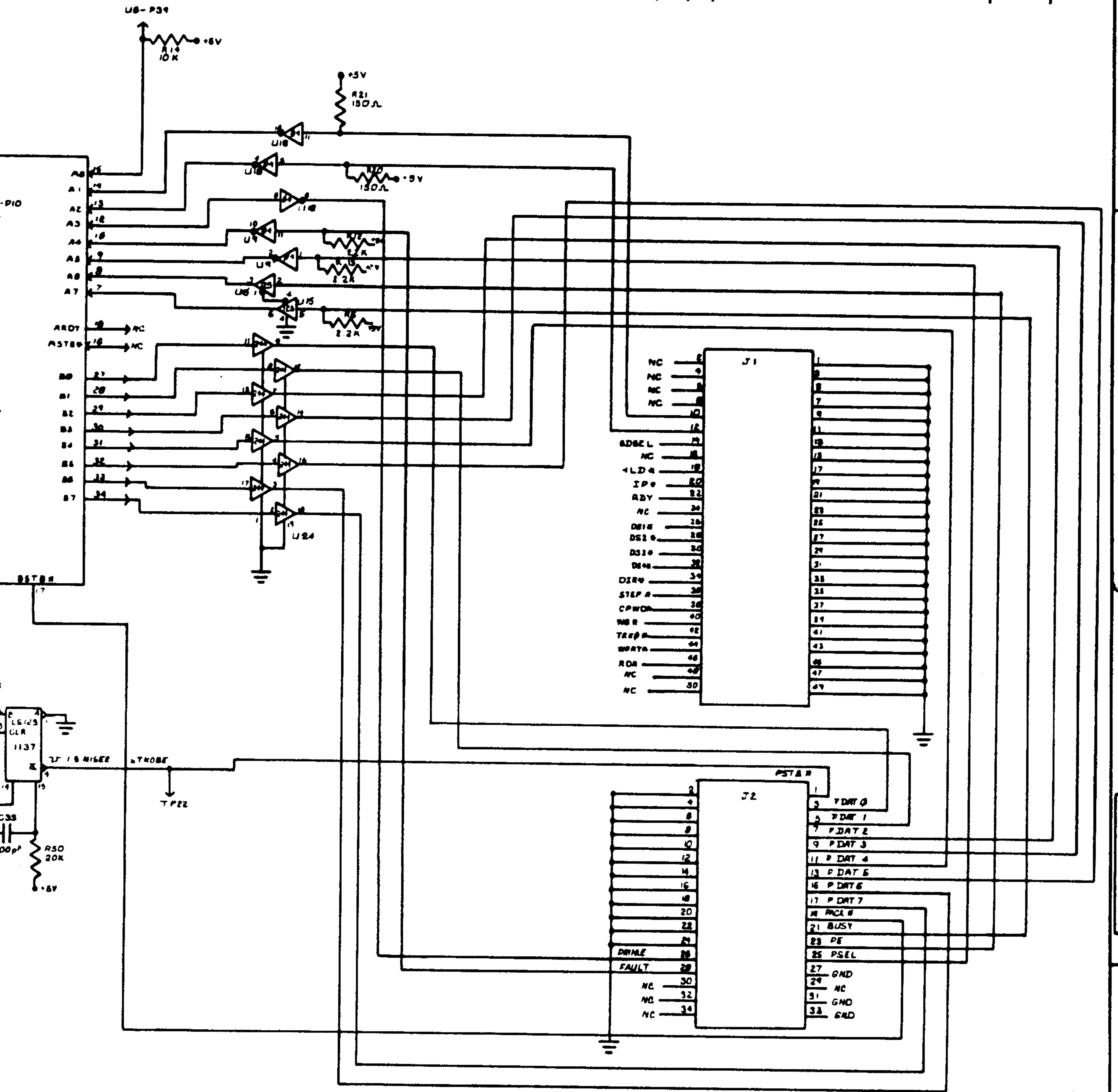
UNLESS OTHERWISE SPECIFIED DIMENSIONS ARE IN INCHES TOLERANCES: FRACTIONAL: 1/64 ANGLES: 1° TWO PLACE DECIMAL: .010 THREE PLACE DECIMAL: .005 DO NOT SCALE THIS DRAWING		DRAWN: V. TERRY CHECKED: [Signature] DESIGN ENGINEER: SAM SAWYER PROJECT ENGINEER: [Signature] CHIEF ENGINEER: [Signature]	DATE: 7-18-77 DATE: [Blank] DATE: 11/14/77 DATE: 5/28/77 DATE: [Blank] DATE: [Blank]	tandy SYSTEMS DESIGN 2725 West Seventh Street Fort Worth, Texas 76107 FDC-PRINTER INTERFACE BOARD
PART NUMBER: 25-1002 PART NUMBER: 26-1001 NEXT ASSEMBLY: USED ON APPLICATION: [Blank]	MANUFACTURED: [Blank] GENERAL MANAGER: [Blank]	DRAWING NO: 8000042 SCALE: 172A SHEET: 1 OF 2	DATE: [Blank]	REV: G1

CONTINUED ON SHEET 1



PROPRIETARY
 THE INFORMATION CONTAINED
 HEREIN IS CONFIDENTIAL AND
 IS THE PROPERTY OF TANDY
 CORPORATION. NO REPRODUCTION
 OR DISSEMINATION OF THIS
 INFORMATION IS PERMITTED
 WITHOUT THE AUTHORIZATION OF TANDY
 CORPORATION, TANDY CENTER, FORT
 WORTH, TEXAS 76102

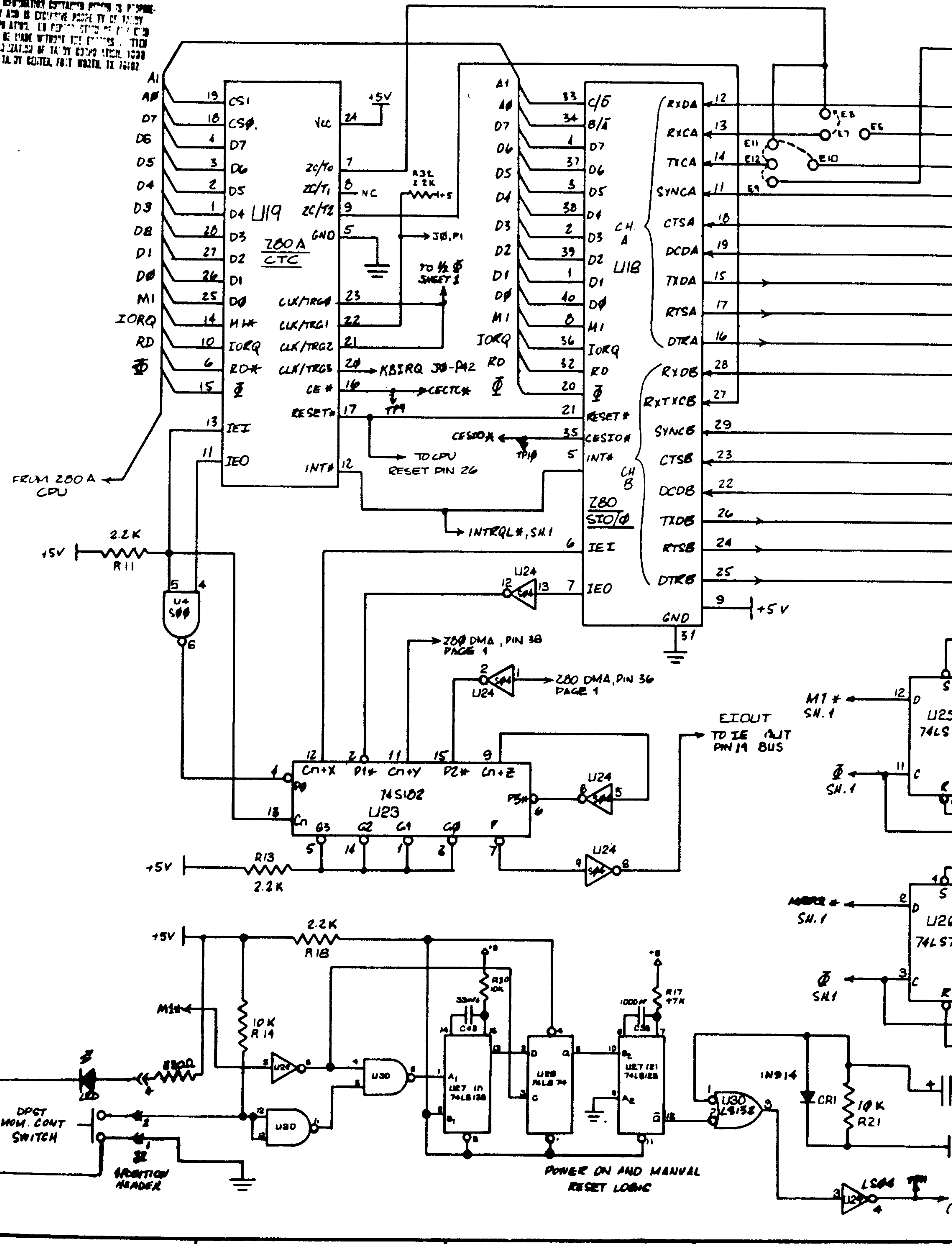
REVISIONS				
DATE	BY	DESCRIPTION	DATE	APPROVED
4C	C	1. ADDED U37 R54 C55	12-3-79	
7C		2. ADDED R38		

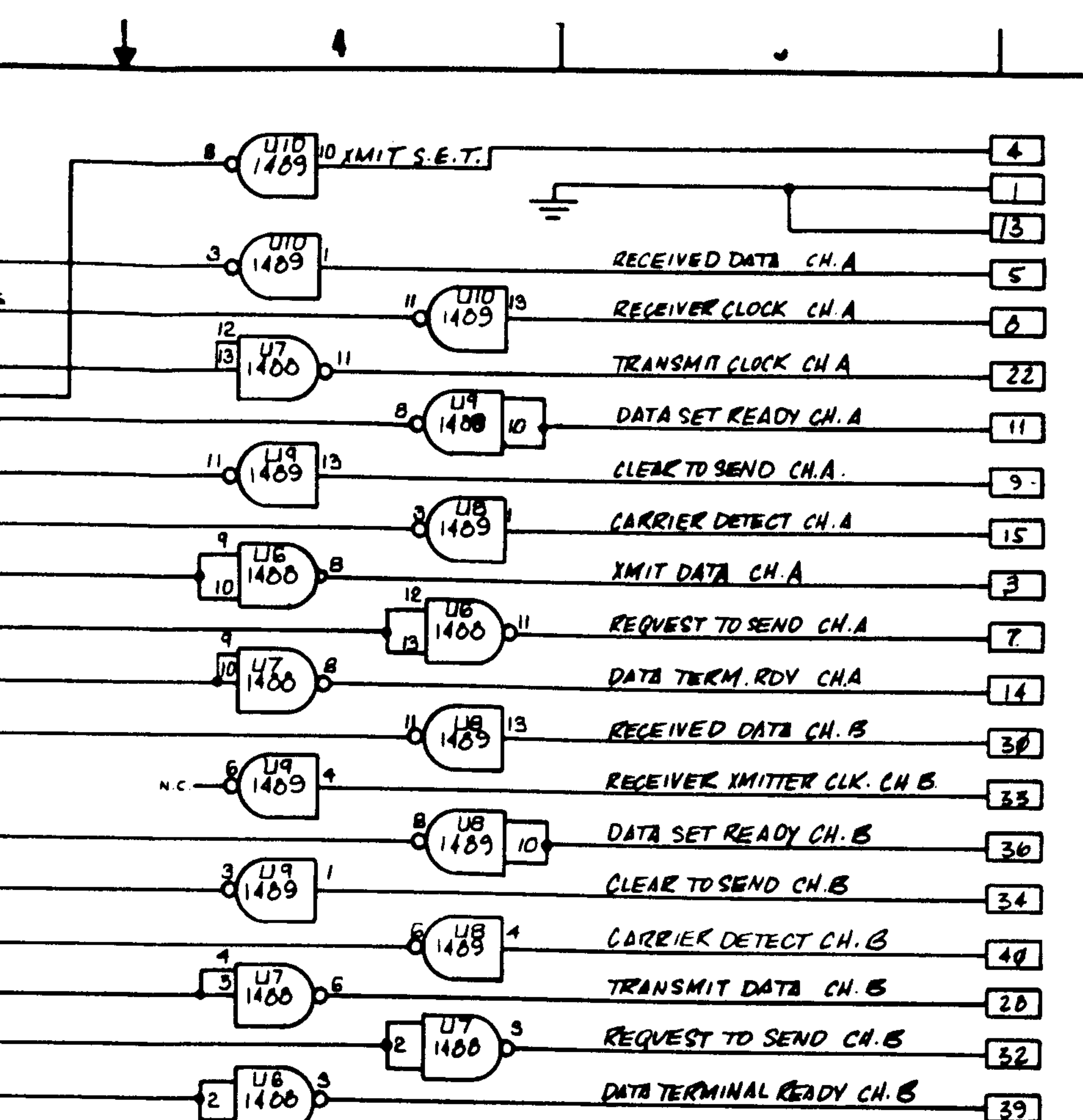


PROPRIETARY INFORMATION
 INFORMATION CONTAINED HEREIN IS THE
 PROPERTY OF TANDY CORPORATION AND IS
 NOT TO BE REPRODUCED OR TRANSMITTED
 IN ANY FORM OR BY ANY MEANS, ELECTRONIC
 OR MECHANICAL, INCLUDING PHOTOCOPYING,
 RECORDING, OR BY ANY INFORMATION
 STORAGE AND RETRIEVAL SYSTEM, WITHOUT
 THE EXPRESS WRITTEN PERMISSION OF
 TANDY CORPORATION, 1900
 TANDY CENTER, FORT WORTH, TX 76102.

UNLESS OTHERWISE SPECIFIED DIMENSIONS ARE IN INCHES TOLERANCES FRACTIONAL 1/64 ANGLES 1° TWO PLACE DECIMAL 0.01 THREE PLACE DECIMAL 0.001 DO NOT SCALE THIS DRAWING		DRAWN V. TONY DATE 7-18-79	tandy SYSTEMS DESIGN 3725 West Seventh Street Fort Worth, Texas 76107	
CHECKED		DESIGN ENGINEER SAM SAWYER DATE 11/17/79	TITLE FDC PRINTER INTERFACE BOARD	
REVISIONS		PROJECT ENGINEER	DRAWING NO. 800042	
NEXT ASSEMBLY		CHIEF ENGINEER	DRAWN D	
USED ON		MANUFACTURING	SHEET 2 OF 2	
APPLICATION		GENERAL MANAGER		

ALL INFORMATION CONTAINED HEREIN IS PROPRIETARY AND IS EXCLUSIVE PROPERTY OF TAI. ANY REPRODUCTION OR DISSEMINATION OF THIS INFORMATION WITHOUT THE EXPRESS WRITTEN PERMISSION OF TAI BY 00790 (MCH, 1099) IS A VIOLATION OF TAI BY 00790 (MCH, 1099) AND TAI BY 00790 (MCH, 1099).

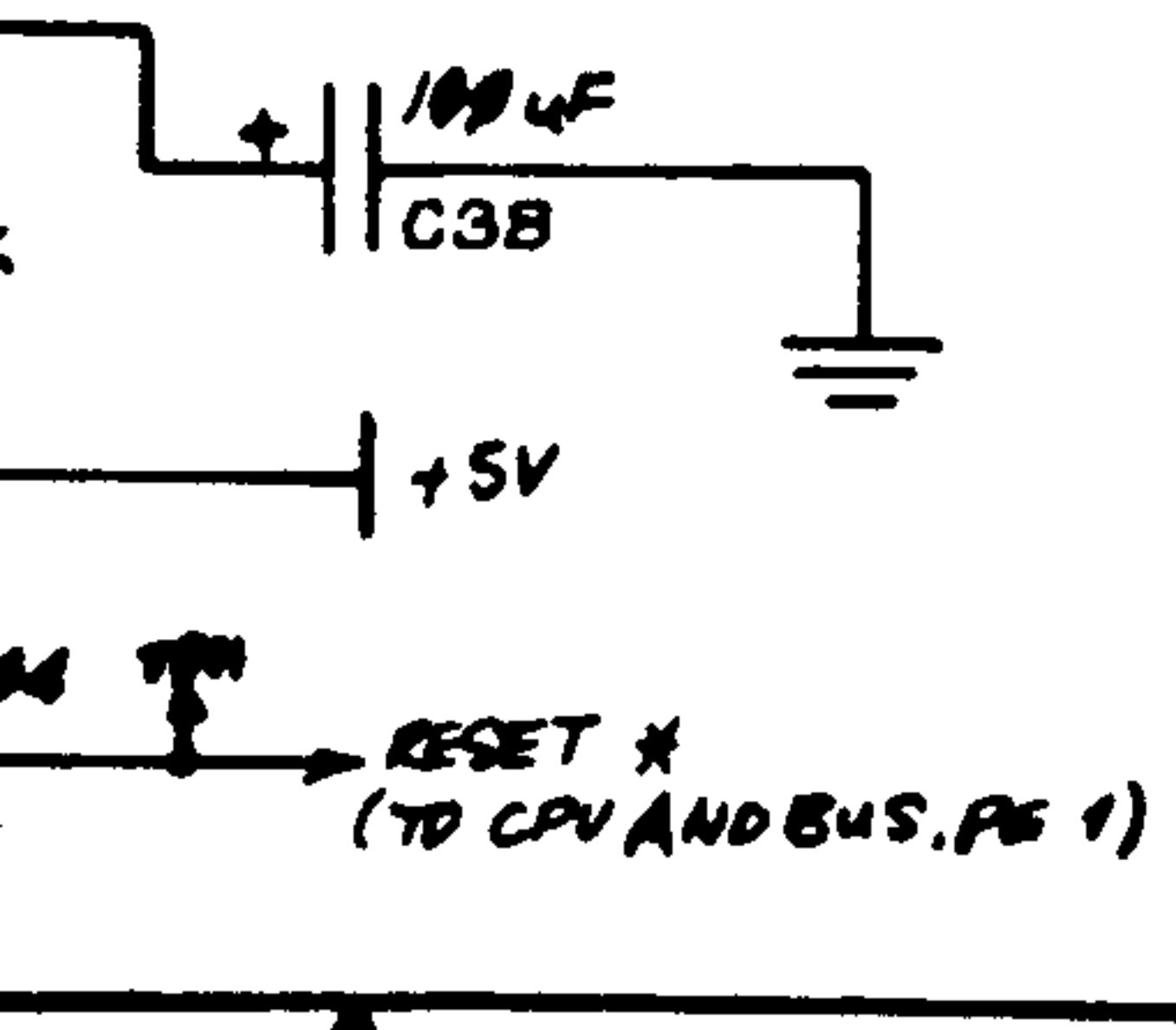
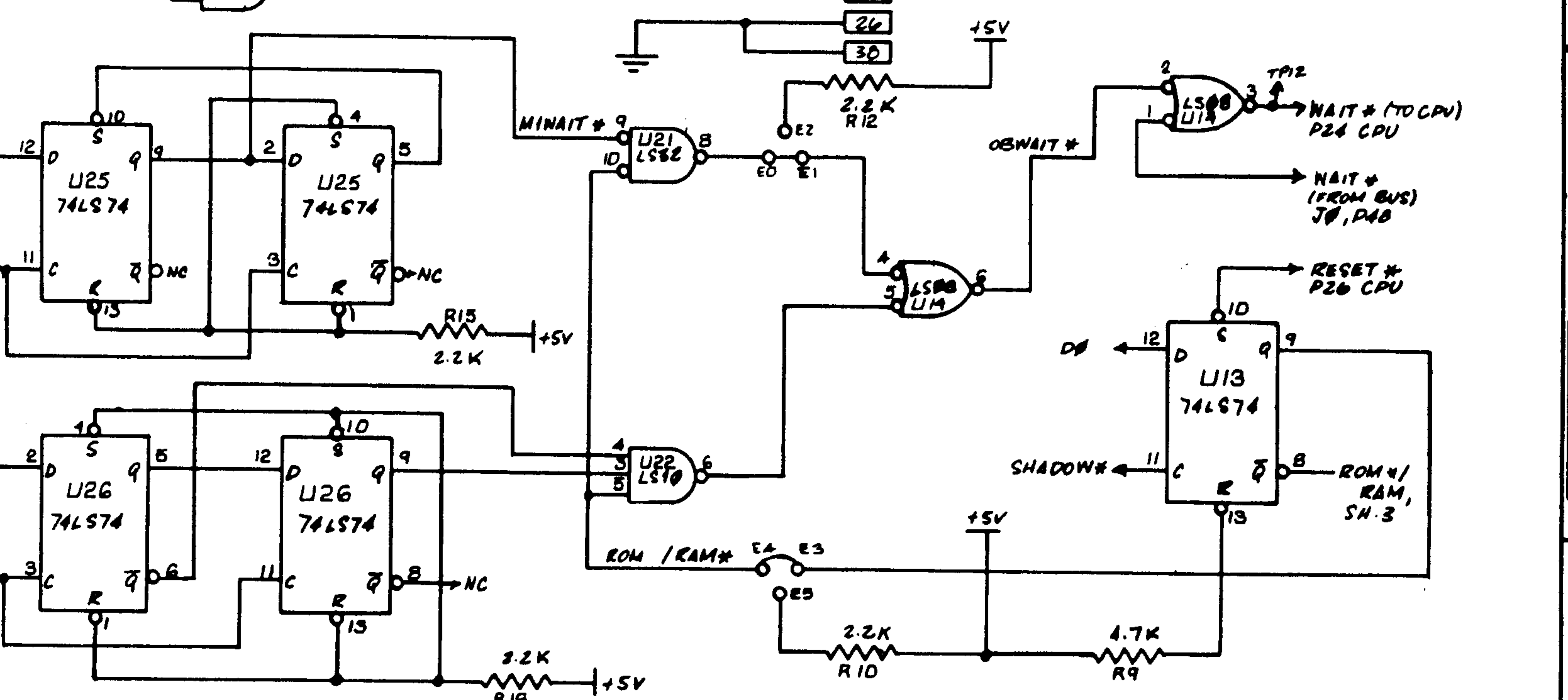




REVISIONS				
DATE	BY	DESCRIPTION	DATE	APPROVED
12-28	TC	ADDED U4 DESIGNATION		
12-28		DELETED JUMPER PINS E13 - E15		

J1

4 TEST POINTS THIS SHEET TP9 → TP12

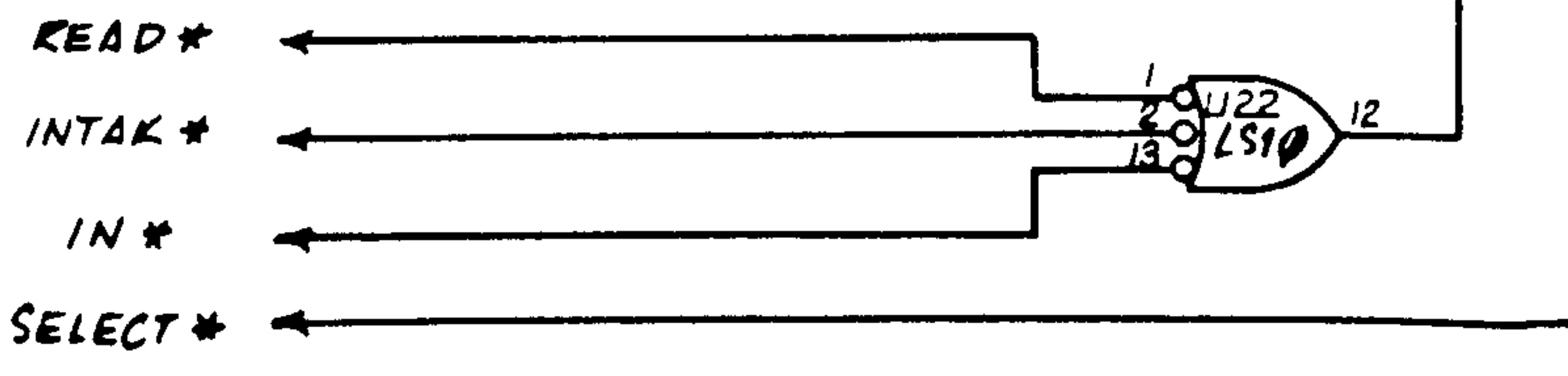
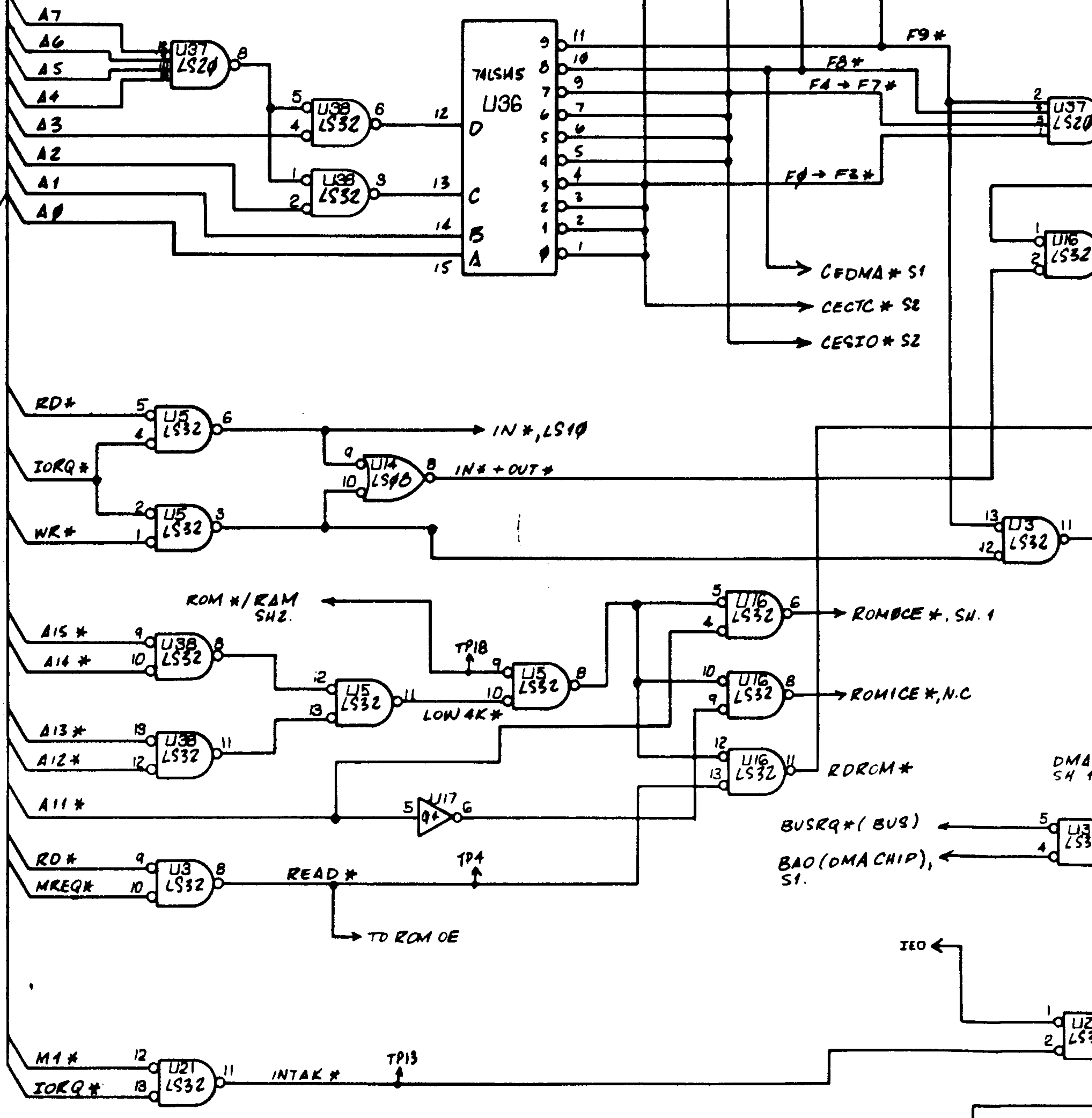
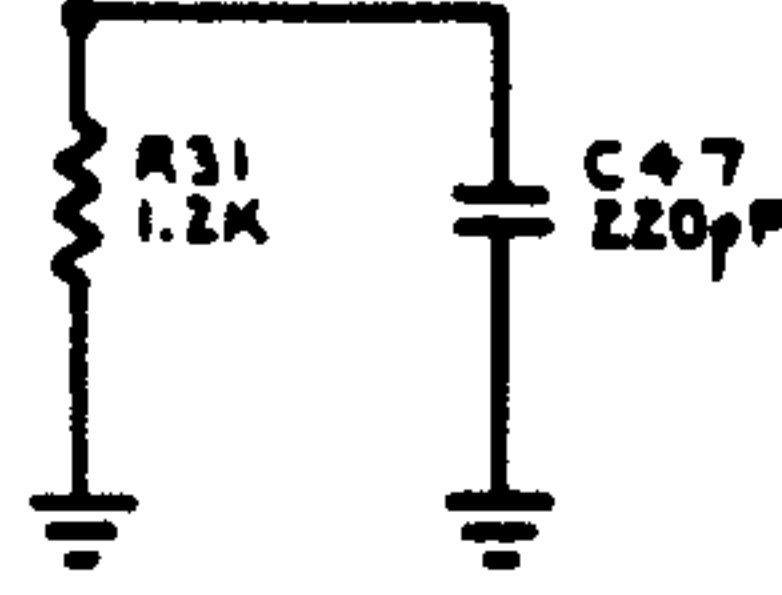
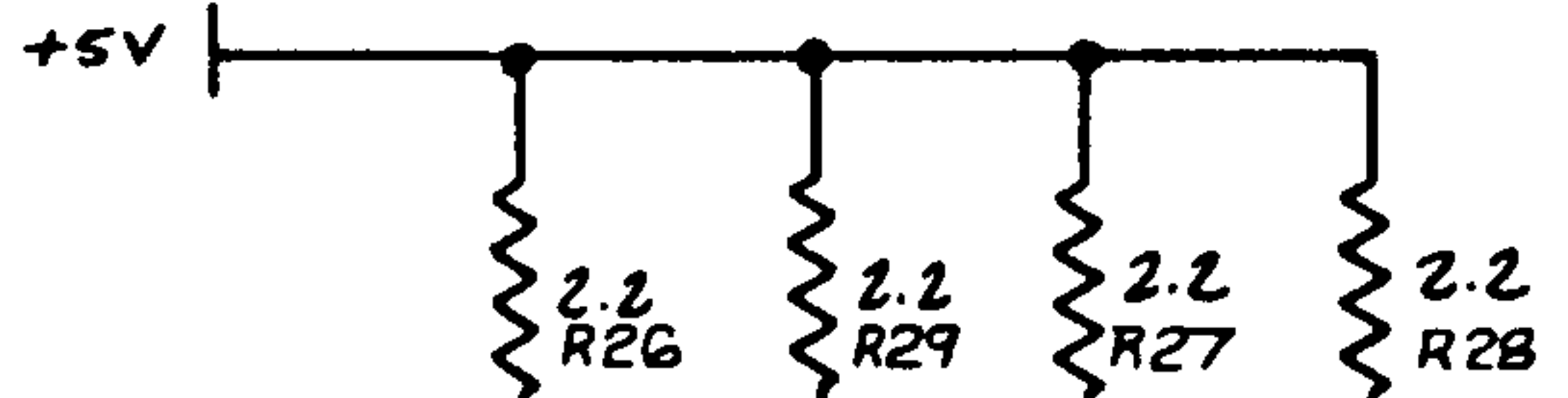


UNLESS OTHERWISE SPECIFIED DIMENSIONS ARE IN INCHES TOLERANCES: FRACTIONAL ± 1/64 ANGLES ± 1° TWO PLACE DECIMAL ± .010 THREE PLACE DECIMAL ± .005 DO NOT SCALE THIS DRAWING		DRAWN <i>Michael Wipal</i>	DATE 1-2-79	
MATERIAL		CHECKED	DATE	
DESIGN ENGINEER SAM SANBER	DATE	PROJECT ENGINEER	DATE	TITLE CPU MODULE MODEL II
CHIEF ENGINEER	DATE	MANUFACTURING	DATE	
GENERAL MANAGER	DATE		DATE	
REV D	DRWG NO. 8000051	REV D		
NEXT ASSEMBLY		USED ON		DATE
APPLICATION				SHEET 2 OF 2

PROPRIETARY INFORMATION

THIS INFORMATION CONTAINS TRADE SECRETS AND IS THE PROPERTY OF TANDY CORPORATION. NO DISSEMINATION OF ANY KIND MAY BE MADE WITHOUT THE EXPRESS WRITTEN AUTHORIZATION OF TANDY CORPORATION, 1000 TWO TANDY CENTER, FORT WORTH, TX 76102.

BUSSED DATA LINES FROM Z80 A CPU



FR CPU

DMA SH 1

4

3

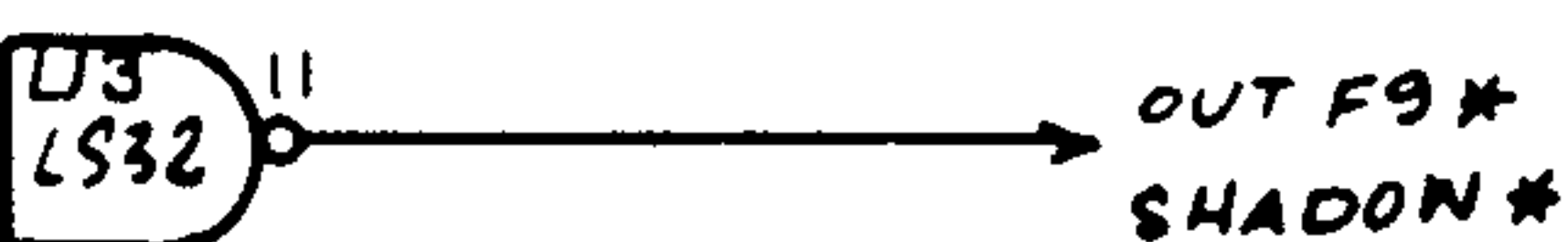
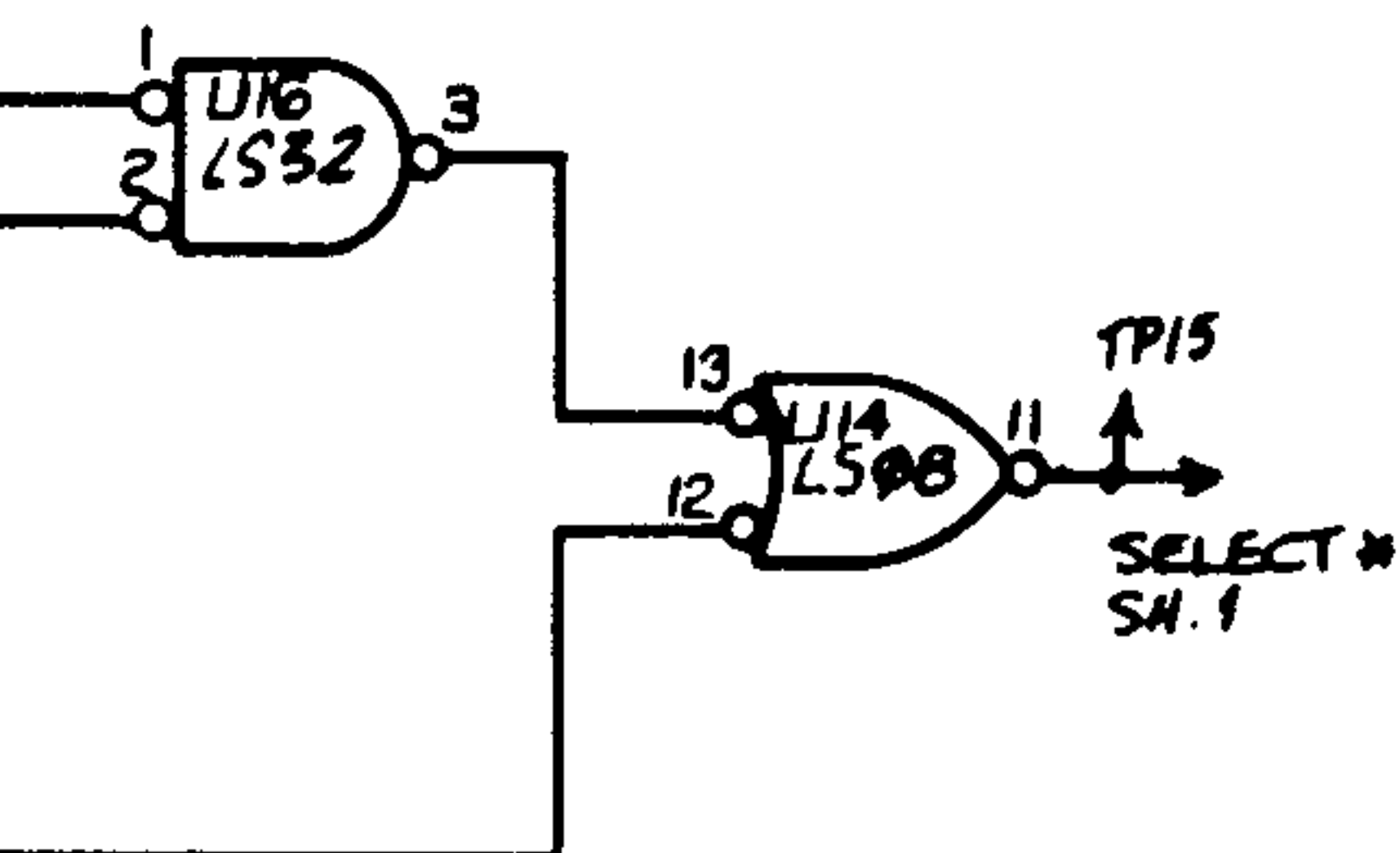
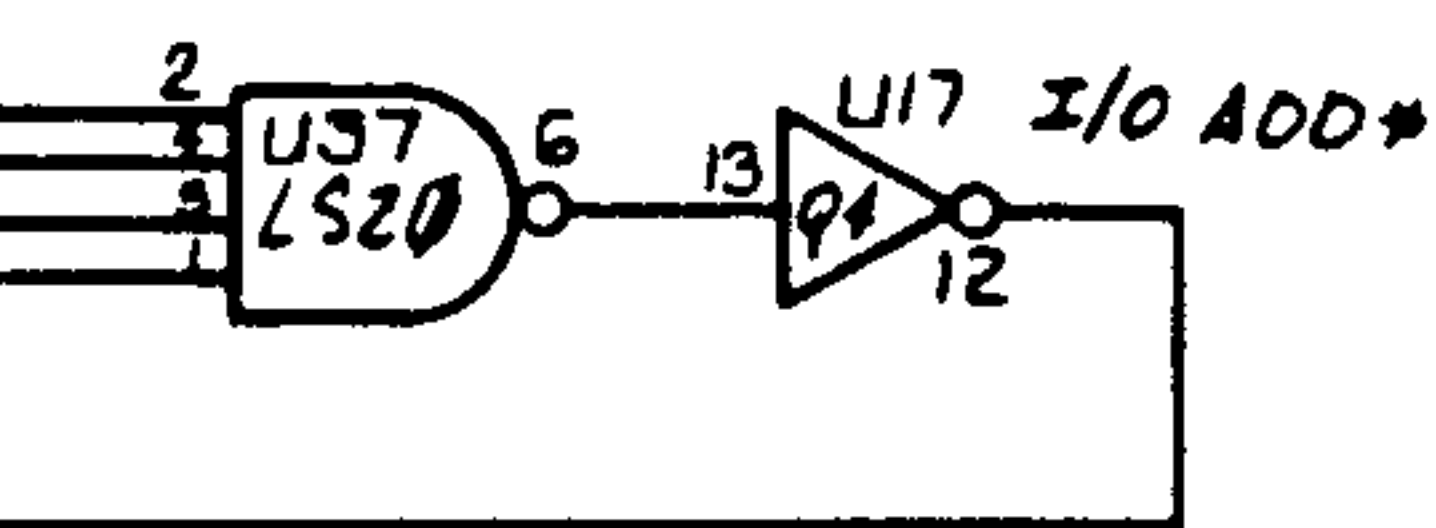
2

1

REVISIONS

NO.	DATE	APPROVED	DESCRIPTION
6			
5			
78			
77			
76			
75			
51			
1			
2			
52			

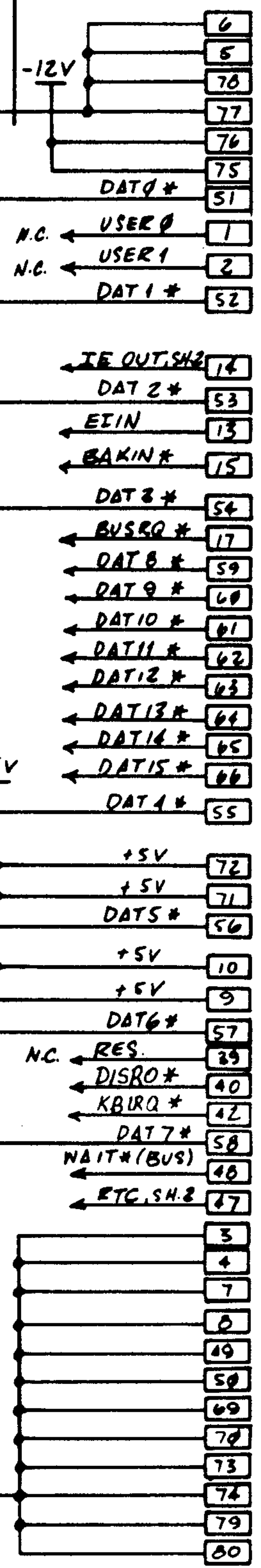
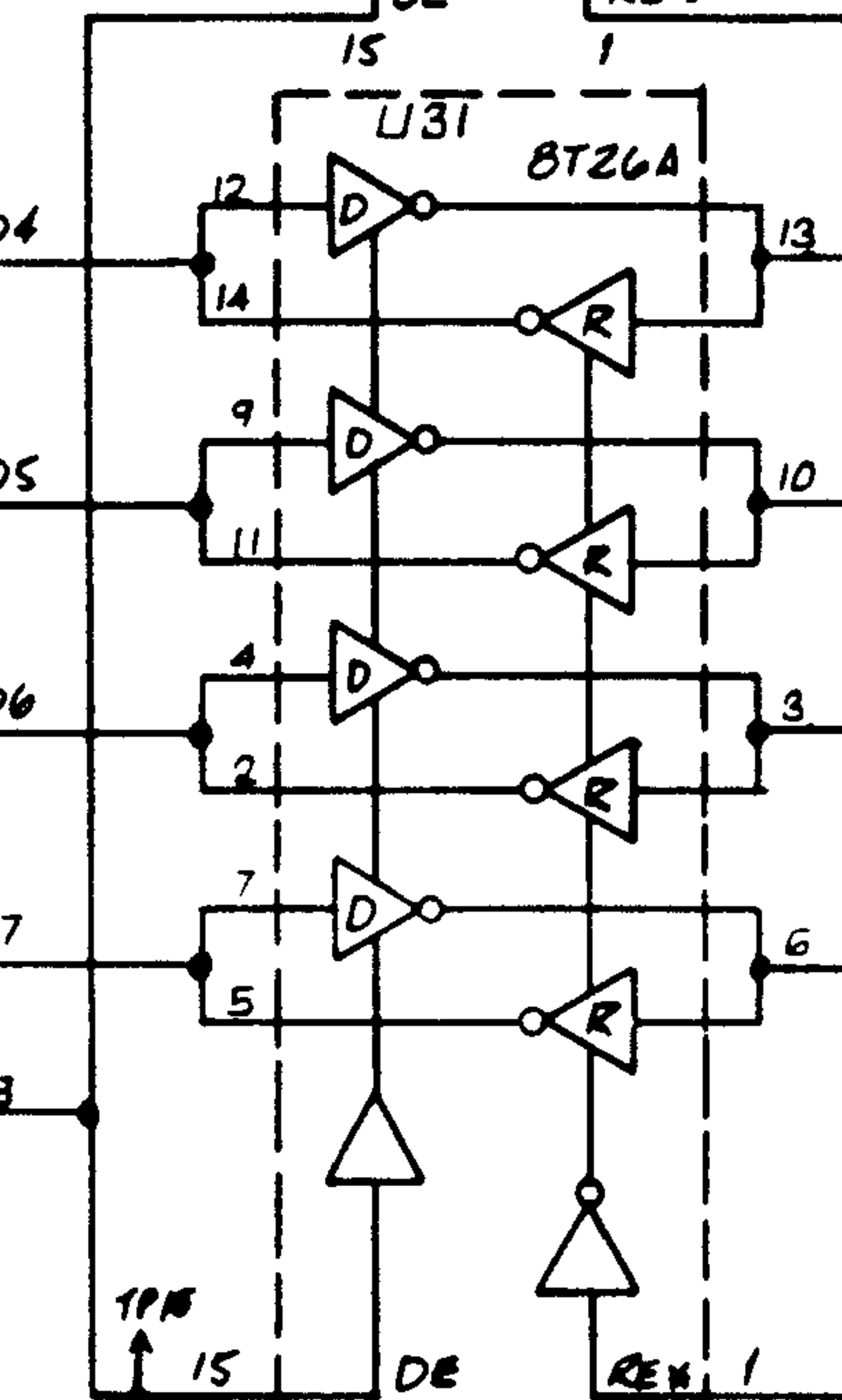
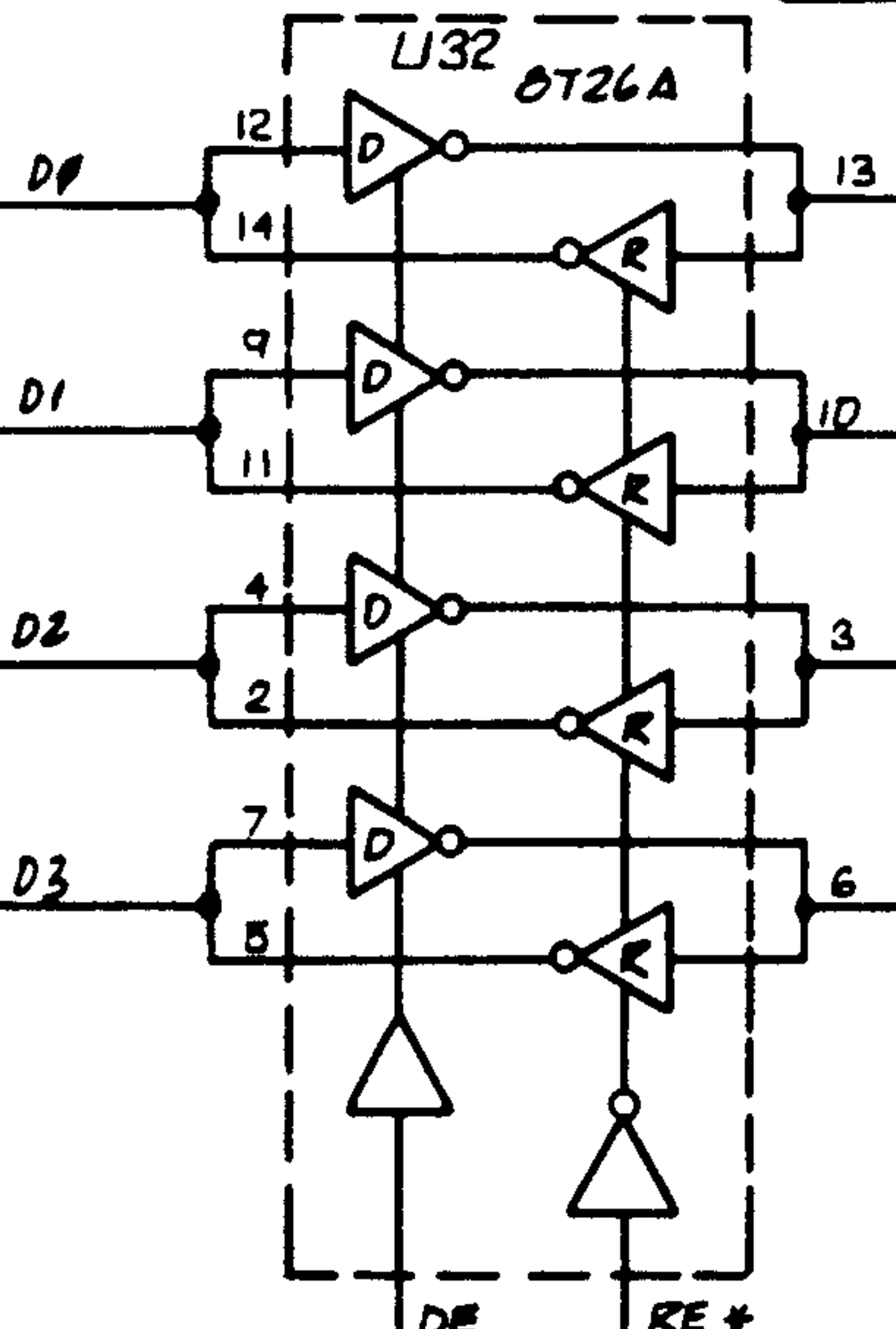
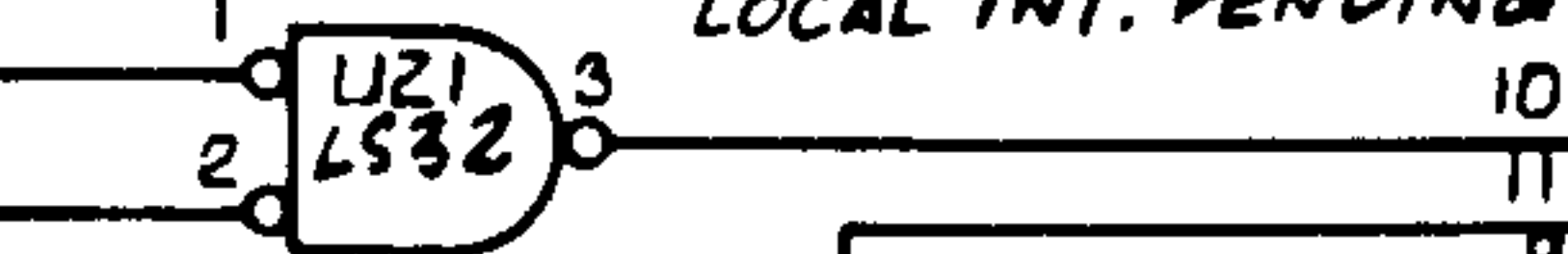
FROM Z80 A CPU BUSSED LINES



DMA EXT* SH.1



LOCAL INT. PENDING



6 TEST POINTS THIS SHEET TP15 -> TP18

UNLESS OTHERWISE SPECIFIED DIMENSIONS ARE IN INCHES TOLERANCES FRACTIONAL ± 1/64 ANGLES ± 1° TWO PLACE DECIMAL ± .010 THREE PLACE DECIMAL ± .005 DO NOT SCALE THIS DRAWING		DRAWN: <i>Michael Wifal</i> DATE: 1/10/79 CHECKED: _____ DATE: _____ DESIGN ENGINEER: SAM SAWYER DATE: _____ PROJECT ENGINEER: _____ DATE: _____ CHIEF ENGINEER: _____ DATE: _____ MANUFACTURING: _____ DATE: _____ GENERAL MANAGER: _____ DATE: _____	tandy SYSTEMS DESIGN 2725 West Seventh Street Fort Worth, Texas 76107 CPU MODULE MODEL II DRAWING NO. 8000051
NEXT ASSEMBLY: _____ USED ON: _____ APPLICATION: _____	MATERIAL: _____ PART NO.: _____ QUANTITY: _____ UNIT PRICE: _____ TOTAL PRICE: _____	SHEET: _____ OF: _____	