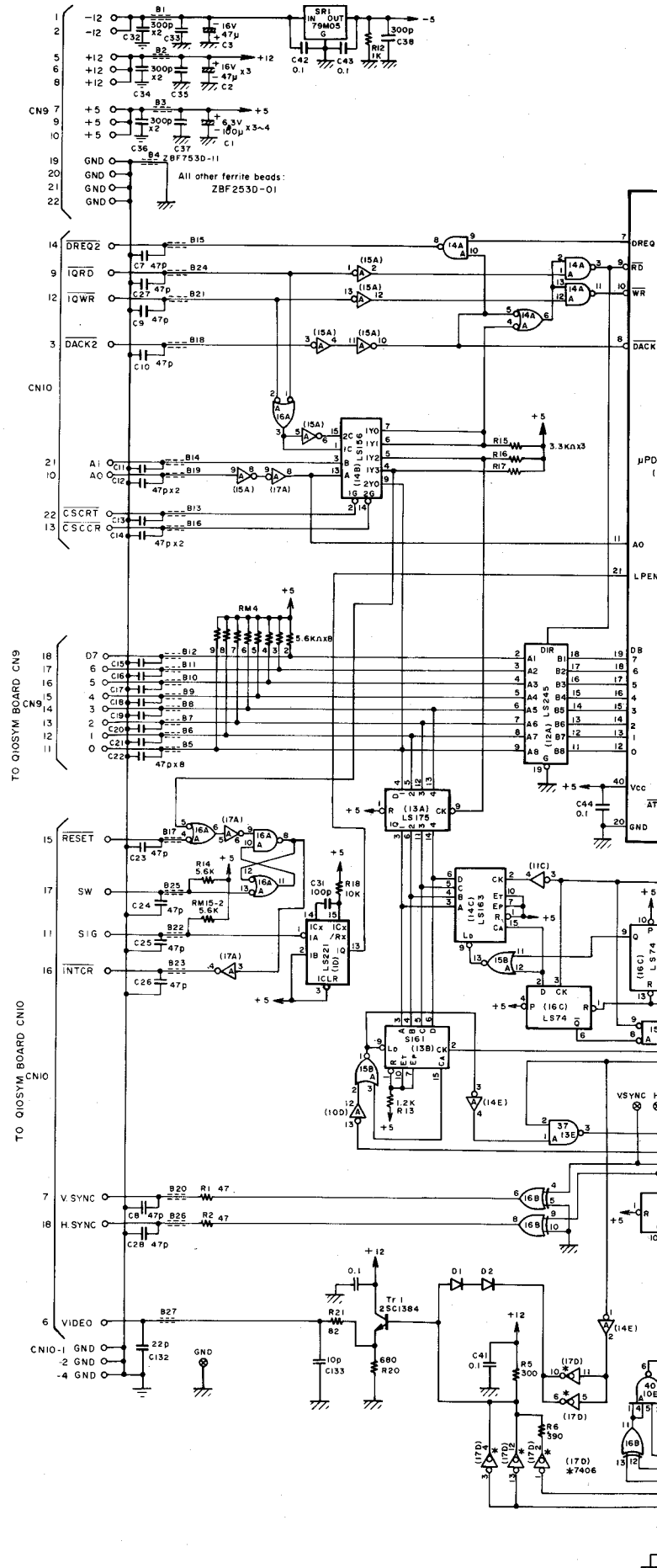


QC(X)-10 LAYOUT



TO QIOSYM BOARD CN9

TO QIOSYM BOARD CN10

CN10-1 GND

-2 GND

-4 GND

GND

GND

GND

GND

GND

GND

GND

GND

GND

GND

GND

GND

GND

GND

GND

GND

GND

GND

GND

GND

GND

GND

GND

GND

GND

GND

GND

GND

GND

GND

GND

GND

GND

GND

GND

GND

GND

GND

GND

GND

GND

GND

GND

GND

GND

GND

GND

GND

GND

GND

GND

GND

GND

GND

GND

GND

GND

GND

GND

GND

GND

GND

GND

GND

GND

GND

GND

GND

GND

GND

GND

GND

GND

GND

GND

GND

GND

GND

GND

GND

GND

GND

GND

GND

GND

GND

GND

GND

GND

GND

GND

GND

GND

GND

GND

GND

GND

GND

GND

GND

GND

GND

GND

GND

GND

GND

GND

GND

GND

GND

GND

GND

GND

GND

GND

GND

GND

GND

GND

GND

GND

GND

GND

GND

GND

GND

GND

GND

GND

GND

GND

GND

GND

GND

GND

GND

GND

GND

GND

GND

GND

GND

GND

GND

GND

GND

GND

GND

GND

GND

GND

GND

GND

GND

GND

GND

GND

GND

GND

GND

GND

GND

GND

GND

GND

GND

GND

GND

GND

GND

GND

GND

GND

GND

GND

GND

GND

GND

GND

GND

GND

GND

GND

GND

GND

GND

GND

GND

GND

GND

GND

GND

GND

GND

GND

GND

GND

GND

GND

GND

GND

GND

GND

GND

GND

GND

GND

GND

GND

GND

GND

GND

GND

GND

GND

GND

GND

GND

GND

GND

GND

GND

GND

GND

GND

GND

GND

GND

GND

GND

GND

GND

GND

GND

GND

GND

GND

GND

GND

GND

GND

GND

GND

GND

GND

GND

GND

GND

GND

GND

GND

GND

GND

GND

GND

GND

GND

GND

GND

GND

GND

GND

GND

GND

GND

GND

GND

GND

GND

GND

GND

GND

GND

GND

GND

GND

GND

GND

GND

GND

GND

GND

GND

GND

GND

GND

GND

GND

GND

GND

GND

GND

GND

GND

GND

GND

GND

GND

GND

GND

GND

GND

GND

GND

GND

GND

GND

GND

GND

GND

GND

GND

GND

GND

GND

GND

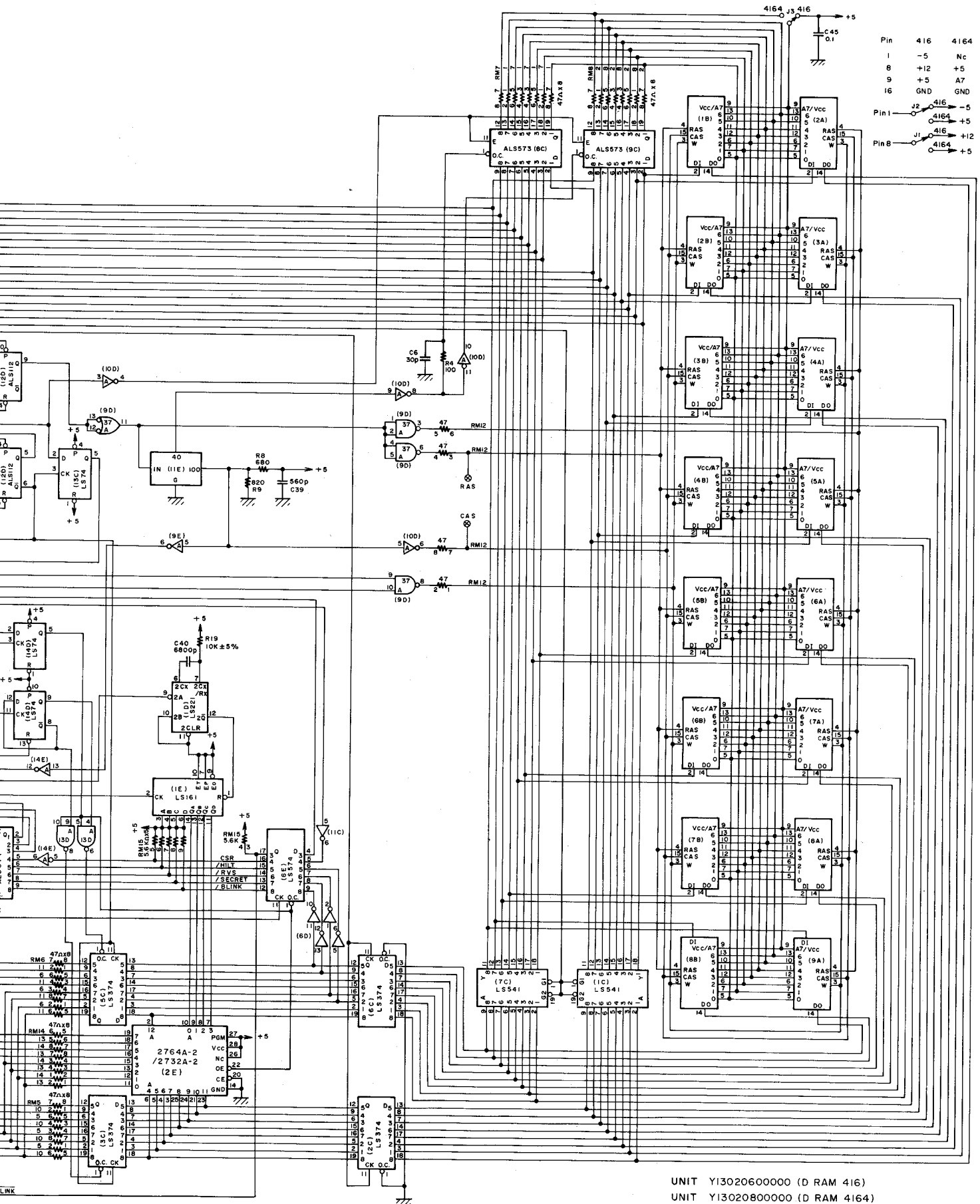
GND

GND

GND

GND

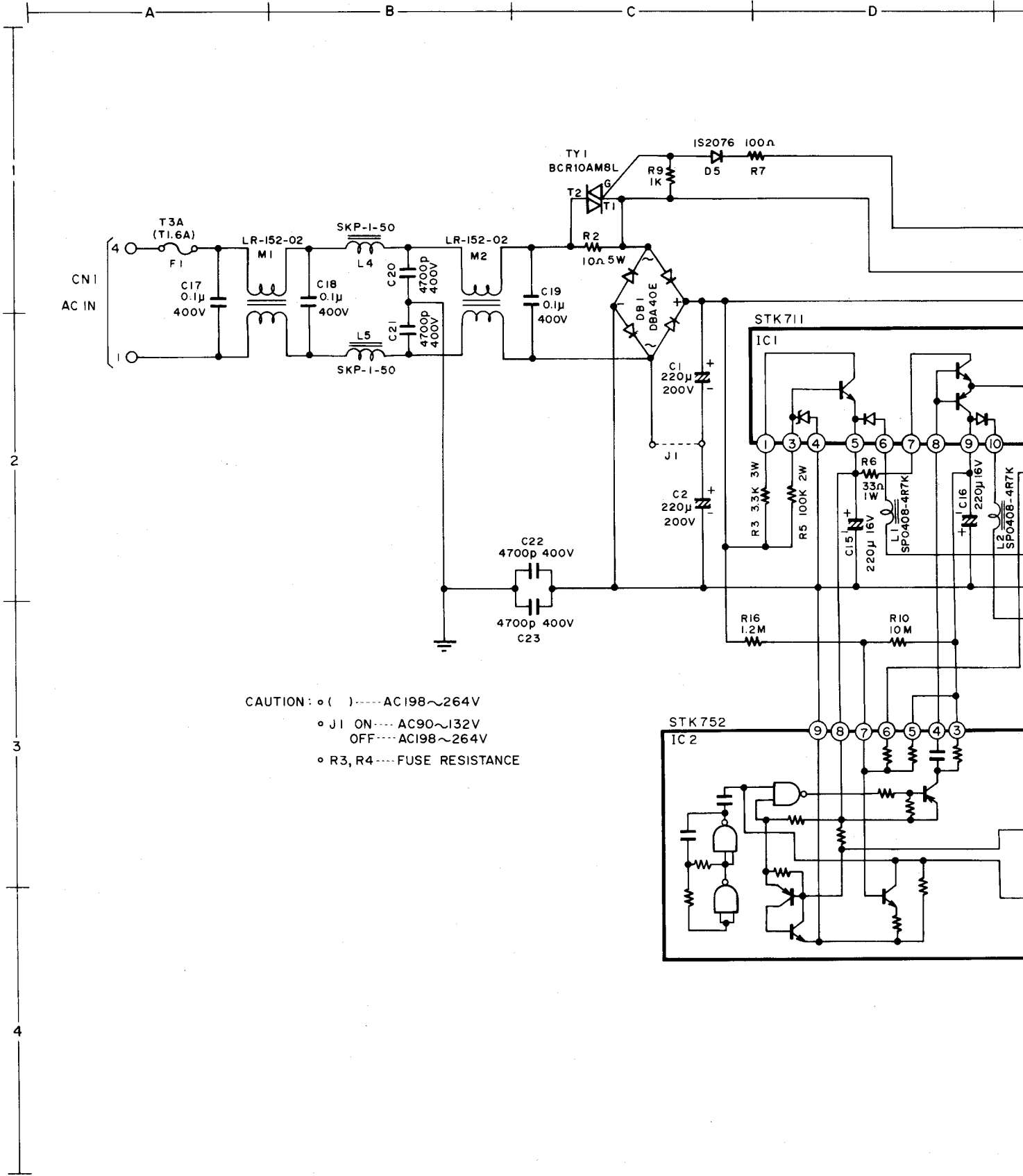
GND



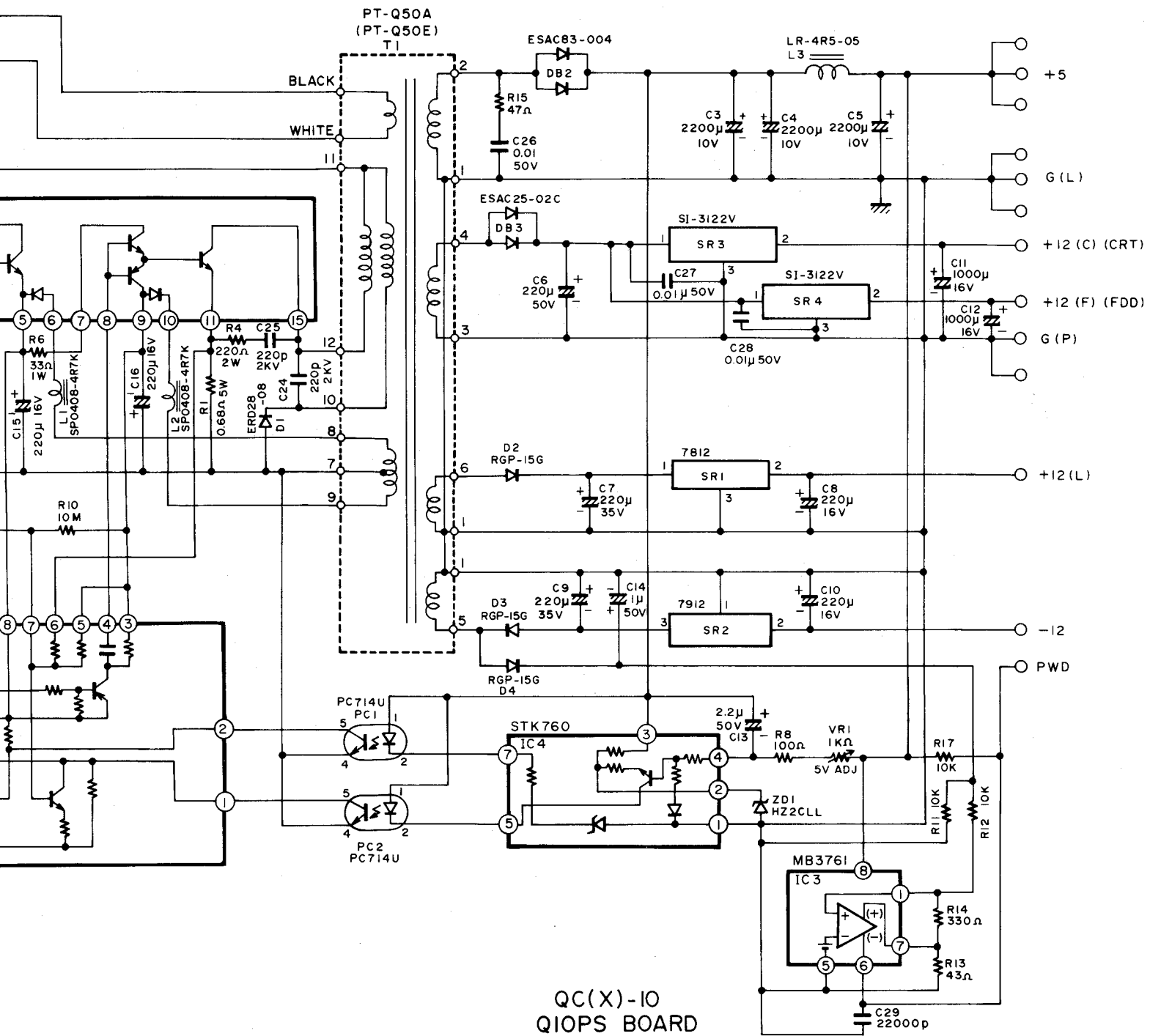
Pin	416	416A
1	-5	Nc
8	+12	+5
9	+5	A7
16	GND	GND

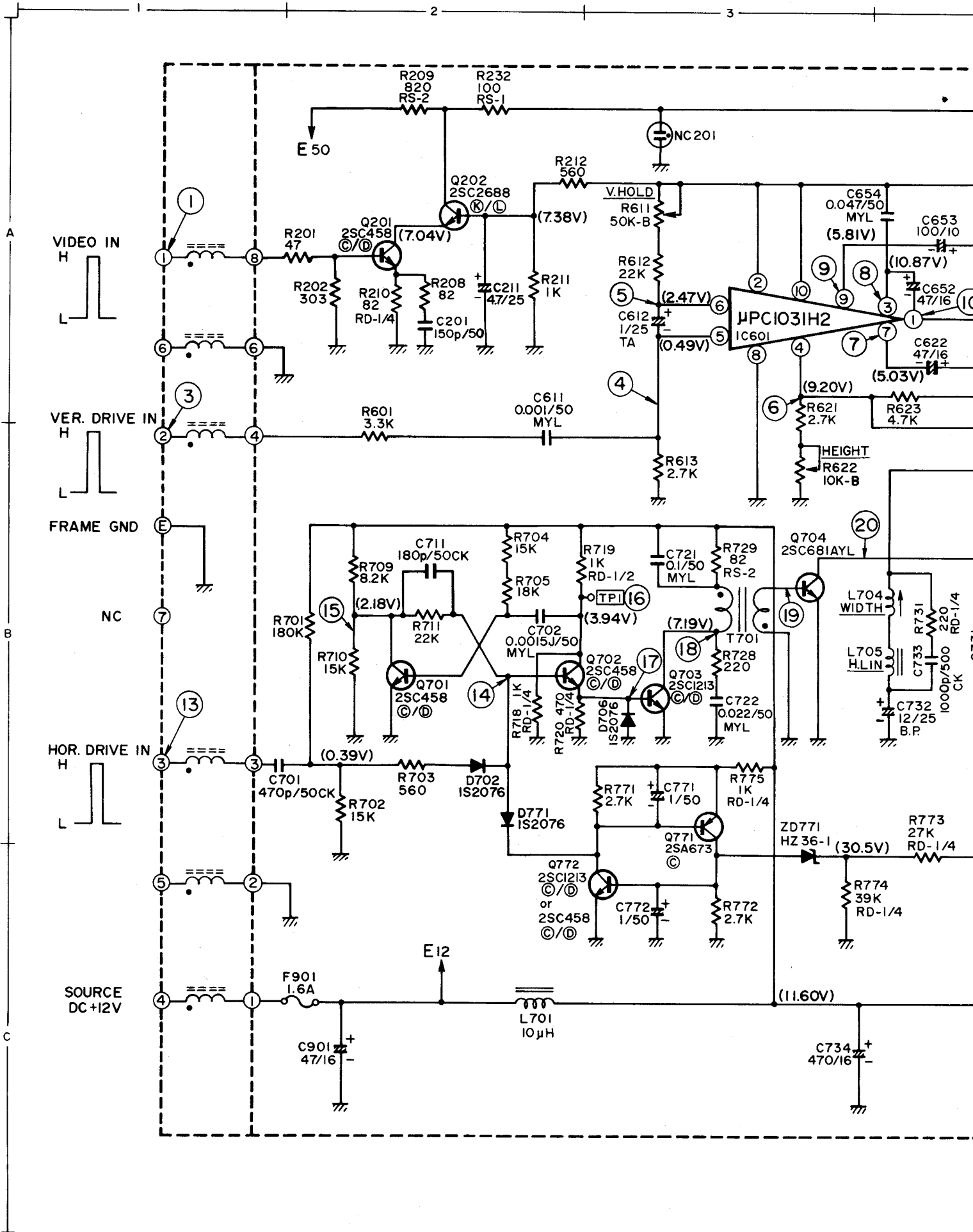
Pin 1	J2	416	-5
		416A	+5
Pin 8	J1	416	+12
		416A	+5

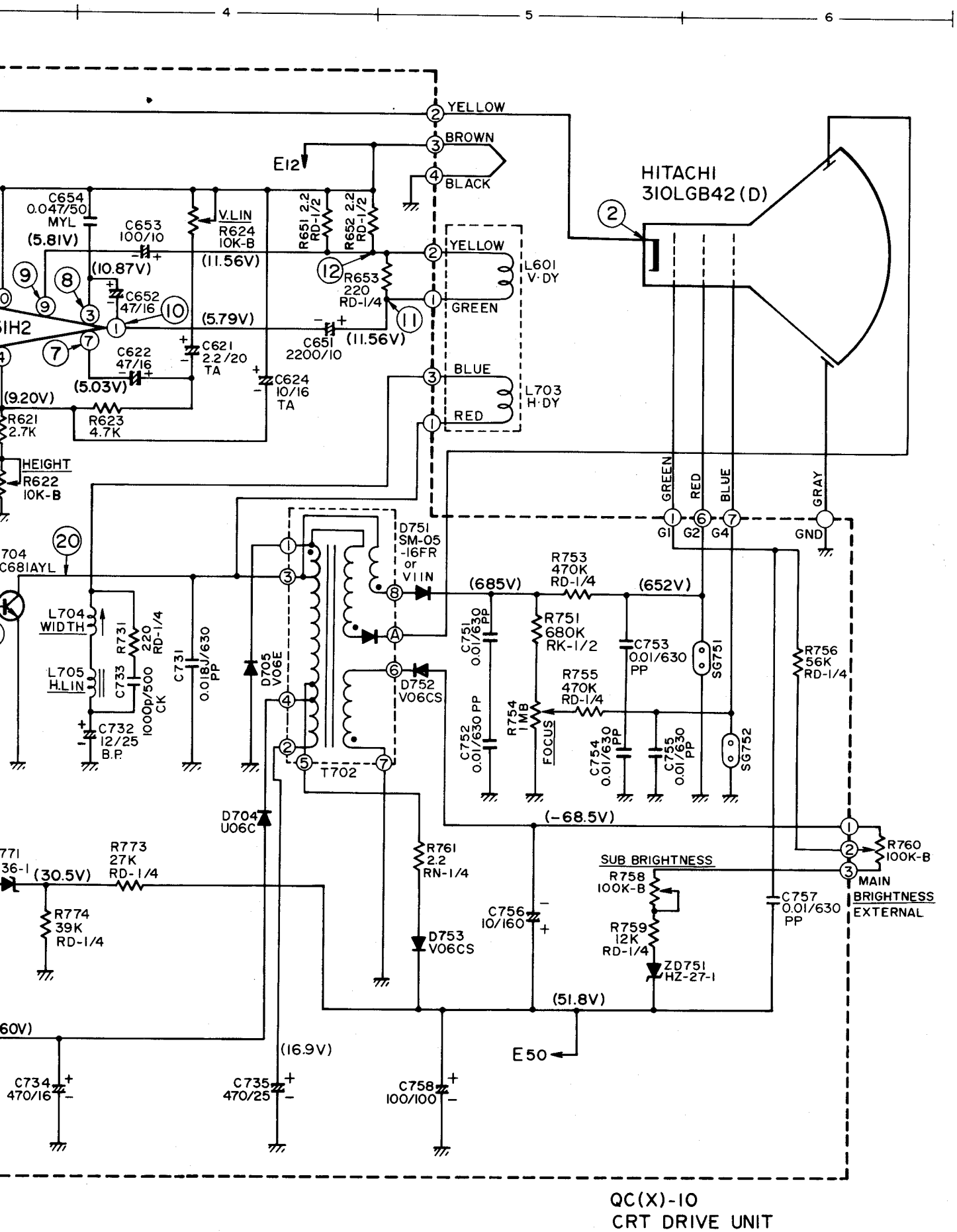
UNIT Y1302060000 (D RAM 416)
 UNIT Y1302080000 (D RAM 416A)
 QC(X)-10
 Q IO GMS BOARD Schematic Diagram



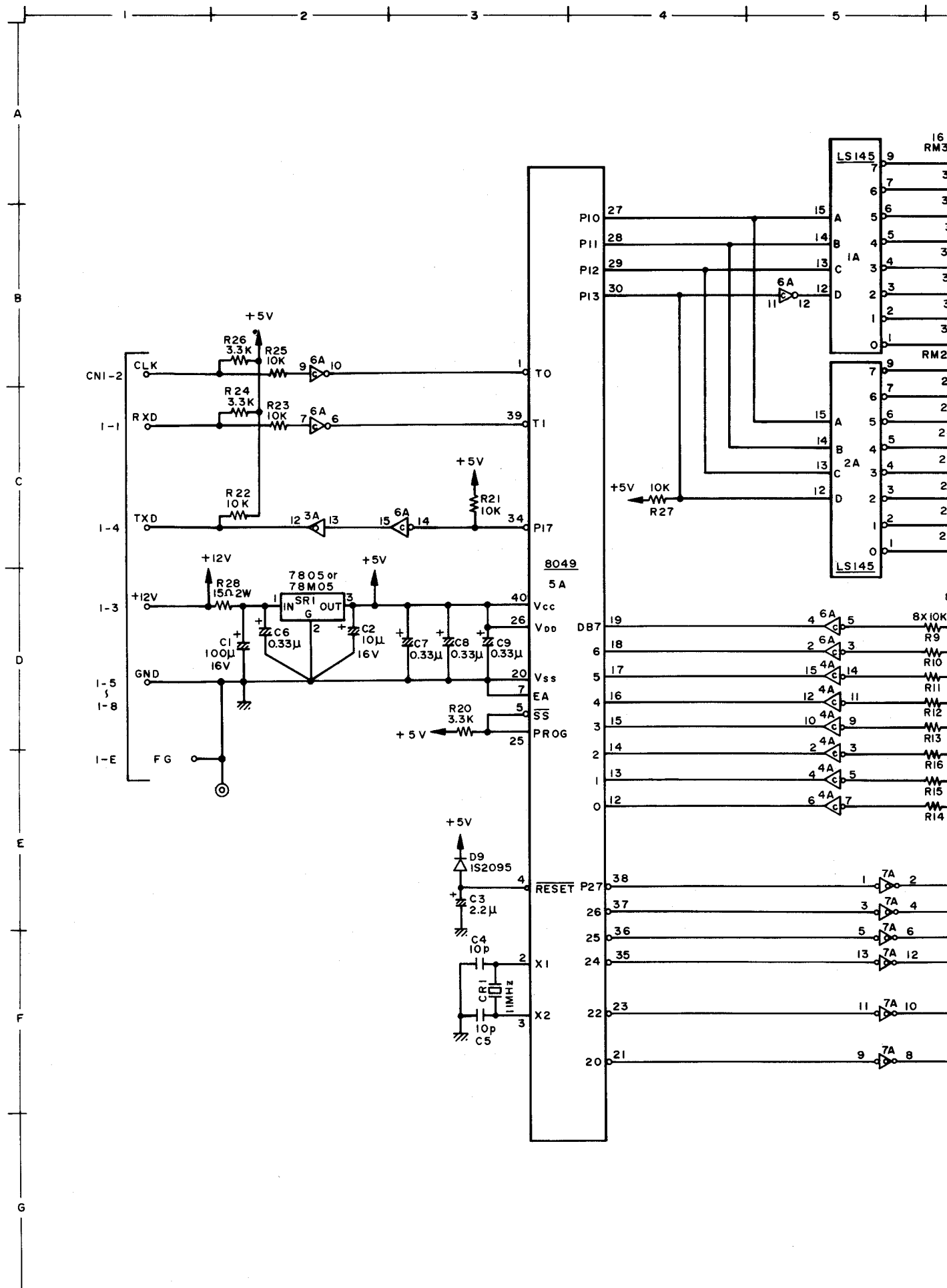
CAUTION: ○ () ----- AC198~264V
 ○ J1 ON ----- AC90~132V
 OFF ----- AC198~264V
 ○ R3, R4 ----- FUSE RESISTANCE

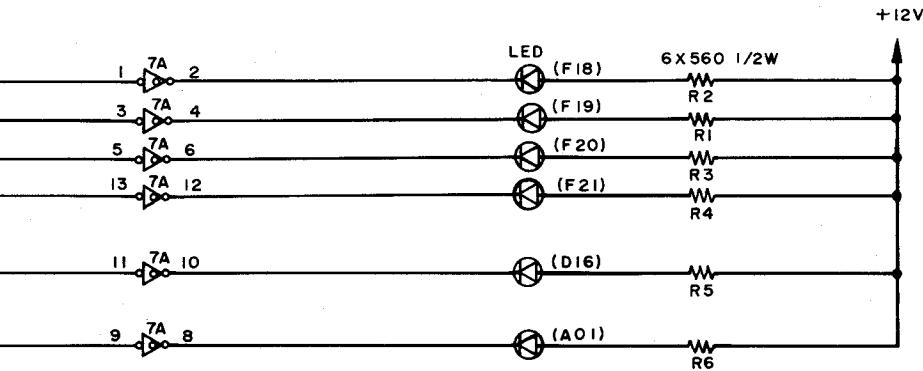
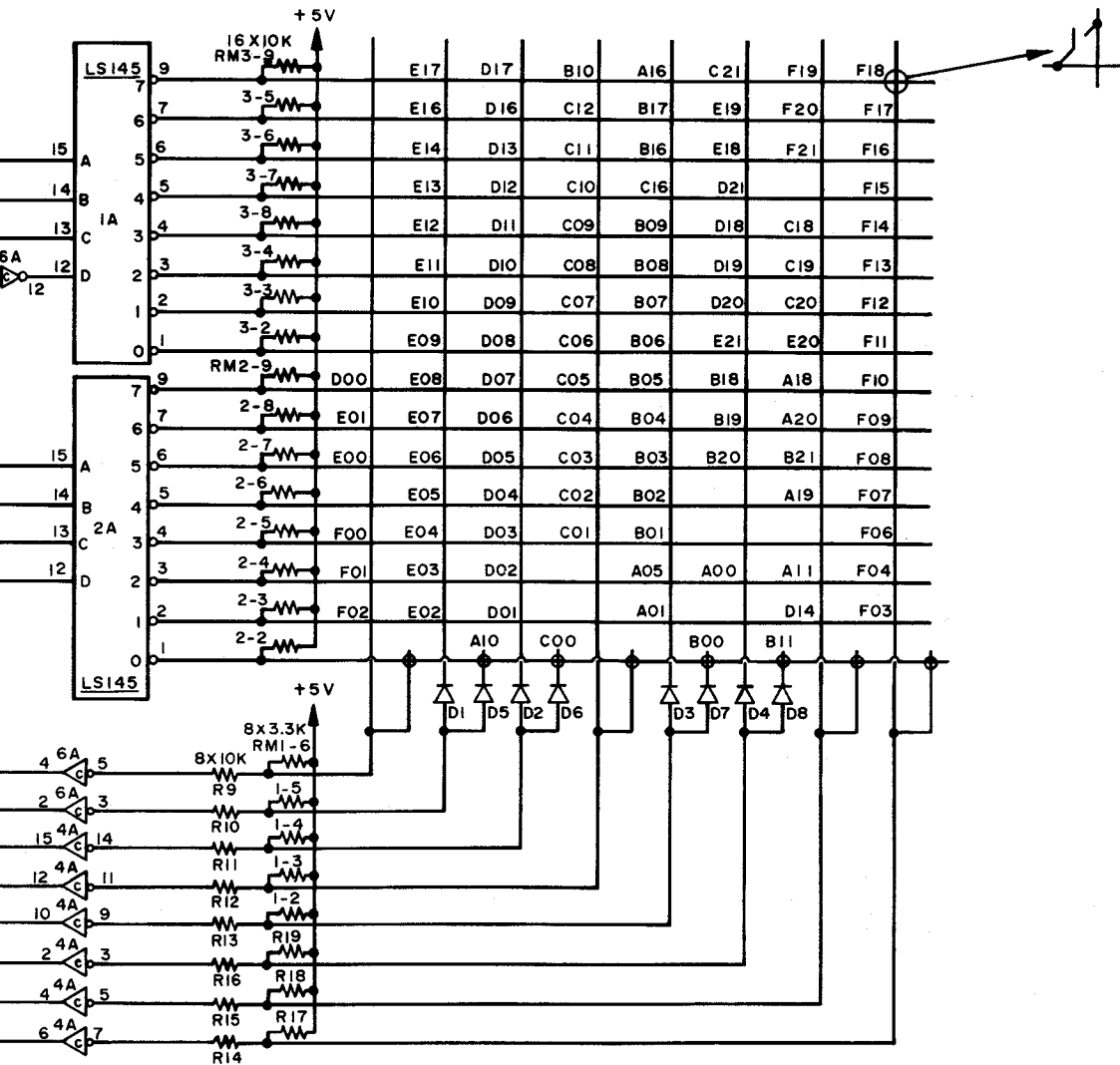




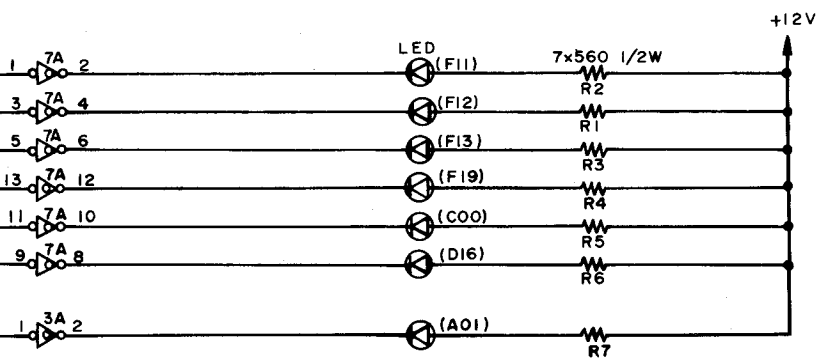
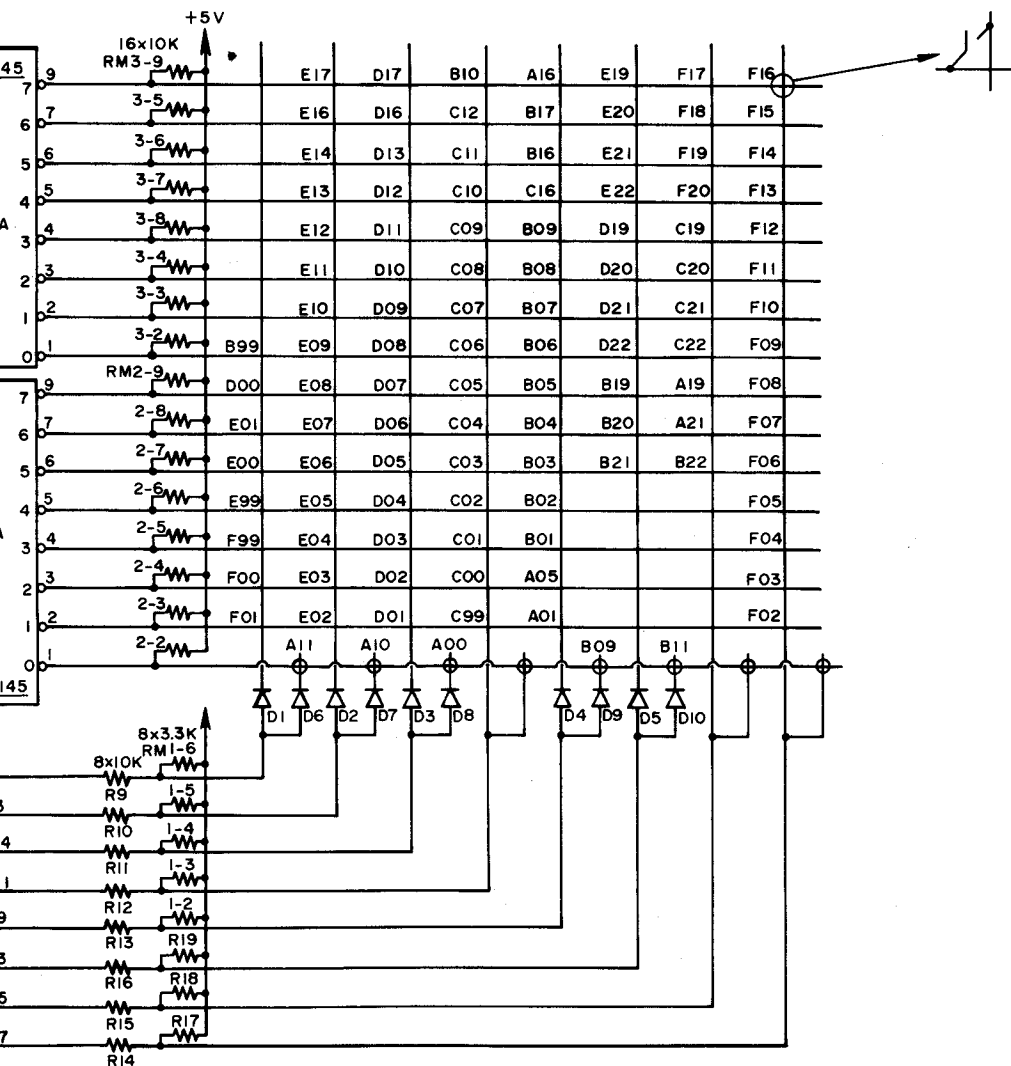


QC(X)-10
CRT DRIVE UNIT

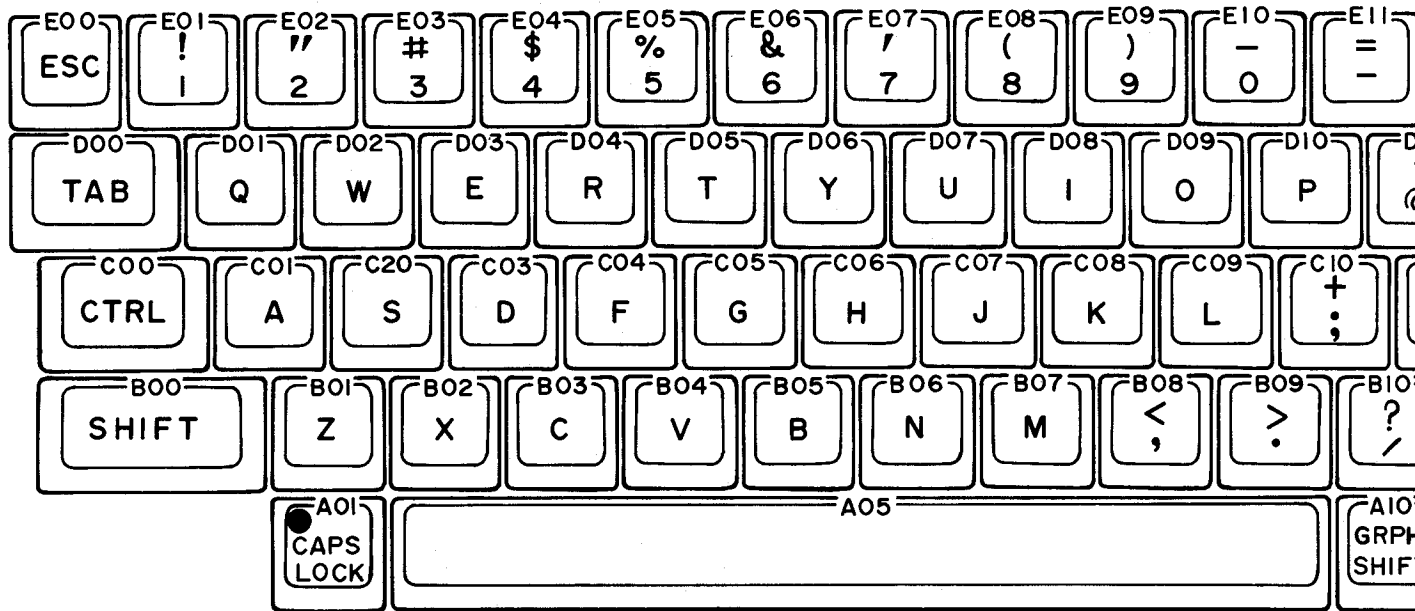
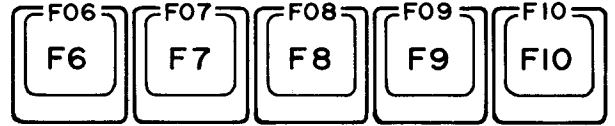
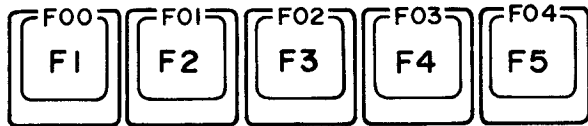


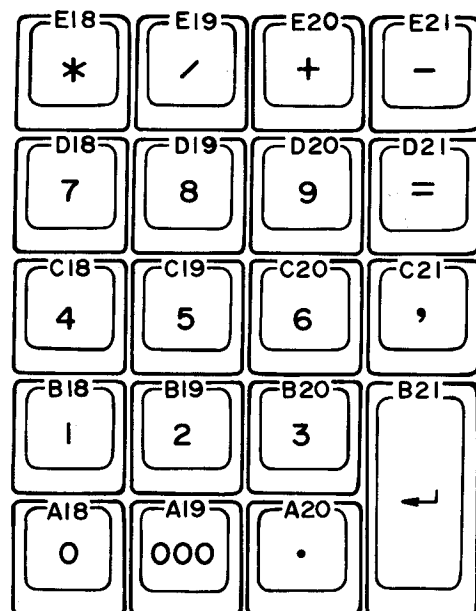
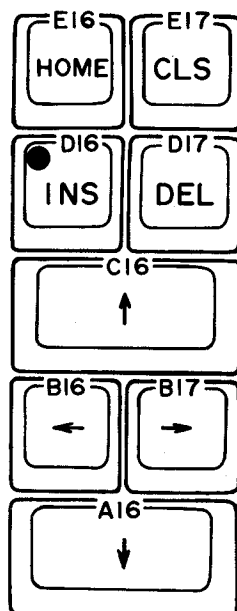
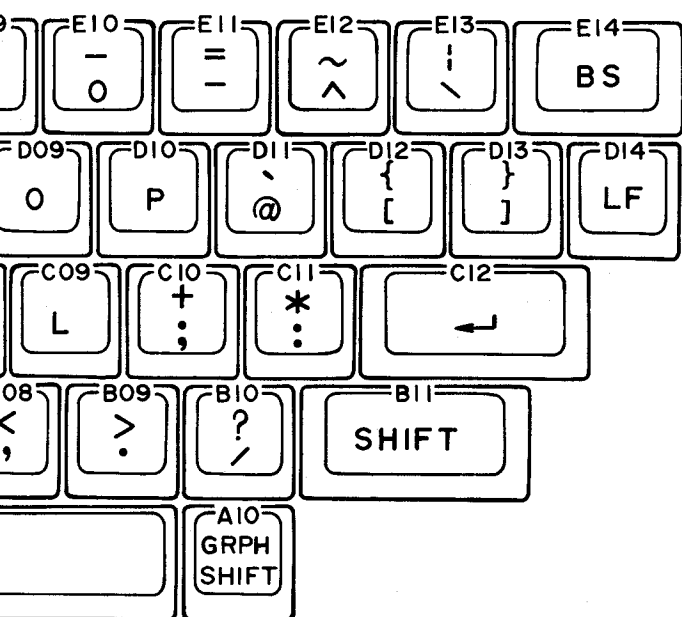
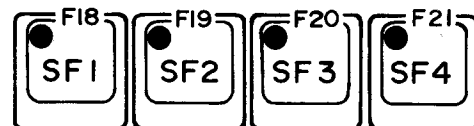
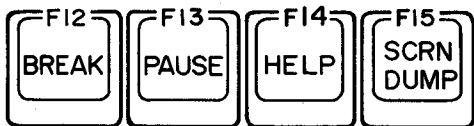
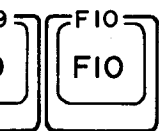


QX-10
ASCII KEYBOARD Schematic Diagram

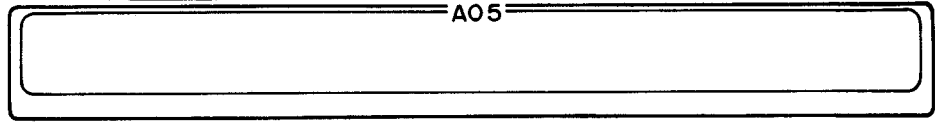
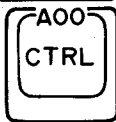
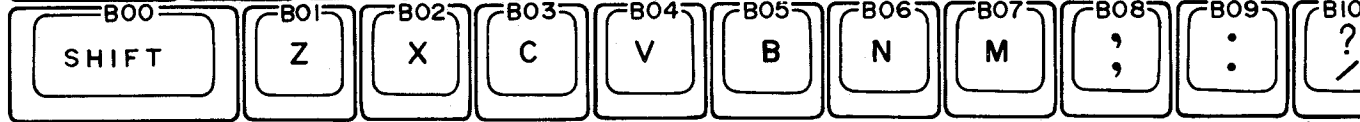
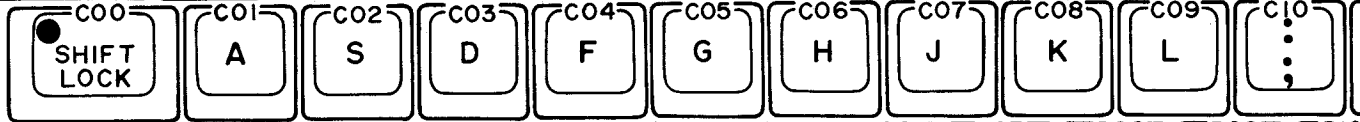
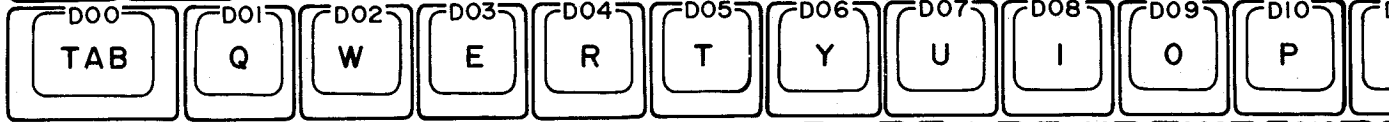
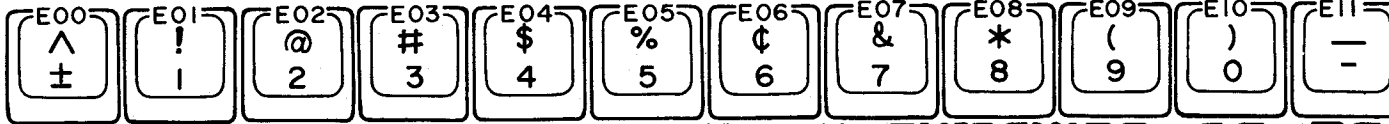
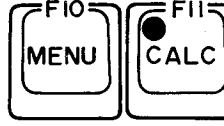
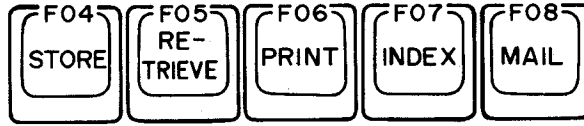
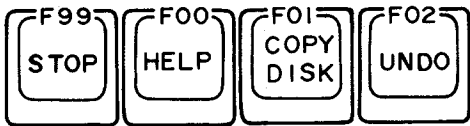


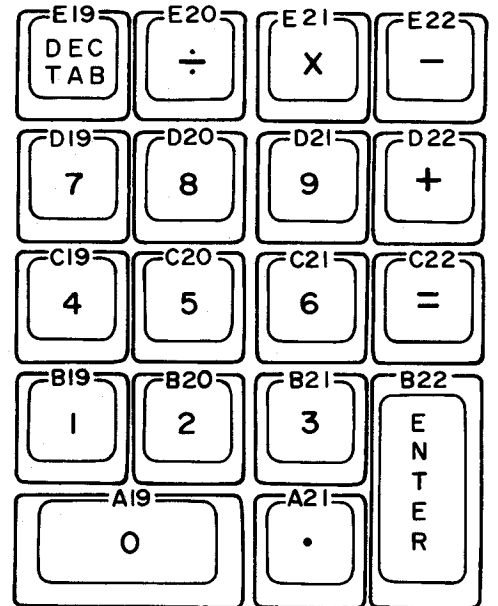
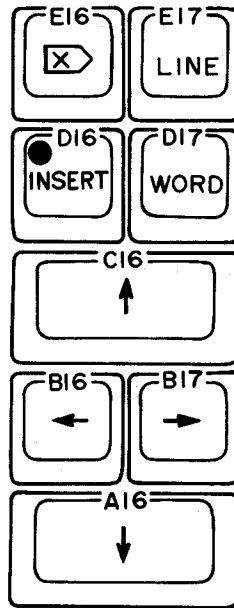
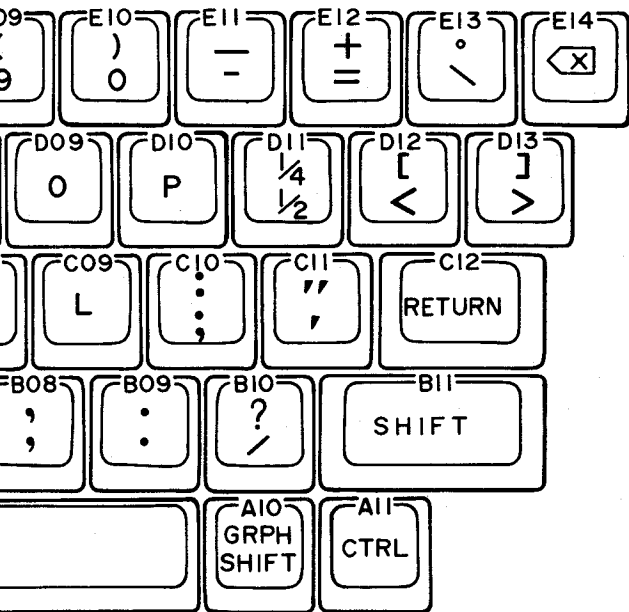
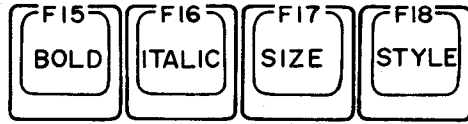
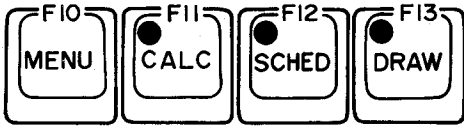
QX-10
HASCII KEYBOARD Schematic Diagram





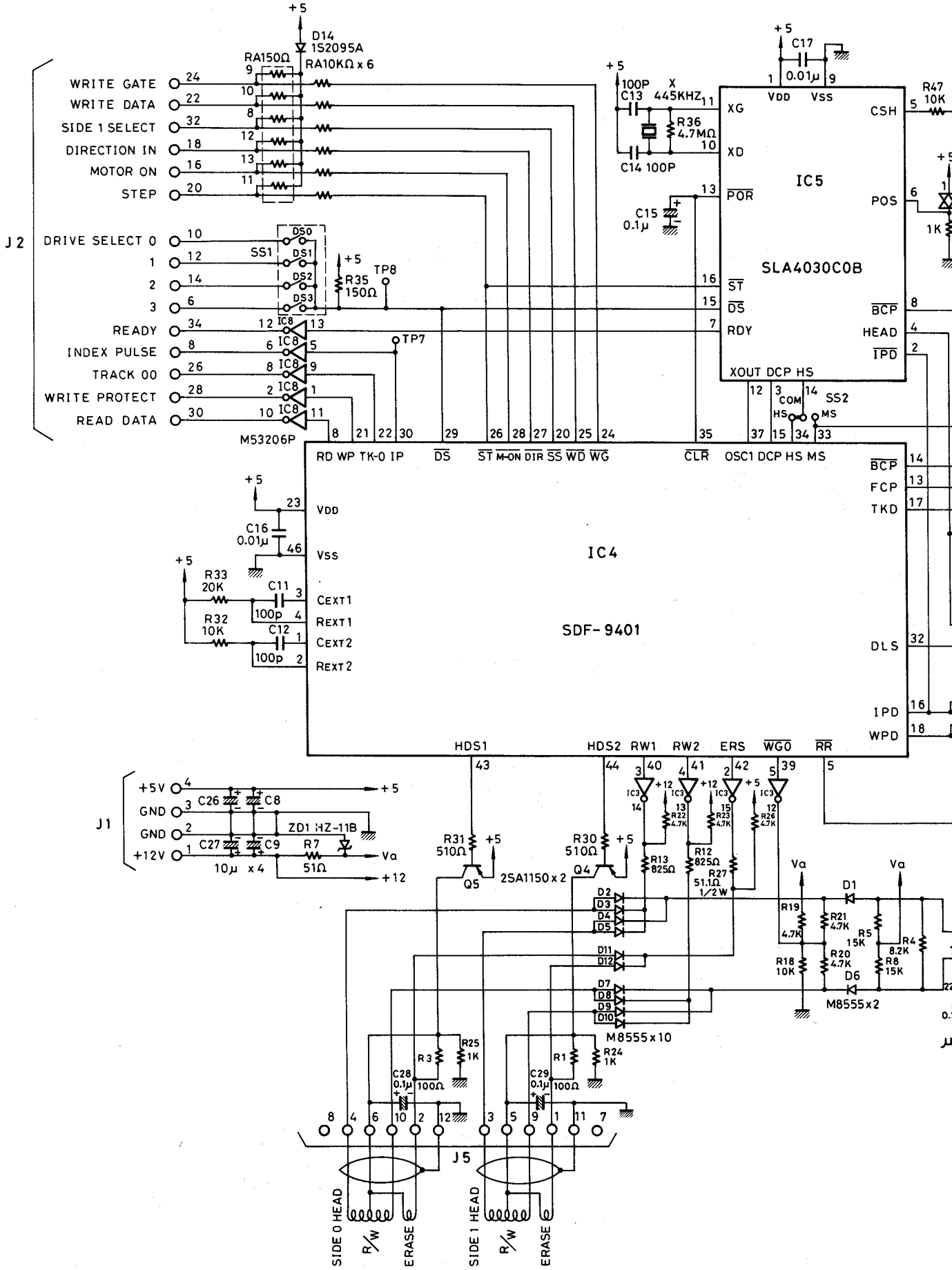
QX-10
ASCII KEYBOARD LAYOUT

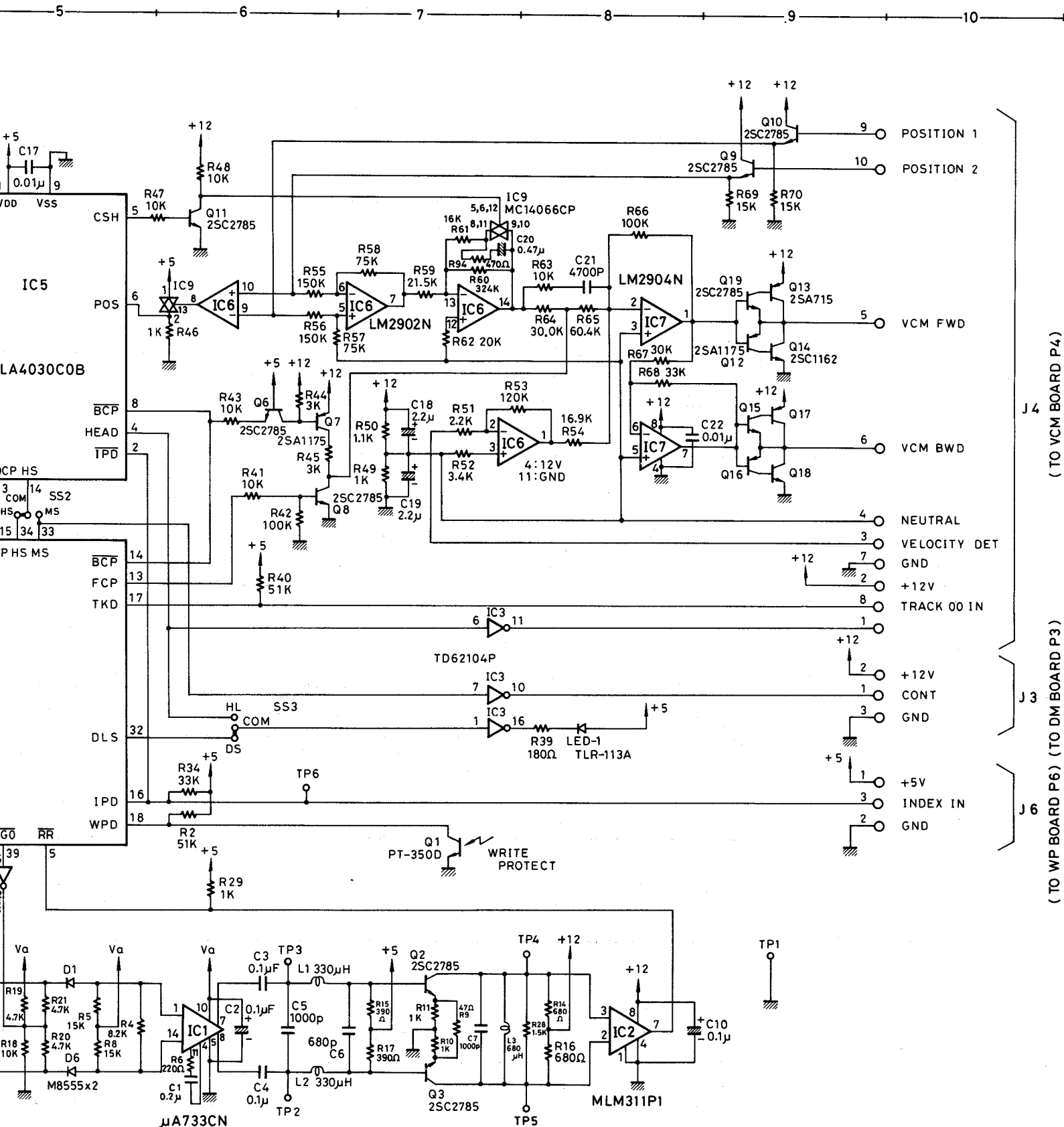




QX-10
 HASCI KEYBOARD LAYOUT

A
B
C
D
E

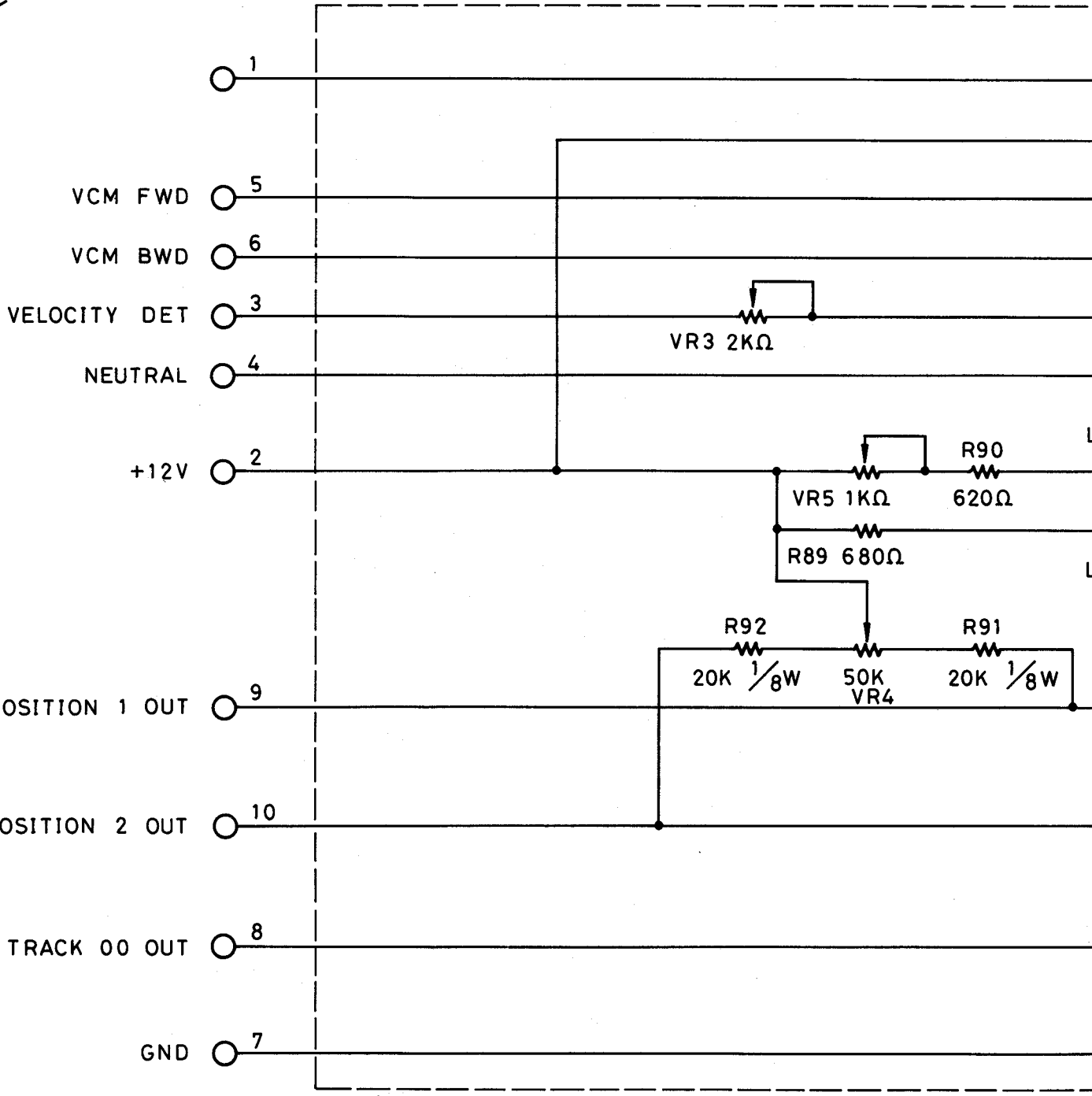




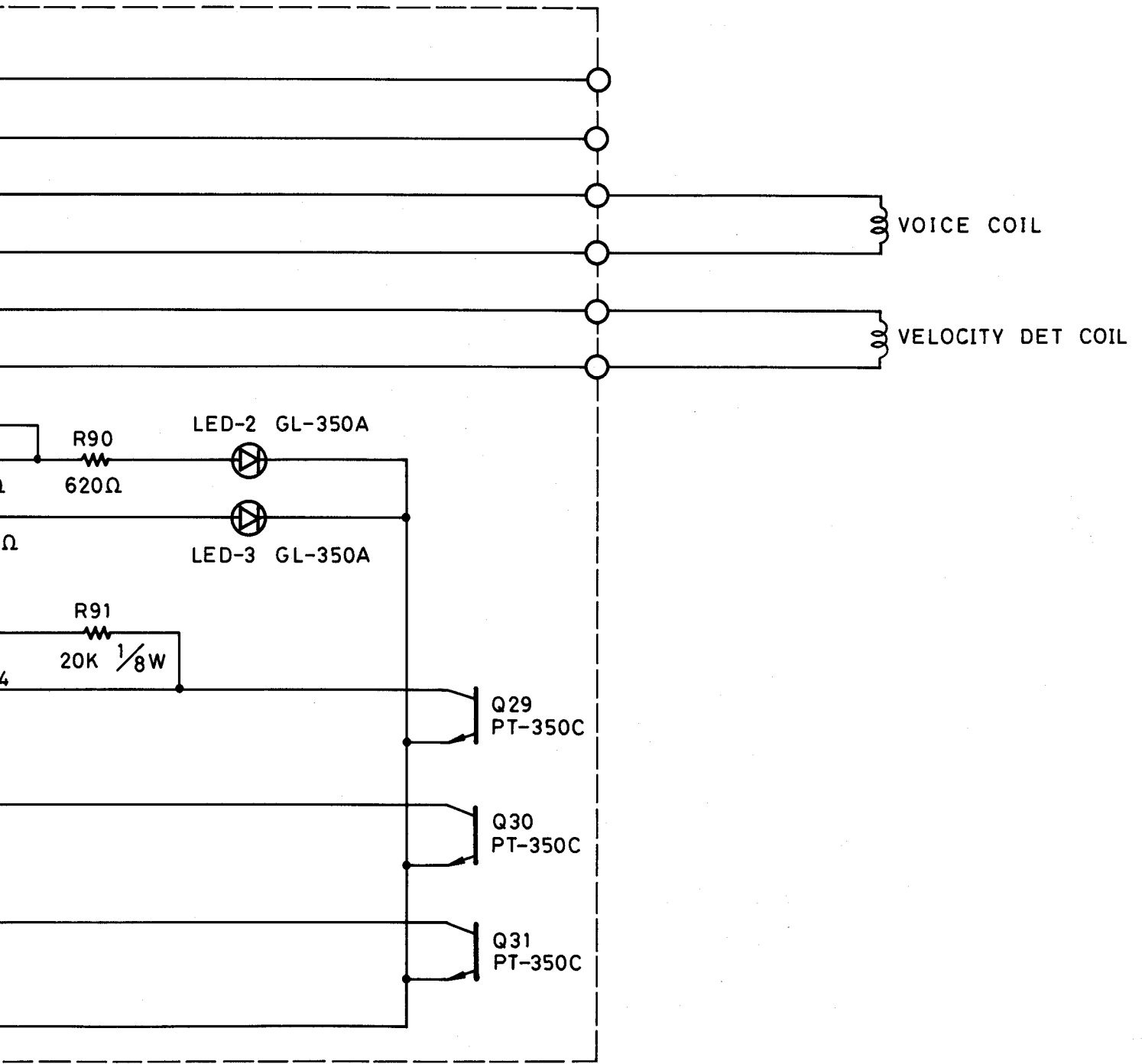
Floppy Disk Drive(SD-321) MAIN BOARD [3204700]

(TO MAIN BOARD J4)

P4



VCM FLEXIBLE LEAD BOARD



HEAD BOARD

Floppy Disk Drive (SD-321) VCM BOARD

(TO MAIN BOARD J6)

P 6

INDEX OUT

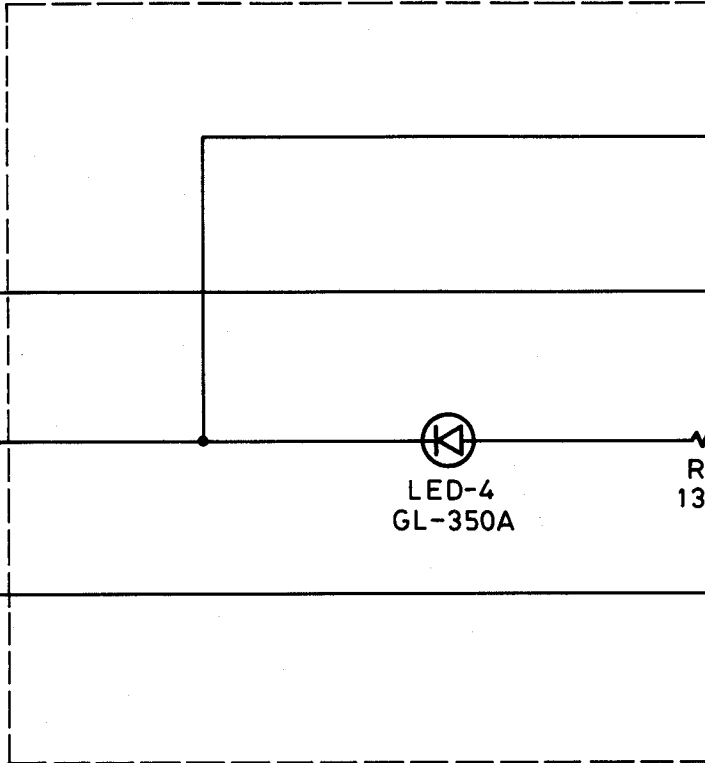
3

GND

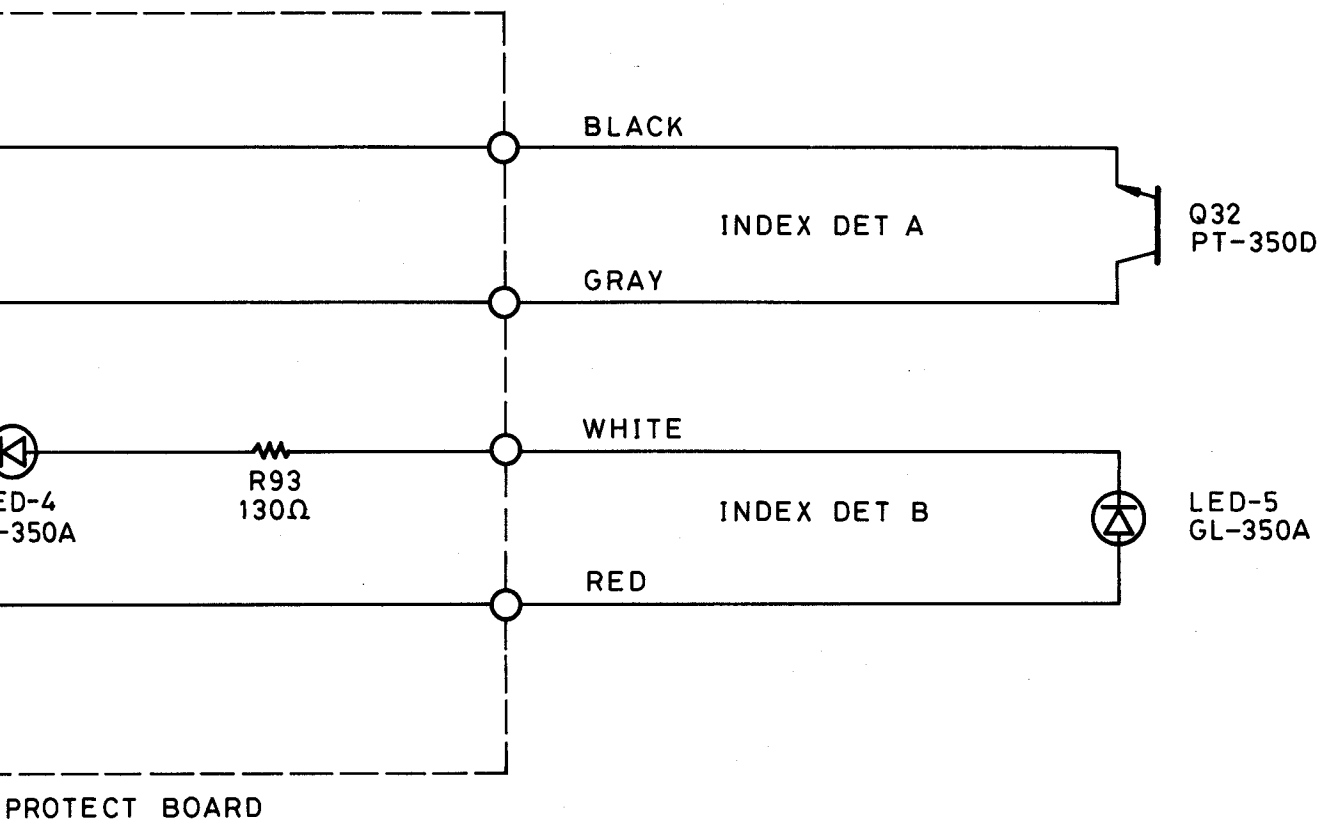
2

+5V

1



WRITE PROTECT BOARD

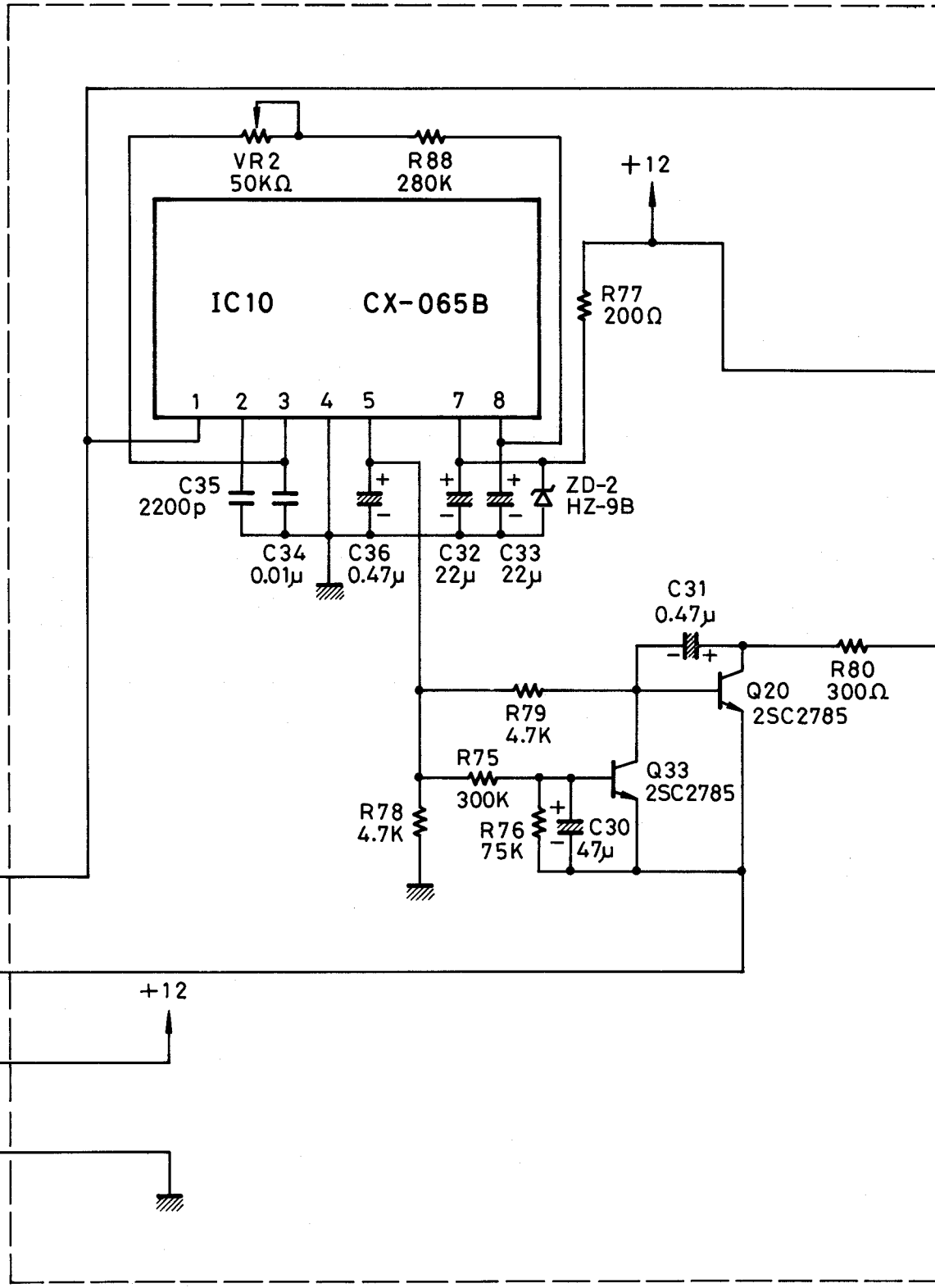


Floppy Disk Drive (SD-320/321)
 WP BOARD

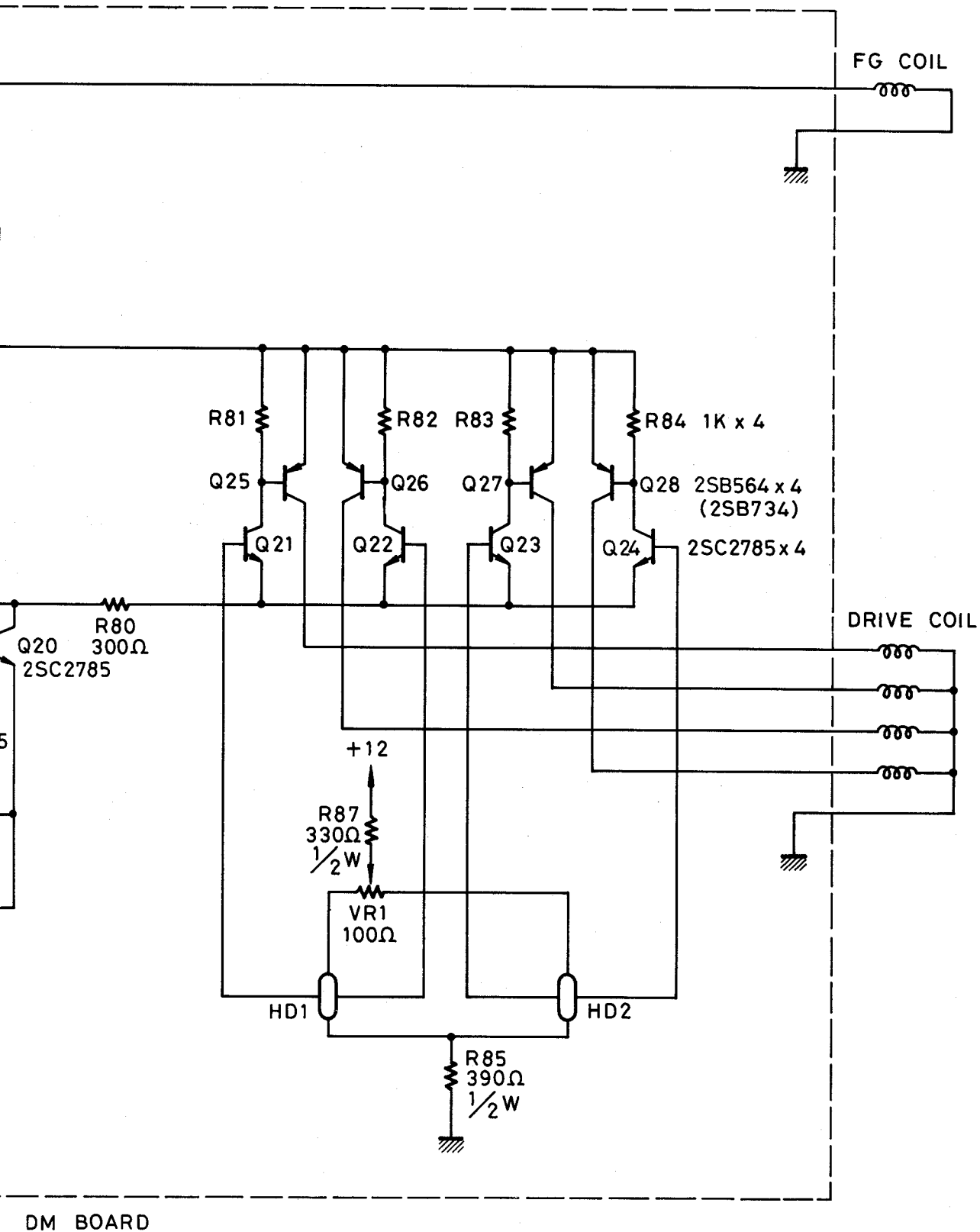
(TO MAIN BOARD J3)

P 3

CONT 1
+12V 2
GND 3



DM BOARD



Floppy Disk Drive (SD-320)
DM BOARD 321