



Data  
Systems

**PHILIPS**

Support Manual  
P2000

## TABLE OF CONTENTS

CHAPTER	1	GENERAL DESCRIPTION	PAGE	1-1	thr.	1-3
	2	FUNCTIONAL DESCRIPTION		2-1	thr.	2-5
	3	DETAILED DESCRIPTION		3-1	thr.	3-35
	4	DIAGRAMS		4-1	thr.	4-41
	5	LISTINGS				Not applicable
	6	PARTS		6-1	thr.	6-54
	7	TROUBLESHOOTING AND REPAIR		7-1	thr.	7-9

1 GENERAL DESCRIPTION

SECTION 1.1 SYSTEM INTRODUCTION PAGE 1-3

LIST OF ILLUSTRATIONS

FIGURE 1.1 P2000 T-VERSION 1-2  
1.2 P2000 M-VERSION 1-2

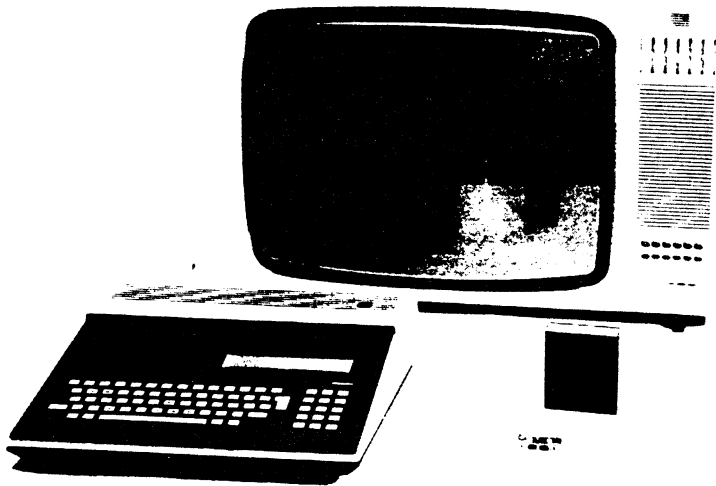


Figure 1.1 P2000 T-VERSION

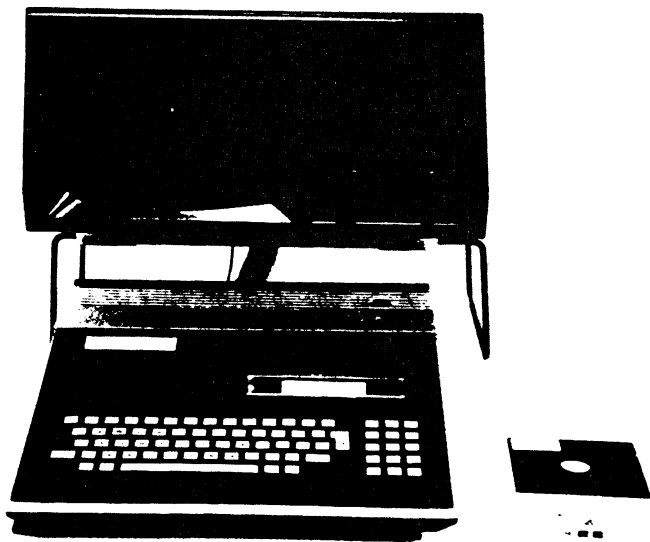


Figure 1.2 P2000 M-VERSION

## 1.1 SYSTEM INTRODUCTION

The P2000 Microcomputer is available in two versions:

- T-version
- M-version

The T-version consists of one cabinet, the basic cabinet (figure 1.1). This computer interfaces to either a standard black/white or colour television set or a special set with non-modulated R.G.B interface.

The basic cabinet includes a keyboard and minicassette drive and is equipped with a serial printer interface.

Standard programs are available on ROM-cartridges which can be plugged into a slot on the cabinet.

A second slot is available for installation of an optional interface adaptor, for example a modem-interface.

The M-version consists of two cabinets, the basic cabinet and the monitor cabinet (figure 1.2).

The basic cabinet includes the same functions as the T-version, but interfaces to a professional monitor in the monitor cabinet.

This monitor cabinet is also the housing for upto 2 mini floppy disk drives.

This manual is intended to give support information about the functional and detailed operation of the P2000 Microcomputer, both for M- and T-version.

Not included in this manual is a description of the internal and external peripherals.

For this information we refer to the particular service manuals. Field Service information of the computer is given in the P2000 Field Service Manual.

## 2.1 INTRODUCTION

The P2000 is a microcomputer system consisting of the next four functional groups:

- CPU
- Memories
- I/O control
- Video Generation

The main difference between the T- and M-version of the P2000 is found in the video generation. The T-version interfaces to a standard black/white or colour televisionset and is controlled by logic circuitry on the CPU-board.

The M-version interfaces to a professional 12" monitor and is controlled by logic circuitry on a separate video board.

For both versions the extension board is optional.

## 2.2 CPU

The CPU is a Zilog Z80 microprocessor.

The  $\mu$ -processor offers a 16 bit addressbus and an 8 bit databus.

Instructions are fetched via the databus. The instruction set includes a wide variety of instructions such as logical and arithmetic operations, jump and move instructions, a set of memory load and store commands and I/O instructions.

During memory operations the address bus carries the specific memory address.

During I/O operations the address bus carries the specific portnumber which is involved.

The selection of the particular memory area and the selection of a particular I/O port is done by decoding a part of the addressbus.

## 2.3 MEMORIES

The CPU is addressing a number of memory areas, each of them with a specific function.

The MONITOR ROM is a 4K8 (4096x8) read only memory. This ROM contains the general routines to operate the machine.

It includes a start-routine which is accessed after POWER-ON and initializes the machine (memory test, initialization of I/O controllers, screen initialization, etc.).

Furtheron the MONITOR ROM contains the general I/O routines to control the hardware such as a keyboard scan routine (every 20 ms on interrupt base), a printer-routine including serializing and error control, cassette interfacing including motor control, error check and serializing, a routine to activate the BELL, and a bootstrap routine for the mini floppy system.

The APPLICATION PROGRAM is stored on ROM's in the PROGRAM CARTRIDGE. This cartridge is inserted onto the CPU-board via a slot on the machine. Various programs are available such as wordprocessing, basic, etc.

The program memory can go upto 16K8.

It is started after the machine is initialized by the monitor.

It includes the specific routines for an application.

For access to the hardware at certain points the program makes use of the monitor routines, for example to read a record from tape, to print a line on the printer or to display information on the video screen.

The control of the mini floppy disk drives is realized with help of an interface circuitry based on an intelligent floppy disk controller circuit. Data transfers between floppy and CPU are performed by CPU-scanning of the floppy controller.

Service requests and failure reports are executed on an interrupt base, using the interrupt controller.

The interrupt controller is formed by a programmable counter/timer circuit providing interrupt addresses for floppy and keyboard. It provides also the transmission timing for the optional data communication interface.

When the extension board is not used the keyboard interrupts are generated via a circuitry on the CPU-board giving every 20ms an interrupt to scan the key matrix.

## 2.5 VIDEO GENERATION

### 2.5.1 T-VERSION

On the T-version the logic circuitry for video generation is part of the CPU-board.

The circuitry offers two interfaces, one for the connection to the antennae input of a standard television set, a HF modulated signal. The other interface is provided for connection to a televisionset with RGB interface, which is directly giving the red, green and blue levels, thus improving the quality of the green picture.

The screen is refreshed by regular access to the VIDEO RAM. The memory is accessed in this display mode via DMA (direct memory access), the address being offered by the video timing chain.

The data is then fetched to a video generation circuit to translate the coded characters to a serial video dot pattern and decode the special control characters (e.g. COLOUR-SETTING).

The video RAM for the T-version is an area of 2K8, structured as 24 rows of 80 characters each. Only 40 characters of every row are displayed, selected via a scrolling feature under software control.

### 2.5.2 M-VERSION

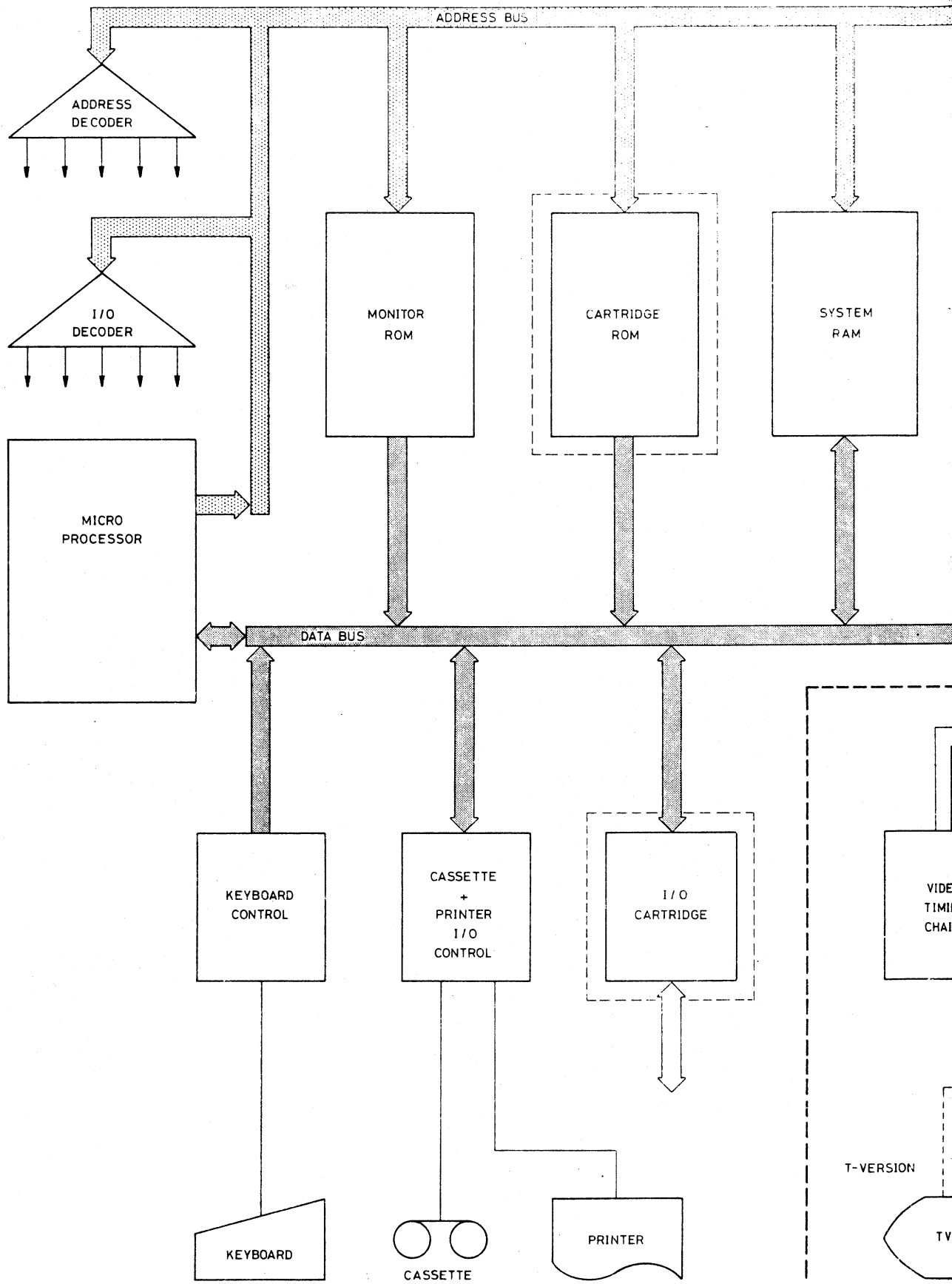
For the M-version the video generation is situated on a separate board, called the video board.

It interfaces to a professional video monitor offering a screen of 24 rows of 80 characters.

The display of special features such as blinking characters, inverse video and underlining of characters, is separately controlled per character.

This requires a separate video memory for attributes. Thus the total video memory is formed by a 2K8 memory for characters and a 2K4 memory for attributes. During screen refresh the video information is extracted both from the character and the attribute memory, offering 12 information bits to the video generation logic. Reading out of the video memory to the video generation logic is not controlled by the CPU but is achieved via a DMA-process, activated and addressed by the video timing chain.

CPU BOARD





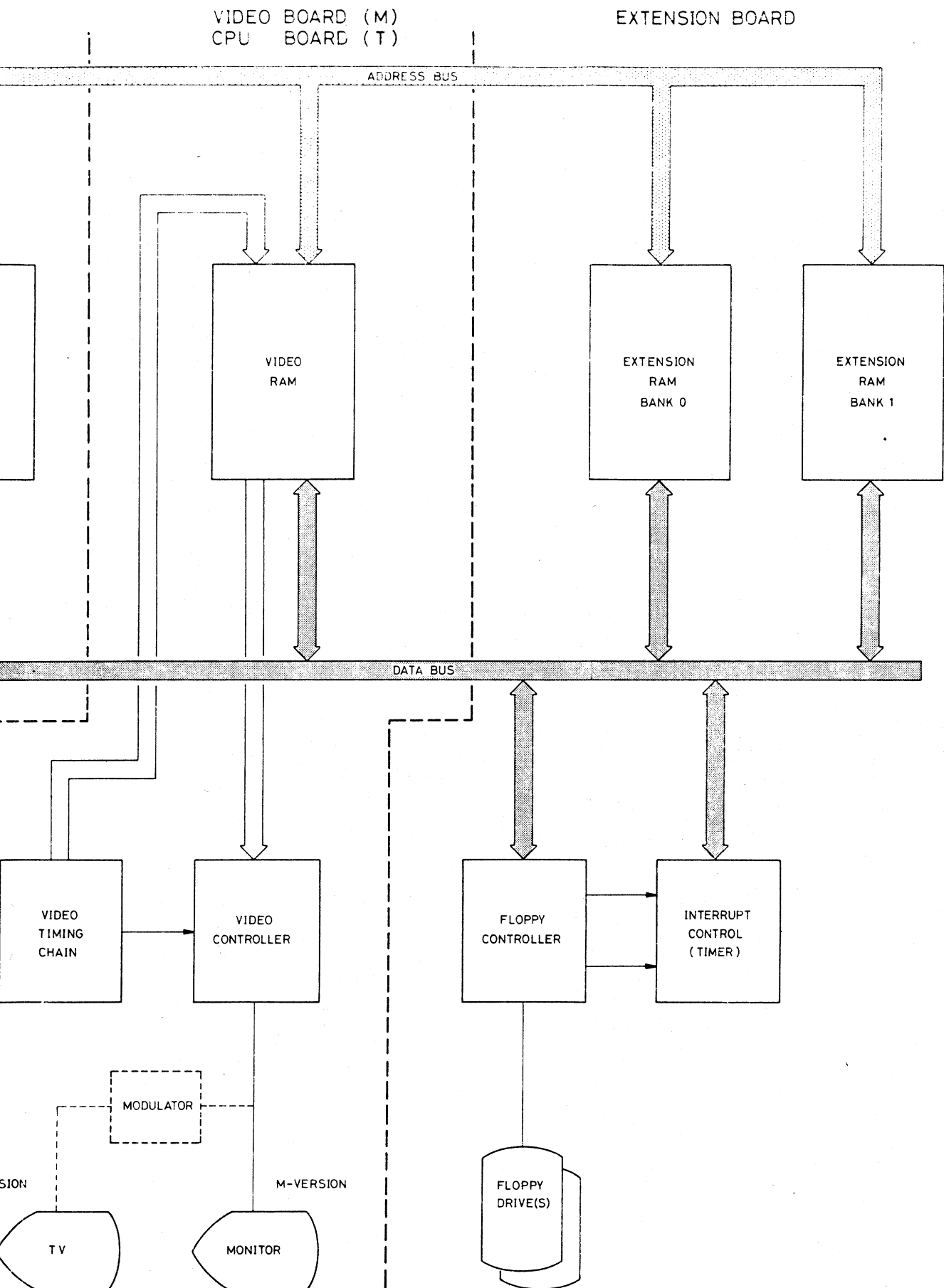


Figure 2.1 FUNCTIONAL BLOCKDIAGRAM P2000

### 3.1 CPU-BOARD (FIGURE 4.4)

The CPU-board is split into four functional sections. The first two sections are common for T and M-versions, the last two sections are only used in the T-version.

- CPU/Memory (T + M)
- I/O control (T + M)
- Video Memory (T)
- Video Generation (T)

#### 3.1.1 CPU/MEMORY (FIGURE 4.6.1)

The SYSTEM TIMING is formed by a 20 MHz crystal clock and a divider circuit. The circuitry provides a 2.5 MHz timing signal for the microprocessor (Ø), a 5 MHz timing signal to be used for memory timing (Ø2) and a 4 MHz signal used for the floppy controller on the extension board (T4M). The microprocessor is a Z-80 CPU circuit. The 16 bits addressbus (A0-15) is providing the selection of I/O ports and addresses the memory locations. Data transfers are made via the 8 bit bidirectional databus (D0-7). A number of control signals are offered by the µ-processor to indicate the kind of transfer and data direction according to the next table.

CONTROL SIGNALS	ADDRESSBUS	DATABUS
MREQ, RD, M1	A0-15 Memory address	Instruction fetch
MREQ, RD	A0-15 Memory address	Memory read
MREQ, WR	A0-15 Memory address	Memory write
MREQ, RFRSH	A0-6 Memory refresh address	-
IOREQ, RD	A0-7 Port address	Input from port
IOREQ, WR	A0-7 port address	Output to port
IOREQ, M1	-	Read interrupt vector

The ADDRESS DECODER is decoding the five most significant address lines (A11-15) and offers the chip selection signals for the several memory areas including a memory bus enable signal for the memories connected via a busdriver. The decoding is performed as follows:

ADDRESS LINE 15 14 13 12 11	SELECTION signals	MEMORY AREA
0 0 0 0 0	ROMS1, MBEN	Monitor ROM: 0000 H-0FFF H
0 0 0 0 1	ROMS2, MBEN	
0 0 0 1 X	CARS1, MBEN	ROM Cartridge: 1000 H-4FFF H
0 0 1 0 X	CARS1, MBEN	
0 0 1 1 X	CARS2, MBEN	
0 1 0 0 X	CARS2, MBEN	
0 1 0 1 0	VIDS	Video RAM(T): 5000 H-57FF H
0 1 1 X X	RAMS1, MBEN	System RAM: 6000 H-9FFF H
1 0 0 X X	RAMS1, MBEN	
1 X 1 X X	RAMS2	Extension: A000 H-FFFF H RAM

The MEMORY TIMING is providing the necessary timing for the system RAM (figure 3.1). These RAM circuits are using multiplied addressing. The address is offered in two stages, first the row address (A0-6) and then the column address (A7-13). The memory timing offers the signal SCA to select either row address or column address to be offered to the memory.

Strobing of the row address is done first at MREQ (MRQ) and strobing of the column address is achieved with signal CAS. This signal is generated one clock-pulse time after MRQ and appears only if the system RAM is selected (RAMS1) and no refresh is active (RFPSH).

Refreshing of the dynamic memory cells is achieved with a RAS-only cycle, the row address being offered by the CPU, sequentially refreshing all 128 rows in the memory chip within 2ms.

The signal RFSH appears once per instruction cycle.

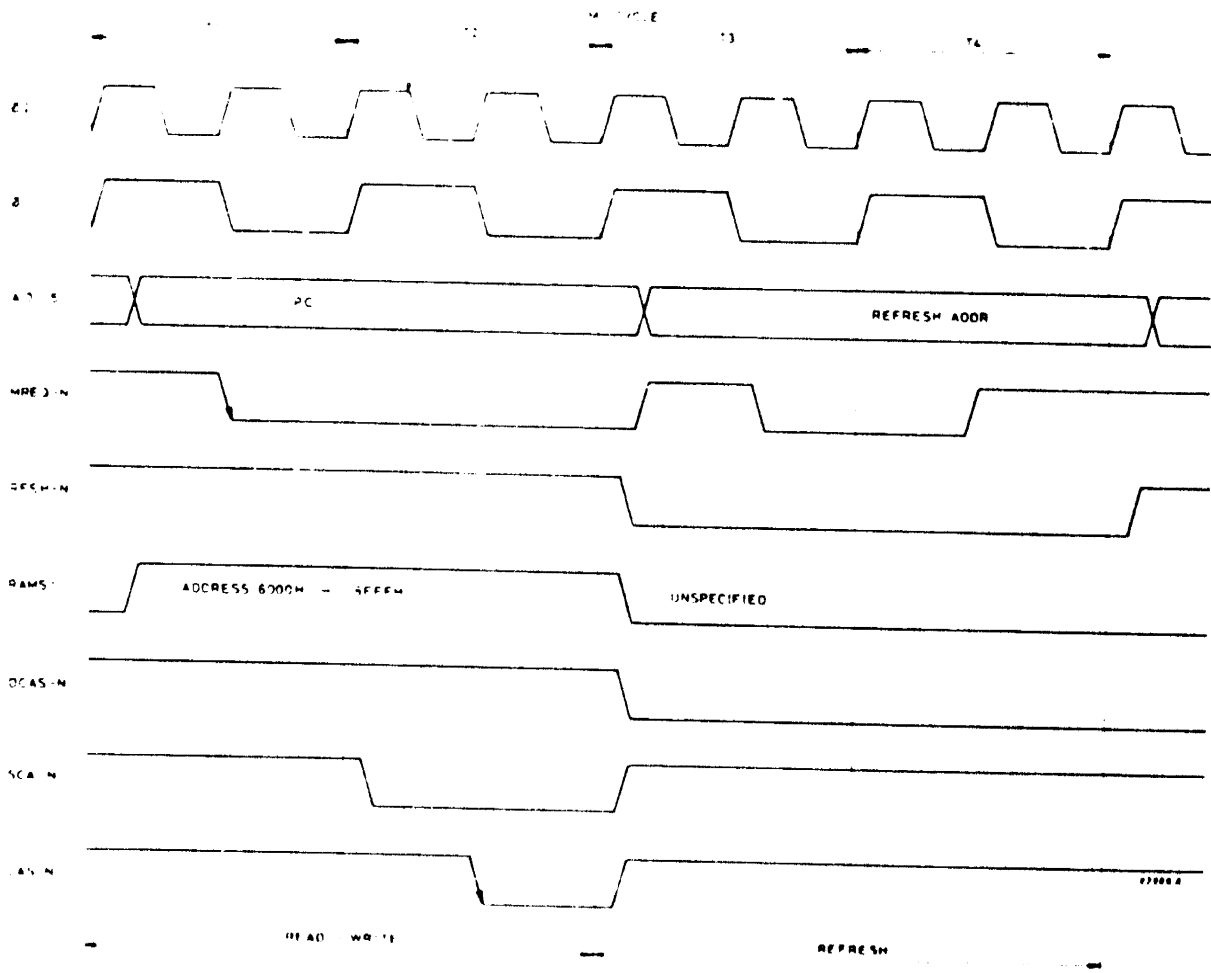


Figure 3.1 RAM TIMING

The MONITOR ROM consists of 2 ROM circuits of 2K8, together forming the monitor program. For further extensions the selection of the ROM's can be changed with help of straps A-D, to implement a 4K8 ROM circuit.

The output of the ROM's, enabled during selection of the monitor ROM, is put to the memory databus (DMO-7). This bus is via a busdriver connected to the CPU-databus. The busdriver is only enabled during memory read actions on ROM or system RAM (MBEN2).

The SYSTEM RAM is formed by 8 circuits of 16K1 each. The multiplexed addressbus (AM0-6) contains either the row address (A0-6) or the column address (A7-13). Data input is directly coming from the CPU (D0-7) while data output is fed via the busdriver to the CPU (DM0-7). The application program is contained in ROM's on a ROM-cartridge inserted via connector to the CPU-board.

Selection of the ROM addresses is done with help of A0-12 and the selection signals CARS1-2, selecting one out of 2 banks of 8K.

The output of the ROM is also fed to the CPU via the DM-bus and the memory busdriver.

### 3.1.2 I/O CONTROL (FIGURE 4.6.2)

The CPU controls internal and external devices via a number of I/O ports. On the CPU-board we find the control circuitries for the keyboard, cassette, printer, a bell port for audible alarm and a port to select under software control the priority of video refresh (DISA). The I/O ports are decoded from the address bus according to the next table.

ADDRESS LINES 7 6 5 4 3 2 1 0	SELECTION SIGNAL	PORT NR (HEX)	FUNCTION
0 0 0 0 X X X X	KBS	00-09	Read the key-matrix
0 0 0 1 X X X X	OUTS	10(-1F)	Output to cass/printer
0 0 1 0 X X X X	INS	20(-2F)	Input from cass/printer
0 0 1 1 X X X X	SCRS	30(-3F)	Scroll register (T-version)
-	-	40(-4F)	Reserved for I/O cartridge
0 1 0 1 X X X X	BEES	50(-5F)	Beeper
-	-	60(-6F)	Reserved for I/O cartridge
0 1 1 1 X X X X	DISAS	70(-7F)	DISA port selects priority of CPU or video refresh access to video memory (M-version)

The KEYBOARD CONTROL consists of an 8 bit input port and a BCD-to-decimal decoder.

The keyboard itself is only a matrix of keys, connected between ten x-lines and eight y-lines.

The reading of a key is based on sequential addressing of the ten x-lines and reading of the eight y-lines. Any key suppression results in the interconnection of an x-line and an y-line. (Figure 3.2).

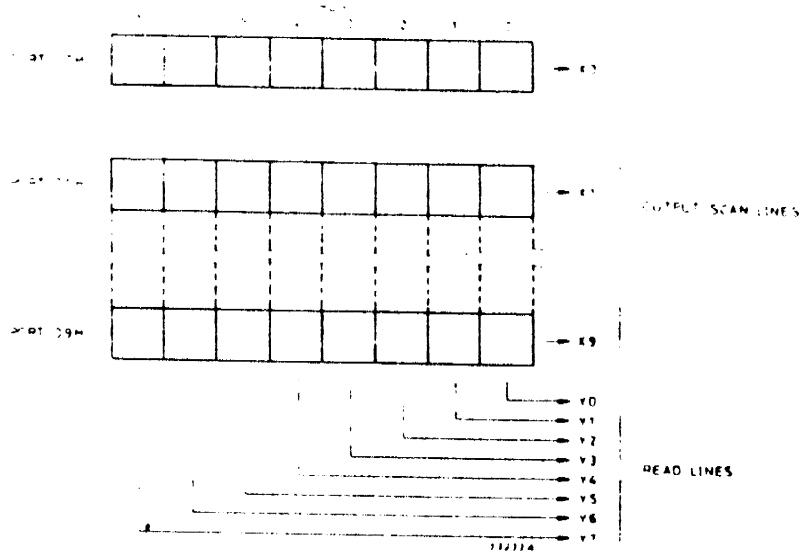


Figure 3.2 KEYBOARD PORT

Scanning of the keyboard is done every 20MS on interrupt-base with help of an INTERRUPT CONTROL circuitry. This scantime is received from the video timing (signals DEW or R2425-N for T- and M- version respectively).

The keyboard interrupts are only processed if the keyboard interrupts are enabled, which is controlled via a bit of the output control port (KBIEN).

The microprocessor then goes to an interrupt routine and executes a read keyboard action (IN 00). Because of the signal KBIEN being active all x-lines of the keyboard are selected at once via a diode network, forcing all x-lines to logic '0'. (Figure 3.3).

If a key suppression was made the inputted data will be unequal to FF Hex. The processor then deactivates KBIEN after which the X-lines are scanned sequentially.

At the end of the routine the interrupt is enabled again (KBIEN = '1') to prepare the next 20ms scancyle. The interrupt control on the CPU-board can only handle the keyboard and an external I/O cartridge interrupt.

When the extension board is used also the floppy-controller requires an interrupt process. In this case the interrupt control circuitry on the CPU-board is disabled and the interrupts are generated on the extension board. This is achieved via the signal LOCK-N which is forced logic '0' on the extension board.

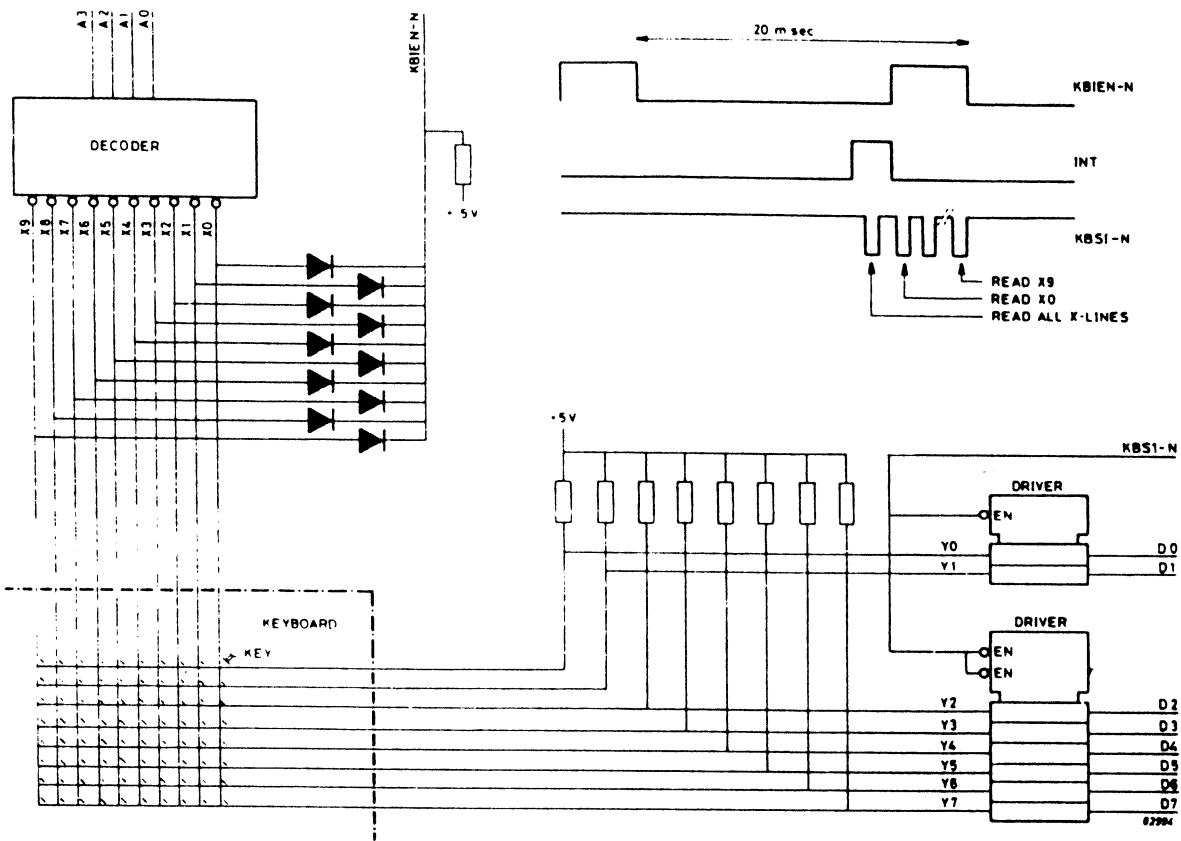


Figure 3.3 KEYBOARD SCANNING

The OUTPUT CONTROL is a port-circuitry to output information to CASSETTE and PRINTER. The selection of port 10H enables the storage of an 8-bit word into 8 output latches. Every outputted bit has a single function according to figure 3.4.

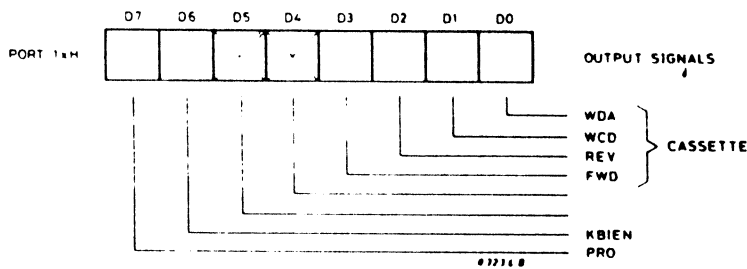


Figure 3.4 OUTPUT PORT (10H)

The CASSETTE is controlled by 4 output lines. Forward (FWD) and rewind (RWD) are two motor control signals to activate the motor in either forward or reverse direction. Data is written to the cassette via the Write Data (WDA) line, which is on the drive enabled when the Write Command (WCD) line is also active. The control of the motor and translation of data to a serial bitpattern in Phase Encoded (PE) format is controlled via routines in the Monitor - Rom.

The printer output control is formed by a single line (PRD), carrying the serial bitpattern of the characters to the printer. The output is passing a TTL/V24 signal convertor to adapt to the V28/RS 232-C signal levels (+12V/+2V). The printer is handled by a monitor-routine which is taking care serializing, addition of start of start/stop bits and parity generation. The speed of transfer is standard 1200bps, but the monitor program is using a speed-control-byte in the system ram which can be varied by the application program to allow the connection of printers operating on other speeds.

The two soldering bridges E and F allow the control of two more interface signals, installed for future adaptations to printers requiring this signals active or not active. The last bit in the output control port is the used for control of KEYBOARD INTERRUPTS (SEE INTERRUPT CONTROL).

The INPUT CONTROL is used to input information from cassette and/or printer. Selection of port 20H inputs 8 bits according to figure 3.5.

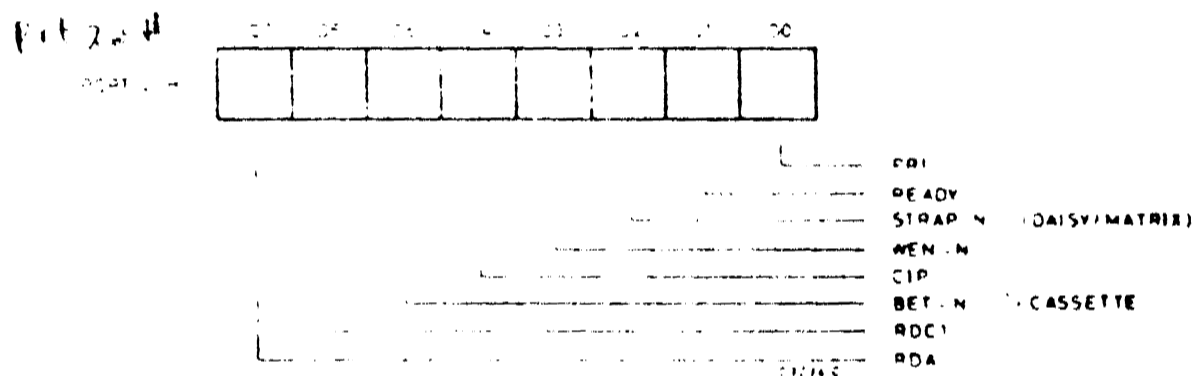


Figure 3.5 INPUT PORT (20H)

The printer control uses two bits.

Printer Input (PRI) is normally not used and only present for testpurpose. Via a V24 convertor this signal is connected to pin 2 of the V24 interface. Ready (READY) is signalling the ready condition of the connected printer. The printer deactivates this signal in case of failures and not operable conditions such as paper out detected.

The ready condition is also checked by the monitor program during data transmission. When the printers is becoming temporaly not ready because of a buffer full condition the transfer of characters is delayed until the printer becomes ready again. (figure 3.6).

Strap N is a hardware strap on the CPU-BOARD via which the selection of either a daisy-wheel printer or a matrix-printer is made. It is used by the monitor program to select the required interface protocol (special character translation etc.)

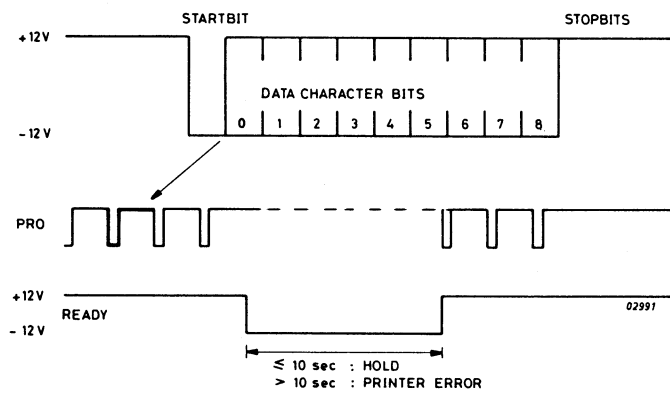


Figure 3.6 PRINTER INTERFACE

The CASSETTE INPUT consists of three status signals, a data signal and a clock signal. The Write Enable (WEN) signal is coming from the switch on the drive which is activated when a write enable plug is added to the cassette medium. Cassette In Position (CIP) is active when a cassette is loaded on the drive and the door is closed. Begin and End of Tape (BET) is signalled by the drive as a condition to stop the tape transport.

The Read Data (RDA) from the cassette is a serial bit pattern in Phase Encoded format. The Read Clock (RDC) is active at start of every new bit. This clock-pulse is triggering the CASSETTE TIMING flip-flop. The flip flop toggles on every clockpulse thus offering a timing signal (RDC 1) in phase with received data. The monitor program checks during a cassette read operation a change of the RDC 1 signal and then loads the value on RDA as a next bit.

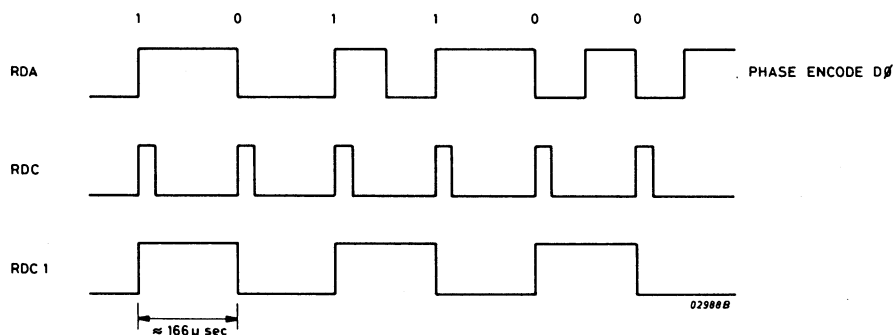


Figure 3.7 CASSETTE TIMING

The PEEPER is controlled via a flip-flop, triggered when port 50H is selected and loaded with the information from bit D0 of the databus. The monitor program gives a number of 0-1-0-1 changes to this port to give an audible alarm. This results for the T-version in an output to the audio channel of the TV and for the M-version the beeper, mounted on the CPU-board, is vibrating.

The DISA port is activated via an output on databit 1 (D1) and the selection of port 70H. It is used only for the M-version to select priority for access to the video memory. When DISA is active the CPU has the highest priority and video-refresh is disabled during CPU access into the video memory.



Bit 7 of the scroll-register P7 can be used by the software to disable the display of information on the screen. Information transfer between the video memory and CPU is done via a VIDEO BUS TRANSCEIVER which is enabled during CPU read and write actions into the video memory (VIDS).

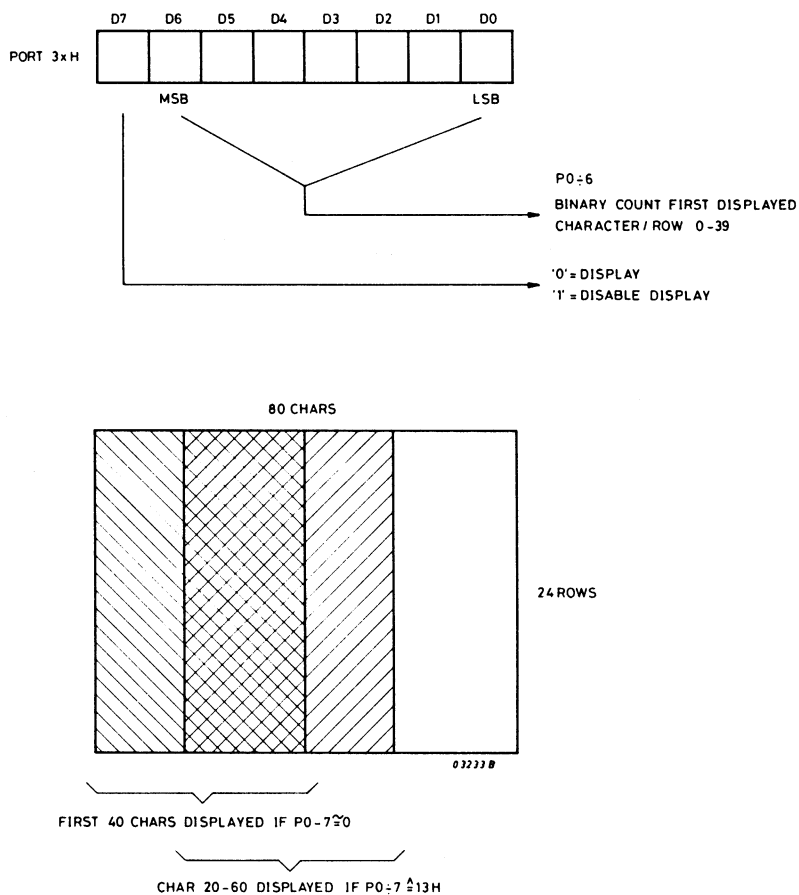


Figure 3.8 SCROLL REGISTER

### 3.1.4 VIDEO GENERATION T-VERSION (FIGURE 4.6.4)

This section generates the appropriate T.V. timing and video signals to compose a T.V. SCREEN. The TIMING CHAIN consists of a 6MHz scan frequency (F6), the dot frequency. The SAA 5020 circuit generates from this dot-timing the necessary timing for setting up a screen.

The signal F1 is the 1MHz character clock, giving a character time of 6μs to display 6 dots on the screen. The SAA 5020 contains a character counter, counting the number of character times to form one scan line. The total scanline time is 64μs. At character time 6 the line synchronization signal (GLR) is active and during character time the 15-55 the display of 40 characters on the screen is enabled.

During this 40 character times a character clock is offered on RACK, offering every displayable line 40 clockpulses to the character counter. A field rate counter in the SAA 5020 counts the number of scanlines in a field, in our case 313 scanlines. The displayable area of this is from scanline 49 to 289 being 240 scanlines to be used to display 24 rows of 10 scanlines each. The signal CRS is active during the even scanlines of the field. In our system we use only the odd scanlines, so no interlacing is used.

At the end of an odd field signal CRS is activated which is giving via a counter/decoder circuit a new field sync pulse (FS). At this moment again an odd field is started. This gives a total screen-refresh in 20msec (50Hz). The timing chain outputs also a row-address (RA0-4) giving the binary number of the row being displayed (0 - 23). The characters are extracted from the video memory via a VIDEO BUS DRIVER, enabled when no CPU action on the video memory is active (VIDS). Seven bits of the character are entering the CHARACTER GENERATOR (CRO-6). This circuit generates from the character code a serial dot pattern. The video outputs are signals y (monochrome video) B (blue), G (green) and R (Red).

Several versions of this character generator are available, for the display of various national version characters. (SAA5050, 5051, 5052).

The character set includes alphanumeric codes in a 5x7 matrix and graphic codes in 6x10 matrix (Figure 3.9). The character generator decodes also the specific control characters, selecting special features as CHARACTER/GRAPHIC selection, display colour/background colour, double height characters flashing characters etc.

Selection of double height characters in the character generator is signalled back via TLC to the timing chain which is then counting 20 scanlines per row. The screen is blanked via input DE inactive, which signal is coming from bit P7 of the scroll-register. Display of the cursor is controlled via a separate circuitry INVERSE VIDEO control.

The cursor information is stored in bit 7 of the video memory (CR7). When this signal is active it inverts the outputs of the character generator via an exclusive or gate.

The information which is now formed can be sent directly to a special Television Set adapted with a RGB-interface. This interface requires only a composite sync-signal, (SYNCH) the three colour signals (R,G,B) and the signal BEEP for audible alarm.

For connection at a standard TV the information is first modulated on a MODULATOR PCB. This modulator outputs a VHF - or UHF - modulated video signal. The modulator requires, apart from video signals also a burst - signal and PAL frequency for the compatibility to either PAL or NTSC modulation systems.

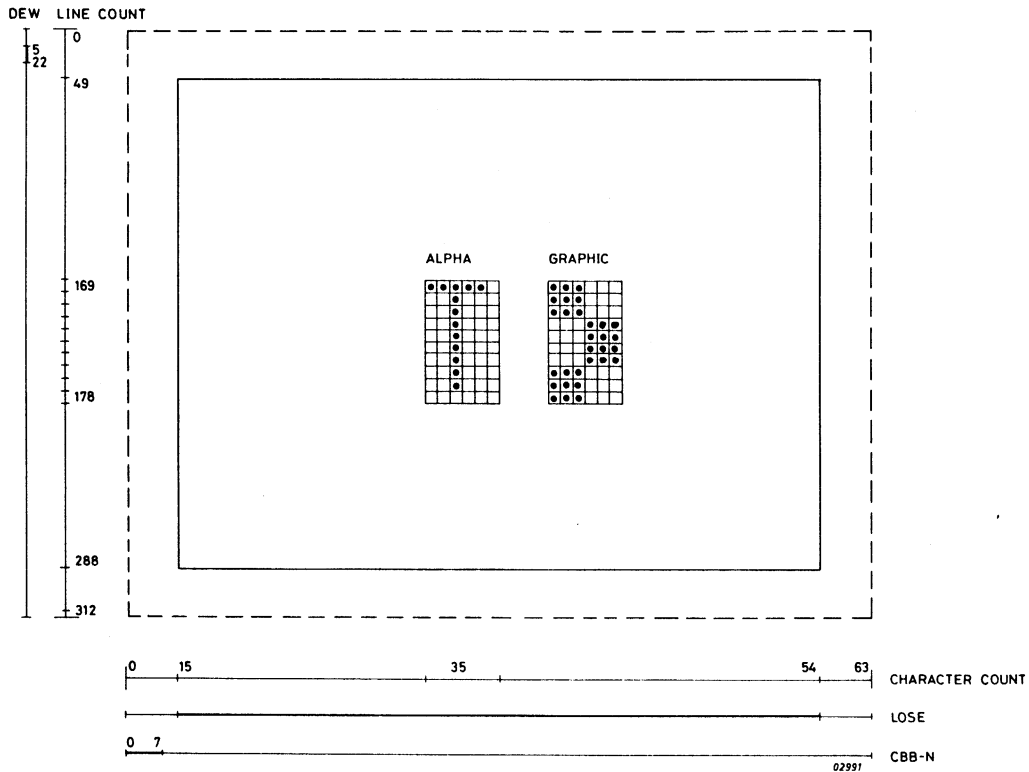


Figure 3.9 VIDEO TIMING (T)

### 3.2 VIDEO BOARD (M-VERSION FIGURE 4.7)

This board is used only in the M-version to control the professional video monitor of the monitor cabinet. In this case the CPU-board does'nt provide the video memory and video generation logic.

The video board can be splitted in four functional parts:

- BUS control
- Video Timing
- Video Memory
- Video Generation

#### 3.2.1 BUS CONTROL FIGURE (4.9.1)

The video memory is selected in two ways:  
 The CPU addresses either the video memory of 2K8 containing the characters or the 2K4 memory containing the attributes (VIDSEL). The screen is refreshed by addressing the video memory for both character and attributes as a 2K12 memory (REFSEL) (Figure 3.10).

The VIDEO MEMORY DECODER decodes the address for selection of both video and attribute memory with signal VIDS (5000 H-5FFFH).

The BUS CONTROL selects a data transceiver into read mode (DBRDU) on the conditions of reading from video or extension RAM (RAMRQU), read from I/O ports on the extension board (IORQU, port 80H-FFH) of a read from the interrupting device on the extension board (INTA).

The bus control logic enables also the bus transceivers of either video or attribute memory during data transfers between CPU and memory. (DBENA, DBENV).

The REFRESH CONTROL circuitry is used to generate an access to both video and attribute memory when new information is needed by the video generation. The refresh action is done once for displayed row, controlled by timing signals from the video timing (L11, C0490). During scanline 11, character time 4 up to 90 of every row the signal REFSEL is active, indicating a screen refresh action. A special circuitry is provided in this logic to prevent that both screen refresh access and CPU access is made to the video memory. This is controlled via signal DISA from port 70H of the CPU board.

When the signal DISA is, active the CPU access to the video memory has the highest priority and the information which is going to be displayed is temporaly wrong. When the signal DISA is made inactive the screen-refresh has the highest priority. If now during screen refresh (LIN11) the CPU attempts for a data transfer a WAIT signal is activated which forces the CPU into wait mode as long as LINE 11 is active.

The CHIP SELECTION VIDEO MEMORY selects out of 4 banks of 1K video memory. CS 1, 2 select the video data memory (5000-57FFFH) and CS 3,4 select the video attribute memory (5800H-5FFFH). The chip selects signals are decoded from the video address bus (VA10-11). During CPU access the banks are addressed separately but during video refresh both attribute and data has to be accessed at once. This is done with help of the multiplex circuitry selecting either CS3 (normally) or CS1 (during screen refresh) to be the selection signal for the attribute bank (CS31)

So during refresh actions (LIN11) the signals CS1 and CS31, or signals CS2 and CS 42 are active.

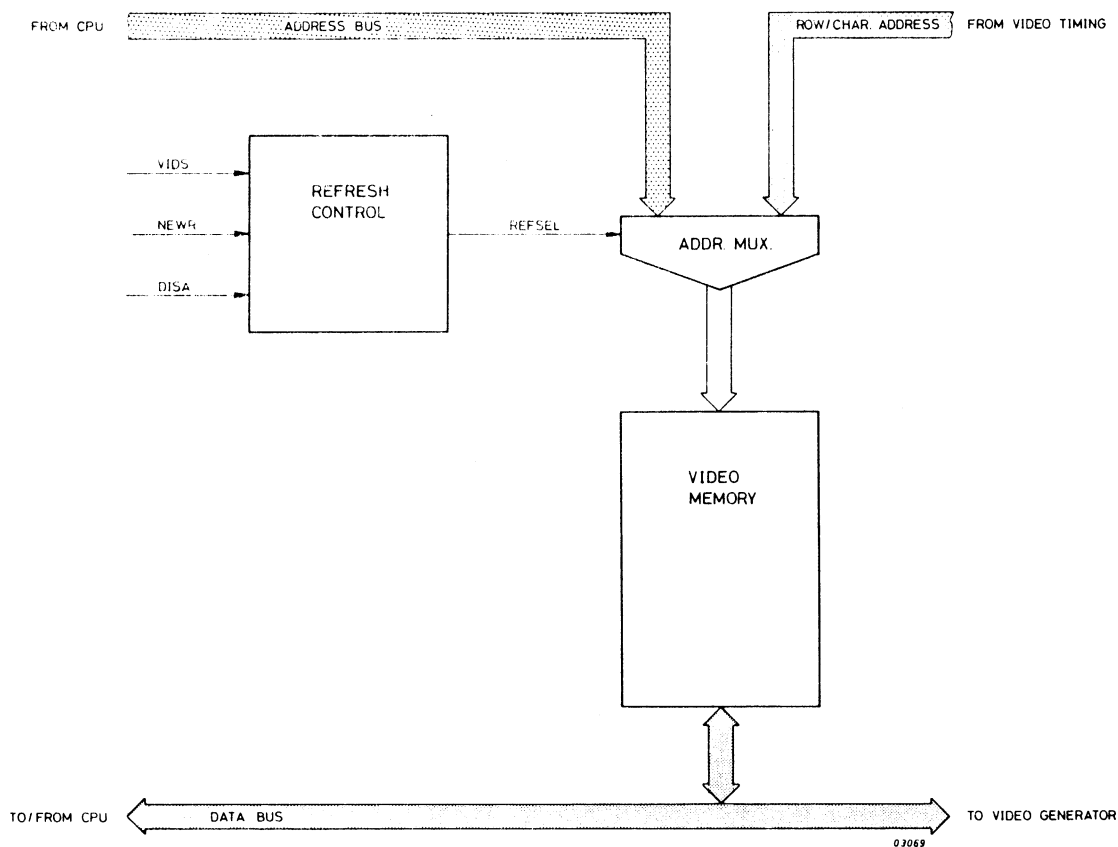


Figure 3.10 VIDEO MEMORY ACCESS

### 3.2.2 VIDEO TIMING (FIGURE 4.9.2)

The VIDEO TIMING offers the necessary timing signals to generate a screen. (Figure 3.11). The timing is derived from a crystal clock generating a 12MHZ dot-timing (V12M).

The dot timing triggers a DOT COUNTER which is counting 8 dots to display a complete character, including the spacing between the characters (DCO-2). The dotcounter position 7 and 0 are decoded in the DOT DECODER to be used for internal timing purposes.

Every 8 dots (DOT 7) the CHARACTER COUNTER is triggered, counting with two counter circuits, 96 character times to display a complete scanline of the screen (CCO-6).

The CHARACTER DECODER outputs a number of timing signals to be used by the video generation logic. C0686 is the displayable area on the screen, during this 80 character times video display is enabled. From character time 4 up to 90 (C0490) the video memory is addressed for screen refresh to fetch a new row of information. Characters are loaded from memory into video generation logic during character counter positions 0 upto 85 (C085). The HOSY signal synchronizes the monitor electronics horizontal deflection signal from character 92 to 0 or 16, which is strap selectable to allow the connection of several monitor types.

Every last character time of a scanline (C95) the LINE COUNTER is triggered, which counts totally 12 scan lines to display one row of information (LC0-3). The LINE DECODER decodes the last line of a row (L11) which is used to reset the line counter and during this scanline also new information is fetched from memory for screen refresh. LINE 9 is used in the video generation to enable the display of an underline.

Every last scanline (L11) the ROW COUNTER is triggered, counting with a 5 bit counter totally 26 row times to compose a screen (RC0-4). At the end of row 25 the counter is synchronously reset with signal R2425. This signal appears every 20ms, the total screen time, and is used also as timing signal for the interrupt logic (KEYBOARD).

The ROW DECODER outputs the signal VESY for vertical synchronization of the monitor electronics which is derived from row 24 (R24). Vesy is active at the trailing edge of R24, so at the end of row 24 (last displayed row) a vertical flash back is started. A soldering bridge is available to allow for the connection of a monitor with active-high going vesy pulse. The signal NEWR takes care for loading new row information during the 24 displayable rows.

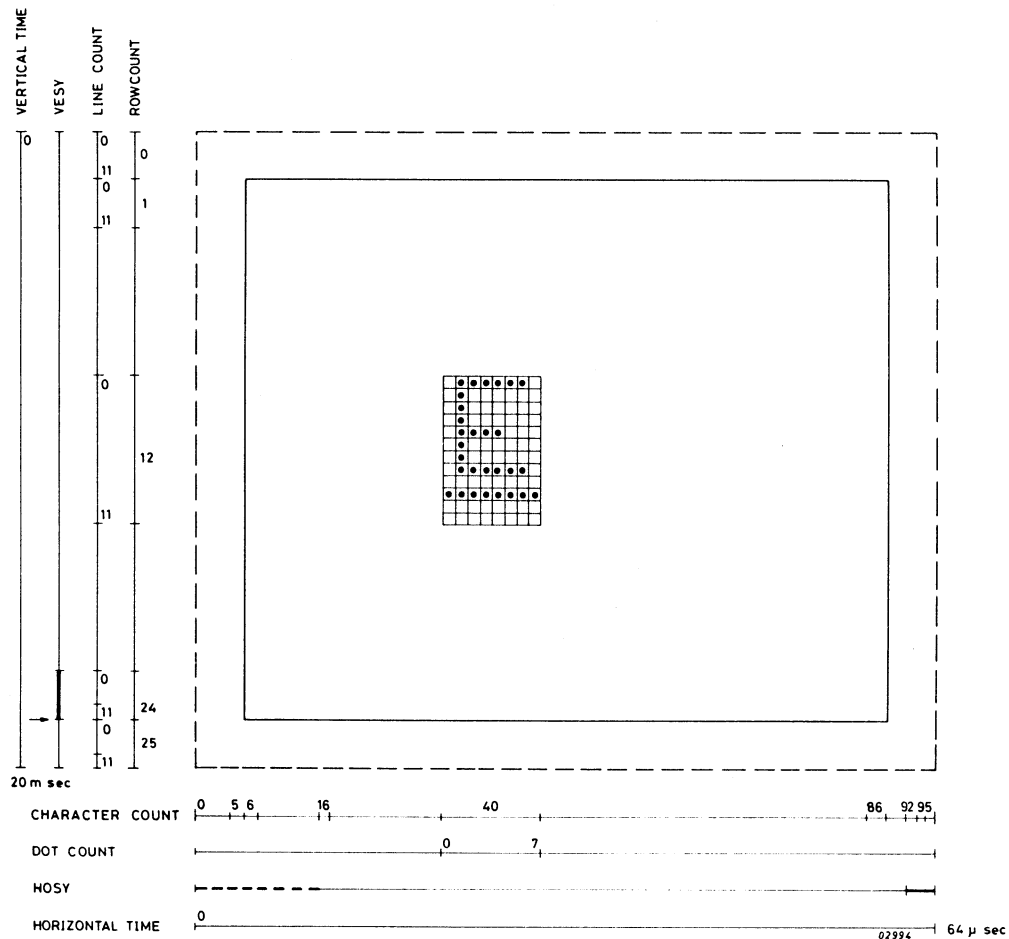


Figure 3.11 VIDEO TIMING (M)

### 3.2.3 VIDEO MEMORY (FIGURE 4.9.3)

The VIDEO MEMORY consists of 2 parts. The PAGE MEMORY ATTRIBUTES consists out of 2 circuits of 1K4 forming a 2K4 memory area. The 4 bits contain graphic (DGRA), underline (DU) blinking (DBLI) and inverse (DINV) information. (Figure 3.12). The memory is loaded via the video bus transceiver from data bit DUO-3 respectively, enabled during CPU access with signal DBENA.

The PAGE MEMORY VIDEO consists 4 circuits forming a memory array of 2K8. The seven least significant bits contain the character codes to be displayed (DUO-6), while the last bit contains the cursor information (DCUR). CPU load and store actions into the memory are transferred via the video BUS TRANCEIVER from the CPU databus (D40-7) which is enabled with signal DBENV.

The VIDEO ADDRESS MULTIPLEXER selects either the CPU address or a refresh address to be offered to the memory, controlled via signal REFSEL. The refresh address is offered by the ADDRESS COUNTER (ACO-11), formed by these 4 bit counters.

The counter control resets the counter (ACRES) at the begin of row 24 (LASTR). This results in fetching the information for ROW 1 at line 11 of row 24.

During refresh, happening every Row in line 11, the counter is stepped 80 times (C0585) thus offering a consecutive memory address to both the video and attribute memory (ACCL).

The ADDRESS and DATABUS DRIVER are used to increase the fan-out of the CPU busses.

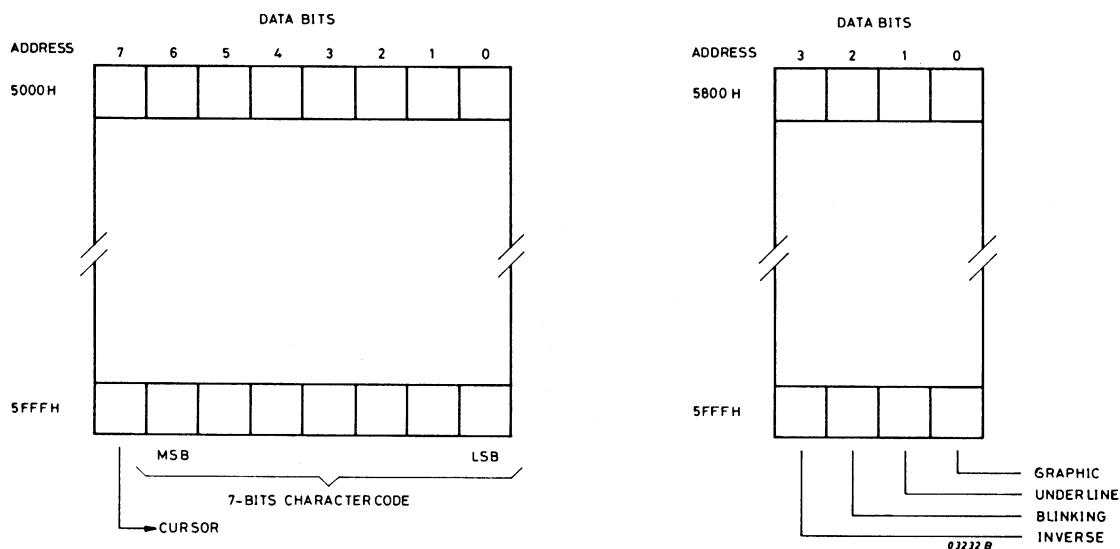


Figure 3.12 VIDEO MEMORY LAYOUT

### 3.2.4 VIDEO GENERATION (FIGURE 4.9.4)

The ROW MEMORY VIDEO and ROW MEMORY ATTRIBUTES are loaded every last scanline of a row with the information of the next row from memory. The ROW MEMORIES consists of 12 dynamic shift register memories of 80 bits each. The memories are clocked each scanline during character time 5 up to 85 bits (RMCL). Normally the memory is circulating, so the character which is outputted is also shifted back to the input. Only during scanline 11 new information is shifted in while the old information is shifted out. (NEWR).

The output of the video row memory is latched in the character latch (RMB0-6) and offered to the character generator. The last bit of the video row memory is not going to the character generator but is now forming an attribute for the video mixer (RCUR). One bit from the attribute row memory contains graphic or character selecting information (RGRA). This bit is offered via the CHARACTER LATCH to the character generator.

The character generator consists of 2 circuits, one for the upper 8 scan lines of a row and one for the lower 4 scanlines. It converts the coded information from the row memory to an 8 bit dot pattern for every scan line of the character to be displayed. This is achieved with two ROM circuits containing on every location a dot code. The ROM is addressed by the character code (RM80-6) the graphic or alpha bit (GRA) and the line counter (LCO-3). The character generator can also be found by one ROM circuit of 4K8.

The dot pattern (VIDO-7) is every character time (DOT0) loaded into the VIDEO SHIFT REGISTER and shifted out as a serial video data (VIDATA) every dottime (V12M ). The three other attributes, together with the cursor bit, are passing two ATTRIBUTE LATCHES to offer this signals at the same timing moment to the video mixer.

The VIDEO MIXER mixes the attributes to the serial video. When attribute underline or cursor is active during line 9 the video information is made active (ULCU9, DAUC). When either the cursor (CUR9) or the blinking (BLI) attribute is active (BLICUR) the video information is blanked in a blinking frequency (BLIFR) offered by a timer circuit. The video information (VIDINF) is inverted when the inverse attribute is active (INV) via an exclusive or gate. This information is then added with the displayable area of the screen (C0686 R0124) and offered to the monitor electronics (VIDEO).

### 3.3 EXTENSION BOARD (FIGURE 4.10)

The extension board offers two options to the P2000:

- memory extension
- floppy controller

#### 3.3.1 MEMORY EXTENSION (FIGURE 4.12.1)

The memory extension provides 1 or 2 memory banks, BANK0 and BANK1, to extend the RAM memory with maximum 2 X 16K8 RAM. A memory bank consists of 8 dynamic memory cells of 16K1 each.



The memory uses multiplex addressing, the address being offered in two steps, firstly a 7 bit row address and then a 7 bit column address, controlled via the ADDRESS MULTIPLEXER. (SCA) The memory in and output pins (DM0-7) are wired via the MEMORY BUS TRANSCEIVER to the tri-state databus on the extension board (DE0-7).

The databus on the extension board is connected via a DATA BUS TRANSCEIVER to the CPU-databus (DO-7) in the T-version, or to the video-board (DU0-7) in the M-version. The address bus is coming from the CPU-board (AO-14, RAMS2) in the T-version, or via the video board (AU0-14, RAMSU) in the M-version.

The BUS DRIVER provides a high drive capability for part of the address bus (AE0-7) and CPU-control signals (WRE etc). The ADDRESS DECODER decodes the most significant line of the address bus to select bank 0, from A000H up to DFFF H (BS0) and bank 1 from DFFFH up to FFFFH (BS1). This last area of RAM (BS1) allows only a direct CPU addressing of 8K memory.

To access also the upper 8K in this bank a programmable signal (RAMSW) is available which is offering for bank 1 the signal SEL8K as the upper address line to memory. During selection of bank 0 the signal SEL8K carries the address bit 13 (A13). Signal BS10 is active during selection of either bank 0 or 1. The signal IOE provides the selection of I/O ports on the extension board. It is directly related to address line 7 (port 80H to FFH).

The MEMORY TIMING circuitry delivers the required signal for multiplexed addressing of the RAM BANKS during CPU-access, and A RAS-only cycle during memory refresh (Refer to 3.1.1).

The BUS CONTROL enables the memory bus transceiver during access from the extension memory (MRDE) and selects the DATA BUS TRANSCEIVER for read mode during memory read, I/O read or interrupt vector read operations (RDE).

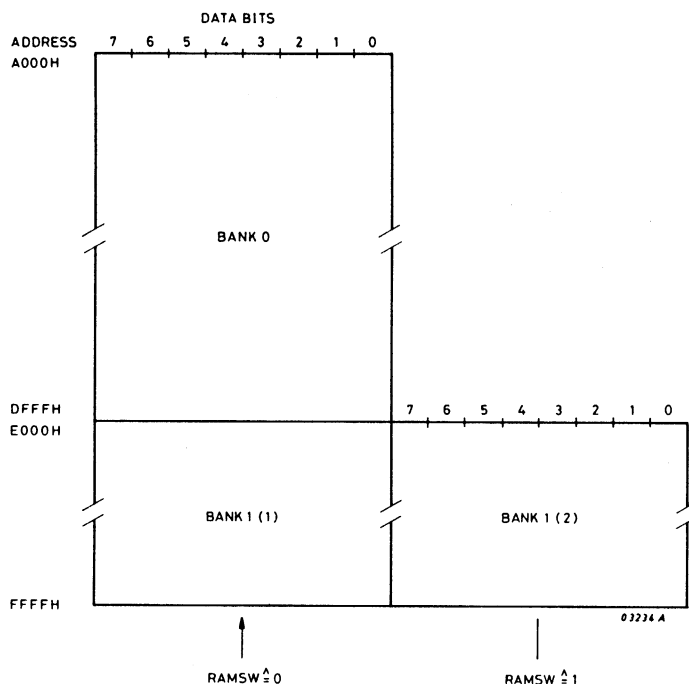


Figure 3.13 EXTENSION MEMORY LAYOUT

The DEVICE SELECTION logic delivers the required decoding for selection of the I/O ports on the extension board according to the next table:

PORT NUMBER	SELECT SIGNAL	DEVICE
88H - 8BH	CTCSEL	COUNTER/TIMER Z80-CTC
8DH - 8FH	FDCSEL	FLOPPY CONTROLLER $\mu$ PD765
90H	IOPSEL	FLOPPY/DC CONTROL PORT
94H	SWSEL	RAMSWITCH MEMORY BANK 1

Output port 94H selects a Flip-Flop (RAMSW) which is set when databit D0 is active. The address now offered by the CPU selects the upper 8K of the RAM BANK1. Output of a byte with bit D0 low reset the flip-flop after which the lower 8K of the BANK is selected. During output to port 90H the signal OUTSEL is active and during input port 90H the signal INPSEL is active.

### 3.3.2 FLOPPY CONTROL (FIGURE 4.12.2)

The main circuit to control the floppy disk drive is the intelligent FLOPPY CONTROLLER ( $\mu$ PD765). This controller can execute autonomously a number of commands such as search, format, Read track, Write Track etc. The controller performs this actions in three phases:

- COMMAND PHASE
- EXECUTE PHASE
- RESULT PHASE

In the command phase the controller is loaded with the command code and a number of variables. To do this first the main status register of the controller is read by reading from the controller (FDCS, FCRD) and signal FSTA active (A0 = 0). After that the bytes are written to the controller (FCS, FCWR). During execute phase the controller activates for every data transfer to /from the CPU the signal DRQ (DMA-mode). The floppy controller is designed to operate in semi-DMA mode.

The signal DRQ is scanned by the floppy controller software during the execution phase of a Read or Write command, via a read of port 90H (INPSEL). The signal DMA-request (DRQ) has to be answered with a DMA-acknowledge (DACK). This is realized by a read or write action to the controller with signal FCDK active. In this case no chipselection signal (FCS) is required.

When the execution phase is terminated, either by the controller itself or on request of the CPU (signal FCTC, terminal count) active, the controller is going to the result phase. On this moment an interrupt is raised (INT) which is processed by the interrupt controller and results in the execution of a floppy interrupt routine.

In the result phase one or more status bytes are read from the floppy controller by the CPU (FCS, FSTA, FCRD active).

The output port is selected when an OUT 90H instruction is executed. The four least significant bits of the output data are then stored in an output latch.

Bit 0 is used for selection of either data transfer or command/status transfers to the controller. (BIT 0 = 0 means command/status, BIT 0 = 1 means data transfer)

Bit 1 is used for premature termination of commands. (BIT 1 = 1 means Terminal count)

Bit 2 is used to select either reset or enabling of the floppy controller. (BIT 2 = 1 means enable, BIT 2 = 0 means reset)

Via Bit 3 of the output port the motor-on signal to the floppy drive is controlled.

(BIT 3 = 1 means motor-on)

The INPUT PORT is selected when a IN 90H instruction is executed.

Only BIT 0 is used of this port to input signal DRQ (data-request).

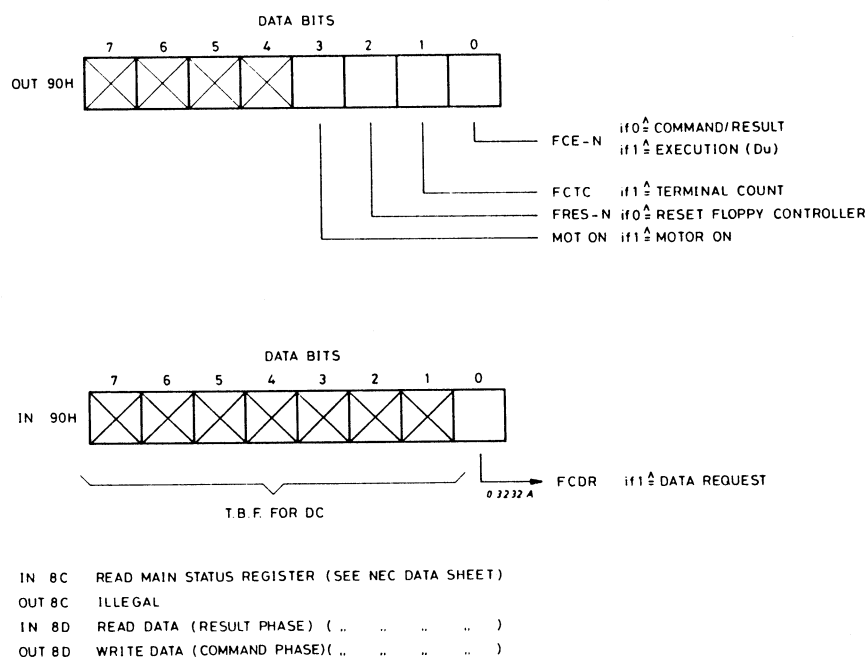


Figure 3.14 FLOPPY CONTROL PORTS

The FLOPPY TIMING circuitry offers the WRITE Clock for the controller (WCK) and a timing signal used in the read logic (T42).

The controller is designed for MFM operation (MODIFIED FREQUENCY MODULATION) signal MFM. This selects a read recovery timing signal of 4MHz (T4M) and a write Clock of 500KHZ (WCK)

The WRITE CONTROL logic is used for precompensation of the write data signal (WRDATA) giving phase shifts of the write data in steps of 250 ns. Selection of early (WDAE), normal (WDAN) or late (WDAL) is coming from the floppy controller (PS0,1) and depends of the pattern of data to be written on the diskette.

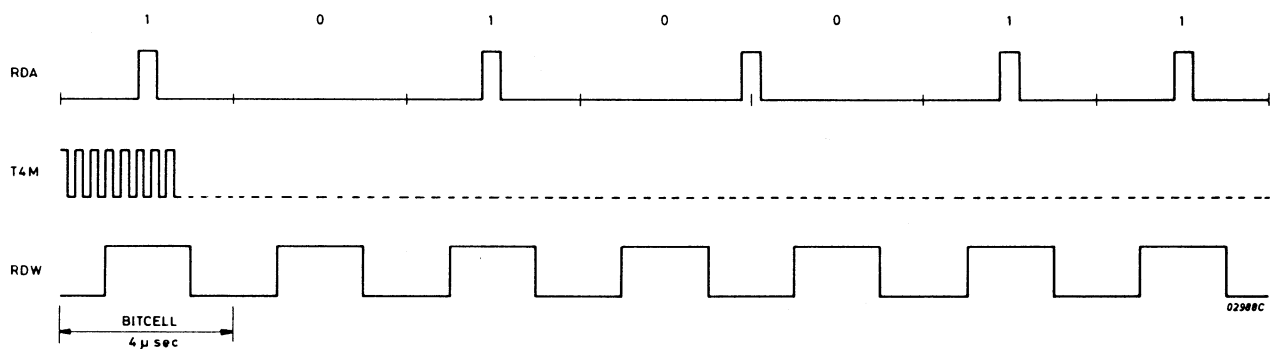


Figure 3.15 DATA RECOVERY

The STEP CONTROL circuitry is a multiplexing circuitry offering in R/W mode the write protection signal from the floppy-drive (WP/TS) while in seek mode the TRACK-00 detection is inputted (FLT/T90) and the step control signals direction (DIR) and step commands (STEP) are offered to the floppy drive. The DRIVE SELECT circuitry decodes the unit select signals from the controller (US0,1) to select either drive 1 or drive 2 (DRISEL 1,2).

The READY CONTROL circuitry generates a not ready interrupt (FNR) if no index pulses are detected after activation of the floppy-drive (HDL). Thus it detects if the diskette is entered, the door closed and the motor is running.

The INTERRUPT CONTROLLER consists of a programmable COUNTER/TIMER circuit (Z80-CTC). The circuit is programmed via selection of port 8CH to 8FH. It provides four channels, selected with address line 0 and 1 (AEO, 1).

Channel 0 has the highest priority and is programmed to give an interrupt when the clock/trigger input becomes active (FCINT). The interrupt is offered to the CPU (INT-N) which is operating in interrupt mode 2. This results in an interrupt cycle of the CPU, indicated with signal M1 and IORQ active together. The controller offers now a byte to the CPU which contains the, previously programmed, interrupt vector of the interrupting channel. With this information the CPU can branch to the required interrupt service routine, in this case the floppy controller interrupt routine.

A similar action is happening when the floppy becomes not ready, controlled via channel 1 (FNR).

Channel 3 is again programmed in interrupt mode to offer the necessary keyboard scan interrupt every 20ms.

The READ TIMING circuitry (Figure 4.12.3) synchronizes a read data window (RDW) to the read data from the drive (RDA).

The middle of this window indicates to the floppy-controller the begin and centre of a bitcell (Figure 3.15).

The read timing circuitry is released just before the data is expected from the drive.

This appears when the signal VCC from the drive is becoming active. The information from the drive (RDA), containing both clock and data information is first shaped in a one-circuitry (RDA1).

The timing of the datawindow is now compared with the incoming information, by latching the phase-difference in two flip-flops (DEARLY AND DLATE). The amplifier circuitry  $\mu$ A741 generates from these pulses a DC-voltage (PHASE DIFF.), the level of which depends on the phase difference between data and window.

This DC-level corrects the frequency of the datawindow until the phase difference is minimal. This is realized with a voltage controlled oscillator (4024), generating the datawindow via a divider circuitry.

### 3.4 POWER SUPPLY

This section describes the power supply boards of the basic and monitor cabinet.

#### 3.4.1 POWER SUPPLY BASIC CABINET (FIGURES 4.13/4.14)

The transformer supplies a voltage which is rectified via D1 and D2 and smoothed at capacitor C1 and C2. The voltage is then via three separate regulator circuits offered to the three boards of the basic cabinet. Regulator 1 and 2 are interconnected for the T-version to increase the +5V output power. The voltages of winding S2 are rectified via rectifier bridge D3.

By using the middle tap of the winding this results in the generation of a positive voltage over C3 and a negative voltage over C4.

The positive voltage is via regulator circuit 4 directly offered as +12V to all boards. The unregulated - voltage ( -20V) is directly supplied to all logic boards. An every board this voltage is regulated to supply - 5V and -12V.

Transistor TS1 and TS2 are forming a protection circuitry for the +12V supply. As long as the +5V is not available TS1 is non-conducting and TS2 is conducting. Thus the +12V is short-circuited as long as the +5V fails.

#### 3.4.2 POWER SUPPLY MONITOR CABINET (FIGURES 4.15/4.16)

The +5V supply for the FLOPPY DRIVES is derived from rectifier D1 via regulator circuit IC1. This voltage is also driving the power-on led of the cabinet. The voltage of the second winding from the transformer is rectified by a diode-bridge formed by D2 - D5 and smoothed with capacitor C14, 15, 16. IC3 regulates a voltage of +12V to be supplied to the monitor electronics. The +12V supply for the floppy - drive is regulated with IC1 and power-transistor TS1. The voltage is sensed via R2, R3, R4 and fed back to the regulator. The +12V supply is adjustable with R4.

### 3.5 ROM CARTRIDGE BOARD (FIGURES 4.17/4.18)

This plug-in module consists of a PCB to which up to 4 ROM-circuits of either 1K8, 2K8 or 4K8 program memory can be inserted. The address is offered via a bus driver. A binary to decimal decoder is used for chip-selection of the ROM-circuits. Soldering bridges A to I are used when ROM-type 2532 is used, to obtain pin-compatibility. Normally bridges 1 to 9 are soldered.

## 3.6 I/O CARTRIDGE BAORDS

### 3.6.1 VIEW DATA INTERFACE BOARD (FIGURES 4.19/4.20)

This board offers an interface to an asynchronous modem operating at 1200 B/S. The facility to send data from the P2000 via a backward channel at 75 B/S offers the possibility for a switched connection to the VIEW DATA systems. The main logic circuit on the PCB is the 8251 USART (IC11). This programmable circuit interfaces between the systems databus and the serial V24 modem interface.

The USART is selected by the P2000 - CPU via decoder circuit (IC10) which is decoding addresslines A4 - A7 during an I/O instruction. The USART contains several registers, which are selected with this decoder and the command/data input, (wired to addressline A0). This results in the next table for access and operation of the USART:

OUT 41	(after RESET) LOAD D0 - D7 INTO MODE REGISTER (used to select char. format, parity etc)
OUT 41	(other times) LOAD D0 - D7 INTO COMMAND REGISTER (used to activate transmit/receive actions)
IN 41	READ USART STATUS REGISTER (used to check on correct receive/transmit)
OUT 40	LOAD DATA INTO TRANSMIT REGISTER (character to be transmitted)
IN 40	READ DATA FROM RECEIVE REGISTER (fetch received character)

Circuits IC2 and IC3 are used to convert the modem interface levels (+12V/-12V) to TTL-level. The USART requires a transmission clock of 16x the actual bit-rate which is achieved by dividing the system clock  $\emptyset$  (2.5 MHz) by 130 with help of IC 4,5 resulting in clock frequency of 16X 1200 BD. The circuit IC6 gives another 16 x division, thus offering the required clock of 16x75 HZ for the backward channel transfers. Selection of either normal transfer (2x1200 B/S) or backward channel transmission (viewdata) is software controlled via IC 8.

This two-bit register is loaded from the databus with an OUT 60H instruction, the address bus again being decoded via IC10. Bit 6 active selects multiplexer IC9 to offer the reduced transmit clock to the USART while modem signal CT106(CTS) is ignored, and forced active. Bit 7 is used to activate the backward channel modulator (RTS2, PIN19) before the characters are sent.

### 3.6.2 SERIAL INTERFACE BOARD (FIGURES 4.21/4.22)

The serial interface board can be used as a general purpose communication interface. This board offers some other features than the viewdata interface board described above. The USART 8251 (IC2) is a programmable controller for both asynchronous and synchronous control. It controls, apart from serializing and deserializing of data, most of the V24 modem control signals such as DTR, DSR, RTS and CTS.

Via a separate input port (IC3) the software can check the presence of some other control signals (DCD (8) and CIN (22)).

The USART can be clocked either internally (strap 8,9) or externally (strap 7,10), however the external timing signals are not wired to the modem connector (TxC, pin 15 and RxC, pin 17).

The internal timing is derived from the systems clock  $\emptyset$  via a divider circuitry (IC 8,9). Switches S1 are used to select the required speed, closing one of the switches selects one timing out of a range of possible speeds. The port selection on the board is performed by a binary to decimal decoder of address lines A4 - A7 (IC7). A decoding of binary 4 on these addresslines selects the USART.

On the USART addressline A0 is wired to the C/D input which results in the same table as for the viewdata board:

```
OUT 40  WRITE DATA TO LINE
IN  40  READ DATA FROM USART
OUT 41  SET USART MODE (AFTER RESET)
      SET USART COMMAND (NEXT TIME)
IN  41  READ USART STATUS
```

The decoder output 6 enables the other ports on the board, together with a decoding of A0 and A1 this results in:

```
IN 61  READ STATUS PORT (DCD, CIN)
IN 62  READ GENERAL PURPOSE STRAPS
```

The last port is used to read a strap bank S2 via which the system can be informed about things like transmission type, required parity etc. This strapping depends of the application and are accessible by the user.

### 3.7 SIGNAL NAMES

AO -15 16 bit address bus  
ACO-11 Screen Refresh Counter (0-1919)  
ACCL Address Counter Clock  
ACRES Address Counter Reset  
AEO-7 Address Bus from CPU board (T-version) or Monitor board (M-version)  
AMO-6 Memory Address Bus  
AMO-7 Multiplexed Address Bus  
AUO-14 Address Bus to Upper boards  
AVO-10 Address Bus to Video Memory

BEES Beeper Select  
BEEP Activate the audible alarm  
BET Begin or End of tape  
BSO Bank Select 0 (A000H-DFFH)  
BS1 Bank Select 1 (E000H-FFFH)  
BS10 Bank Select 0 and 1

C95 Character 95 (last character)  
CA0-6 Character Address  
CARS 1 Cartridge selection 1 (1000H-2FFFH)  
CARS 2 Cartridge selection 2 (3000H-4FFFH)  
CAS Column Address Strobe  
CAS 0 Column Address selection bank 0  
CAS Column Address selection bank 1  
CCO-6 Binary Count - Character Counter (- 96)  
CIP Cassette in position  
C0585 Character 5 up to 85  
C0686 Character 6 up to 86  
CRO-6 Video Memory Data  
CS 1, 2 Chip Select 1 and 2 - Video Memory  
CS24, 13 Chip Select 3 and 4 - Video Attribute Memory  
CTC SEL Select Z80 CTC (Port 88-8B) timer

DO-7 8 bit bi-directional data bus  
DBENA Data Bus Enable Attribute Memory  
DBENV Data Bus Enable Video Memory  
DBRDU Data Bus Read Enable Attribute Memory  
DBLI Blinking Attribute  
DCUR Cursor Attribute  
DCO-2 Binary Count - DOT Counter  
DEO-7 Data Bus on Extension Board  
DBENA Data Bus Enable Attribute Memory  
DBENV Data Bus Enable Video Memory  
DBRDU Data Bus Read Enable Attribute Memory  
DBLI Blinking Attribute  
DCUR Cursor Attribute  
DCO-2 Binary Count - DOT counter  
DEO-7 Data Bus on Extension Board  
DEW Data Entry window. Active during scan line 5 to 22 (20msec)  
DGRA Graphic Attribute  
DINV Inverse Attribute  
DIRECTION Define Head Direction  
DISA Disable Access  
DISPS Disable Refresh Selection (M-version)  
DMO-7 Memory Data Bus, bi-directional



DOT 0	Dot 0 (first dot)
DOT 7	Dot 7 (last dot)
DUL	Underline Attribute
DU0-7	Data Bus to upper boards
DV0-6	Data Character to Row Memory
FCDK	Floppy Controller Data Acknowledge
FCDR	Floppy Controller Data Request
FCINT	Floppy Controller Interrupt
FCRD	Floppy Controller Read Control
FCTC	Floppy Controller Terminal Count
FCWR	Floppy Controller Write Control
FDCS	Floppy Disk Controller Chip Select
FDCSEL	Select UPD 765 FDC (Port 8C-8F) floppy controller
FNR	Floppy Not Ready
FRES	Floppy Controller Reset
ESTA	Floppy Status - Register Selection
FWD	Forward
GLR	General Line Reset
HOSY	Horizontal Synchronization
INDEX	Index pulse detection
INPSEL	Select Input Port (Port 90)
INS	Input Selection (I/O decoder)
INSEL	Input Selection (floppy disk controller)
INT	Interrupt Request
IOE	Input/Output enable extension bard (Port 80-FFH)
IORQ	Input/Output Request
INVERT	Inverse Video Control
KBS	Keyboard Selection
KBIEN	Keyboard Interrupt Enable
LIN 11	Line 11 (last line)
LOCK	Disables Interrupt generation if extension board is used
LO-3	Binary Count - Line Counter
LOSE	Load Output Shift Register
MBEN	Memory Bus Enable
MBEN 2	
MOTON	Motor On
MRDE	Memory Bus Read Enable
MREQ	Memory Request
NEWR	New Row
NMI	Non Maskable Interrupt
Ø	2,5 MHz Clock
Ø2	5 MHz Clock
OUTSEL	Select Output Port (port 90)

PRO	Printer Output
PO-6	Preset value of the character output
P7	Enables display of Data and Cursor
R0124	Row 1 to 24 (displayable rows)
R2425	Row 24 and 25
RA0-4	RAM Row Address
RACK	Read Address Clock
RAMS1	Random Access Memory Selection 1 (6000H-9FFFH)
RAMS2	Random Access Memory 2, Selects RAM on Extension board (A000H-FFFFH)
RAMSU	RAM select Upper Board
RAMSW	RAM Switch
RC0-4	Binary Counter ( ÷ 26)
RD	Read
RDA	Read Data
RDA-2	Read Data, synchronized with T4M
RDC	Read Clock
RDE	Data Bus Read Enable
RDW	Read Data Window
RDWR	Read or Write
READY	Printer Read
REFSEL	Screen Refresh Selection
RES	Reset Signal
RESA	Reset Switch
REV	Reverse
RFSH	Refresh
RMCL	Row Memory Clock
RMDO	Data Character from Row Memory
RMD7	Cursor Information from Row Memory
ROMS1	Read Only Memory Selection 1 (0000H-07FFFH)
ROMS2	Read Only Memory Selection 2 (0800H-0FFFFH)
SCA	Select Column Address
SCRS	Scroll Register Selection (T-version)
SEEK	Head movement operation
SEL8K	Selects upper 8K of bank 1
STEP	Causes head to move one track
TRK00	Track 0 detection
T4M	4MHz clock
USC,1	Unit Selection 0 and 1
VO-7	Video Data Bus
V12M	12MHz Video Timing (Dot Clock)
VESY	Vertical Synchronization
VIDO-7	Video dots 0-7
VIDATA	Video Data
VIDEN	Video Page Memory Enable
VIDEO	Video Signal
VIDS	Video RAM Selection (T-version)
VIDSEL	Video Memory Selection
VIDWR	Video Memory Write Enable

WAIT            Wait Request  
WCD            Write Command  
WDA            Write Data  
WE1,2,3,4    Write Enable memory chips (5000H-55FFFH)  
WEN            Write Enable  
WPROT         Write Protocol - Disk detection

X0-X9         Output to the ten scan lines of te keyboard matrix

Y0-Y7         Input from the keyboard matrix  
Y1            Video Output Monochrome  
Y2            Video Output Blue  
Y3            Video Output Green  
Y4            Video Output Red

### 3.8 INTERCONNECTIONS (FIGURE 4.3)

#### 3.8.1 CPU - BOARD TO VIDEO OR EXTENSION BOARD

1	L	21	A10
2	D	22	A11
3	D0	23	A12
4	D1	24	A13
5	D2	25	A14
6	D3	26	RAMS2
7	D4	27	MRQ-N
8	D5	28	RD-N
9	D6	29	INT-N
10	D7	30	WR-N
11	A0	31	IORQ-N
12	A1	32	WAIT-N
13	A2	33	M1-N
14	A3	34	RES-N
15	A4	35	LOCK-N
16	A5	36	RFSH-N
17	A6	37	DEW/R2425 -N
18	A7	38	Ø
19	A8	39	Ø2
20	A9	40	T4M

#### 3.8.2 CASSETTE INTERFACE (CPU - BOARD CONN. 1)

1	+12V
2	L
3	L
4	L
<del>5</del>	
-6	WDA-N
7	BET-N <i>u</i>
-8	WCD-N
-9	REV-N
-10	FWD-N
11	RDC <i>u</i>
12	RDA-N <i>u</i>
13	CIP-N <i>u</i>
14	WEN-N <i>u</i>

*F 4050*

#### 3.8.3 KEYBOARD INTERFACE (CPU-BOARD CONNECTOR 2)

1	X9	11	Y0
2	X0	12	Y2
3	X4	13	Y3
4	X1	14	Y4
5	X3	15	Y7
6	X2	16	Y5
7	X7	17	Y1
8	X8	18	Y6
9	X6	19	+5V
10	X5	20	L

### 3.8.4 RESET SWITCH (CPU/3)

1 RESA-N  
2  
3 L

### 3.8.5 I/O CARTRIDGE INTERFACE (CPU CONNECTOR 4)

1 A	∅	1 B	+5V
2 A	D0	2 B	D1
3 A	D2	3 B	D3
4 A	D4	4 B	D5
5 A	D6	5 B	D7
6 A	A0	6 B	A1
7 A	A2	7 B	A3
8 A	A4	8 B	A5
9 A	A6	9 B	A7
10 A	RD-N	10 B	RES-N
11 A	IORQ-N	11 B	M1
12 A	INT-N	12 B	L
13 A	BEEP 2	13 B	+12V
14 A	-12V	14 B	WR-N
15 A	L	15 B	L

### 3.8.6 ROM-CARTRIDGE INTERFACE (CPU CONNECTOR 5)

1 A	NMI-N	1 B	+5V
2 A	DM 0	2 B	DM1
3 A	DM 2	3 B	DM3
4 A	DM 4	4 B	DM5
5 A	DM 6	5 B	DM7
6 A	A0	6 B	A1
7 A	A2	7 B	A3
8 A	A4	8 B	A5
9 A	A6	9 B	A7
10 A	A8	10 B	A9
11 A	A10	11 B	A11
12 A	A12	12 B	CARS1-N
13 A	CARS 2-N	13 B	---
14 A	--	14 B	MRQ-N
15 A	L	15 B	L

### 3.8.7 PRINTER INTERFACE (CPU CONNECTOR 7)

1 NC  
2 PRI (RCD)  
3 PRO (TMD)  
4 NC  
5 HIGH (LOW SELECTION WITH STRAP E)  
6 HIGH (LOW SELECTION WITH STRAP F)  
7 L  
20 READY (PRINTER READY)

Signal levels in accordance with V28/RS232-C (+12/-12)

### 3.8.8 HF - MODULATOR INTERFACE (CPU CONNECTOR 8)

- 1 L
- 2 +5V (FILTERED)
- 3 BURSTFL(AG)-N
- 4 B (BLUE)
- 5 BURSTFL
- 6 PAL-FF
- 7 G (GREEN)
- 8 Y (MONOCHROME)
- 9 +12V (FILTERED)
- 10 R (RED)
- 11 NC
- 12 SYNC (POSITIVE)
- 13 BEEP (SOUND)
- 14 NC
- 15 L
- 16 HF-OUTPUT
- 17 L

### 3.8.9 RGB INTERFACE (CPU CONNECTOR 11)

- 1 GREEN
- 2 SYNC
- 3 L
- 4 RED
- 5 BLUE
- 6 BEEP

### 3.8.10 MONITOR INTERFACE (VIDEO PCB CONNECTOR 3 - MONITOR)

CONNECTOR 3 VIDEO PCB	CONNECTOR MONITOR	SIGNAL
1	1	L
2	1	L
3	9	VERT. SYNC
4	8	VIDEO
5	6	HORZ. SYNC.
	7	+12V
	10	GND, LOGIC
	5	GND, PROT
	8	EXT. BRIGHTNESS
	10	EXT. BRIGHTNESS

### 3.8.11 VIDEO BOARD TO EXTENSION BOARD

1	L	21	AU10
2	L	22	AU11
3	DU0	23	AU12
4	DU1	24	AU13
5	DU2	25	AU14
6	DU3	26	RAMSU
7	DU4	27	MREQU-N
8	DU5	28	RDU-N
9	DU6	29	INT-N
10	DU7	30	WRU-N
11	AU0	31	IORQU-N
12	AU1	32	WAIT-N
13	AU2	33	MIU
14	AU3	34	RES-N
15	AU4	35	LOCK-N
16	AU5	36	RFSHU-N
17	AU6	37	DEW/R2425-N
18	AU7	38	ØU
19	AU8	39	Ø2
20	AU9	40	NC

### 3.8.12 FLOPPY INTERFACE

1	L	18	DIRECTION
2	NC	19	L
3	L	20	STEP-N
4	NC	21	L
5	L	22	WRITE DATA-N
6	NC	23	L
7	L	24	WRGATE-N
8	INDEX-N	25	L
9	L	26	TRACK00-N
10	DRISEL 1-N	27	L
11	L	28	WRPROT-N
12	DRISEL 2-N	29	L
13	L	30	READ DATA-N
14	DRISEL 3	31	L
15	L	32	HEADSEL-N
16	MOTORON-N	33	L
17	L	34	NC

### 3.9 KEY TO DIAGRAMS

#### 3.9.1 LOGIC SYMBOLS

The logic symbols used on the diagrams are according to IEC STANDARDS (concern standardization 4T-D 1164-02)

Figure 3.16 is an example to illustrate the main notation rules.

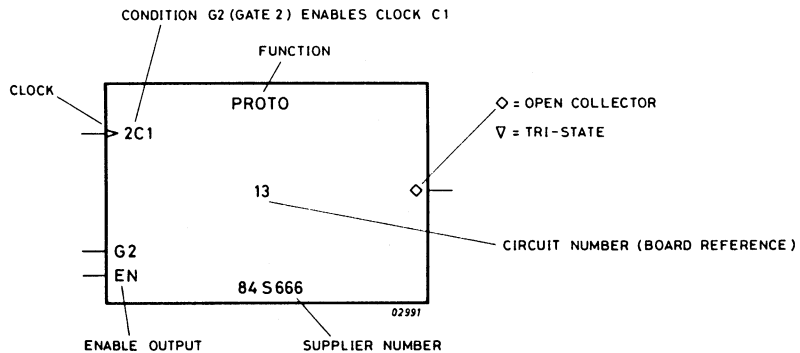


Figure 3.16 LOGIC SYMBOLS

#### 3.9.2 LOGIC CIRCUITS

74 LS00A	QUAD 2 - INPUT NAND	
74 LS02A	QUAD 2 - INPUT NOR	SIGNETICS
03	QUAD 2 - INPUT NAND, OPEN COLL.	"
04A	HEX INVERTER	"
08A	QUAD 2 - INPUT AND	"
10	TRIPLE 3 - INPUT NAND	"
11	TRIPLE 3 - INPUT AND	
12A	TRIPLE 3 - INPUT NAND, OPEN COLL.	
16	HEX INVERTER/BUFFER	
27	TRIPLE 3 - INPUT NOR	
32A	QUAD 2 - INPUT OR	
38	QUAD 2 - INPUT NAND, OPEN COLL.	
74A	DUAL D -TYPE FLIP-FLOP	
85	4- BIT COMPARATOR	
86A	QUAD 2 - INPUT EXCLUSIVE - OR	
107A	DUAL JK FLIP-FLOP	
109	DUAL JK FLIP-FLOP (POS. EDGE TRIGGERED)	
123	RETRIGGERABLE MONO STABLE MULTIVIBRATOR	
132	QUAD 2 - INPUT NAND, SCHMITT TRIGGER	
138B	3 - TO - 8 LINE DECODER	
139N	DUAL 2 - TO 4 LINE DECODER	
145B	BCD - TO - DECIMAL DECODER/DRIVER	
153N	DUAL 4 TO - LINE MULTIPLEXER	
157B	QUAD 2 - TO - 1 LINE MULTIPLEXER	
161B	4 - BIT BINARY COUNTER	
163B	4 - BIT BINARY COUNTER	
166	8 - BIT SERIAL/PARALLEL	
168N	4 - BIT 4P/DOWN SYNCHR. COUNTER	
174	HEX D-TYPE FF	
175B	QUAD D	FLIP-FLOP
193B	4 - BIT SYNCHR. BINARY UP/DOWN COUNTER	"
273B	OCTAL D - FLIP-FLOP	"
295	4 - BIT RIGHT/LEFT SHIFT REGISTER	"



367N	HEX BUFFER/DRIVER	SIGNETICS
INT3216	4 BIT BIDIRECTIONAL BUS DRIVER	INTEL
DM81LS97	TRI - STATE OCTAL BUFFERS	
DP8304	TRI - STATE OCTAL TRANSCEIVER	NATIONAL
MC1488	QUAD LINE DRIVER	MOTOROLA
MC1489	QUAD LINE RECEIVER	MOTOROLA
HEF4013BP	DUAL D-FF	SIGNETICS
HEF4022BP	DIVIDE BY 8 JONNION COUNTER	"
HEF40097BP	3-STATE HEX-BUFFER	"
MK1007 P	4 x 80 BIT SHIFT REGISTER	MOSTEK
HM 472114/4	1K4 STATIC RAM	HARRIS
MK 4116-4	16K1 DYNAMIC RAM	MOSTEK
82S123N	32 x 8 BIPOLAR ROM	SIGNETICS
82S129N	256 x 4 BIPOLAR ROM	"
LM1886	VIDEO MATRIX D TO A	NATIONAL
LM1889	VIDEO MODULATOR	NATIONAL
SAA5020	TELETEX TIMING CHAIN	PHILIPS
SAA505X	TROM-CHARACTER GENERATOR	PHILIPS
μPD765	FLOPPY CONTROLLER	NEC
Z80-CTC	COUNTER/TIMER CIRCUIT	ZILOG
Z80-CPU	MICROPROCESSOR	ZILOG

## LIST OF ILLUSTRATIONS

FIGURE		PAGE
4.1	POWER SUPPLY DISTRIBUTION BASIC CABINET	4-2
4.2	POWER SUPPLY DISTRIBUTION MONITOR CABINET	4-2
4.3	INTERCONNECTION DIAGRAM	4-3/4
4.4	BLOCK DIAGRAM CPU-BOARD	4-5
4.5	COMPONENT LAYOUT CPU-BOARD	4-6
4.6	LOGIC DIAGRAMS CPU-BOARD	4-7/8
4.6.1	CPU/MEMORY	4-7/8
4.6.2	I/O CONTROL	4-9/10
4.6.3	VIDEO MEMORY	4-11/12
4.6.4	VIDEO GENERATION	4-13/14
4.7	BLOCKDIAGRAM VIDEO BOARD	4-15
4.8	COMPONENT LAYOUT	4-16
4.9	LOGIC DIAGRAMS VIDEO BOARD	4-17/18
4.9.1	BUS CONTROL	4-17/18
4.9.2	VIDEO TIMING	4-19/20
4.9.3	VIDEO MEMORY	4-21/22
4.9.4	VIDEO GENERATION	4-23/24
4.10	BLOCK DIAGRAM EXTENSION BOARD	4-25
4.11	COMPONENT LAYOUT EXTENSION BOARD	4-26
4.12	LOGIC DIAGRAMS EXTENSION BOARD	4-27/28
4.12.1	MEMORY EXTENSION	4-27/28
4.12.2	FLOPPY CONTROL	4-29/30
4.12.3	READ TIMING	4-31
4.13	COMPONENT LAYOUT POWER SUPPLY BASIC CABINET	4-32
4.14	POWER SUPPLY BASIC CABINET	4-33
4.15	COMPONENT LAYOUT POWER SUPPLY MONITOR CABINET	4-34
4.16	POWER SUPPLY MONITOR CABINET	4-35
4.17	COMPONENT LAYOUT ROM-CARTRIDGE	4-36
4.18	LOGIC DIAGRAM ROM-CARTRIDGE	4-37
4.19	COMPONENT LAYOUT VIEW DATA INTERFACE	4-38
4.20	LOGIC DIAGRAM VIEW DATA INTERFACE	4-39
4.21	COMPONENT LAYOUT SERIAL INTERFACE	4-40
4.22	LOGIC DIAGRAM SERIAL INTERFACE	4-41

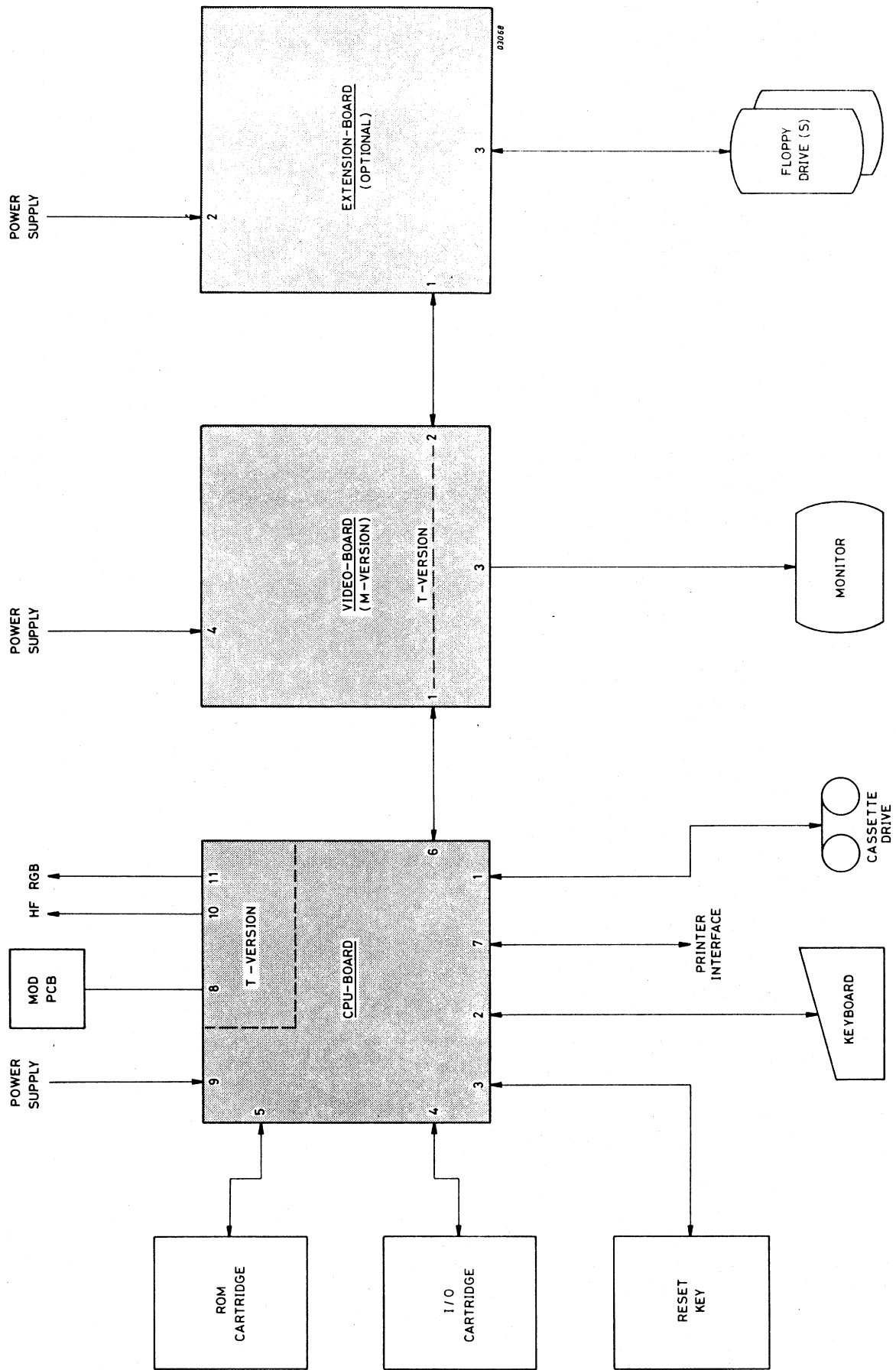
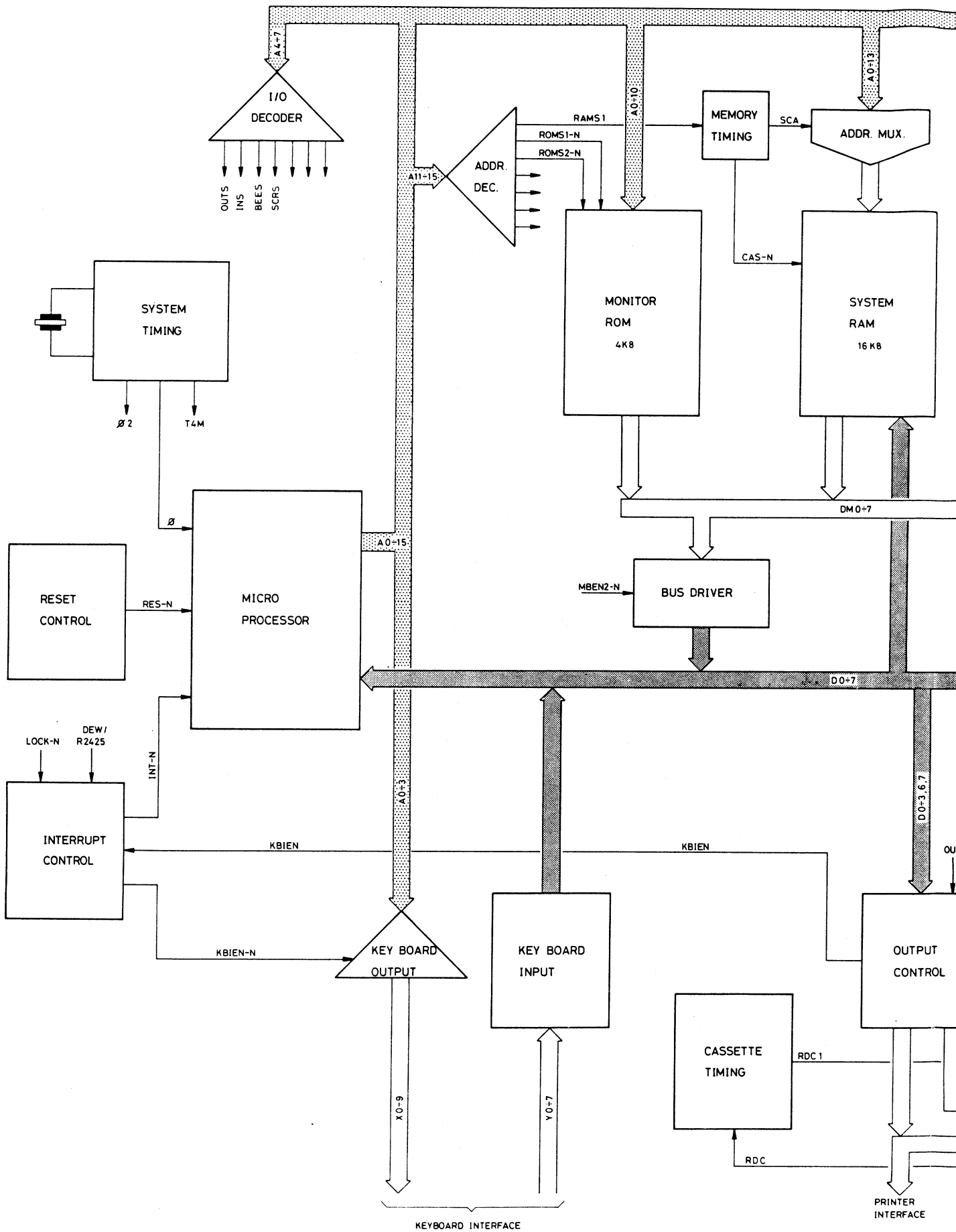


Figure 4.3 INTERCONNECTION DIAGRAM



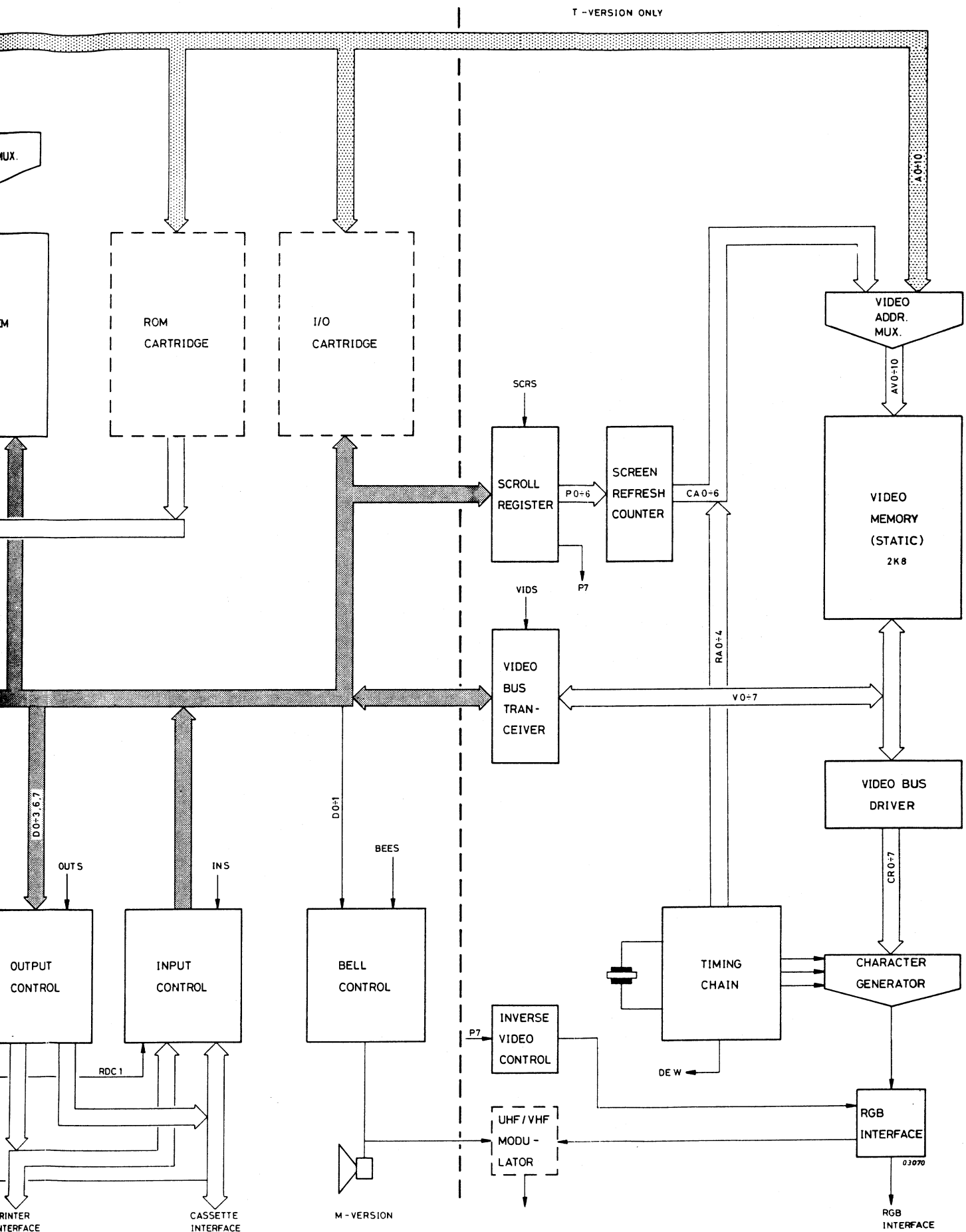
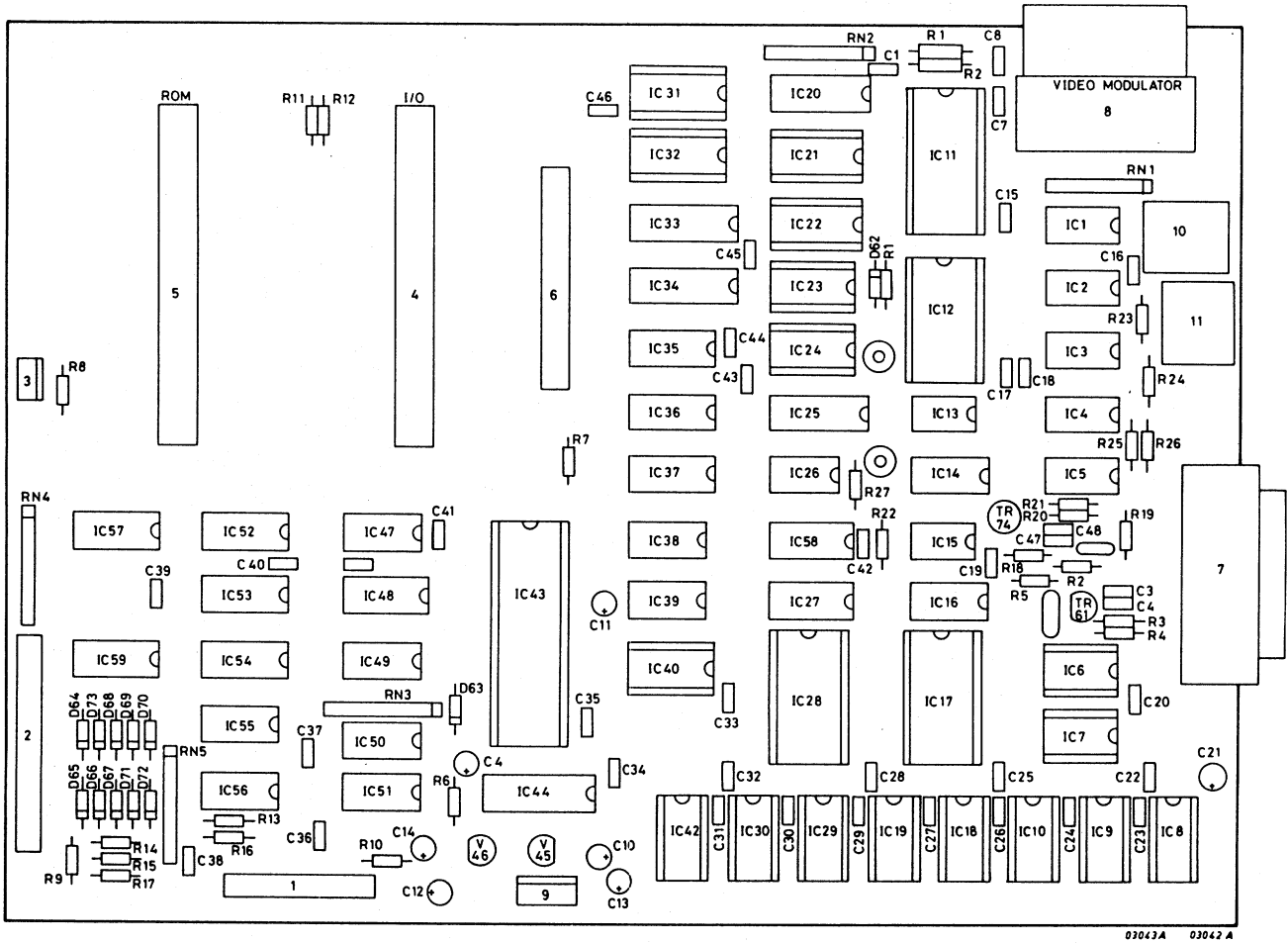
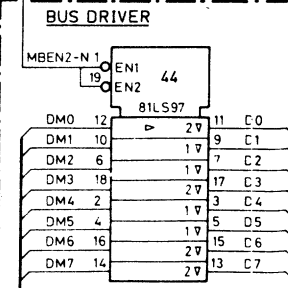
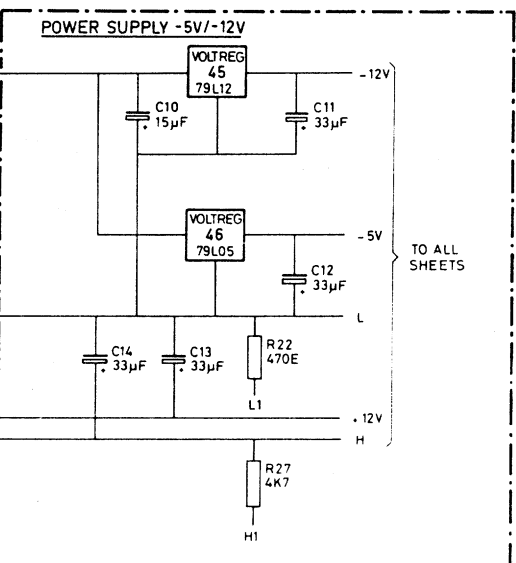
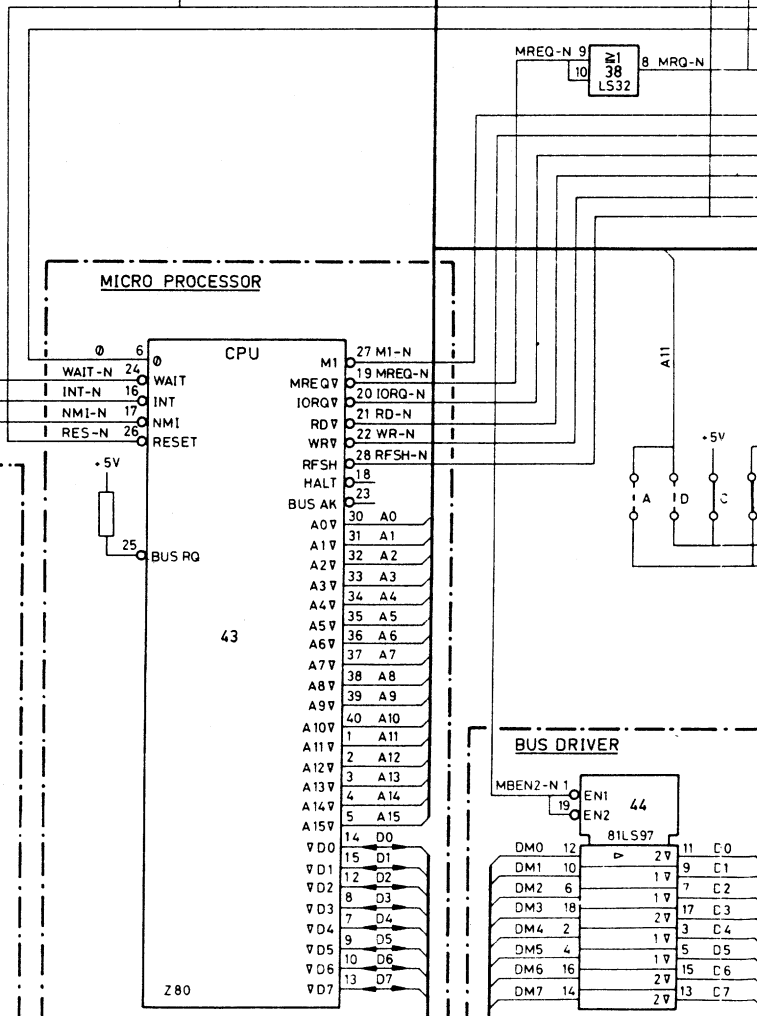
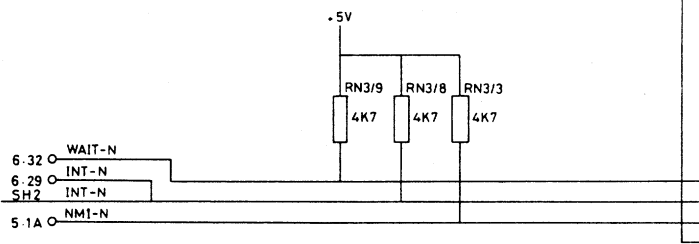
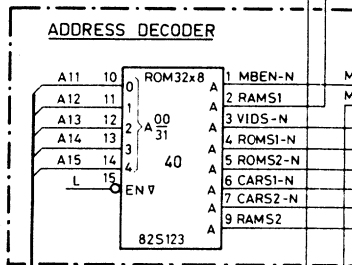
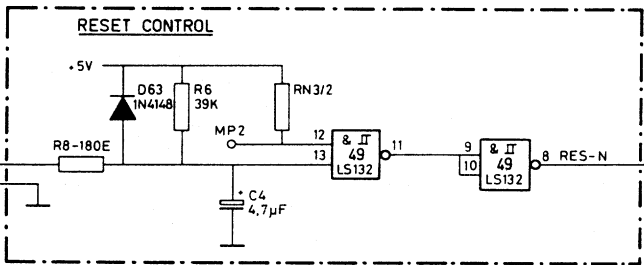
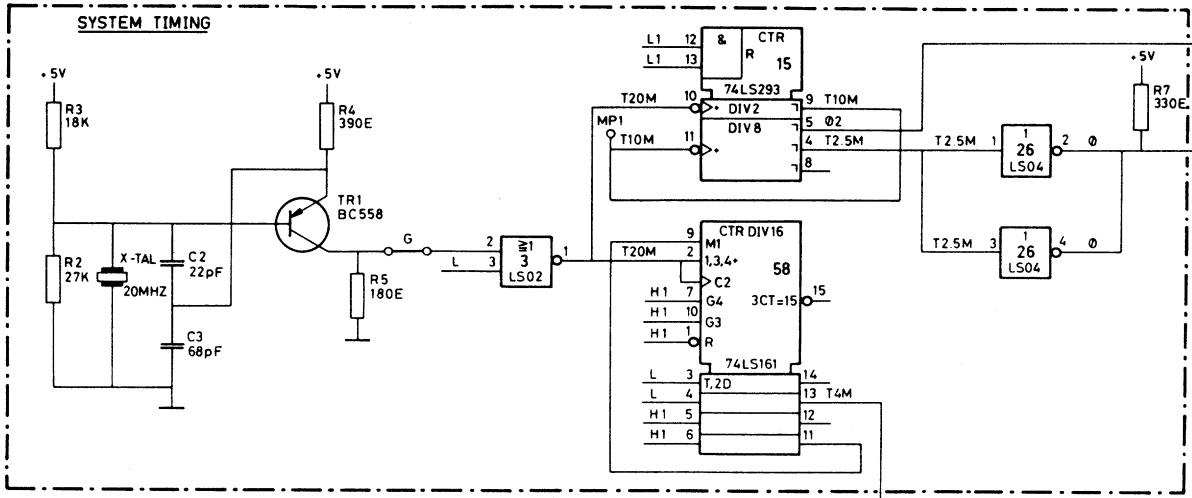


Figure 4.4 BLOCK DIAGRAM CPU-BOARD



03043A 03042A

Figure 4.5 COMPONENT LAYOUT CPU-BOARD



SH2.3 DO-7

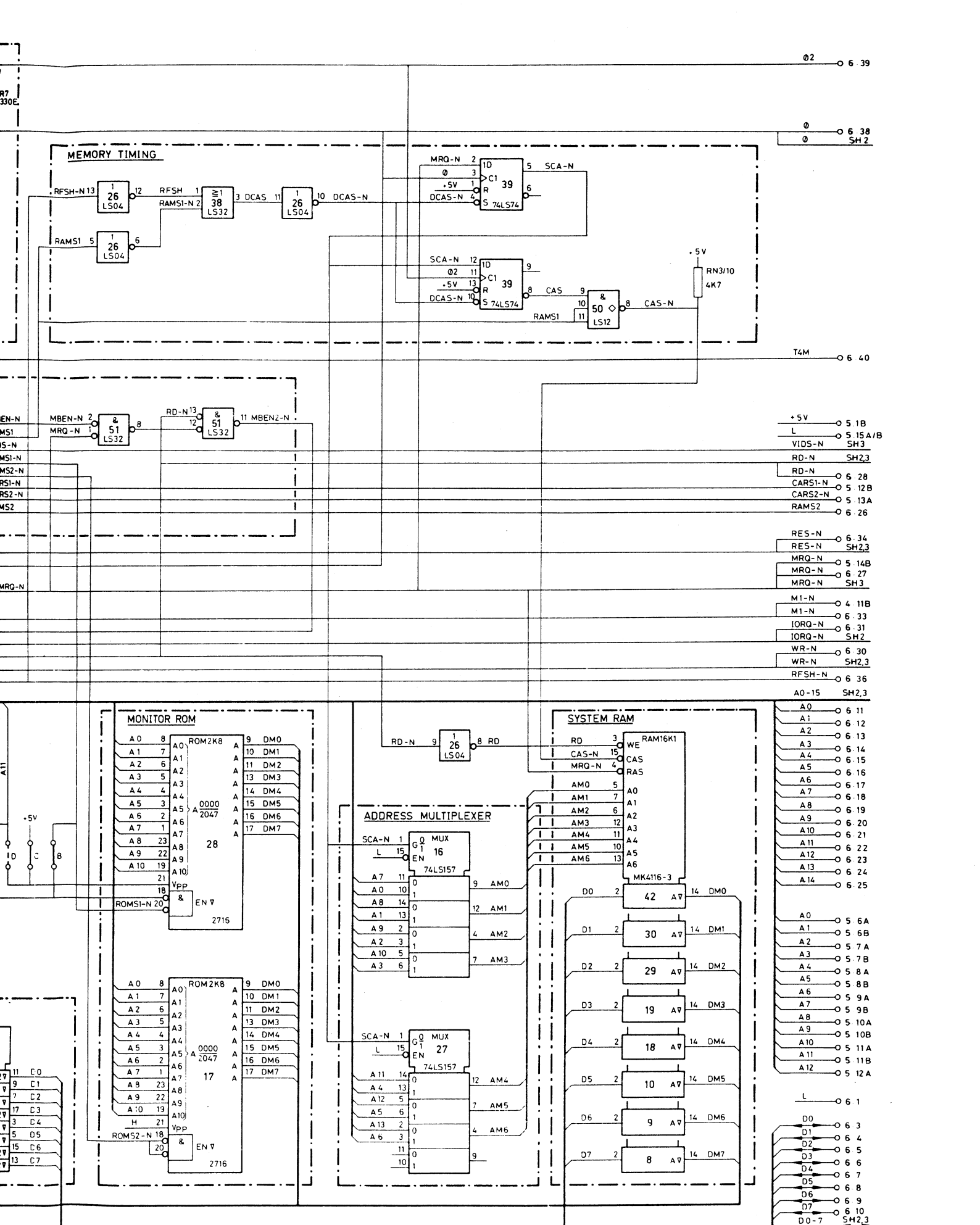
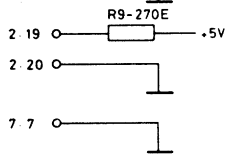


Figure 4.6.1 CPU-BOARD (CPU/MEMORY) SHEET 1



4.13A BEEP2  
 SH1 RD-N  
 SH1 IORQ-N  
 SH1 A0-7  
 SH1 +5V  
 SH1 -12V  
 SH1 -12V  
 SH1 GND

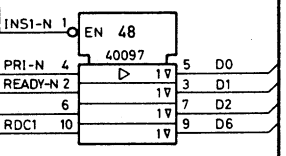
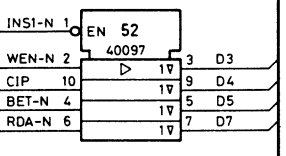
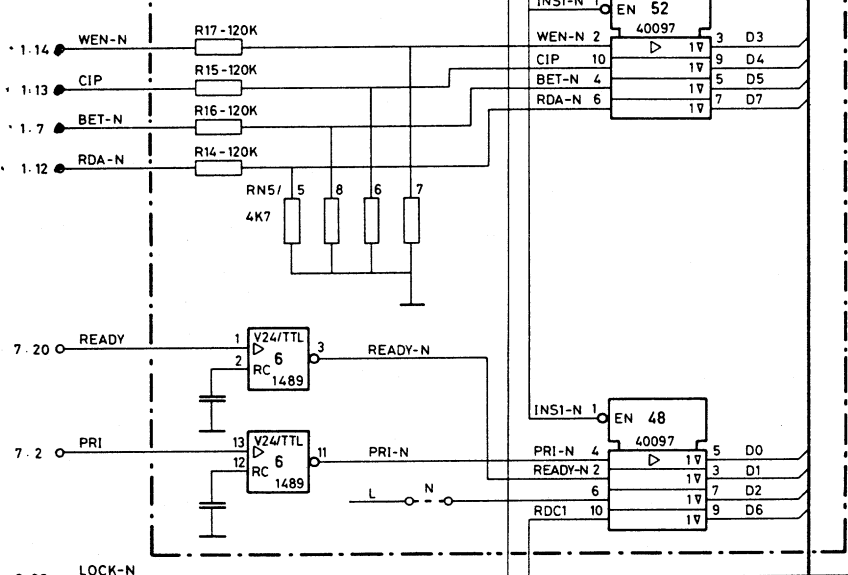


SH1 WR-N  
 SH1 Ø

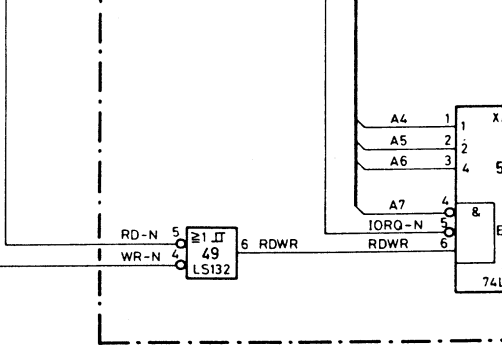
4.2A D0  
 4.2B D1  
 4.3A D2  
 4.3B D3  
 4.4A D4  
 4.4B D5  
 4.5A D6  
 4.5B D7  
 SH1.3 D0-7

SH1 RES-N

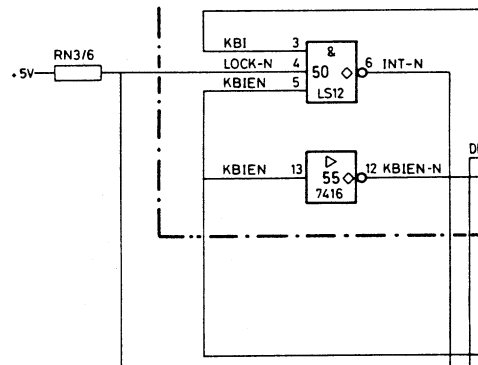
**INPUT CONTROL**



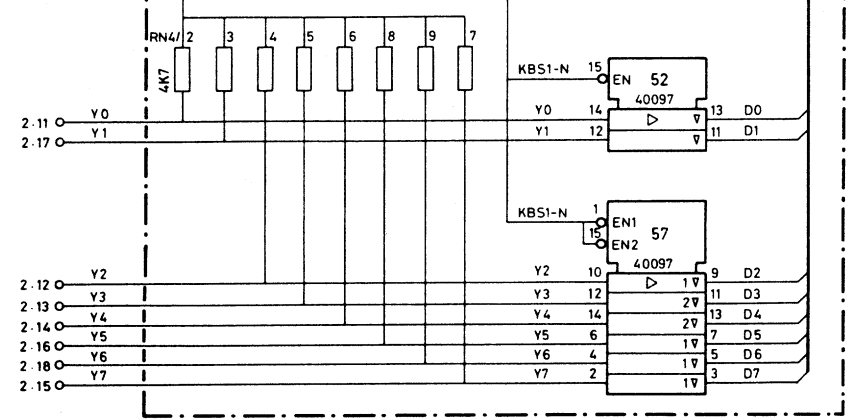
**I/O DECODER**



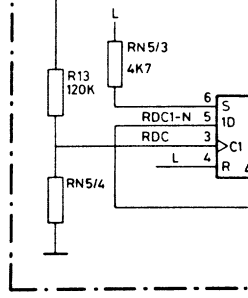
**INTERRUPT CONTROL**



**KEYBOARD INPUT**



**CASSETTE TIMING**



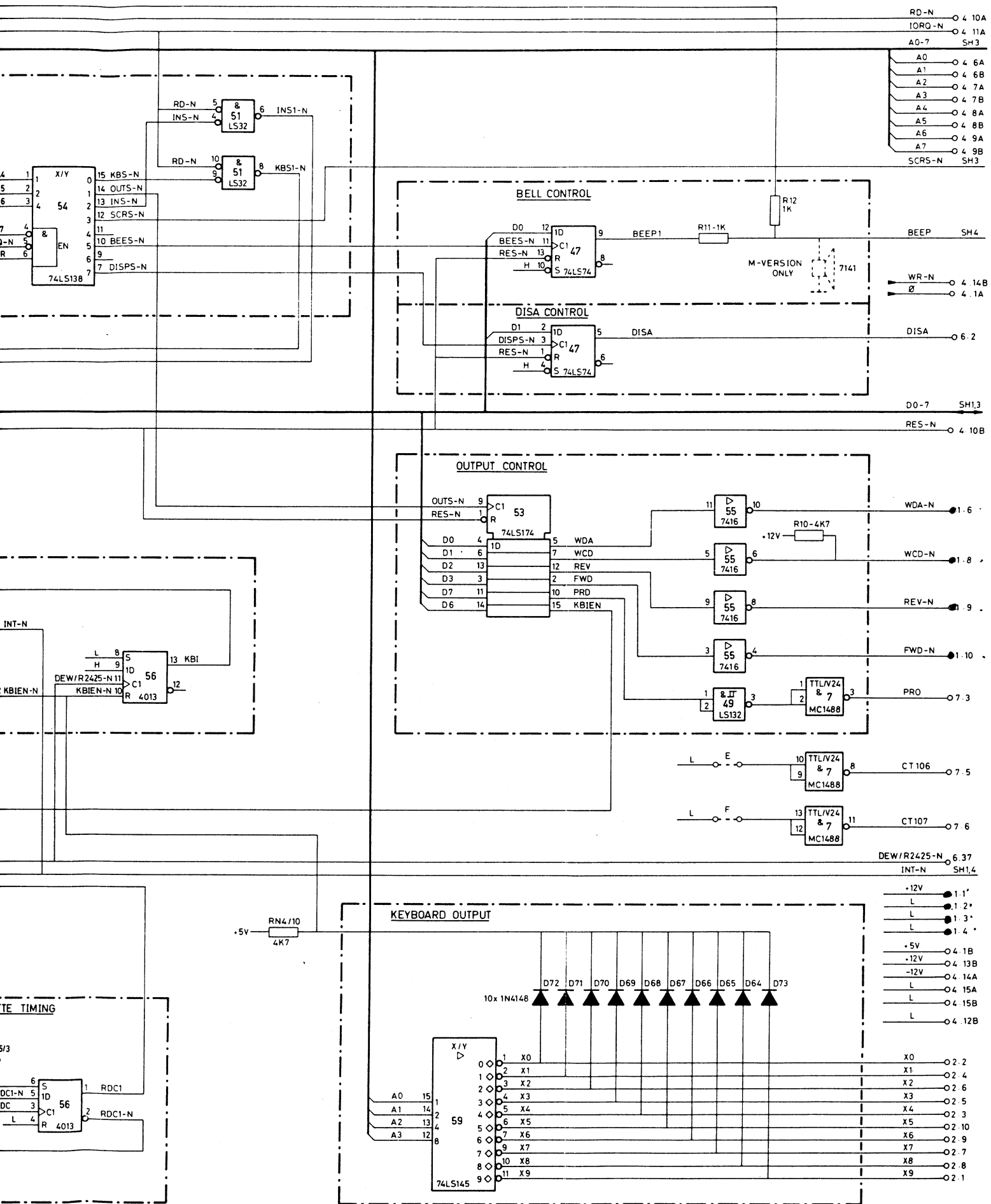
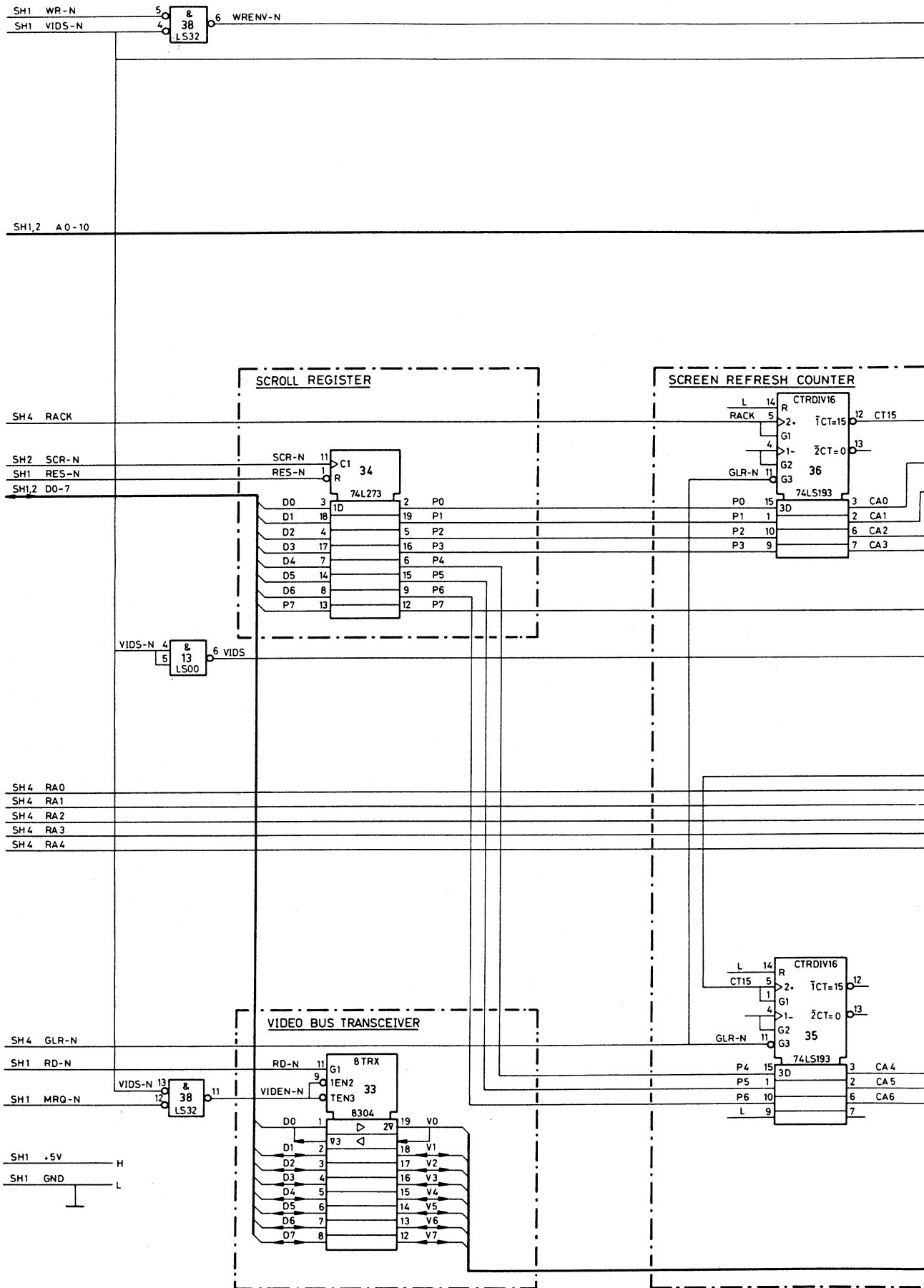


Figure 4.6.2 CPU-BOARD (I/O CONTROL) SHEET 2



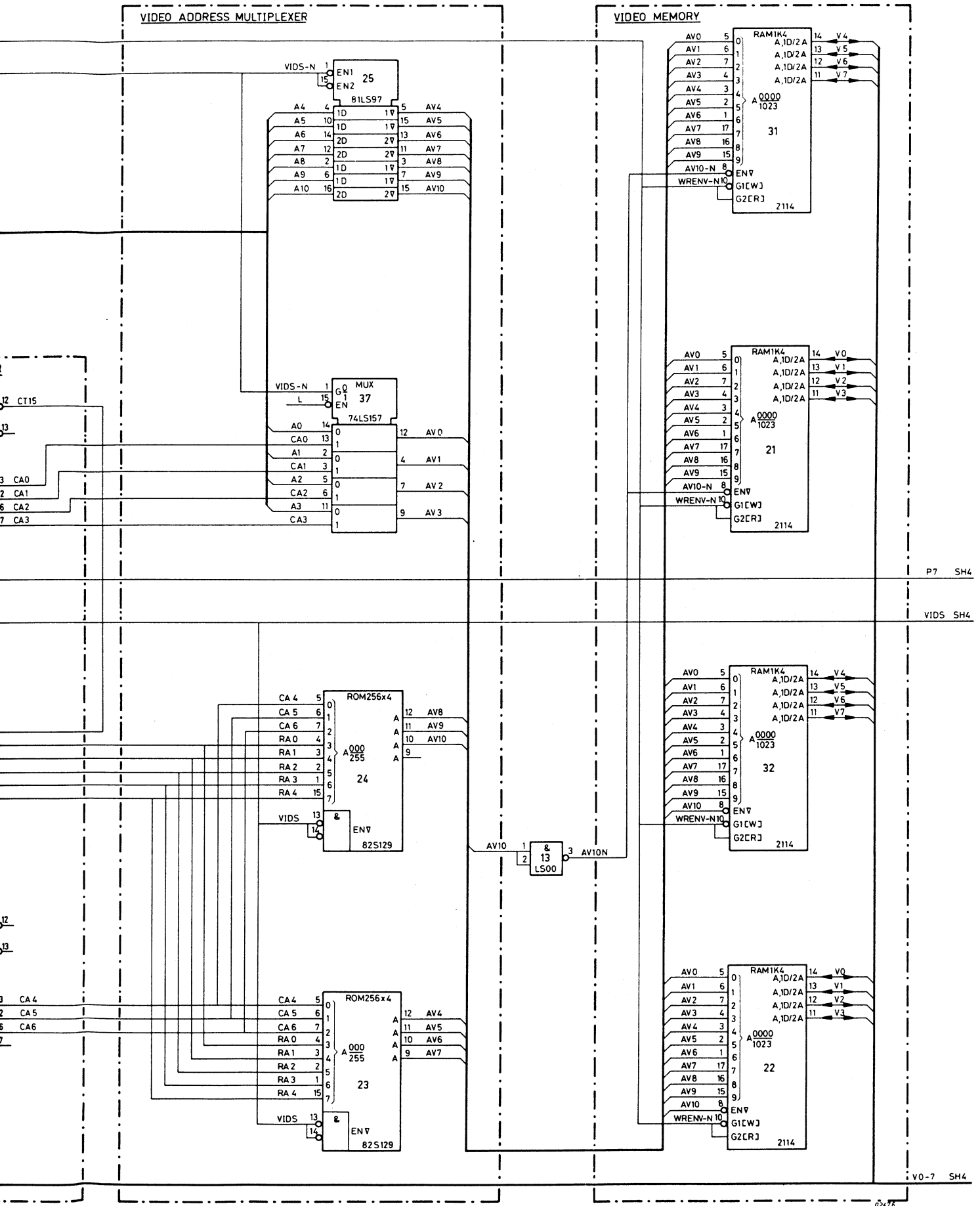
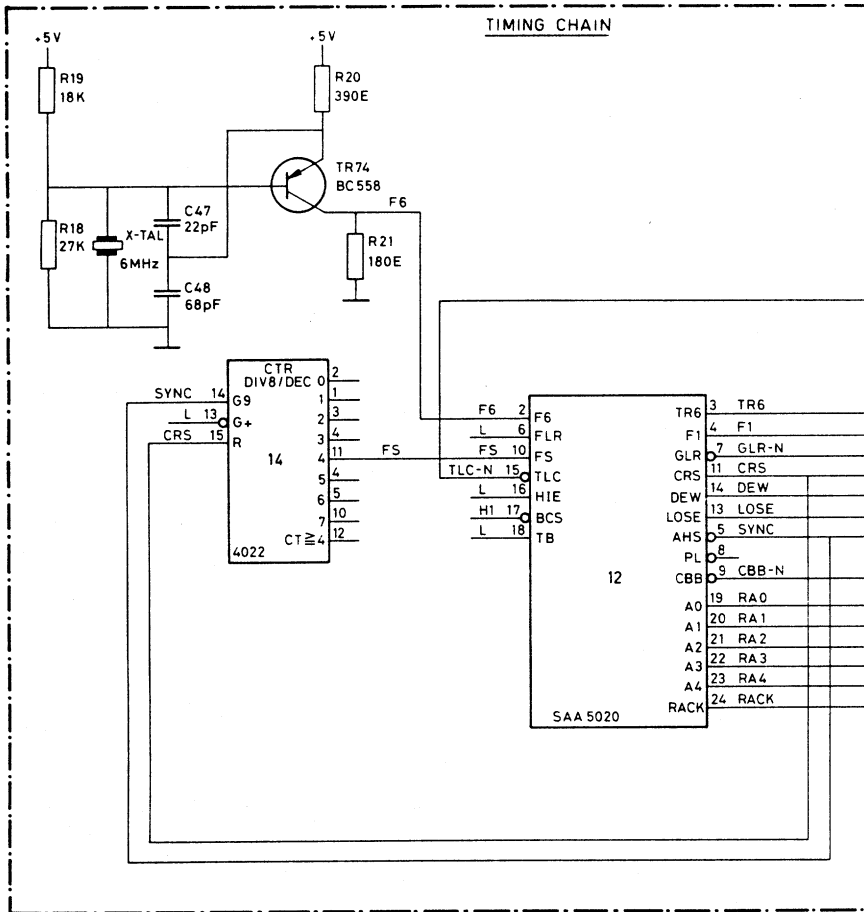
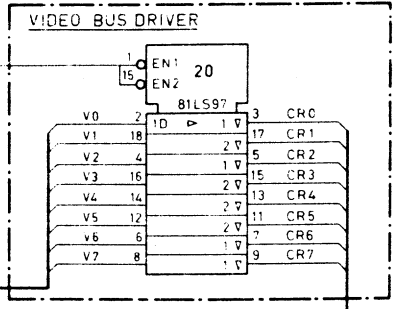


Figure 4.6.3 CPU-BOARD (VIDEO MEMORY) SHEET 3

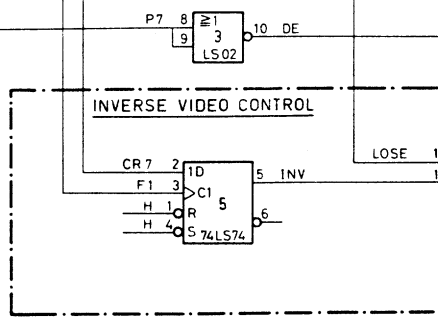
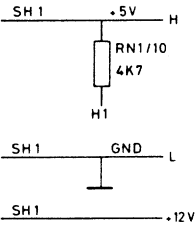
SH2 BEEP

SH3 VIDS

SH3 VO-7



SH3 P7



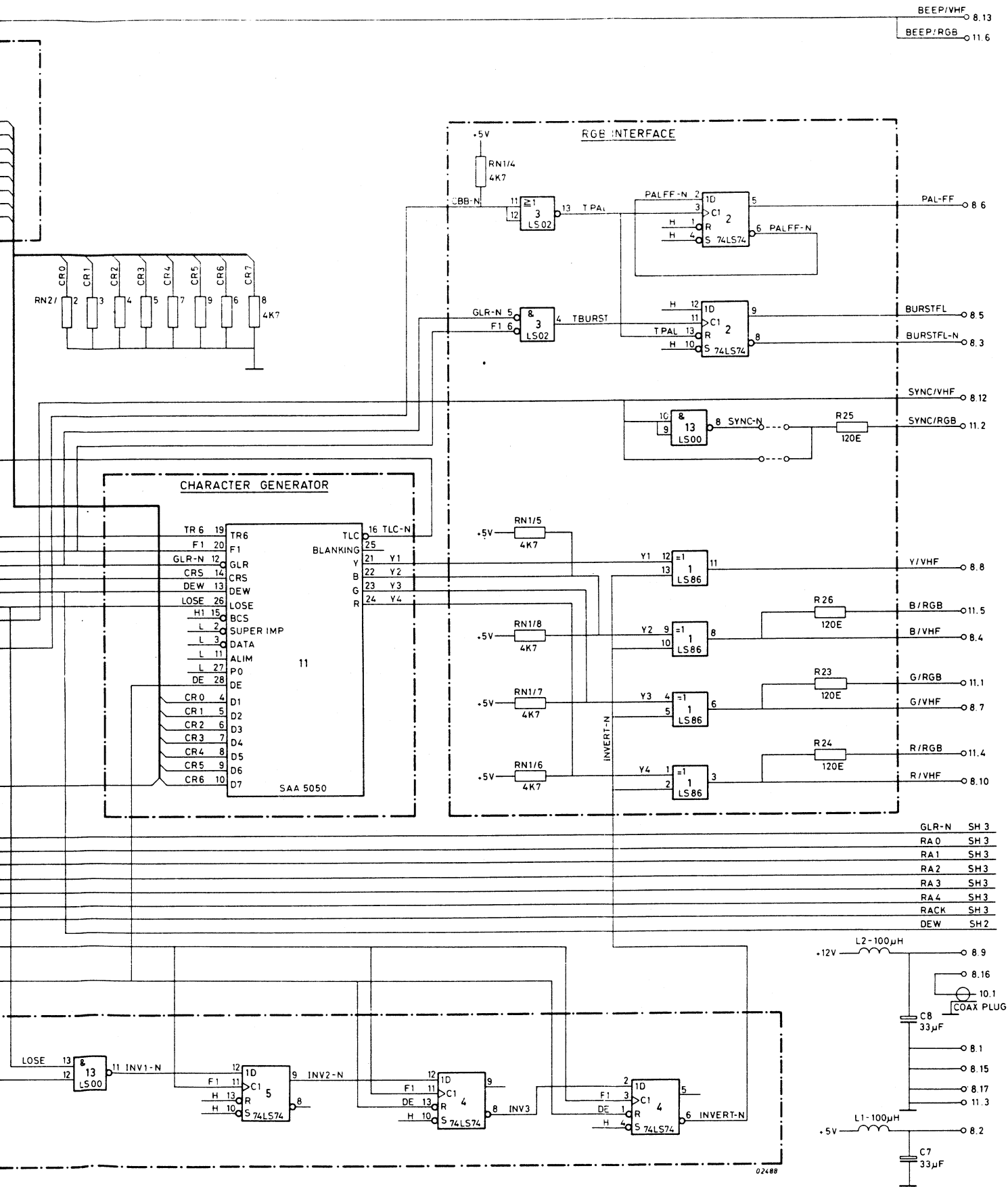
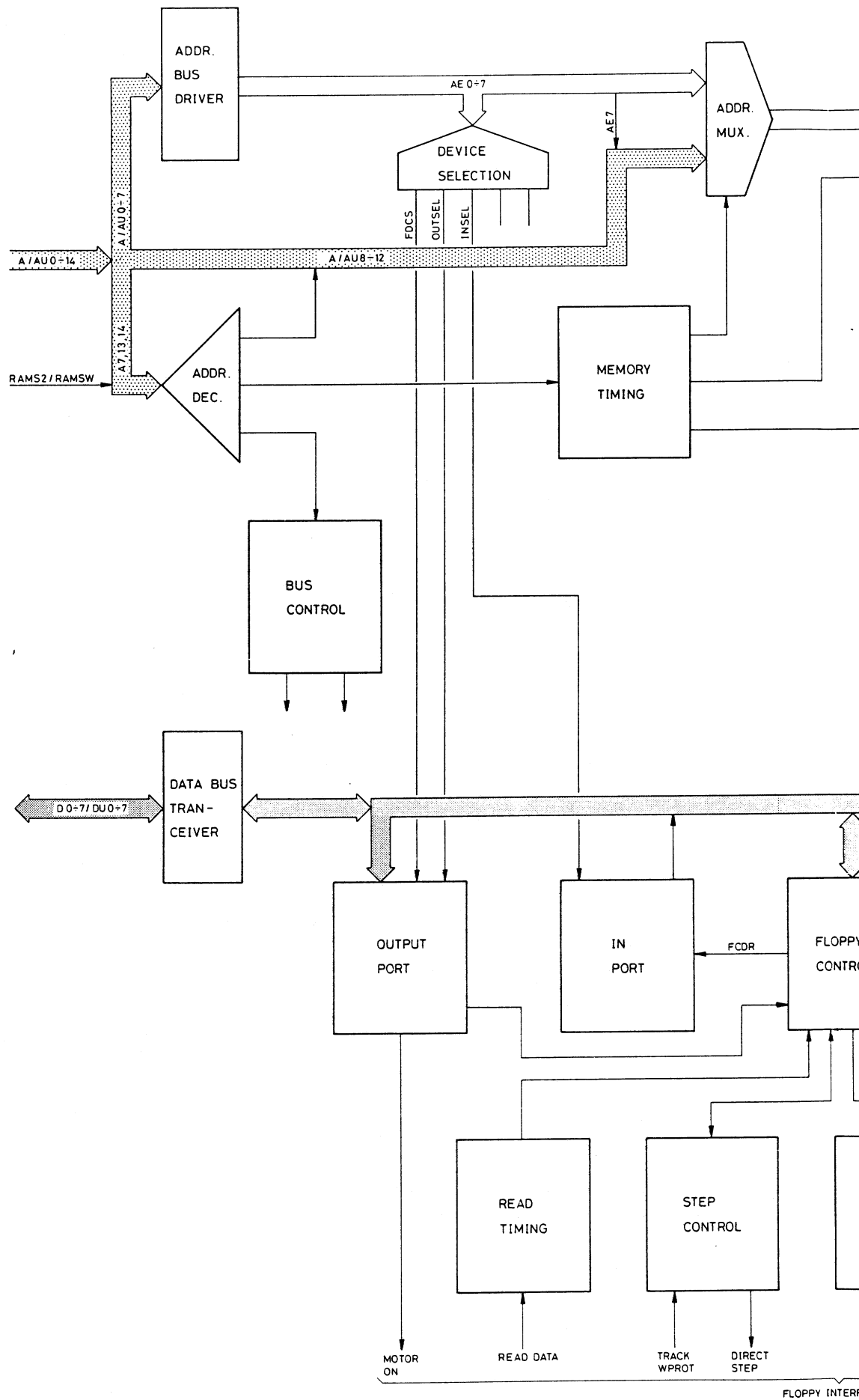


Figure 4.6.4 CPU-BOARD (VIDEO GENERATION) SHEET 4



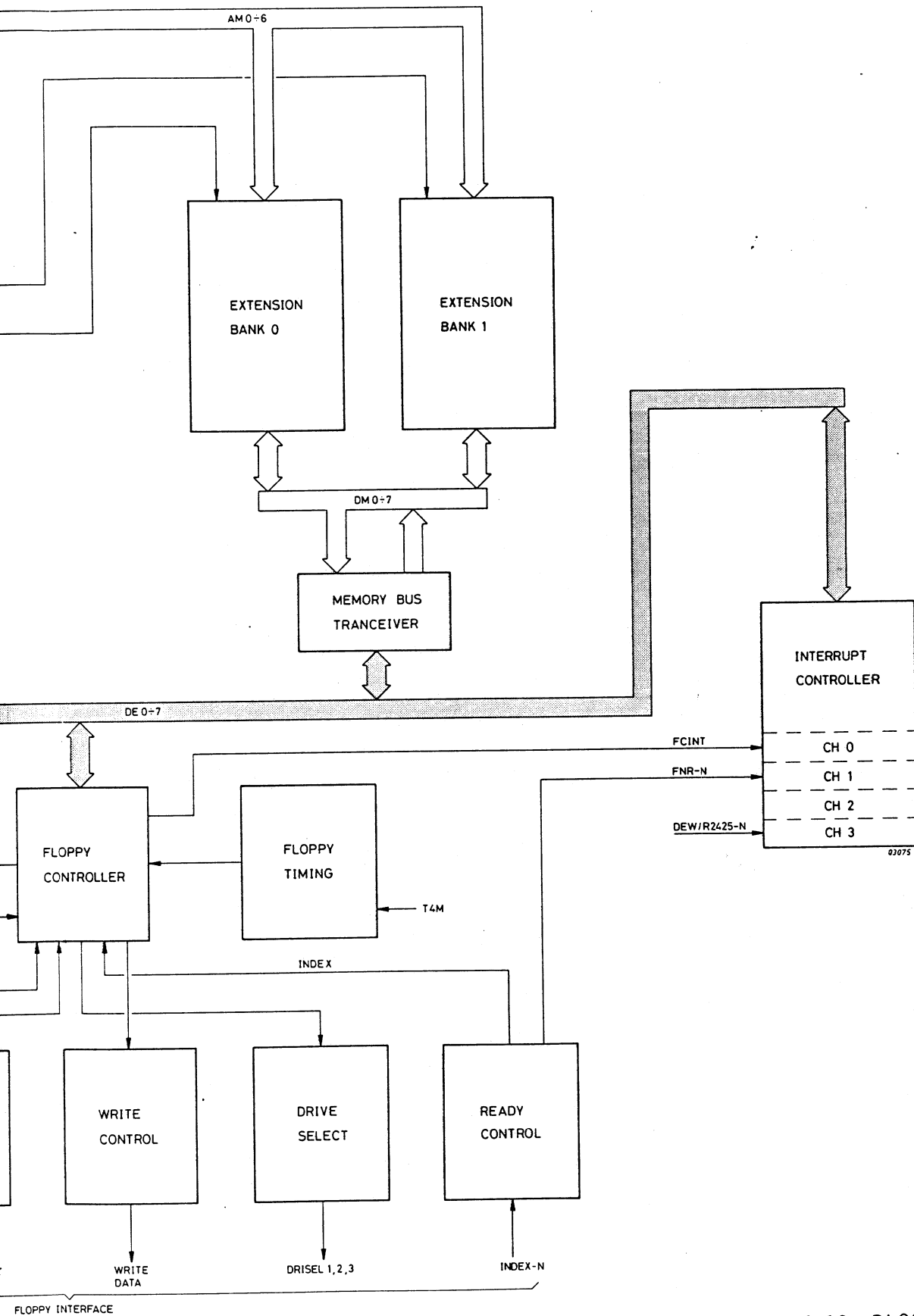
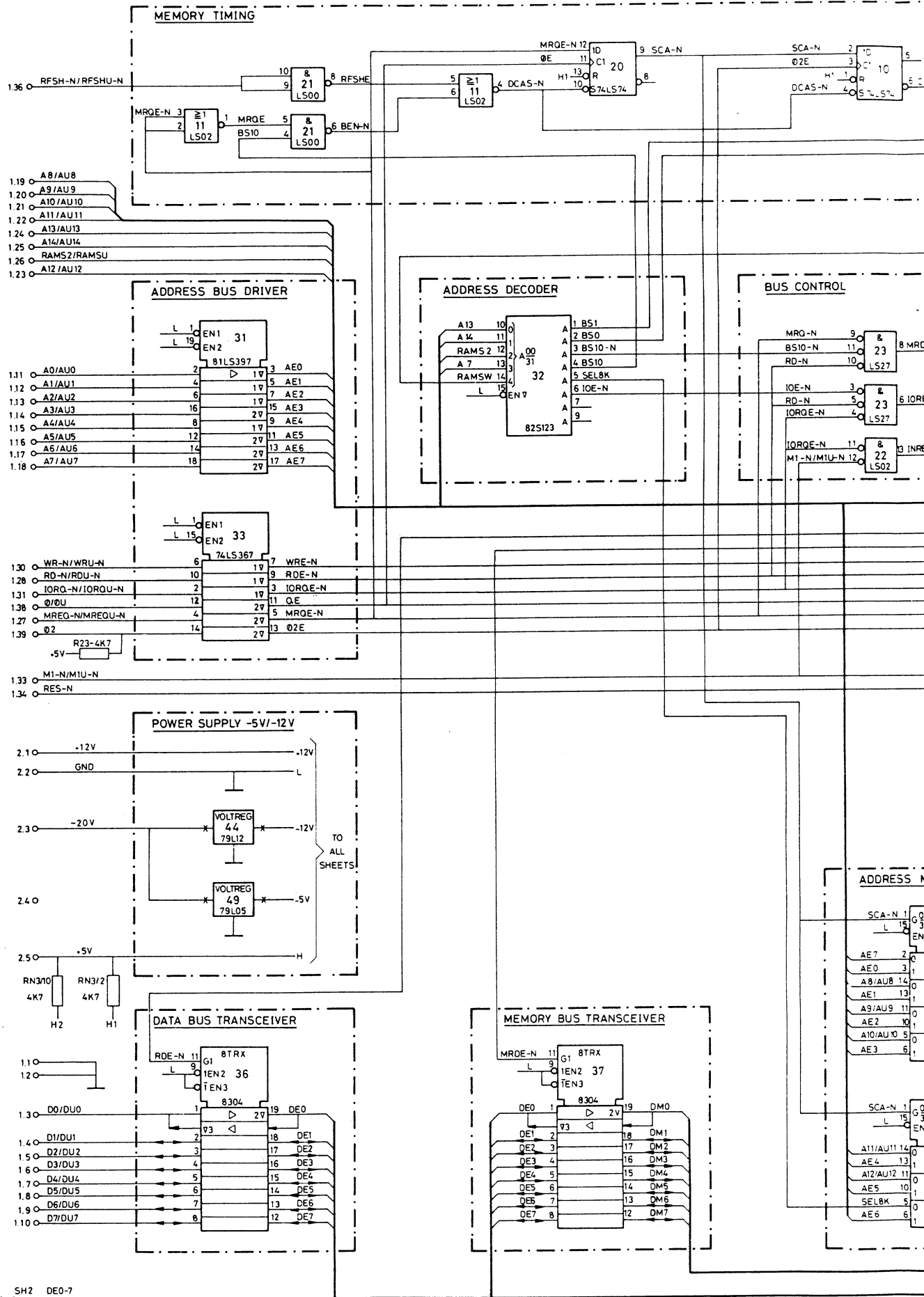


Figure 4.10 BLOCK DIAGRAM EXTENSION BOARD





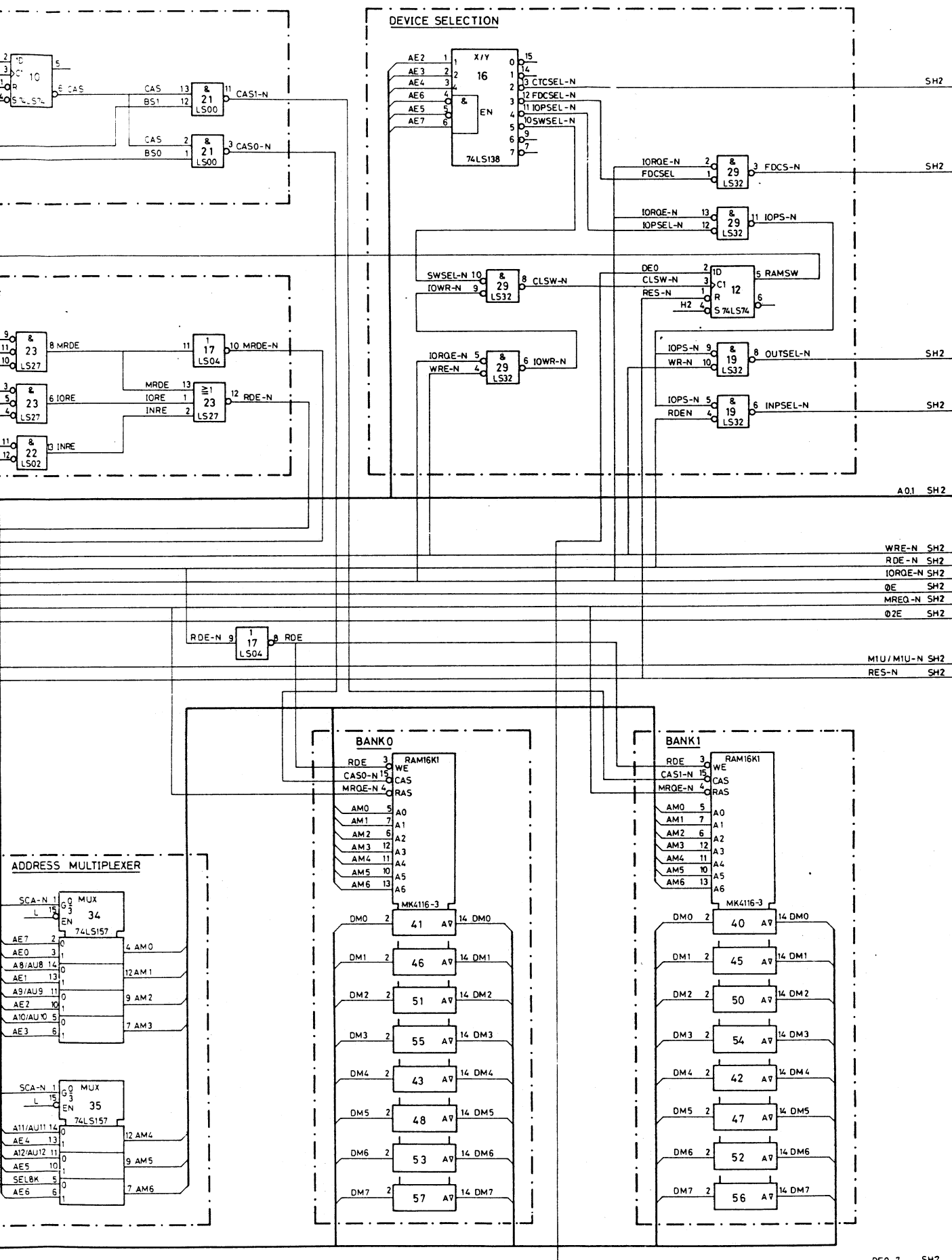
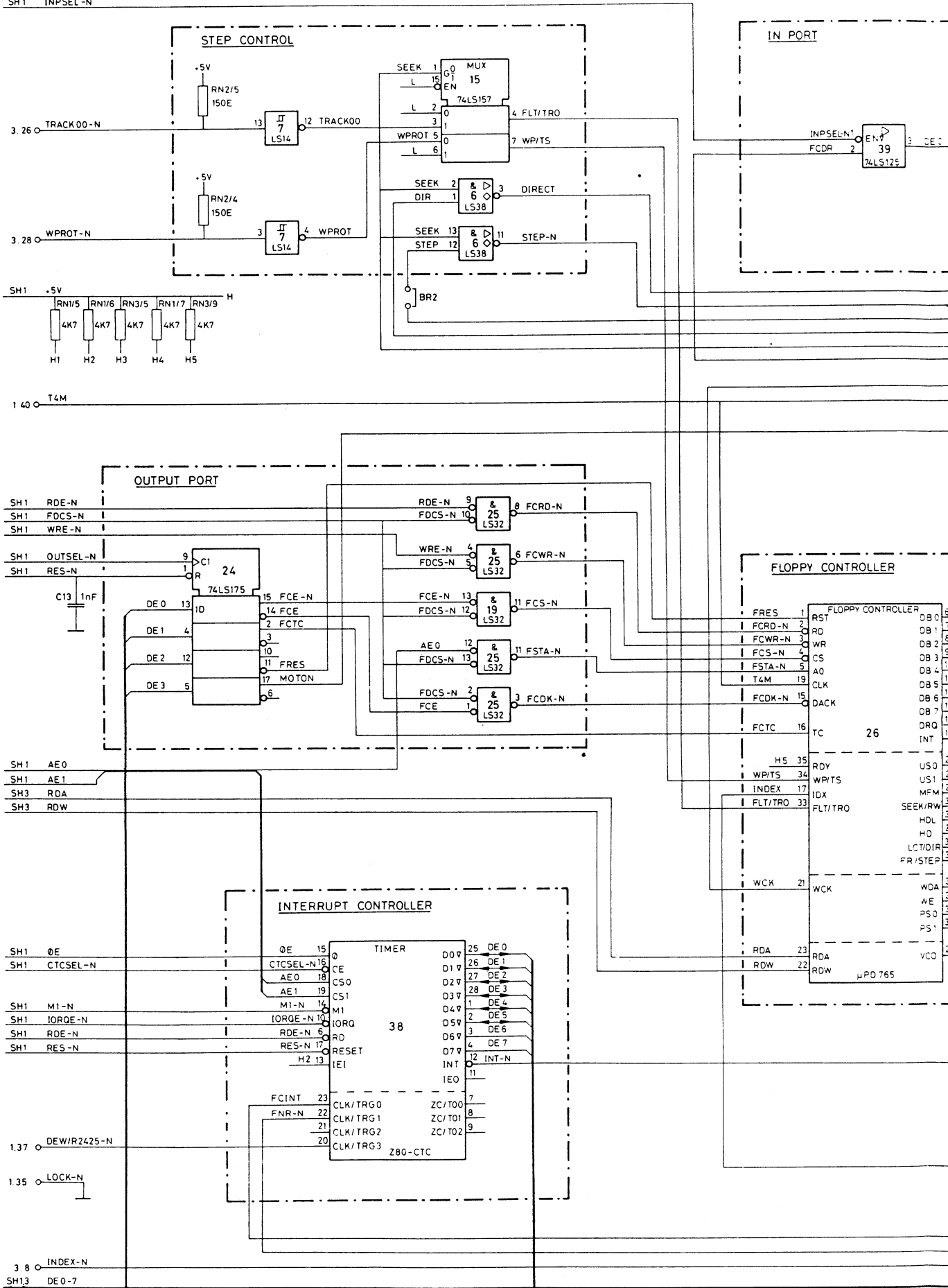


Figure 4.12.1 EXTENSION BOARD (MEMORY EXTENSION) SHEET 1



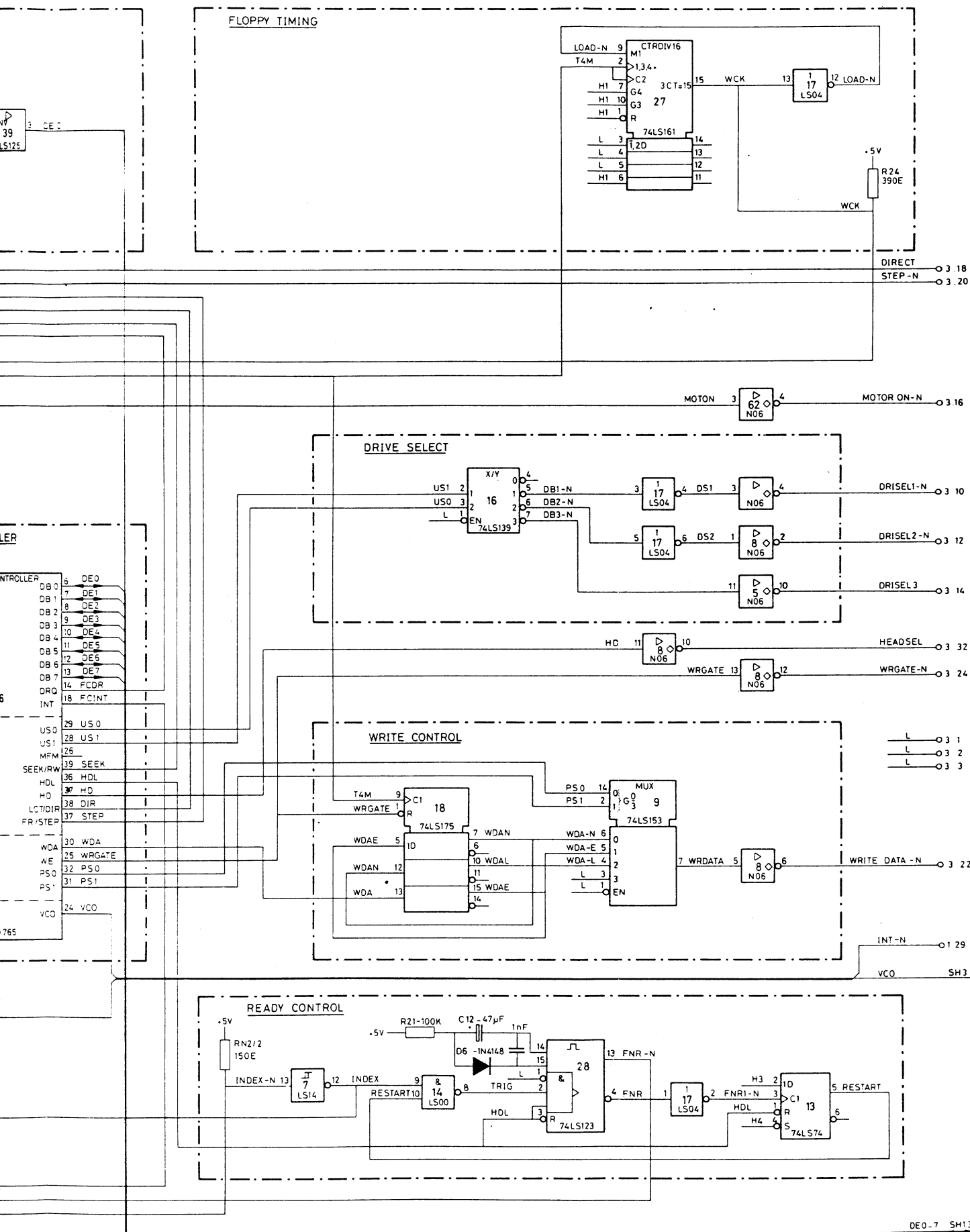
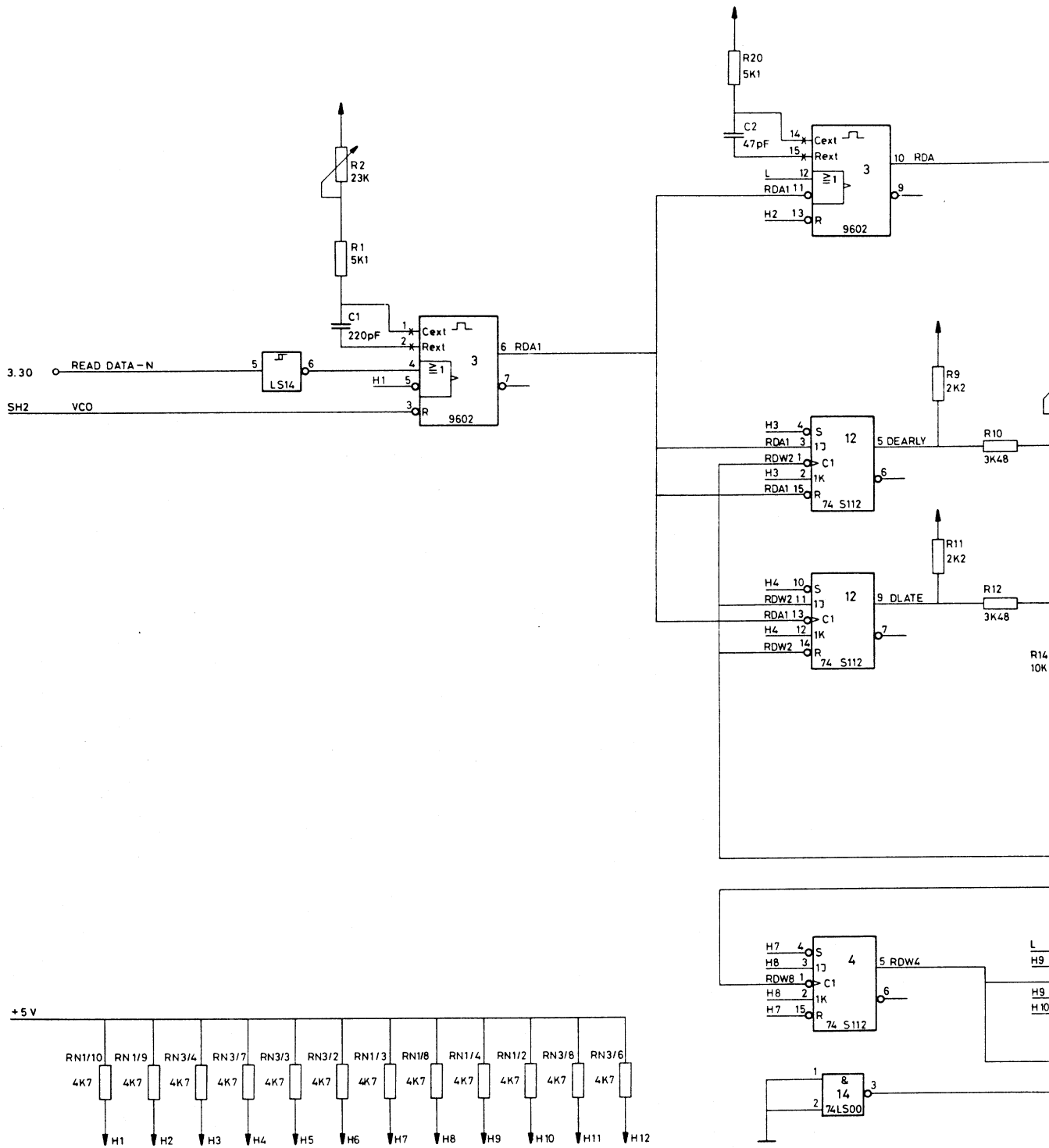


Figure 4.12.2 EXTENSION BOARD (FLOPPY CONTROL) SHEET 2



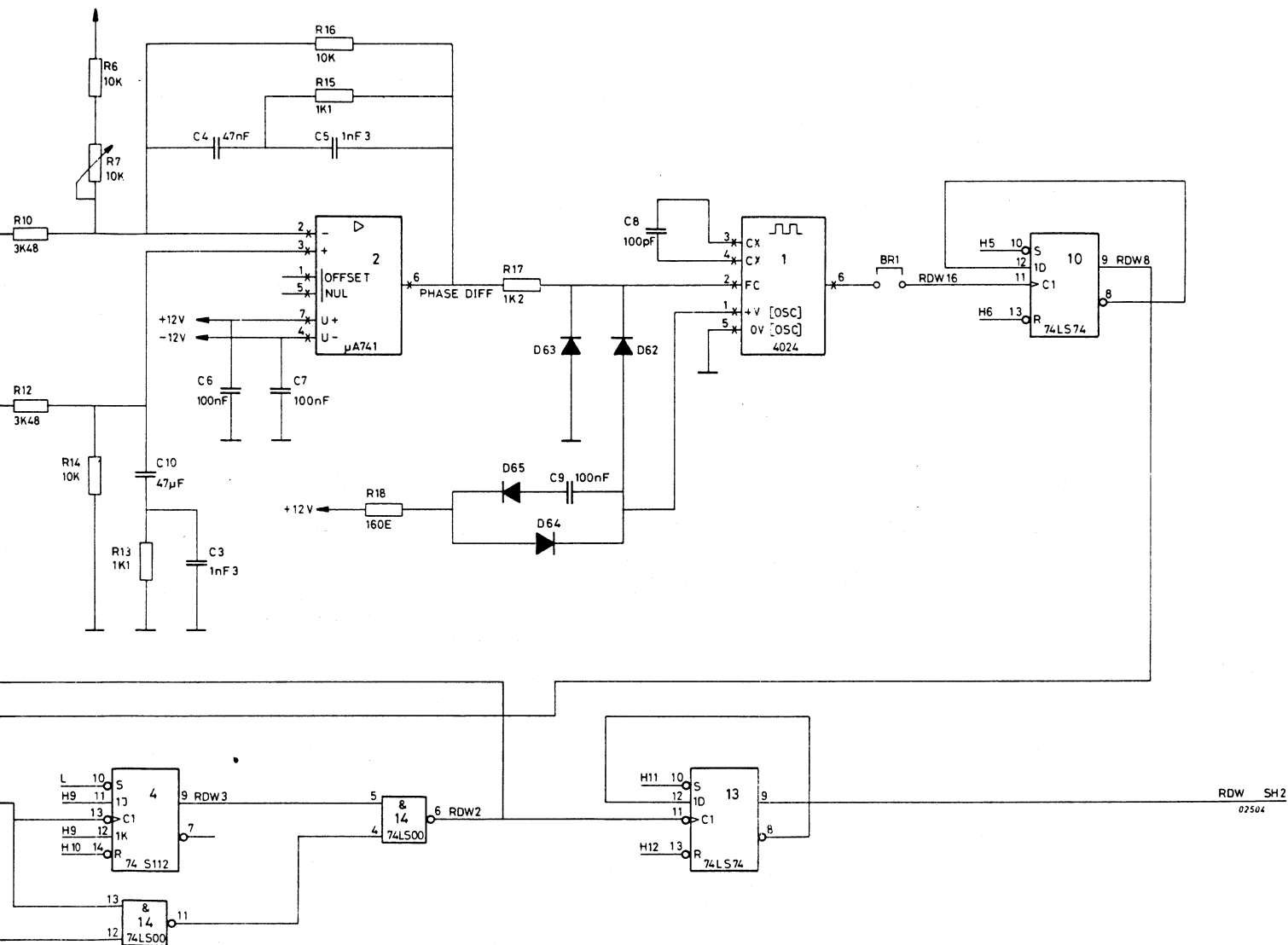


Figure 4.12.3 EXTENSION BOARD (READ TIMING) SHEET 3

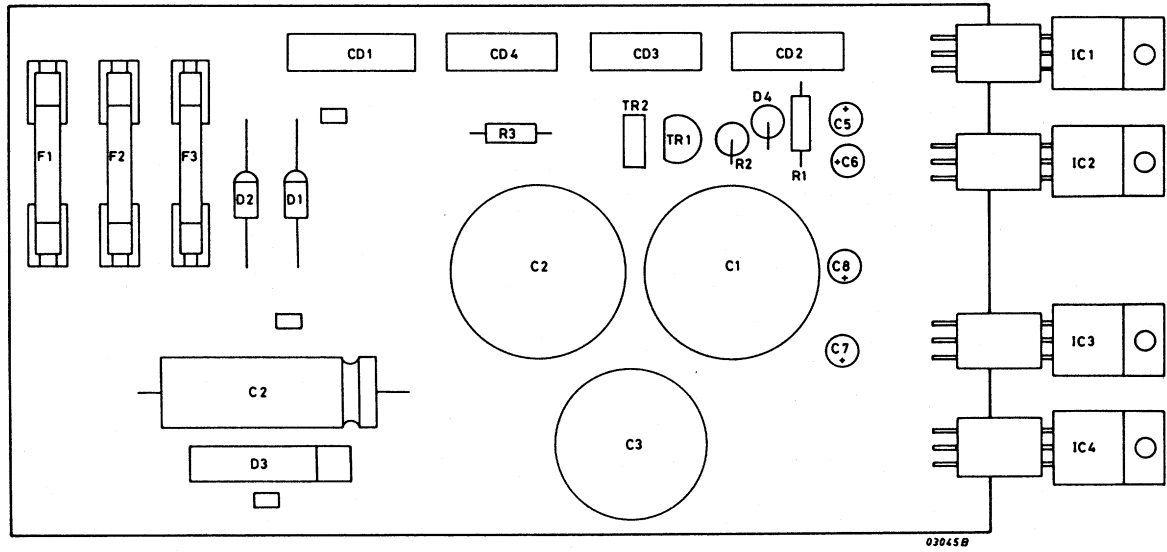


Figure 4.13 COMPONENT LAYOUT POWER SUPPLY BASIC CABINET

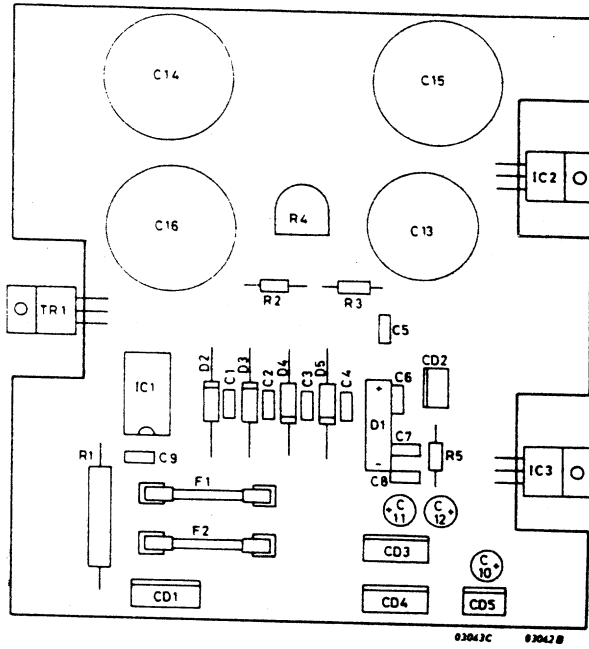


Figure 4.15 COMPONENT LAYOUT POWER SUPPLY MONITOR CABINET



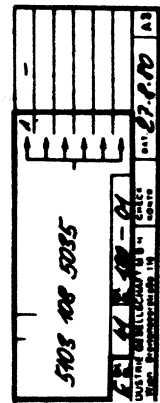
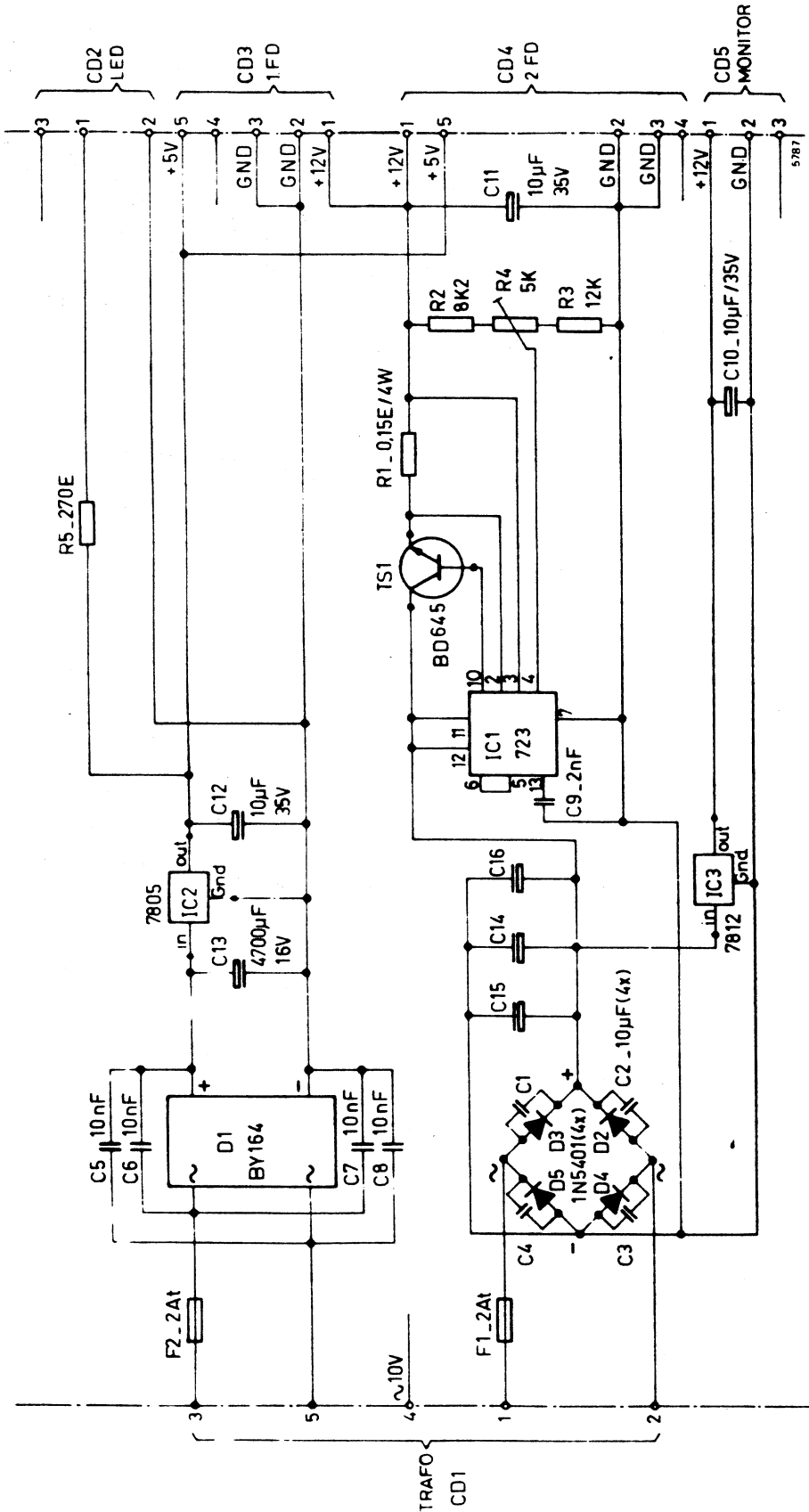


Figure 4.16 POWER SUPPLY MONITOR CABINET

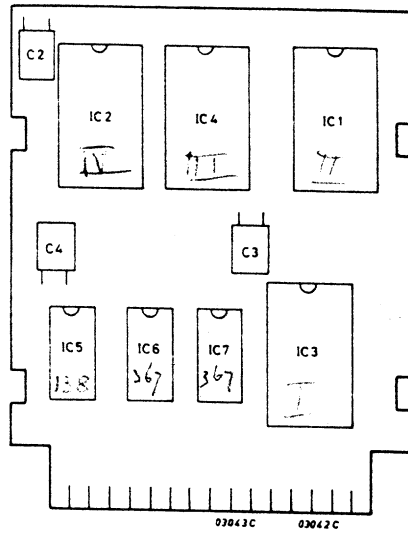


Figure 4.17 COMPONENT LAYOUT ROM-CARTRIDGE

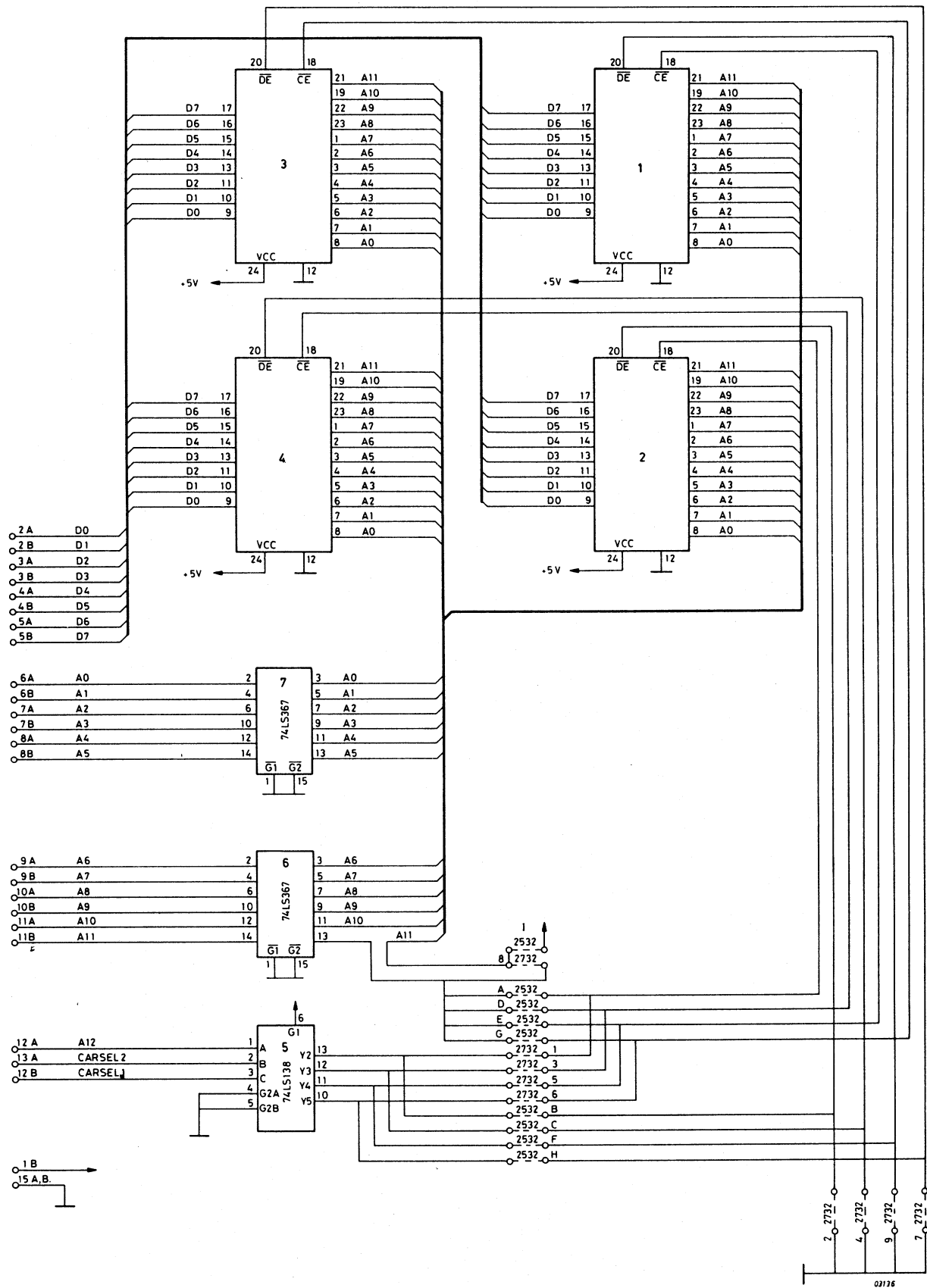


Figure 4.18 LOGIC DIAGRAM ROM-CARTRIDGE

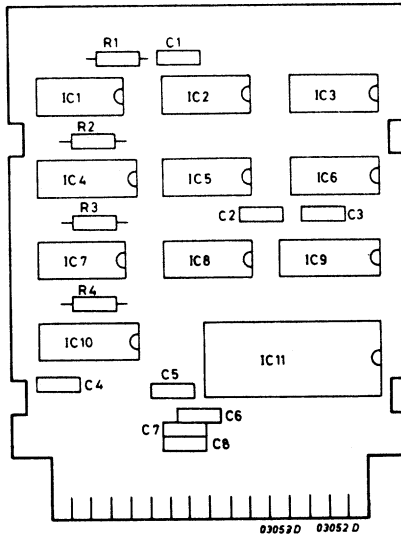


Figure 4.19 COMPONENT LAYOUT VIEWDATA INTERFACE

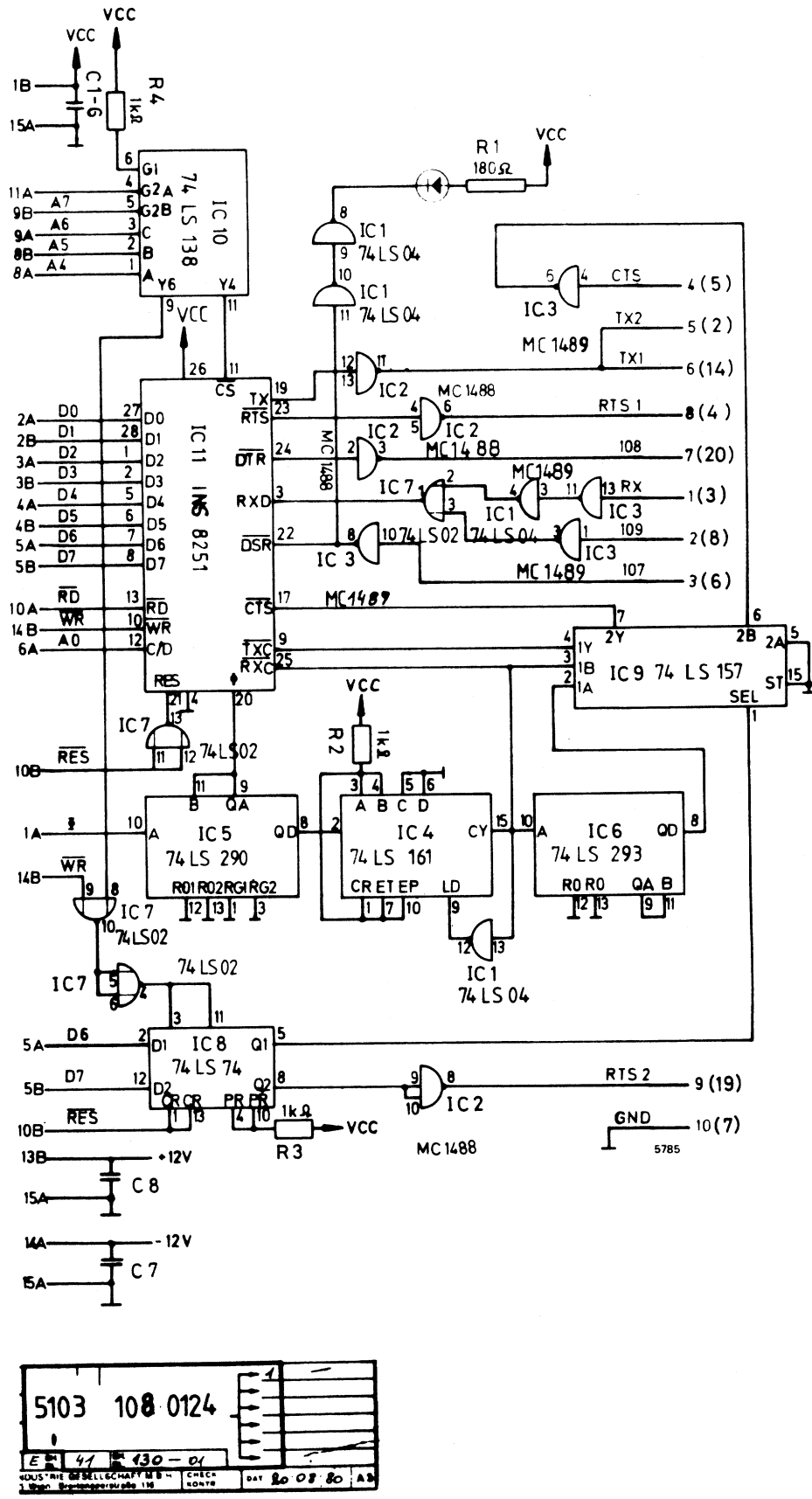


Figure 4.20 LOGIC DIAGRAM VIEWDATA INTERFACE

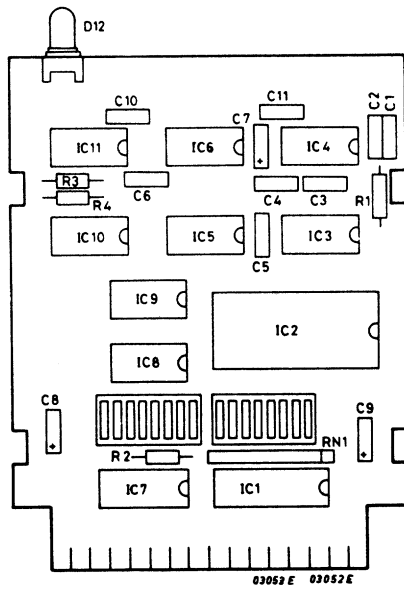


Figure 4.21 COMPONENT LAYOUT SERIAL INTERFACE

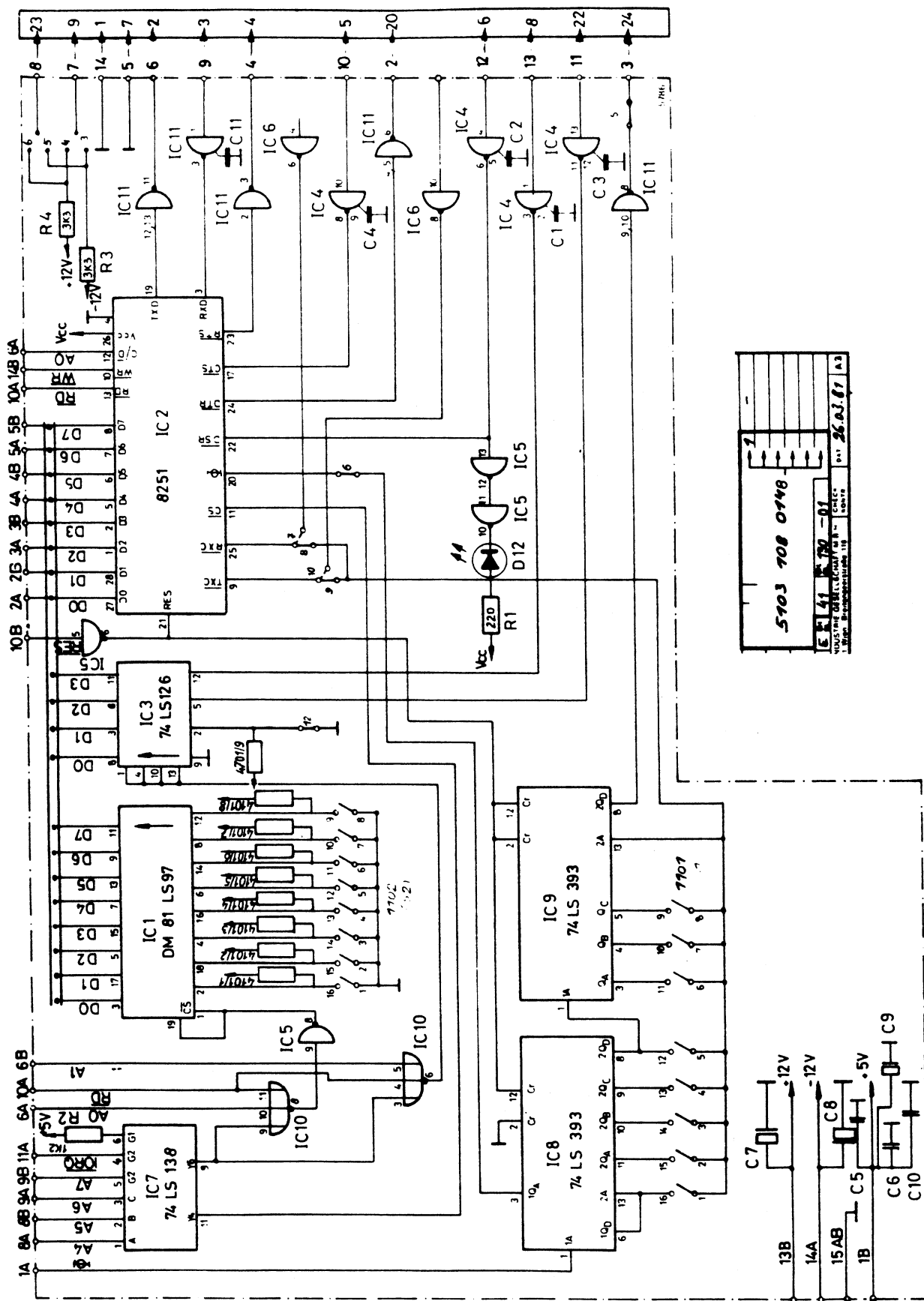


Figure 4.22 LOGIC DIAGRAM SERIAL INTERFACE

SECTION	7.1	MAINTENANCE PROGRAM	PAGE	7-2
	7.1.1	Memory Test		7-2
	7.1.2	Printer Test		7-3
	7.1.3	Keyboard Test		7-4
	7.1.4	Screen Tests		7-4
	7.1.5	Tape Drive Tests		7-5
	7.1.6	Beeper Test		7-6
	7.1.7	Disk Drive Tests		7-7
	7.1.8	Protocol		7-8
	7.1.9	Debugger		7-8



## 7 TROUBLESHOOTING AND REPAIR

### 7.1 MAINTENANCE PROGRAM

The program provides means to test the functional correctness of the P2000 microcomputer. After inserting the command module and depressing the RESET button the NATIONAL VERSION SELECTION MENU appears on the screen. The operator must type the number that corresponds to the national version of his machine, i.e. 1 for German, 2 for French, 3 for English or Dutch and 4 for Swedish. The selected national version is considered at the handling of keyboard, screen and printer, but THE MESSAGE AND DISPLAYED IS ENGLISH IN ALL NATIONAL VERSIONS.

Next follows the MAIN SELECTION MENU, where the operator can select the test he wants to do. Each test is realized as a separate module. The test modules are: MEMORY, PRINTER, KEYBOARD, SCREEN, TAPE, BEEPER and DISK. Auxiliary modules are the PROTOCOL and the DEBUGGER.

Some testing modules are divided into submodule. They can be reached through separate menus. By typing ZERO the user can return to the main selection menu. The testing results are displayed as well as printed. If the printer is not connected, message is sent (the only exception is the printer test).

#### 7.1.1 MEMORY TEST

After selecting '1' in the main selection menu (or if the basic RAM is defect after RESET) the memory is tested as follows. The first location (5000) is written by a random byte and in the following pattern the data on the next address is computed from the previous one by adding constant (53H) and the high and low address of that byte.

Then this pattern is 'disturbed' by

1. writing 00H to all port addresses
2. fast moving of the Video RAM range one line forward.

After restoring of Video RAM range follows the actual testing procedure separately for each range. The ranges are:

1. 5000 57FF Video RAM
2. 5800 5FFF Video RAM second range (only in the professional version)
3. 6000 9FFF Basic RAM
4. A000 DFFF Extension RAM first range
5. E000 FFFF Extension RAM second range (sw bit = 0)
6. E000 FFFF Extension RAM second range (sw bit = 1)

At first the 0 byte of the ranges checked for correctness, then each bit is inverted twice. After each writing operation follows a reading and testing one. To each range corresponds one CPU register. In case of any erroneous bit the corresponding register bit is set. If all the 8 bits in this range are set, the test of that range is terminated, thus saving testing time.

When this test is ready for all the bytes or the ranges each bit is inverted one by one (and tested of course), i.e. all bytes of the range are inverted.

This procedure is repeated for all ranges and afterwards repeated once again for the whole memory range.

This result has the following format:

```
5000 - 57FF
5800 - 5FFF
6000 - 9FFF
A000 - DFFF      BAD BITS: 1 3 6
E000 - FFFF (1)
E000 - FFFF (2)  NOT AVAILABLE
```

In the ranges without remark no error has been found. The 'BAD BITS' remark means that at least one error has been found on the bit positions mentioned. Ranges with 'NOT AVAILABLE' are either missing completely or error has been found on all the eight bit positions. To obtain a more detailed information about the behaviour of the memory the operator can enter the DEBUGGER.

When the result is displayed and printed, the beeper sounds and a waiting loop is started. Its length is 30 sec if 'BAD BITS' have been found, otherwise 15 sec. If any error has been found, the beeper sounding all the time. (It is not an error when the second page of the video RAM is missing rather the normal case at the 'economy' version). During the waiting loop the keyboard is checked. If no key is depressed, the memory test repeated with another pattern. Otherwise the NATIONAL VERSION SELECTION MENU appears again (because the memory test has deleted the corresponding information).

#### 7.1.2 PRINTER TEST

Two submodules of the printer can be selected by a menu:

1. Printer character test
2. Socket static test

Printer character test gives a general information about the computer - printer communication. It is very important that the COMPUTER SHOULD BE PREPARED FOR THE KIND OF PRINTER THAT IS USED (matrix or daisy wheel). In doubt choose PROTOCOL in the main selection menu and type RETURN.

If your printout is wrong, check the print-wheel (on daisy-wheel printer) or the national version setting (on the matrix printer) or national version setting (on the matrix printer). It is also possible that some other MICRO SWITCHES on the printer are incorrect. A new switch position is acknowledge any AFTER SWITCHING THE PRINTER OFF AND ON.

If no printout is obtained and the printer cable is also perfect, use SOCKET STATIC TEST. It gives information about the static behaviour of the input and output ports. Follow the instructions appearing on the screen, i.e. at first REMOVE any connector from the socket, then CONNECT the required pins with a wire and type 'Y' if ready. Then resulting table shows the errors. The correct result can be seen in the next table. It should be noted that the input pin-2 is not involved in the printing procedure, and an error here does not prevent printing.

	OUTPUT	INPUT	0 = -12V
	PIN 03	02 20	1 = +12V
EMPTY CONNECTOR	1	1 1	
CONNECT 03 02	0	0 1	
	1	1 1	
CONNECT 03 20	0	1 0	
	1	1 1	

### 7.1.3 KEYBOARD TEST

The keyboard is displayed on the screen and at first all positions are inverted (professional version) or coloured with magenta (economy version). The keys must be depressed ONE BY ONE beginning in the left upper corner and going to right. If the first line is ready, the second must be started with the leftmost key etc. If a key is accepted, the corresponding position becomes non-inverted (professional v.) or green (economy v.). If the key sequence is incorrect i.e. not the expected key is depressed, the beeper sounds. If some keys are NOT ACCEPTED and no key is depressed WITHIN 5 SECONDS, a question appears: CONTINUE (Y/N). If the answer is Y, the test can be continued, otherwise the figure of the keyboard test is printed. In this figure ALL DEPRESSED KEYS are marked with '=' the bad ones with the a symbol characteristic to that key (or '\*').

### 7.1.4 SCREEN TESTS

#### 7.1.4.1 SCREEN CHARACTER TEST

The aim of this test is to check whether the character generator displays all screen codes correctly.

At first appears an explaining text on the screen. After typing RETURN follows the first picture. It contains 23 lines each with the same characters. The correct sequence of them is shown in Appendix-D. The cursor is set to the beginning of the first line. The operator should observe the characters and decide whether they are correct. If the page is OK, the answer is TAB or RETURN. Otherwise the cursor should be positioned to the line with the rejected character by using the CURSOR UP or CURSOR DOWN keys and the DEFINE key should be depressed (shift and zero on the numeric pad). If all errors are marked, TAB or RETURN brings the next picture. This procedure is repeated until the message 'NO MORE CHARACTERS' appears. Above this line no empty line may appear, it is an error too. If any error has been marked, the hexadecimal screen codes of these characters are printed.

#### 7.1.4.2 GRAPHIC TEST

Two pictures are generated where all graphics characters occur twice. Both pictures are symmetric and the second picture is the inverse of the first one. They must be perfect and must not vibrate. The operator should qualify them.

#### 7.1.4.3 NATIONAL VERSION TEST

The aim of this test is to make sure that the national version of both the KEYBOARD and the SCREEN character generator agrees with the version entered in the NATIONAL VERSION SELECTION MENU. At first a character is displayed on the screen and the operator must type the corresponding key. If a wrong key is depressed, the beeper sounds and the operator can try it again. If the second and the third attempts are also wrong, the test is failed. If the proper key is depressed, two further characters must be found on the keyboard.



The first byte is the record number (1, 2, 3, ... for the first, second, third etc. records) and the following byte is by 3 higher than the previous one. The 'increment by 3' algorithm is continued till the end of the record.

If error is found, it is displayed and asked if continue. The master tape has 10 data records. If all have been tested or the test is aborted, the test result is sent to the printer.

#### 7.1.5.3 WRITE, SKIP-BACK, READ TEST TAPE

This test checks the quality of the tape and the tape driver as well. The test tape must be write enabled (insert plug into the left-side hole). At the first is rewound, then a record with the 'test header' is written, rewound and read again. Then follows the first data record. If everything is OK, the message '01. RECORD OK OK OK' appears, showing the results of the write, skip-backward and read operations. Then follows the next record and the message is over-written. In case of error the message is displayed and asked if continue. In case of NO MARK error the test can not be continued: a serious is happened. The procedure is repeated until the end of tape (cca 40 records). The user can cancel the testing by opening the door of the tape driver, then the NOT READY message is displayed.

#### 7.1.5.4 CONTINUOUS WRITE, SKIP-BACK, READ TEST

At first the operator must be decide either for full print (with OK messages) or for partial print (only with error messages).

This test performs the same procedure as the previous one (5.3), with the differences:

1. In case of error the test carries on without operator's action.
2. When the tape is full, it rewound and the test is continued at the beginning. To disrupt the test the door of the tape drive must be opened.

#### 7.1.5.5 CREATE QUASI-MASTER TAPE

As a matter of fact, this is an auxiliary procedure, not a testing one. You can create here the pattern of the master tape with the restrictions described in 5.2. The procedure run similarly as in 5.3.

#### 7.1.5.6 CONTINUOUS STATUS TEST

This is an auxiliary procedure for the adjusting of the TAPE IN DRIVE and the WRITE PROTECT switches. If you insert a tape, you can see continuously the status of these bits and adjust exactly the switching points.

#### 7.1.6 BEEPER TEST

The beeper is activated and the user must decide whether it is OK or not. An incorrect answer (neither Y not N) results in the repeated beeper sound and you can repeat it several times.

### 7.1.7 DISK DRIVE TESTS

The disk testing procedures test the disk and the drive at the same time therefore if an error is found, it can be the error of the disk too.

#### 7.1.7.1 READ MASTER DISK

To make sure that your disk drives read properly use the MASTER TEST DISK delivered by PHILIPS. If you do not have such a disk, you can create the master pattern by the WRITE-READ TEST DISK procedure. It does not guarantee, however, that your computer can read without error the disks written on other P2000 machines.

At first the question 'DRIVE 1 READY (Y/N)' is displayed. If you want to test only drive-2 your answer is 'N', otherwise 'Y'. The disk should be inserted previously in the corresponding drive (1 is left, 2 is right). The master disk must be WRITE PROTECTED (the write protection notch must be covered by a label).

Then the head is moved to TRACK-34 and the identifier is read to check the track number. Afterwards a step is made to TRACK-0 thus testing the stepping function. Now follows the actual reading test. Each track is read and tested for the master pattern (first byte is the track number, the next byte is incremented by 3 etc.). If ERROR IS FOUND, THE OPERATION IS REPEATED UP TO 7 TIMES. Then the operator should decide whether it is continued or not. If the disk is properly written, but NOT CONTAIN THE MASTER PATTERN, the error message is WRONG DATA. A detailed description of error messages is given in Appendix-F.

After reading of track-34 the question 'DRIVE 2 READY ' is displayed and the user can start or cancel the testing of drive-2 by answering Y or N.

#### 7.1.7.2 WRITE-READ TEST DISK

A formatted diskette should be inserted in the drive under test. The drive selection is performed the same way as by 'Read master disk'. The disk is written with the MASTER PATTERN starting with track-0 to track-34. Then the tracks are read and compared with the master pattern from track-34 to track-0.

#### 7.1.7.3 CONTINUOUS WRITE TEST DISK

The user can define which drive should be tested (1,2 or both). The procedure is the similar to 7.2 with the following differences:

1. In case of error no operator action is required.
2. If the test is ready, it is repeated unlimited. The PASS number shows the number of repetitions. The test can be disrupted by opening the door of the drive under test.

### 7.1.8 PROTOCOL

This auxiliary module gives a summary of the machine properties. It has the following format:

```
SERIAL NUMBER: 1 2 3 4 5 6 7 8 9 0
NATIONAL VERS: UK
TYPE:          PROFESSIONAL 48K USER RAM
PREPARED FOR:  DAISY-WHEEL PRINTER
DATE           23-10-1980
INSPECTED BY:  Abcdefghijk Lmnopqrstuvwx
```

The serial number must be type by the user (up to 20 characters) or omitted simply by typing RETURN. The NATIONAL VERSION is taken from the national version selection menu. The TYPE can be professional (if the Auxiliary Video range 5800-5FFF is present) or economy (if not). The user RAM can be 16, 32 or 48k. The machine can prepared either for daisy-wheel or for matrix printer. The date and the name of the inspector is typed by the user (or omitted by RETURN).

### 7.1.9 DEBUGGER

This auxiliary module has the following features.

- display and modify memory
- Read, modify and write tape data

It is very useful to study the memory behaviour in case or error and to check and repair data on tape.

The debugger has the 12 commands. The numbers used in the commands are always HEXADECIMAL. The command lines must be terminated by RETURN. To correct a wrong entry the BACKSPACE and DELETE LINE keys can be used. The debugger uses the user RAM range 6100-61FF. Writing in this range may lead to irregular results. The following commands are implemented.

C: Compares the contents of two memory blocks. Example: C 7000 8000 280 (C addr-1 addr-2 length). The memory blocks 7000-727F and 8000-827F are compared and differing bytes are displayed.

D: Display or change memory. Example-1:  
D 9210 140 (D address length)  
The contents of the range 9210-934F is displayed.

Example-2:

D 8840 (D address)  
8840 28

At first the Debugger displays the contents on the given location. The answer can be:

1. An other hexadecimal byte to change the byte.
2. RETURN to ask for the next byte.
3. Q to leave the change mode.

F: Fill memory with data. Example:  
F7100 2B0 3F (F start-addr length)  
The range 7100-73AF is filled with 3F.

M: Move memory block. Example:

M6400 7C00 2B0 (M destination source length)

The range 7C00-7AF is copied into the range 6400 66AF.

P: Reads ana/or writes ports. Example-1:

P and RETURN reads all ports 0 to FF. In the professional version this command results in screen disturbances. It can be overcome by writing 0 to Port-7F.

Example-2:

P 3F

3F 9C Reads and displays the data from Port-3F. The answer can be:

1. An other hexadecimal byte to write on the port.
2. RETURN to ask for the next port address.
3. Q to leave change mode.

Q: Leaves the debugger and returns to the main selection menu.

S: Search string. Example:

S 21 00 50 ... (up to 5 bytes) searches this string in the whole memory and displays the addresses where it occurs.

TI: Tape initialize (rewind).

TF: Tape forward 1 block (1 block = 1K = 400 Hexadecimal)

TB: Tape backward 1 block

TR: Tape read. Example:

TR 8000 800 (TR address length) reads 2 blocks from the tape and stores the data in the 8000-87FF range.

TW: Tape write. Example:

TW 9000 C00 (TW address length) writes 3 blocks onto the tape from the 9000 9BFF range.



### 1.2.4.1 TROUBLE SHOOTING T-VERSION

PROCEDURE STEPS	REACTION	MAINTENANCE ACTION
1. Remove Cartridge(s) Remove Cassette Switch power-on (Basic Cabinet)	Power-on Indicator Lit	Continue step 3
	No power-on Indicator	Check Mains Supply Connection Continue step 2
2. Insert any cassette Push Reset Button	Cassette moving	Check keyboard connection, fig. 2.12/3 Replace Keyboard, sect. 1.2.5.5 (indicator defect)
	No reaction	Check fuses, fig. 1.8/1 Check Power supply connec. fig. 1.8/3 Check cassette conn., fig.2.12/2 Check power supply, con. step 7 sect. 1.2.4.2
3. Switch power-on Television	TV Screen: Philips/P2000 Microcomputer	Continue step 4
	No (Correct) Screen	Check TV interface, fig. 1.8/2 Select HF Band Adjust Channel Check insertion of Modulator, fig. 1.8/4 Check Fuses, fig. 1.8/i Check CPU-Board conn. fig. 1.12/1 Replace TV Replace CPU-Board, sect. 1.2.5.1
4. Insert maintenance Program (First Socket Push reset button	Screen: "Test Menu"	Continue Maintenance Program, sect. 1.2.4.3
	Screen: Philips/P2000 Microcomputer	Continue step 5
5. Switch power-off Wait 10 seconds Switch power-on	Screen: "Test Menu"	Check reset button wiring, fig. 1.12/4
		Replace reset key, sect. 1.2.5.4
	Screen: Philips/P2000 Microcomputer	Replace CPU-Board, sect. 1.2.5.1  Check/Clean socket, fig. 1.12/5 Replace CPU-Board, sect. 1.2.5.1 Replace Maintenance Cartridge

### 1.2.4.3 MAINTENANCE PROGRAM

PROCEDURE STEPS	REACTION	MAINTENANCE ACTION
0. Start: Select National Version	1:A(Austria) or D(Germany) 2:E(Spain) 3:F(France) 4:I(Italy) 5:NL(Netherlands) or UK(England) 6:S(Sweden)	No reaction: - Push reset 3 times Continue step 3.
Select Test	1:RAM 2:V24 3:Keyboard 4:Screen 5:Tape Drive 6:Beeper 7:Floppy Drive 8:Summary	
1. RAM Test: Global Error Test	After some minutes: 5000 - 57FF 5800 - 5FFF 6000 - 9FFF A000 - DFFF E000 - FFFF (1) E000 - FFFF (2) Extra CPM Range  Not available:  Bad Bits:	Video RAM (T) sect. 1.2.5.3 (T) Video RAM (M) sect. 1.2.5.2 (M) System RAM sect. 1.2.5.3 Extension RAM sect. 1.2.5.1 Extension RAM sect. 1.2.5.1 Extension RAM sect. 1.2.5.1 CPM RAM sect. 1.2.5.9  - Check if RAM is installed - Check Power Supply - Check Connections - Replace Board - Replace RAM Circuits - Replace Board
2. V24 Test: Select Test	1:Printer Char. Test 2:Serial Interface 3:Viewdata Interface 4:Socket Static Test	
2.1 Printer Char. Test	Print Character Set. Print Character Set underlined. Print Graphic Pattern Print 5 lines only indicating begin and end. Print 8 lines of 80 characters.	

PROCEDURE STEPS	REACTION	MAINTENANCE ACTION
2.2 Serial Interface Select Baudrate	1:75 2:150 3:300 4:600 5:1200 6:2400 7:4800 8:9600  No start bit:  Wrong data:	- Insert module connector in printer socket - Reset, type in correct baud rate - Replace serial interface
2.3 View Data Interface	Wrong Data	- Connect pins 6-8 - Replace view data interface
2.4 Socket Static Test	Plug layout of interface pins	- Make required connections - Printer interface defective: - Replace CPU-board
3. Keyboard Test:	Geometric arrangement of all keys on screen. Inverted for M-coloured for T-version	- Depress key with blinking character. After depression the symbol returns to normal (white T-version). - If sequence error is made: Beeper sounds - Replace keys which do not change - If no action Replace keyboard interface - Replace CPU Board
4. Screen Test Select test:	1:Character test 2:Graphics test 3:Screen Nat. version test 4:Screen adjust. test 5:Special screen test	
4.1 Character Test	Each character is displayed one full row.	- Scroll the picture by depressing tab-key - Define Erroneous row (cursor positioning, define key) - Replace character generator sect. 1.2.5.3 (T) sect. 1.2.5.2 (M)
4.2 Graphics Test	A picture using all graphics appears.	Check picture, if not correct: replace character generator sect. 1.2.5.3 (T) sect. 1.2.5.2 (M)

PROCEDURE STEPS	REACTION	MAINTENANCE ACTION
4.3 National Version	Some unique characters for this version are displayed on screen.	Press particular key. If not correct: - check selected nat. version - check character generator sect. 1.2.5.3 (T) sect. 1.2.5.2 (M)
4.4 Screen Adjustment	Screen Pattern for Adjustment	- Adjust screen, sect. 1.2.7.2 (M), sect. 1.2.7.1 (T)
4.5 Special Screen Test	Display of screen attributes	- Verify screen. If sect. 2.7.1 not correct: - Replace attribute RAM (M), sect. 1.2.5.2 - Replace character generator (T), sect. 1.2.5.3 - Replace video board (M) sect. 1.2.5.2 - Replace CPU-board sect. 1.2.5.3
5. Tape Drive Test: Select Test	1:Read Master Tape 2:Write skip-back read test 3:Continue status test	
5.1 Read Master tape	A predefined master tape is read (created in 5.2)	If not correct: - Clean read/write head - Replace cassette medium - Replace MDCR sect. 1.2.5.4 - Replace CPU-board sect. 1.2.5.3
5.2 Write Skipback Read Test	Write Skip Back Read Tape 44 records	
5.3 Continuous Status Test	Status of, Cassette is checked	
	No tape:	- Check cassette inserted switch
	Write enabled/protected	- Check write protected switch - Check cassette interface - Replace MDCR sect. 1.2.5.4
6. Beeper Test	Test Beeper	If not correct: - Increase volume TV (T) - Replace CPU-Board sect. 1.2.5.3 (T/M)
7. Floppy Drive Test: Select Test	1:Read Master Disk 2:Write Read Test Disk 3:Cont. Read on Track	

PROCEDURE STEPS	REACTION	MAINTENANCE ACTION
7.1 Read Master Disk	From a Master Disk Track 0-34 is read (created in 7.2)	If not correct: <ul style="list-style-type: none"> <li>- Check interface</li> <li>- Try Drive 2 (if available)</li> <li>- Replace Master Disk</li> <li>- Replace drive sect. 1.2.5.7</li> <li>- Replace extension board sect. 1.2.5.1</li> </ul>
7.2 Write/Read Test Disk	Write,Read Step all tracks	If not correct: <ul style="list-style-type: none"> <li>- Clean head</li> <li>- Replace medium</li> <li>- Replace drive sect. 1.2.5.7</li> <li>- Replace extension board sect. 1.2.5.1</li> </ul>
7.3 Contin. read one track	Step to asked track	
8. Summary	List of Test Protocol on screen and printer (if available)	Enter asked data