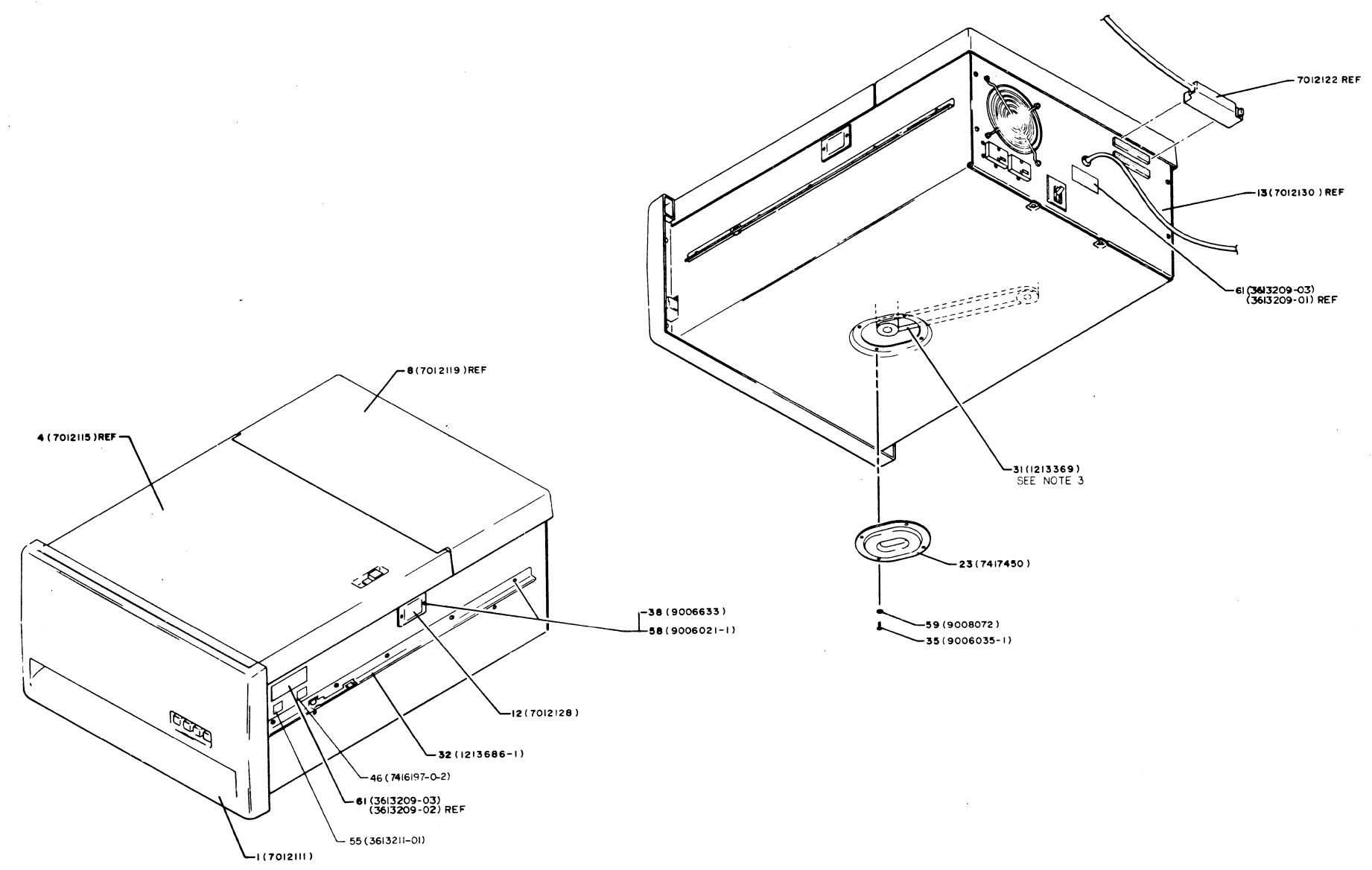




FOR FRAMING AND SPECIFICATIONS SEE DRAWING  
 NUMBER OF SHEETS (DIMENSIONS) DRAWING NO.  
 THIS DRAWING IS THE PROPERTY OF THE COMPANY  
 AND IS NOT TO BE REPRODUCED OR COPIED IN ANY  
 MANNER WITHOUT THE WRITTEN PERMISSION OF  
 THE COMPANY

- NOTES:
1. LOWER HEAD (ITEM 65) SHALL BE POSITIONED REARWARDS AGAINST PIN IN CARRIAGE
  2. ALL SCREWS TO BE TIGHTENED AS FOLLOWS:  
 4-40 SCREW, TORQUE 3.5 ± 0.5 IN LBS  
 6-32 " " " 5.0 ± 1.0 " "  
 8-32 " " " 10.0 ± 1.0 " "  
 10-32 " " " 18.0 ± 2.0 " "
  3. DRIVE BELT TENSION 10.0 ± 1.0 LBS
  4. 4-40 HEAD MTG BOLTS TO BE TIGHTENED TO 5.0 ± 0.5 IN LBS.



REV	DATE	BY	DESCRIPTION
A		AT	RELEASED
B		AT	REV A
C		AT	REV B
D		AT	REV C
E		AT	REV D
F		AT	REV E
G		AT	REV F
H		AT	REV G
I		AT	REV H
J		AT	REV I
K		AT	REV J
L		AT	REV K
M		AT	REV L
N		AT	REV M
O		AT	REV N
P		AT	REV O
Q		AT	REV P
R		AT	REV Q
S		AT	REV R
T		AT	REV S
U		AT	REV T
V		AT	REV U
W		AT	REV V
X		AT	REV W
Y		AT	REV X
Z		AT	REV Y

REV	DATE	BY	DESCRIPTION
A		AT	RELEASED
B		AT	REV A
C		AT	REV B
D		AT	REV C
E		AT	REV D
F		AT	REV E
G		AT	REV F
H		AT	REV G
I		AT	REV H
J		AT	REV I
K		AT	REV J
L		AT	REV K
M		AT	REV L
N		AT	REV M
O		AT	REV N
P		AT	REV O
Q		AT	REV P
R		AT	REV Q
S		AT	REV R
T		AT	REV S
U		AT	REV T
V		AT	REV U
W		AT	REV V
X		AT	REV W
Y		AT	REV X
Z		AT	REV Y

DESIGN	DATE	DWG PART NO	ITEM NO
UNLESS OTHERWISE SPECIFIED DIMENSIONS ARE IN INCHES			
QUANTITY & VARIATION	DRN	CHKD	ENG
THIRD ANGLE PROJECTION	PROJ ENG	PROJ ENG	PROJ ENG
REMOVE BURRS AND BREAK SHARP CORNERS	DO NOT SCALE DWG	NEXT HIGHER ASSY	
MATERIAL	SCALE	SHEET	4
FINISH			

RLOI DISK DRIVE ASSEMBLY

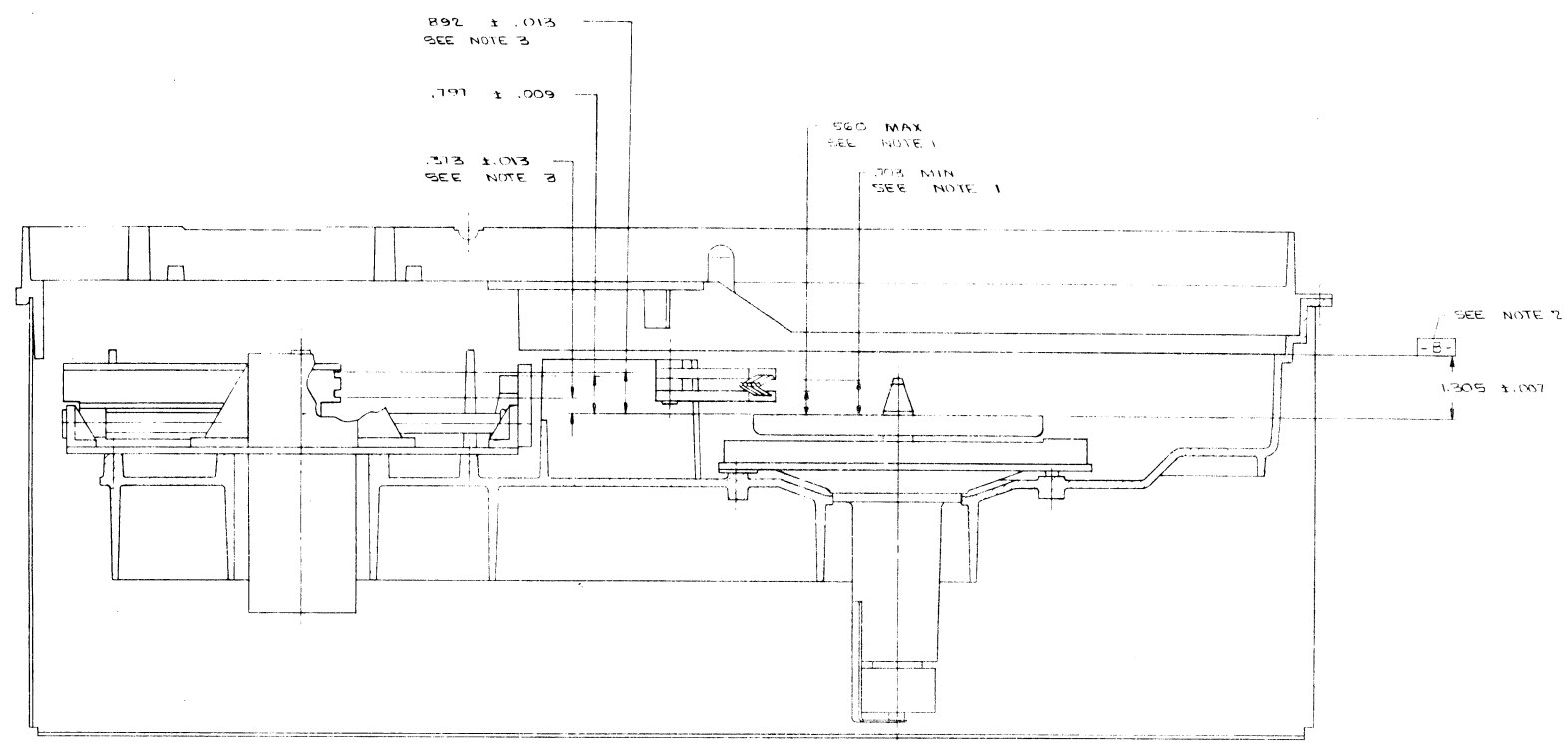
E UA RLOI-0-0





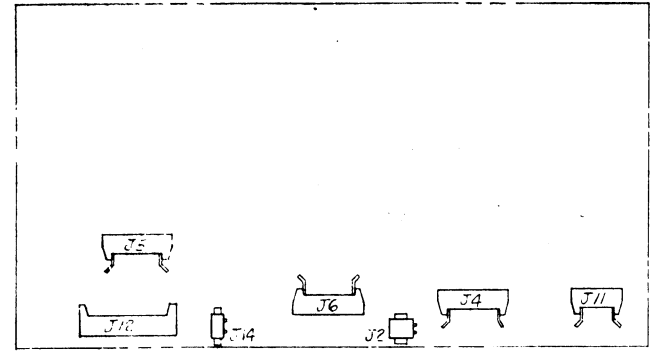
THIS DRAWING AND SPECIFICATIONS HEREBY ARE THE PROPERTY OF DIGITAL EQUIPMENT CORPORATION AND SHALL NOT BE REPRODUCED OR COPIED OR USED IN WHOLE OR IN PART AS THE BASIS FOR THE MANUFACTURE OR SALE OF ITEMS WITHOUT WRITTEN PERMISSION. CONTACT: 0100, DIGITAL EQUIPMENT CORPORATION

NOTES:  
 1. DIMENSION APPLIES TO HIGHER OR LOWEST POINT ALONG BRUSHARM OR BLOCK OF BRUSH  
 2. 3 TOOLING POINTS SEE DRAWING 7A15237  
 3. DIMENSION HAS TO BE WITHIN .002 AT BOTH EXTREMES OF CARRIAGE TRAVEL

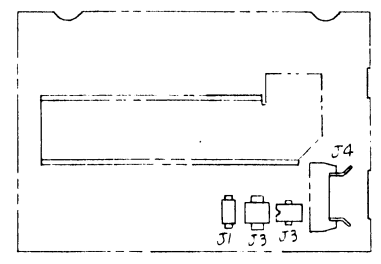


THIRD ANGLE PROJECTION		QUANTITY & VARIATION		DESCRIPTION		DWG. PART NO.		ITEM NO.	
UNLESS OTHERWISE SPECIFIED DIMENSIONS ARE IN INCHES									
CLASS. OF ACCURACY		CHECK ONE		NOMINAL DIMENSION RANGE INCHES		DWT		ITEM NO.	
SURFACE QUALITY		MICH. INCHES		PREFERRED		1.00		1.00	
FINISH		MATERIAL		SCALE		SHEET		OF 3	
DO NOT SCALE DIM.		NEXT HIGHER ASSY		TITLE		RLO1 DISK DRIVE ASSEMBLY		REV L	
FIRST USE ON		DATE		BY		EUA		RLO1-0-0	

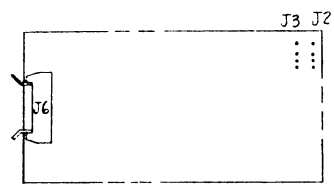
THIS DRAWING AND SPECIFICATIONS, HEREIN ARE THE PROPERTY OF CAPITAL EQUIPMENT CORPORATION AND SHALL NOT BE REPRODUCED OR COPIED OR USED IN WHOLE OR IN PART AS THE BASIS FOR THE MANUFACTURE OR SALE OF ITEMS WITHOUT WRITTEN PERMISSION.  
 CAPITAL EQUIPMENT CORPORATION  
 COPYRIGHT ©



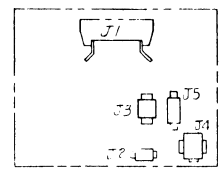
LOGIC BOARD  
 FIG 1



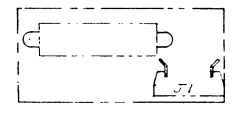
D.C. SERVO BOARD  
 FIG 4



R/W BOARD  
 FIG 2



A.C. SERVO BOARD  
 FIG 5

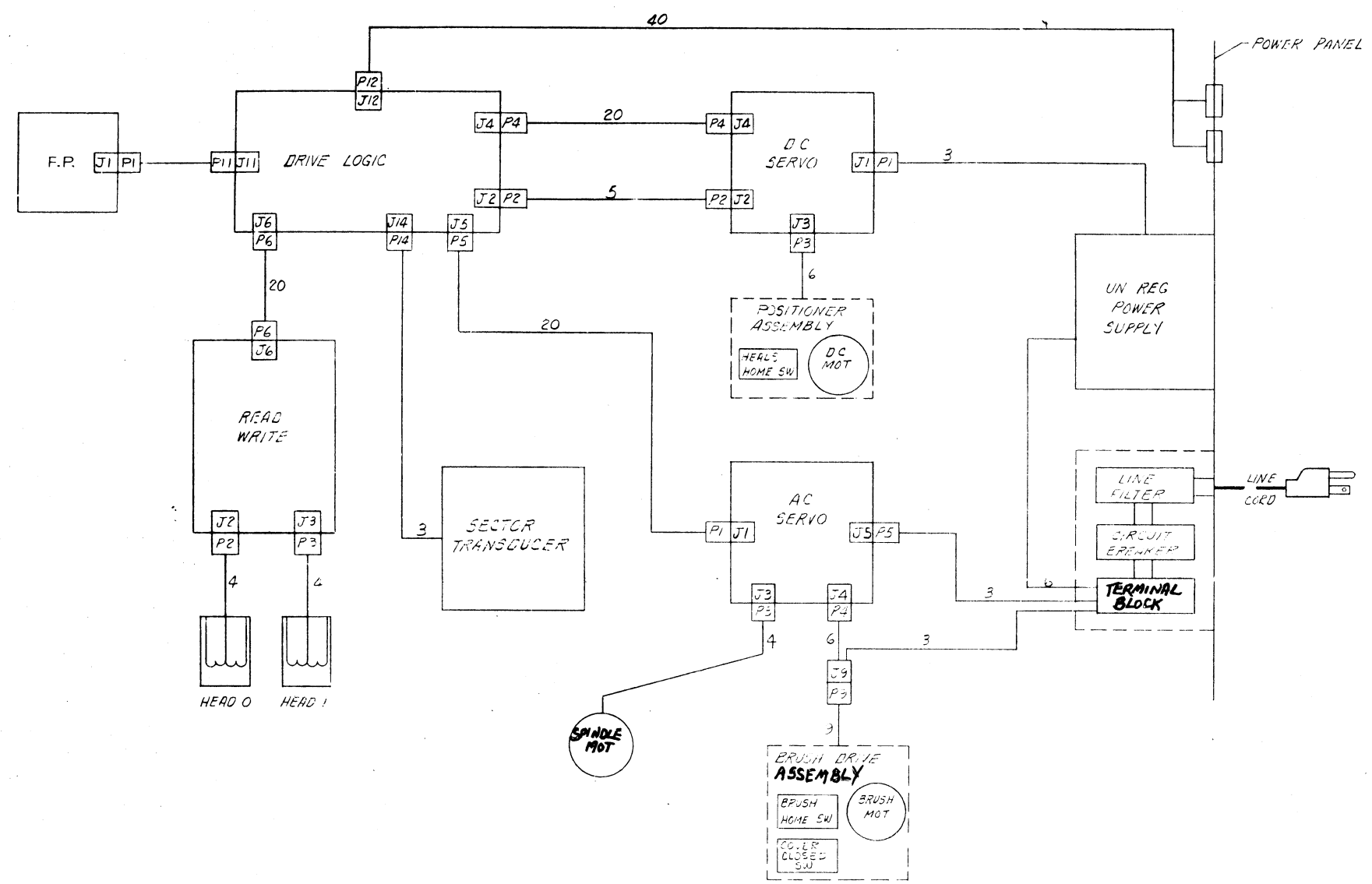


FRONT PANEL BOARD  
 FIG 3

REV.	CHANGE NO.	DESCRIPTION
A		RELEASED AT REV A
B		RL01-CX010 DWG-N° RL01-03 WAS RELOID BY [Signature]

QUANTITY & VARIATION		DESCRIPTION	DWG. PART NO.	ITEM NO.
UNLESS OTHERWISE SPECIFIED DIMENSIONS ARE IN INCHES				
ANGLES 90°/30°	CLASS OF ACCURACY	NOMINAL DIMENSION RANGE INCHES		
SURFACE QUALITY IN	(CHECK ONE)	OVER 0 TO 0.2	OVER 0.2 TO 1.2	OVER 1.2 TO 4.0
	MEDIUM	±.004	±.008	±.012
MICROINCHES	PREFERRED	±.012	±.018	±.025
			±.04	±.063
THIRD ANGLE PROJECTION	DRN: R Smith	3-27-72	FIRST USED ON	digital
REMOVE BURRS AND BREAK SHARP CORNERS	CHK'D		TITLE	RL01 SYSTEM CABLING
DO NOT SCALE DWG	PROJ. ENG. [Signature]	9-27-77		
MATERIAL	PROJ. ENG. [Signature]	10/17/77		
FINISH	DO NOT SCALE DWG			
	SCALE	1/2	SIZE CODE	D I C
	SHEET	1 OF 2	NUMBER	RL01-03
			REV.	B

THIS DRAWING AND SPECIFICATIONS, HEREIN ARE THE PROPERTY OF DIGITAL EQUIPMENT CORPORATION AND SHALL NOT BE REPRODUCED OR COPIED OR USED IN WHOLE OR IN PART AS THE BASIS FOR THE MANUFACTURE OR SALE OF ITEMS WITHOUT WRITTEN PERMISSION.  
 COPYRIGHT © 1978, DIGITAL EQUIPMENT CORPORATION



QUANTITY & VARIATION		DESCRIPTION		DWG./PART NO.	ITEM NO.
UNLESS OTHERWISE SPECIFIED DIMENSIONS ARE IN INCHES					
ANGLES 30° 30'	CLASS OF ACCURACY	NOMINAL DIMENSION RANGE INCHES			
SURFACE QUALITY	IN	OVER 0 TO 0.2	OVER 0.2 TO 1.2	OVER 1.2 TO 4.0	OVER 4.0 TO 12.0
MEDIUM	✓	±.004	±.008	±.012	±.016
PREFERRED	□	±.012	±.016	±.025	±.04
THIRD ANGLE PROJECTION		DRN: R 4/11/77 9-27-77		FIRST USED ON RL01 digital	
REMOVE BURRS AND BREAK SHARP CORNERS		CHK'D: [Signature]		TITLE RL01 SYSTEM CABLING	
DO NOT SCALE DWG		PROJ. ENG: [Signature]		SIZE CODE D IC	
MATERIAL		NEXT HIGHER ASSY.		NUMBER RL01-0-3	
FINISH		SCALE		REV. B	
SHEET 2 OF 2		DIST.			

REV.	
CHANGE NO.	
CHK	

8 7 6 5 4 3 2 1

8 7 6 5 4 3 2 1

D  
C  
B  
A

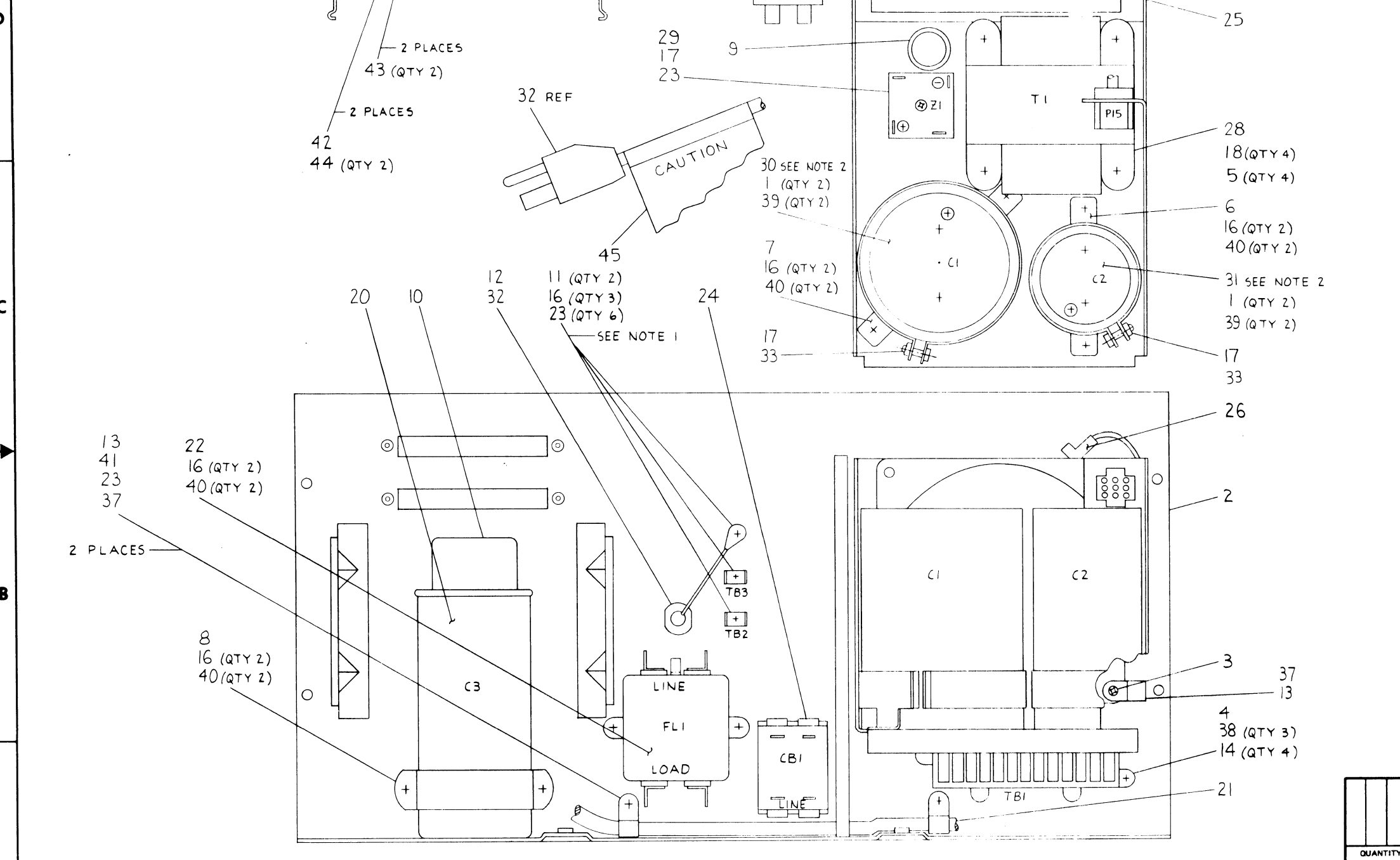
D  
C  
B  
A

RL01-0-3

RL01-0-3

"THIS DRAWING AND SPECIFICATIONS HEREIN ARE THE PROPERTY OF DIGITAL EQUIPMENT CORPORATION AND SHALL NOT BE REPRODUCED OR COPIED OR USED IN WHOLE OR IN PART AS THE BASIS FOR THE MANUFACTURE OR SALE OF ITEMS WITHOUT WRITTEN PERMISSION. COPYRIGHT © 1978 . DIGITAL EQUIPMENT CORPORATION"

NOTES:  
 1. INT TOOTH LOCK WASHERS (ITEM 23) ARE USED OVER AND UNDER 2 POSITION TERMINALS (ITEM 11) AND GROUND TERMINAL.  
 2. ORIENT TERMINALS AS SHOWN.



ITEM NO.	DESCRIPTION	DWG/PART NO.	ITEM NO.
1	LABEL, AC CORD WARNING	3611448-00	45
4	SCR, SLOTTED RD HD 4-40 X 25 LG	9006397-05	44
4	RECEPTACLE, GUIDE	1211591-38	43
2	RECEPTACLE	1211591-35	42
2	SCR, PHL PAN HD 6-32 X .31 LG	9006021-01	41
8	WASHER, EXT TOOTH LOCK #6	9007649-00	40
4	WASHER, INT TOOTH LOCK #10	9006635-00	39
3	SCR, PHL PAN HD #6 X .31 LG SELF-TAP	9009800-06	38
7	WASHER, FLAT #6	9006653-00	37
1	HARNESS, TB	8-IA-7012125-0B	36
1	HARNESS, TB	8-IA-7012125-0E	35
1	HARNESS, POWER	C-IA-7012142-0-0	34
6	NUT, KEP #6	9006560-00	33
1	LINE CORD	8-IA-7012109-0-0	32
1	CAPACITOR, 20000 MF 40V	1013531-00	31
1	CAPACITOR, 66000 MF 30V	1013530-00	30
1	DIODE ASSEMBLY	1110051-00	29
1	TRANSFORMER	1613897-00	28
1	GRILL, FAN	1210263-00	27
1	CABLE, FAN	8-IA-7012110-0-0	26
1	FAN	1209403-01	25
1	CIRCUIT BREAKER	1214360-00	24
9	WASHER, INT TOOTH LOCK #6	9006633-00	23
1	RFI FILTER	1215360-00	22
1	HARNESS, POWER PANEL	D-IA-7012108-0-0	21
1	MOTOR (CAPACITOR)	1013102-00	20
3	SCR, PHL PAN HD 6-32 X .88 LG	9006027-01	19
4	SCR, PHL PAN HD 8-32 X .31 LG	9006036-01	18
3	SCR, PHL PAN HD 6-32 X .44 LG	9006023-01	17
11	SCR, PHL PAN HD 6-32 X .25 LG	9006020-01	16
A/R	TAPE, FOAM	9009059-01	15
4	SCR, PHL PAN HD #6 X .88 LG SELF-TAP	9009800-01	14
3	CLAMP, CABLE 5/16	9007082-00	13
1	BUSHING, STRAIN RELIEF	9009768-01	12
2	TERM, QUICK 2 POS ADAPTER	9007113-00	11
1	INSULATOR, MOTOR CAP	1213683-00	10
1	GROMMET, RUBBER	9007016-00	9
1	BRACKET, CAPACITOR MOTOR	1213156-01	8
1	BRACKET, CAPACITOR	1210431-00	7
1	BRACKET, CAPACITOR	1210430-00	6
4	WASHER, EXT TOOTH LOCK #8	9008072-00	5
1	TERMINAL BLOCK ASSY	C-AD-7012127-0-0	4
1	SCR, PHL PAN HD 6-32 X 1.00 LG	9006028-01	3
1	CHASSIS, POWER SUPPLY	D-IA-7416326-0-0	2
4	SCR, PHL PAN HD 10-32 X .31 LG	9006070-01	1

REV.	CHANGE NO.	DESCRIPTION
A		RELEASED AT
B		PREVIOUS REV X08
C		7012130-0001 G. REICHENBERG
D		7012130-0002 G. SCHNEIDER
E		RL01-00009 G. SCHNEIDER
F		7012130-CX003 K. GUENZEL
G		7012130-CX004 G. REICHENBERG
H		7012130-CX005 G. REICHENBERG
I		RL01-CZ018 K. GUENZEL
J		7012130-C6006 K. GUENZEL
K		7012130-C6006 K. GUENZEL

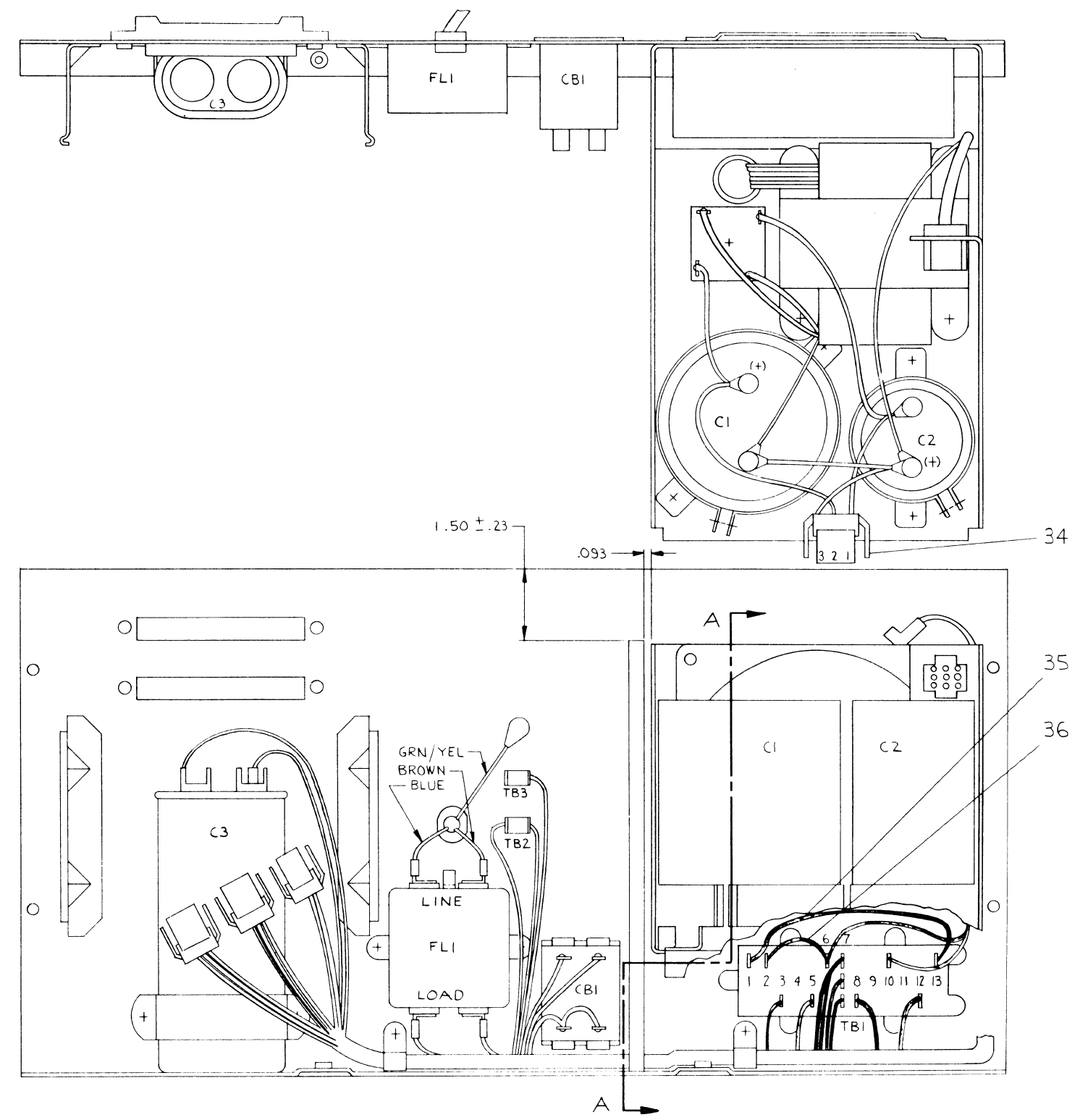
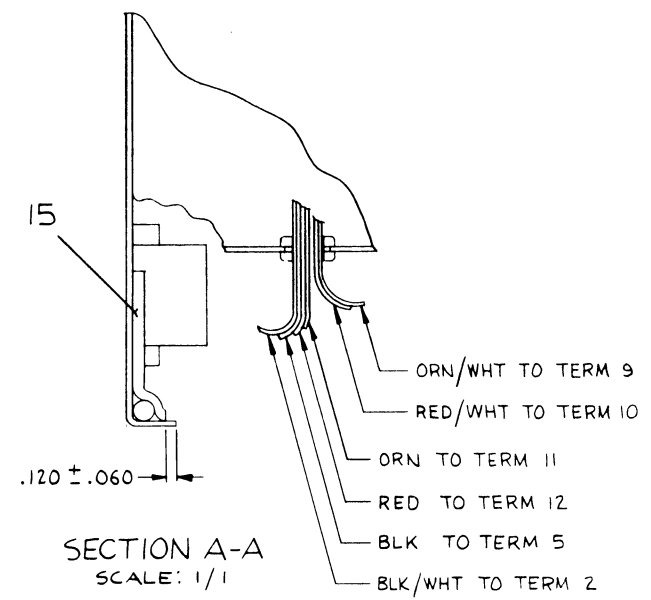
CHK	REV.	DATE
	A	
	B	
	C	
	D	
	E	
	F	
	G	
	H	
	I	
	J	
	K	

QUANTITY & VARIATION		DESCRIPTION		DWG/PART NO.		ITEM NO.	
0	1	ANGLES	10° 30'	CLASS OF ACCURACY	(CHECK ONE)	NOMINAL DIMENSION RANGE INCHES	
		SURFACE QUALITY	IN			OVER 0 TO 0.2	OVER 0.2 TO 1.2
						OVER 1.2 TO 4.0	OVER 4.0 TO 12.0
						OVER 12.0 TO 40.0	OVER 40.0 TO 80.0
						OVER 80.0 TO 160.0	OVER 160.0 TO 320.0
						OVER 320.0 TO 640.0	OVER 640.0 TO 1280.0
						OVER 1280.0 TO 2560.0	OVER 2560.0 TO 5120.0
						OVER 5120.0 TO 10240.0	OVER 10240.0 TO 20480.0
						OVER 20480.0 TO 40960.0	OVER 40960.0 TO 81920.0
						OVER 81920.0 TO 163840.0	OVER 163840.0 TO 327680.0
						OVER 327680.0 TO 655360.0	OVER 655360.0 TO 1310720.0
						OVER 1310720.0 TO 2621440.0	OVER 2621440.0 TO 5242880.0
						OVER 5242880.0 TO 10485760.0	OVER 10485760.0 TO 20971520.0
						OVER 20971520.0 TO 41943040.0	OVER 41943040.0 TO 83886080.0
						OVER 83886080.0 TO 167772160.0	OVER 167772160.0 TO 335544320.0
						OVER 335544320.0 TO 671088640.0	OVER 671088640.0 TO 1342177280.0
						OVER 1342177280.0 TO 2684354560.0	OVER 2684354560.0 TO 5368709120.0
						OVER 5368709120.0 TO 10737418240.0	OVER 10737418240.0 TO 21474836480.0
						OVER 21474836480.0 TO 42949672960.0	OVER 42949672960.0 TO 85899345920.0
						OVER 85899345920.0 TO 171798691840.0	OVER 171798691840.0 TO 343597383680.0
						OVER 343597383680.0 TO 687194767360.0	OVER 687194767360.0 TO 1374389534720.0
						OVER 1374389534720.0 TO 2748779069440.0	OVER 2748779069440.0 TO 5497558138880.0
						OVER 5497558138880.0 TO 10995116277760.0	OVER 10995116277760.0 TO 21990232555520.0
						OVER 21990232555520.0 TO 43980465111040.0	OVER 43980465111040.0 TO 87960930222080.0
						OVER 87960930222080.0 TO 175921860444160.0	OVER 175921860444160.0 TO 351843720888320.0
						OVER 351843720888320.0 TO 703687441776640.0	OVER 703687441776640.0 TO 1407374883553280.0
						OVER 1407374883553280.0 TO 2814749767106560.0	OVER 2814749767106560.0 TO 5629499534213120.0
						OVER 5629499534213120.0 TO 11258999068426240.0	OVER 11258999068426240.0 TO 22517998136852480.0
						OVER 22517998136852480.0 TO 45035996273704960.0	OVER 45035996273704960.0 TO 90071992547409920.0
						OVER 90071992547409920.0 TO 180143985094819840.0	OVER 180143985094819840.0 TO 360287970189639680.0
						OVER 360287970189639680.0 TO 720575940379279360.0	OVER 720575940379279360.0 TO 1441151880758558720.0
						OVER 1441151880758558720.0 TO 2882303761597117440.0	OVER 2882303761597117440.0 TO 5764607523194234880.0
						OVER 5764607523194234880.0 TO 11529215046388469760.0	OVER 11529215046388469760.0 TO 23058430092776939520.0
						OVER 23058430092776939520.0 TO 46116860185553879040.0	OVER 46116860185553879040.0 TO 92233720371107758080.0
						OVER 92233720371107758080.0 TO 184467440742215516160.0	OVER 184467440742215516160.0 TO 368934881484431032320.0
						OVER 368934881484431032320.0 TO 737869762968862064640.0	OVER 737869762968862064640.0 TO 1475739525937724129280.0
						OVER 1475739525937724129280.0 TO 2951479051875448258560.0	OVER 2951479051875448258560.0 TO 5902958103750896517120.0
						OVER 5902958103750896517120.0 TO 11805916207501793034240.0	OVER 11805916207501793034240.0 TO 23611832415003586068480.0
						OVER 23611832415003586068480.0 TO 47223664830007172136960.0	OVER 47223664830007172136960.0 TO 94447329660014344273920.0
						OVER 94447329660014344273920.0 TO 188894659320028688547840.0	OVER 188894659320028688547840.0 TO 377789318640057377095680.0
						OVER 377789318640057377095680.0 TO 755578637280114754191360.0	OVER 755578637280114754191360.0 TO 1511157274560229508382720.0
						OVER 1511157274560229508382720.0 TO 3022314549120459016765440.0	OVER 3022314549120459016765440.0 TO 6044629098240918033530880.0
						OVER 6044629098240918033530880.0 TO 12089258196481836067061760.0	OVER 12089258196481836067061760.0 TO 24178516392963672134123520.0
						OVER 24178516392963672134123520.0 TO 48357032785927344268247040.0	OVER 48357032785927344268247040.0 TO 96714065571854688536494080.0
						OVER 96714065571854688536494080.0 TO 193428131143709377072988160.0	OVER 193428131143709377072988160.0 TO 386856262287418754145976320.0
						OVER 386856262287418754145976320.0 TO 773712524574837508291952640.0	OVER 773712524574837508291952640.0 TO 1547425049149675015783905280.0
						OVER 1547425049149675015783905280.0 TO 3094850098299350031567810560.0	OVER 3094850098299350031567810560.0 TO 6189700196598700063135621120.0
						OVER 6189700196598700063135621120.0 TO 12379400393197400126271242240.0	OVER 12379400393197400126271242240.0 TO 2475880078639480025254484480.0
						OVER 2475880078639480025254484480.0 TO 4951760157278960050511088960.0	OVER 4951760157278960050511088960.0 TO 9903520314557920101022217920.0
						OVER 9903520314557920101022217920.0 TO 19807040629115840202044435840.0	OVER 19807040629115840202044435840.0 TO 39614081258231680404088871680.0
						OVER 39614081258231680404088871680.0 TO 79228162516463360808177743360.0	OVER 79228162516463360808177743360.0 TO 158456325032926721616345486720.0
						OVER 158456325032926721616345486720.0 TO 316912650065853443232690973440.0	OVER 316912650065853443232690973440.0 TO 633825300131706886465381946880.0
						OVER 633825300131706886465381946880.0 TO 1267650600263413772930763893760.0	OVER 1267650600263413772930763893760.0 TO 2535301200526827545861527787520.0
						OVER 2535301200526827545861527787520.0 TO 5070602401053655091723055575040.0	OVER 5070602401053655091723055575040.0 TO 10141204802107310183446111150080.0
						OVER 10141204802107310183446111150080.0 TO 20282409604214620366889222300160.0	OVER 20282409604214620366889222300160.0 TO 40564819208429240733778444600320.0
						OVER 40564819208429240733778444600320.0 TO 81129638416858481467556889200640.0	OVER 81129638416858481467556889200640.0 TO 162259276833716962935113778401280.0
						OVER 162259276833716962935113778401280.0 TO 324518553667433925870227556802560.0	OVER 324518553667433925870227556802560.0 TO 649037107334867851740455113605120.0
						OVER 649037107334867851740455113605120.0 TO 1298074214669735703480910227210240.0	OVER 1298074214669735703480910227210240.0 TO 2596148429339471406961820454420480.0
						OVER 2596148429339471406961820454420480.0 TO 5192296858678942813923640908840960.0	OVER 5192296858678942813923640908840960.0 TO 10384593717357885627847281817681920.0
						OVER 10384593717357885627847281817681920.0 TO 20769187434715771245694563635363840.0	OVER 20769187434715771245694563635363840.0 TO 4153837486943154249138927270727680.0
						OVER 4153837486943154249138927270727680.0 TO 8307674973886308498277784544154560.0	OVER 8307674973886308498277784544154560.0 TO 1661534994777261699655556908829120.0
						OVER 1661534994777261699655556908829120.0 TO 3323069989554523399311113817658240.0	OVER 3323069989554523399311113817658240.0 TO 6646139979109046798622227635316480.0
						OVER 6646139979109046798622227635316480.0 TO 13292279958218093597244455270631680.0	OVER 13292279958218093597244455270631680.0 TO 26584559916436187194488910541263360.0
						OVER 26584559916436187194488910541263360.0 TO 53169119832872374388977821082526720.0	OVER 53169119832872374388977821082526720.0 TO 106338239665744



THIS DRAWING AND SPECIFICATIONS HEREIN ARE THE PROPERTY OF DIGITAL EQUIPMENT CORPORATION AND SHALL NOT BE REPRODUCED OR COPIED OR USED IN WHOLE OR IN PART AS THE BASIS FOR THE MANUFACTURE OR SALE OF ITEMS WITHOUT WRITTEN PERMISSION. COPYRIGHT © 1978 DIGITAL EQUIPMENT CORPORATION

- NOTES:
- INPUT VOLTAGE 50 OR 60 HZ  
90-110, 105-128 VAC  
180-220, 210-256 VAC
  - OUTPUT VOLTAGE  $\pm 11.5$  VDC MIN AT MIN POINT OF THE RIPPLE. 18 VDC MAX AT HIGH LINE. (MAX OF 25 VDC AT HIGH LINE NO LOAD).
  - OUTPUT CURRENT: POSITIVE OUTPUT  
2.5 AMP CONTINUOUS  
3.5 AMP PULSE "25 MS"  
NEGATIVE OUTPUT  
.25 AMP CONTINUOUS  
3.5 AMP PULSE "25 MS"  
PULSE CURRENT ON ALTERNATE OUTPUT AT A 65 MS OUT CYCLE.
  - OUTPUT RIPPLE AT 110 VOLTS  
A. NO LOAD 100 MV P/P  
B. +2.5 A 600 MV P/P  
-.25 A 300 MV P/P  
C. +2.5 A 600 MV P/P  
-3.75 A 1.5 V DURING PULSE
  - RIPPLE AT 90 V RMS  
+2.5 A 500 MV  
-3.75 A 2 V  
+6 A 900 MV  
-.25 A 400 MV
  - HIGH POT TEST PER UL 478  
CONNECT BOTH AC LEADS TO THE POSITIVE TERMINAL OF THE SUPPLY AND GRN WIRE GROUND TO THE NEGATIVE TERMINAL OF THE SUPPLY. CLOSE CIRCUIT BREAKER AND INCREASE VOLTAGE TO 1750 VDC, ANY CURRENT INDICATES FAILURE.



REVISIONS		
CHK	CHANGE NO.	REV.

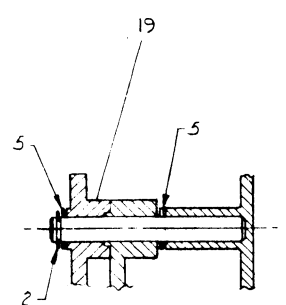
TITLE	POWER PANEL ASSY	SIZE CODE	DAD7012130-0-0	NUMBER	K	REV.	
SCALE:	1/1	SHEET	2 OF 3	DIST.			



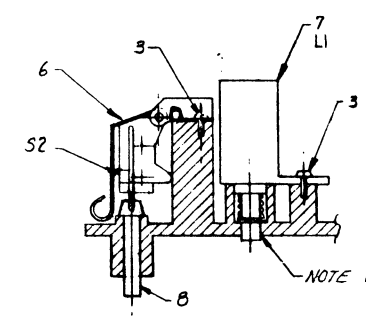
THIS DRAWING AND SPECIFICATIONS, HEREIN, ARE THE PROPERTY OF DIGITAL EQUIPMENT CORPORATION AND SHALL NOT BE REPRODUCED OR COPIED OR USED IN WHOLE OR IN PART FOR THE MANUFACTURE OR SALE OF ITEMS WITHOUT WRITTEN PERMISSION. COPYRIGHT © 1970, DIGITAL EQUIPMENT CORPORATION

0-0-211212 0-0 2

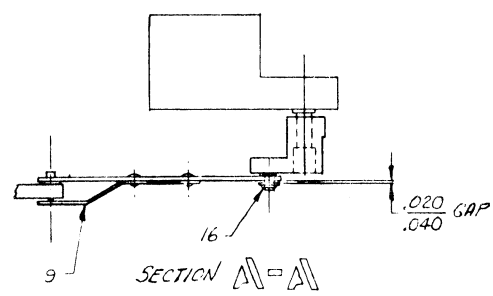
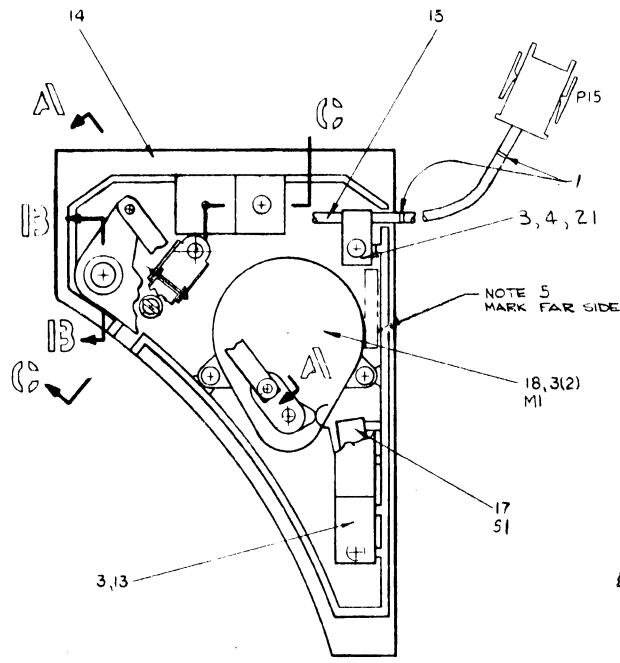
- NOTES:
1. PLUNGER OF SOLENOID (ITEM 7) MUST MOVE FREELY, WHEN ASSEMBLY IS POSITIONED IN "UP" POSITION (TIP OF PLUNGER POINTING UP). A D.C. VOLTAGE OF 6.9 VOLTS SHALL PULL THE PLUNGER DOWN.
  2. UPPER AND LOWER BRUSH HOLDER (ITEMS 11 & 12) BOWED TOGETHER WITH (ITEM 21) BEFORE ASSEMBLY TO COVER (ITEM 14).
  3. ADJUST SWITCH (ITEM 17) BY LATERAL MOVEMENT OF BRACKET (ITEM 15). TRANSITION OF SWITCH TO OCCUR AT DEAD-CENTER OF CRANK (ITEM 19).
  4. CONNECT LEADS OF MOTOR (ITEM 18) TO PINS 3 & 4 OF CONNECTOR P15 AND LEADS OF SOLENOID (ITEM 7) TO PINS 6 & 7 OF CONNECTOR P15. DRESS WIRES AND TIE TO HARNESS (ITEM 15) WITH ITEM 1 AS SHOWN.
  5. PART TO BE MARKED WITH PART # (7012112) AND REVISION LETTER IN AREA SHOWN.



SECTION B-B



SECTION C-C

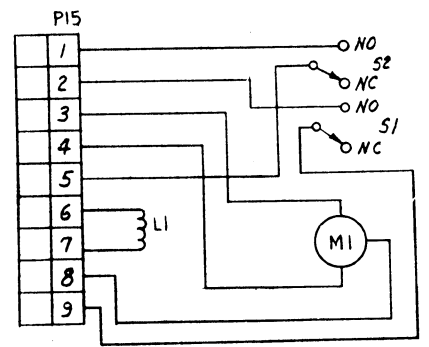
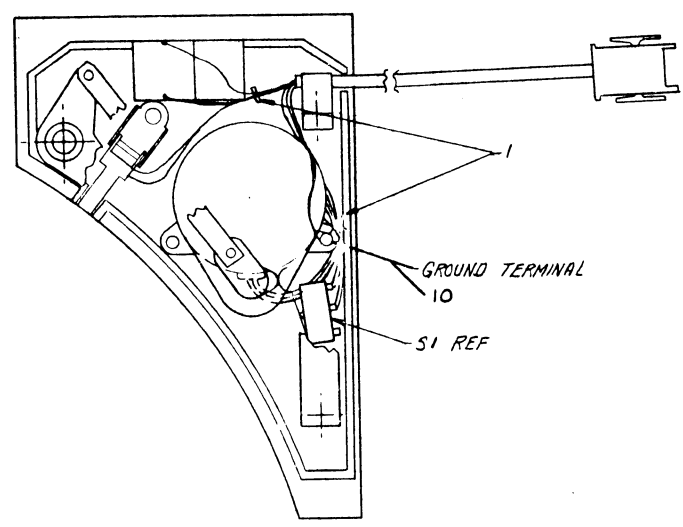


REV.	DESCRIPTION	DATE
A	RELEASED AT A PREVIOUS REV. XOS	
B	7012112-CX001	
C	7012112-CX002	
D	7012112-CZ003	
E	7012112-CZ004	

QTY	DESCRIPTION	DWG/PART NO.	ITEM NO.
1	WASHER, #6 FLAT	9006653-00	21
1	BRUSH AND HOLDER ASSY	D-1A-7014726-0-0	19
1	MOTOR, CRANK ASSEMBLY	C-AD-7014261-0-0	18
1	SWITCH	A-PS-1214011-06	17
1	PUSHNUT FASTENER	9009865-00	16
1	BRUSH DRIVE HARNESS	C-1A-7012126-0-0	15
1	COVER, BRUSH DRIVE	E-1A-7415224-0-0	14
1	BRACKET, SWITCH	C-MD-7415229-0-0	13
1	HOLDER, UPPER BRUSH	C-MD-7415226-0-0	12
1	HOLDER, LOWER BRUSH	C-MD-7415225-0-0	11
1	WASHER, LOCK #6 EXT	A-PS-9007649	10
1	BRUSH DRIVE LINK ASSEMBLY	C-1A-7415589-0-0	9
1	PLUNGER, CARTRIDGE SENSE	B-MD-7416558-0-0	8
1	SOLENOID, COVER LOCK	C-PS-1213204-0-0	7
1	CARTRIDGE SENSE SWITCH ASSY	C-AD-7012132-0-0	6
2	WASHER	9009868-00	5
1	CLAMP, CABLE	9007081-00	4
6	SCR, SELF-TAP, #6 X .38 LG	9009800-06	3
1	RETAINER	9009866-00	2
4	WRAP, TIE	9007031-00	1

THIRD ANGLE PROJECTION	DRN: 8/27/74	FIRST USED ON	7012112
REMOVE BURRS AND BREAK SHARP CORNERS	CHK'D: 8/27/74	TITLE	BRUSH DRIVE ASSEMBLY
DO NOT SCALE DWG	PROJ. ENG: 8/27/74	SCALE	1:1
MATERIAL	SEE PARTS LIST	SIZE	D AD 701212 0-0
FINISH		SHEET	1 OF 2

"THIS DRAWING AND SPECIFICATIONS HEREIN ARE THE PROPERTY OF DIGITAL EQUIPMENT CORPORATION AND SHALL NOT BE REPRODUCED OR COPIED OR USED IN WHOLE OR IN PART AS THE BASIS FOR THE MANUFACTURE OR SALE OF ITEMS WITHOUT WRITTEN PERMISSION. COPYRIGHT © 1976 DIGITAL EQUIPMENT CORPORATION"



CIRCUIT SCHEMATIC

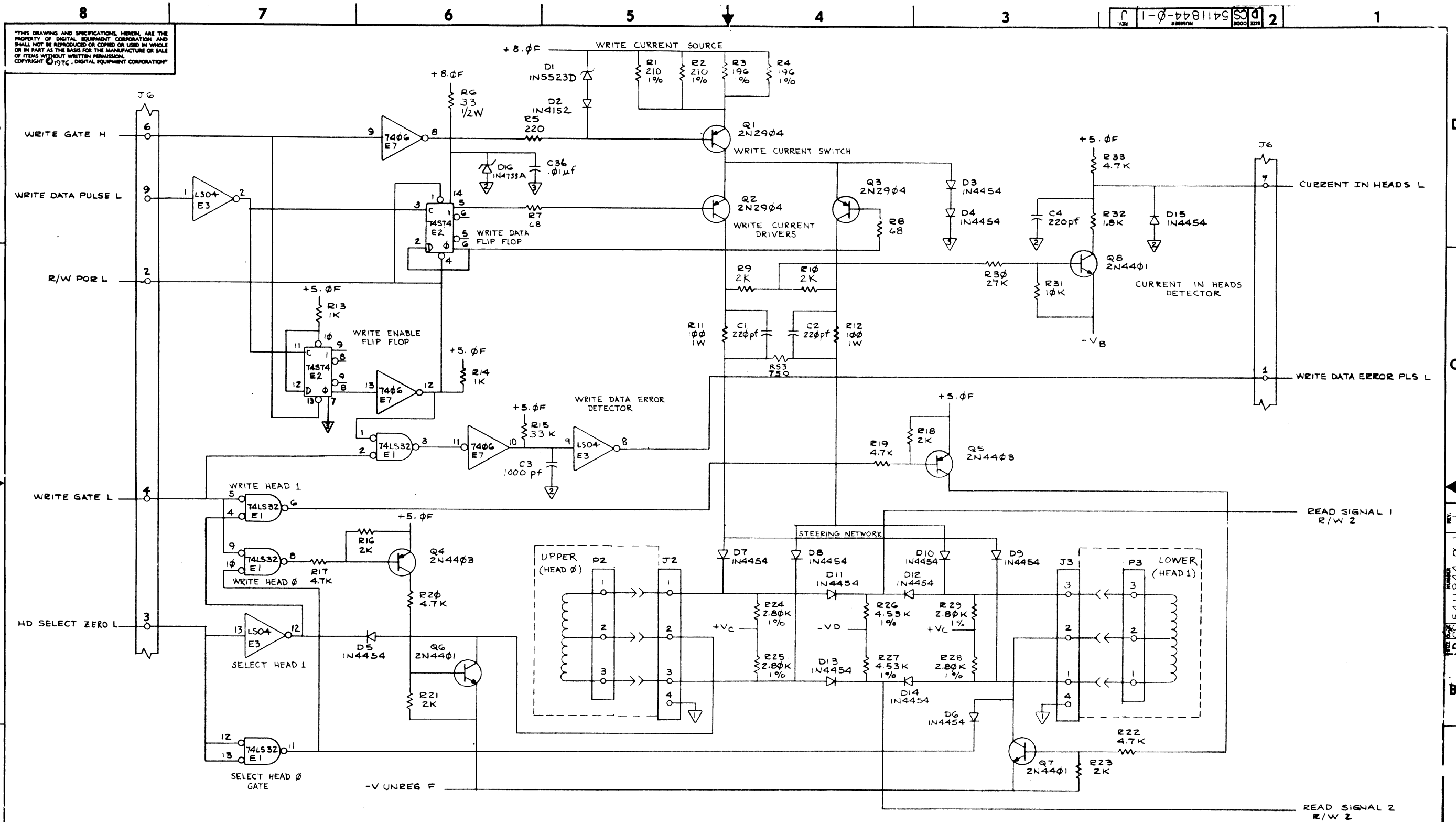
REVISIONS		
CHK	CHANGE NO.	REV.

TITLE	BRUSH DRIVE ASSEMBLY	SIZE	3008	NUMBER	D AD 7012112-0-0
SCALE	1:1	SHEET	2	OF	2

D AD 7012112-0-0

B

A



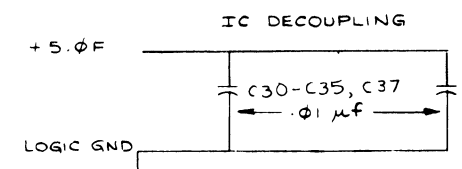
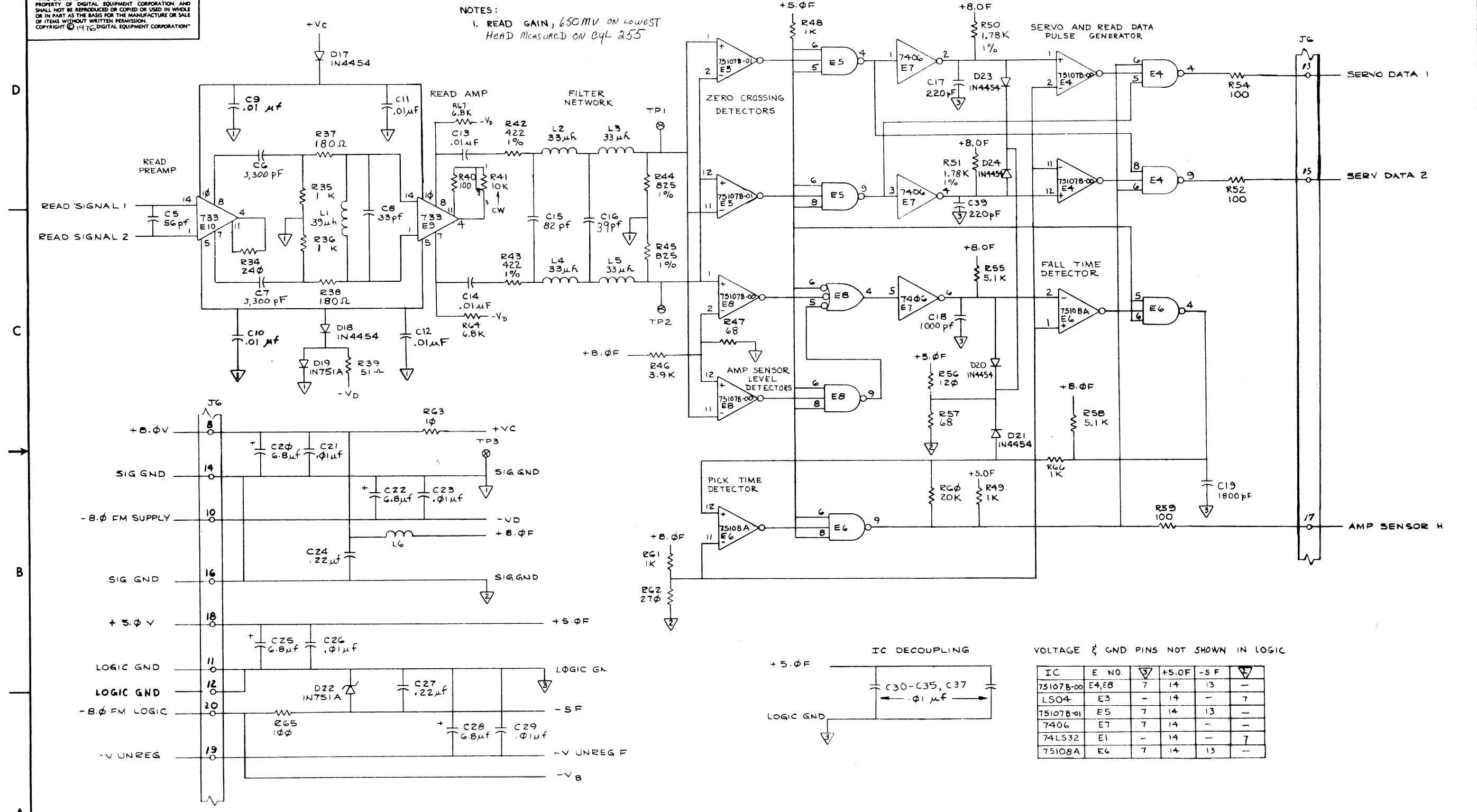
"THIS DRAWING AND SPECIFICATIONS, HEREIN, ARE THE PROPERTY OF DIGITAL EQUIPMENT CORPORATION AND SHALL NOT BE REPRODUCED OR COPIED OR USED IN WHOLE OR IN PART AS THE BASIS FOR THE MANUFACTURE OR SALE OF ITEMS WITHOUT WRITTEN PERMISSION. COPYRIGHT © 1976, DIGITAL EQUIPMENT CORPORATION"

REV.	CHANGE NO.	DESCRIPTION
D		RELEASED TO D1
E		SAI1844-001
F		SAI1844-002
G		SAI1844-003
H		SAI1844-004
J		SAI1844-C2005

DRN: [ ]	2/26/76	FIRST USED ON	
CHK'D: [ ]	2-10-77	TITLE	READ/WRITE BOARD
ENG: [ ]	5-5-77	NUMBER	5411844-0-1
PROJ. ENG: [ ]	1/1/77	REV.	J
PROD: [ ]		SIZE	D
NEXT HIGHER ASSY.		CODE	CS
D-UA: 5411844-0-0		DIST.	
SCALE: [ ]			
SHEET 1 OF 2			

"THIS DRAWING AND SPECIFICATIONS, HEREIN, ARE THE PROPERTY OF DIGITAL EQUIPMENT CORPORATION AND SHALL NOT BE REPRODUCED OR COPIED OR USED IN WHOLE OR IN PART AS THE BASIS FOR THE MANUFACTURE OR SALE OF ITEMS WITHOUT WRITTEN PERMISSION. COPYRIGHT © 1970 DIGITAL EQUIPMENT CORPORATION"

NOTES:  
1. READ GAIN, 650 MV ON LOWEST HEAD MEASURED ON CYL 255



VOLTAGE & GND PINS NOT SHOWN IN LOGIC

IC	E NO.	+5.0V	-5V
75107B-00	E4, E8	7 14 13	-
LS04	E3	-	7
75107B-01	E5	7 14 13	-
7406	E7	7 14	-
74LS32	E1	-	7
75108A	E6	7 14	13

REVISIONS

CHK	CHANGE NO	REV

TITLE: READ/WRITE BOARD

SIZE CODE: DCS

NUMBER: 5411844-0-1

REV: J

SCALE: 1:1

SHEET: 2 OF 2

DIST:

DIGITAL EQUIPMENT CORPORATION

PARTS LIST

QUANTITY / VARIATION

NOTES:

MADE BY *P. Burnell* CHECKED *G. Reichenberg* SECTION  
 DATE *8-9-76* DATE *2-18-77*  
 ENG DATE *P. Burnell 5/5/77* PROD DATE *1/1/77* ISSUED SECTION

ITEM NO.	DRAWING NO.	PART NO.	DESCRIPTION	5411844-0-0	REF DESIGNATION
1	D-MD-5011843-0-0	5011843	ETCHED CIRCUIT BOARD	1	
2		1001610-00	CAPACITOR .01 uF 50V CER AX	16	C9, C10, C11, C12, C21, C23, C26, C29, C30, C31, C32, C33, C34, C35, C36, C37
3		1005306-00	CAPACITOR 6.8 uF 35V TANT	4	C20, C22, C25, C28
4		1000010-00	CAPACITOR 39 pF 100V MICA	1	C16
5		1000015-00	CAPACITOR 82 pF 100V MICA	1	C15
6		1013466-04	CAPACITOR 33 pF 50V CER AX	1	C8
7		1013466-05	CAPACITOR 56pF 50V CER AX	1	C5
8		1013466-07	CAPACITOR 220 pF 50V CER AX	5	C1, C2, C4, C17 C39
9		1013466-09	CAPACITOR 1,000 pF 50V CER AX	2	C3, C18
10		1013466-11	CAPACITOR .22 uF 50V CER AX	2	C24, C27
11		1013963-00	CAPACITOR 3,300 pF 500V 85U	2	C6, C7
12		1011740-02	CAPACITOR 1800 pF 50V CER RAD	1	C19
13		1109943-00	DIODE 1N4733A	1	D16
14		1113953-00	DIODE 1N5523D	1	D1
15		1110994-00	DIODE 1N751A	2	, D19, D22
16		1111577-00	DIODE 1N4454	19	, D3, D4, D5, D6, D7, D8, D9, D10, D11, D12, D13, D14, D15, D17, D18, D20, D21, D23, D24
17		1300271-00	RESISTOR 220Ω 1/4W 5% CC	1	R5
18		1300229-00	RESISTOR 100Ω 1/4W 5% CC	5	R40, R52, R54, R59, R65
19		1300232-00	RESISTOR 100Ω 1W 5% CC	2	R11, R12
20		1300247-00	RESISTOR 120Ω 1/4W 5% CC	1	R56
21		1300365-00	RESISTOR 1K 1/4W 5% CC	8	R13, R14, R35, R36, R48, R49, R61, R66
22		1300444-00	RESISTOR 3.9K 1/4W 5% CC	1	R46
23		1300447-00	RESISTOR 4.7K 1/4W 5% CC	5	R17, R19, R20, R22, R33
24		1300479-00	RESISTOR 10K 1/4W 5% CC	1	R31
25		1301317-00	RESISTOR 10Ω 1/4W 5% CC	1	R63
26		1302612-00	RESISTOR 1.78K 1/4W 1% MF	2	R50, R51
27		1300195-00	RESISTOR 33Ω 1/2W 5% CC	1	R6
28		1301972-00	RESISTOR 270Ω 1/4W 5% CC	1	R62

E.C.O. NO. RELEASED AT REV'D EQ VAL DI 5411844-0-001 2B E P. Burnell G. REICHENBERG 5411844-002 2B - F G. REICHENBERG 0003 PB - H P. Burnell G. Reichenberg 5411844-003 CEODS M. ZARICH M. Zarich

THIS DRAWING AND SPECIFICATIONS, HEREIN, ARE THE PROPERTY OF DIGITAL EQUIPMENT CORPORATION AND SHALL NOT BE REPRODUCED OR COPIED OR USED IN WHOLE OR IN PART AS THE BASIS FOR THE MANUFACTURE OR SALE OF ITEMS WITHOUT WRITTEN PERMISSION. COPYRIGHT © 1977 DIGITAL EQUIPMENT CORPORATION

TITLE: READ/WRITE BOARD ASSY NO.: D-DA-5411844-0-0 SIZE: B CODE: PL NUMBER: 5411844-0-0 REV.: J SHEET 1 OF 3 INSERTION PARTS LIST DATA BASE REV

**DIGITAL EQUIPMENT CORPORATION**  
**PARTS LIST**

<b>MADE BY</b> <i>E. Burnell</i>	<b>CHECKED</b> <i>E. Burnell</i>	<b>SECTION</b>
<b>DATE</b> <i>8-9-76</i>	<b>DATE</b> <i>2-18-77</i>	
<b>ENG</b>	<b>PROD</b>	<b>ISSUED SECTION</b>
<b>DATE</b> <i>1-18-77</i>	<b>DATE</b> <i>1-18-77</i>	

**QUANTITY / VARIATION**

**NOTES:**

ITEM NO.	DRAWING NO.	PART NO.	DESCRIPTION	5411844-0-0																REF DESIGNATION
29		1312930-00	RESISTOR 5.1K 1/4W 5% CC	2																R58, R55
30		1302388-00	RESISTOR 2K 1/4W 5% CC	6																R9, R10, R16, R18, R21, R23
31		1302391-00	RESISTOR 20K 1/4W 5% CC	1																R60
32		1300398-00	RESISTOR 1.8K 1/4W 5% CC	1																R32
33		1314863-00	RESISTOR 210Ω 1/4W 1% MF	2																R1, R2
34		1302956-00	RESISTOR 196Ω 1/4W 1% MF	2																R3, R4
35		1313349-00	RESISTOR 33K 1/4W 5% CC	1																R15
36		1305143-00	RESISTOR 825Ω 1/4W 1% MF	2																R44, R45
37		1305145-00	RESISTOR 2.80K 1/4W 1% MF	4																R24, R25, R28, R29
38		1305346-00	RESISTOR 27K 1/4W 5% CC	1																R30,
39		1312928-00	RESISTOR 51Ω 1/4W 5% CC	1																R39;
40		1301322-00	RESISTOR 180Ω 1/4W 5% CC	2																R37, R38
41		1313469-00	RESISTOR 240Ω 1/4W 5% CC	1																R34,
42		1313840-00	RESISTOR 4.53K 1/4W 1% MF	2																R26, R27
43		1309143-10	POTENTIOMETER, 10K	1																R41
44		1501913-00	TRANSISTOR 2N2904A T05	3																Q1, Q2, Q3
45		1513489-00	TRANSISTOR 2N4401 T092	3																Q6, Q7, Q8
46		1513490-00	TRANSISTOR 2N4403 T092	2																Q4, Q5
47		1210001-00	HEATSINK, T05	3																(Q1, Q2, Q3)
48		9007201-00	TRANSIPAD	3																(Q1, Q2, Q3)
49		9008268-00	THERMAL COMPOUND	AR																(Q1, Q2, Q3)
50		1611257-01	CHOKE CERAMIC BEAD PERMEABILITY 850	1																L6
51		1613898-01	INDUCTOR 33 μH	4																L2, L4, L3, L5
52		1613898-02	INDUCTOR 39 μH	1																L1
53		1910268-00	IC, DEC, 75107B-00	2																E4, E8
54		1912803-00	IC, DEC, LS04	1																E3
55		1910544-00	IC, DEC, 74S74	1																E2
56		1910644-00	IC, DEC, 733	2																E9, E10

**E.C.O. NO.** \_\_\_\_\_

THIS DRAWING AND SPECIFICATIONS. HEREIN. ARE THE PROPERTY OF DIGITAL EQUIPMENT CORPORATION AND SHALL NOT BE REPRODUCED OR COPIED OR USED IN WHOLE OR IN PART AS THE BASIS FOR THE MANUFACTURE OR SALE OF ITEMS WITHOUT WRITTEN PERMISSION. COPYRIGHT © 1977 . DIGITAL EQUIPMENT CORPORATION"	<b>TITLE</b> READ/WRITE BOARD	<b>ASSY NO.</b> D-UA-5411844-0-0	<b>SIZE</b> B	<b>CODE</b> PL	<b>NUMBER</b> 5411844-0-0	<b>REV.</b> J
		<b>SHEET</b> 2 <b>OF</b> 3	<b>INSERTION PARTS LIST DATA BASE REV</b>			



DIGITAL EQUIPMENT CORPORATION

PARTS LIST

QUANTITY / VARIATION

NOTES:

DATE 8-9-76	DATE 2-18-77	SECTION
ENG A. B. ...	PROD A. B. ...	ISSUED SECTION

ITEM NO.	DRAWING NO.	PART NO.	DESCRIPTION	5411844-0-0	REF DESIGNATION
57		1910741-00	IC, DEC, 7406	1	E7
58		1912816-00	IC, DEC, 74LS32	1	E1
59		1910268-01	IC, DEC, 75107B-01	1	E5
60		1910725-00	IC, DEC, 75108A	1	E6
61		1209941-06	CONNECTOR, 20 PIN BERG	1	J6
62		1209941-03	LATCH, CONNECTOR, RIGHT	1	J6
63		1209941-04	LATCH, CONNECTOR, LEFT	1	J6
64		1210385-01	PIN, HEAD CONNECTOR, GOLD	8	J2, J3
65		9007791-00	TERMINAL, TURRET	3	TP1, TP2, TP3
66					
67		1303067-00	RESISTOR, 422Ω, 1/4W, 1%, MF	2	R42, R43
68		1300219-00	RESISTOR, 68Ω, 1/4W, 5%, CC	4	R47, R57, R7, R8
69					
70		1301423-00	RESISTOR, 6.8K, 1/4W, 5%, CC	2	R64, R67
71		1301401-00	RESISTOR, 750Ω, 1/4W, 5%, CC	1	R53
72		1114117-00	DIODE, 1N4152	1	D2
73		1013466-16	CAP .01 μF	2	C13, C14

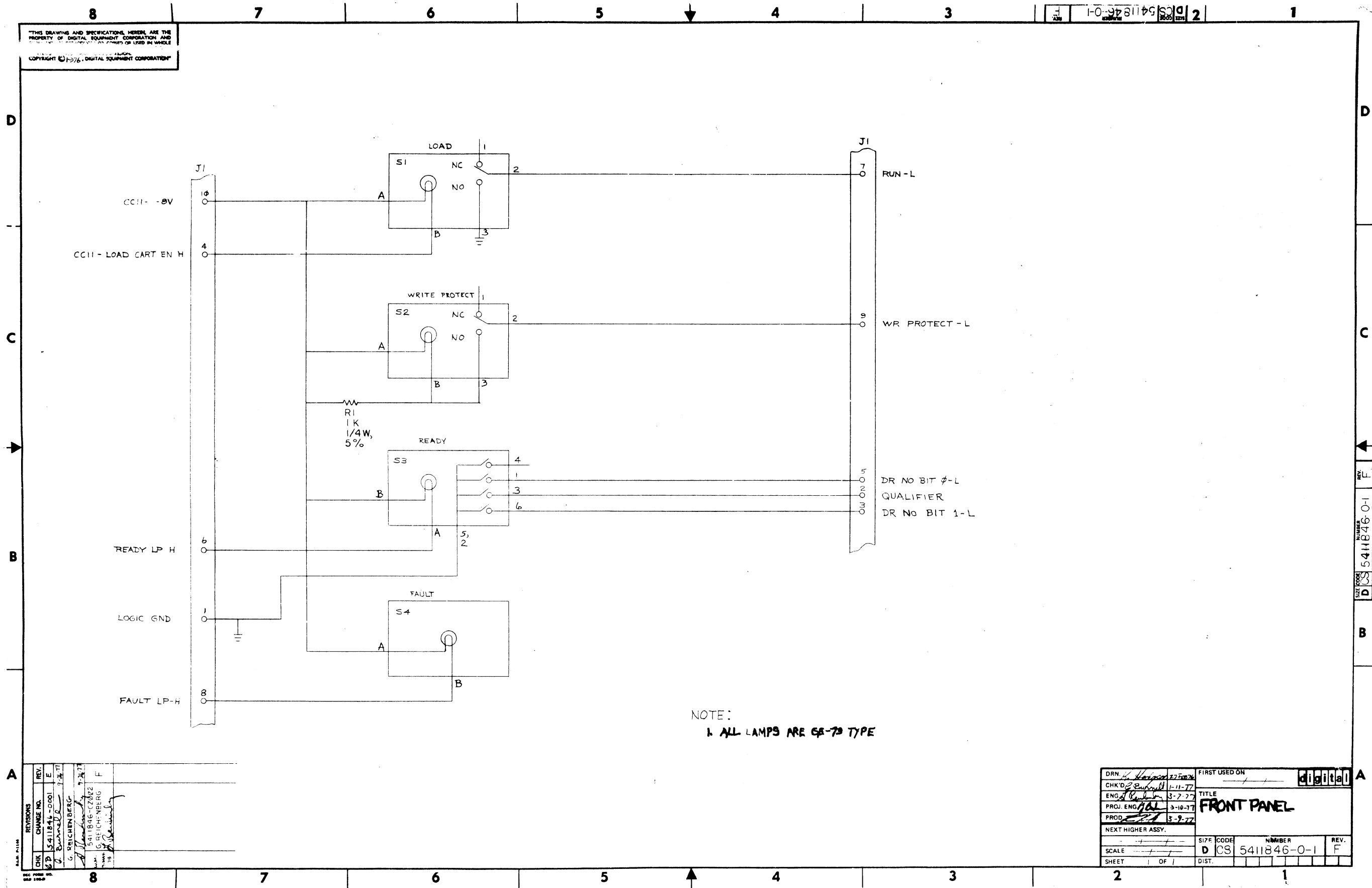
E.C.O. NO.

THIS DRAWING AND SPECIFICATIONS, HEREIN, ARE THE PROPERTY OF DIGITAL EQUIPMENT CORPORATION AND SHALL NOT BE REPRODUCED OR COPIED OR USED IN WHOLE OR IN PART AS THE BASIS FOR THE MANUFACTURE OR SALE OF ITEMS WITHOUT WRITTEN PERMISSION. COPYRIGHT © 1977 DIGITAL EQUIPMENT CORPORATION	TITLE	ASSY NO.	SIZE	CODE	NUMBER	REV.
	READ/WRITE BOARD	D-UA-5411844-0-0	B	PL	5411844-0-0	J
SHEET 3 OF 3			INSERTION PARTS LIST DATA BASE REV			



THIS DRAWING AND SPECIFICATIONS HEREIN ARE THE PROPERTY OF DIGITAL EQUIPMENT CORPORATION AND ARE NOT TO BE REPRODUCED OR USED IN WHOLE OR IN PART WITHOUT THE WRITTEN PERMISSION OF DIGITAL EQUIPMENT CORPORATION.  
 COPYRIGHT © 1976, DIGITAL EQUIPMENT CORPORATION

CS 5411846-01 2



NOTE:  
 1. ALL LAMPS ARE G5-73 TYPE

REV.	DATE	BY	CHKD.	REVISIONS
E	1-11-77			CHANGE NO. 5411846-0001
D	3-2-77			5411846-C2022
F	3-10-77			5411846-C2022

DRN	275076	FIRST USED ON	
CHK'D	1-11-77	TITLE	FRONT PANEL
ENG	3-2-77	NUMBER	5411846-0-1
PROJ. ENG.	3-10-77	REV.	F
PROD.	3-2-77	SCALE	1 OF 1
NEXT HIGHER ASSY.		SHEET	1 OF 1

SIZE CODE D CS 5411846-01 REV. F

DIGITAL EQUIPMENT CORPORATION				QUANTITY / VARIATION										NOTES:			
PARTS LIST																	
MADE BY STEVE MARLOW		CHECKED PHYLLIS BURNELL															
DATE 7 APRIL 1976		DATE 10 January 1977															
ENG <i>Steve Marlow</i>		PROD <i>Phyllis Burnell</i>															
DATE 3-7-77		DATE 3/9/77															
ITEM NO.	DRAWING NO.	PART NO.	DESCRIPTION	5411846-0-0													REF DESIGNATION
1	D-MD-5011845-0-0	5011845	ETCH BOARD	1													
2		1209941-05	CONNECTOR, 10 PIN BERG	1													J1
3		1209941-04	CONNECTOR LATCH - LEFT	1													
4		1209941-03	CONNECTOR LATCH - RIGHT	1													
5		1212690-01	SWITCH, DRIVE SELECT	1													S3
6		1212691-00	SWITCH CAP, DRIVE SELECT UNIT 0	1													S3
7		1212714-05	SWITCH CAP, LOAD	1													S1
8		1212714-01	SWITCH CAP, WRITE PROTECT	1													S2
9		1212714-02	SWITCH CAP, FAULT	1													S4
10		1212715-01	INDICATOR, FAULT	1													S4
11		1212717-01	SWITCH, PB MAINTAINED	2													S1, S2
12		1212716-01	BULB, 14V	4													
13		1213188-01	SWITCH MOUNTING BRACKET, 4 POS.	1													
14		1300365	RESISTOR, 1K, 1/4W, 5%	1													R1
15		9006732	EYELET, GS4-7	2													
16		9107560-01	BUSS WIRE, JUMPER	2													W1, W2
17		9006655	WASHER	2													

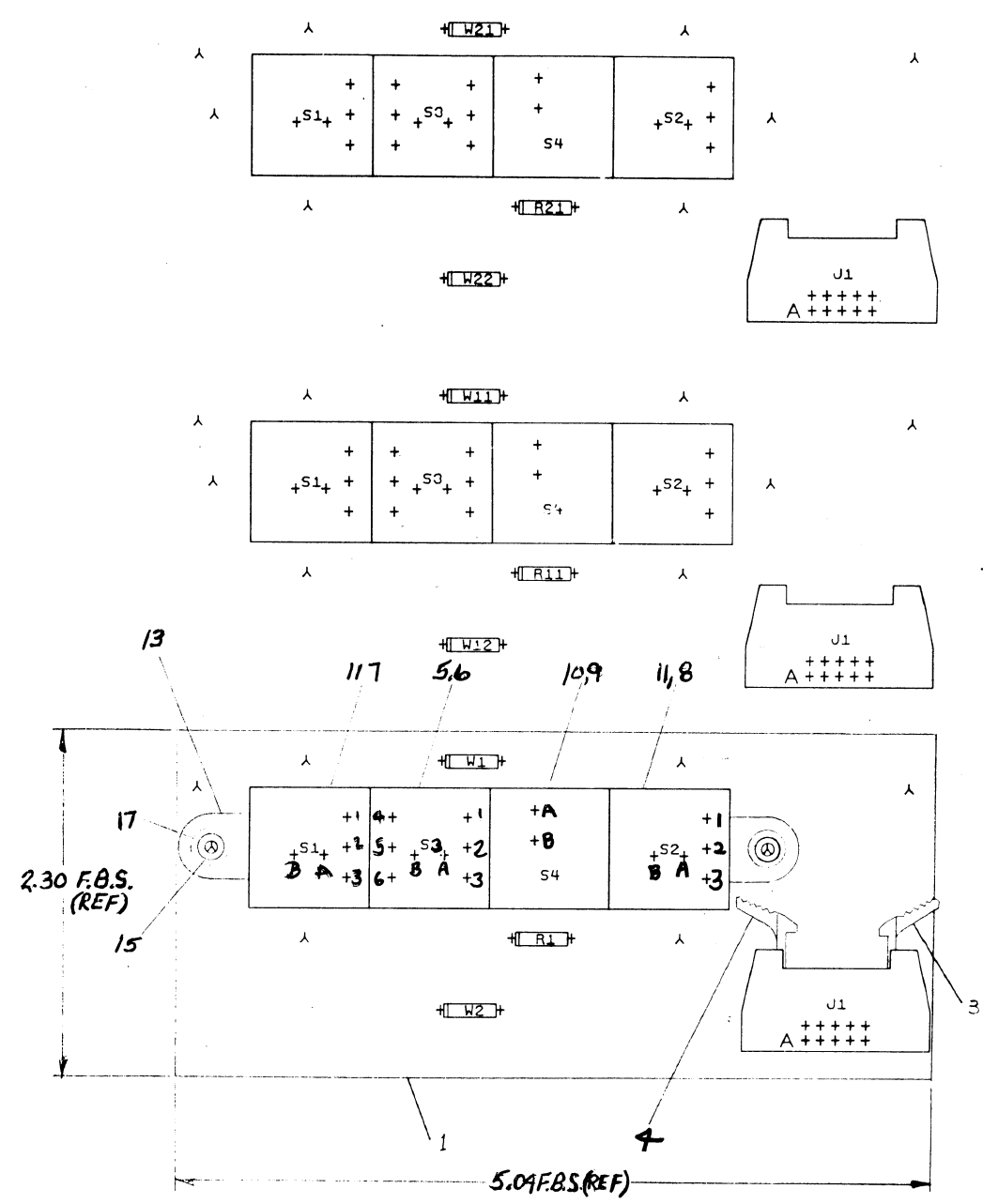
E.C.O. NO. *0001E*  
*Phyllis Burnell*  
 REIC HENBERG

THIS DRAWING AND SPECIFICATIONS, HEREIN, ARE THE PROPERTY OF DIGITAL EQUIPMENT CORPORATION AND SHALL NOT BE REPRODUCED OR COPIED OR USED IN WHOLE OR IN PART AS THE BASIS FOR THE MANUFACTURE OR SALE OF ITEMS WITHOUT WRITTEN PERMISSION. COPYRIGHT © 1977 . DIGITAL EQUIPMENT CORPORATION			TITLE FRONT PANEL	ASSY NO. D-UA-5411846-0-0	SIZE <b>B</b>	CODE <b>PL</b>	NUMBER 5411846-0-0	REV. <b>E</b>
				SHEET 1 OF 1	INSERTION PARTS LIST DATA BASE REV			

THIS DRAWING AND SPECIFICATIONS, MODELS, AND THE PROPERTY OF BENTON EQUIPMENT CORPORATION AND SHALL NOT BE REPRODUCED OR COPIED OR USED IN WHOLE OR IN PART AS THE BASIS FOR THE CONSTRUCTION OR SALE OF ITEMS WITHOUT WRITTEN PERMISSION.  
 © BENTON EQUIPMENT CORPORATION

1 2 | D/UA/5411846-0-0 | F

COMPONENT SIDE VIEW



NOTES:  
 1. ALL MANUFACTURING INFORMATION, DATE CODE, CIRCUIT SCHEMATIC, REV. QUALITY CONTROL STAMPS, ETC. ARE TO BE STAMPED ON ETCH SIDE (SIDE 2) OF MODULE.

CHANGE NO	REV	DATE	BY	CHKD	APP
00	1	11/27/76	B. REICHENBERG	G. CZORZE	
01	1	11/27/76	B. REICHENBERG	G. CZORZE	

ETCH REV. D	P.C. DESIGN DATA BASE REV. D
-------------	------------------------------

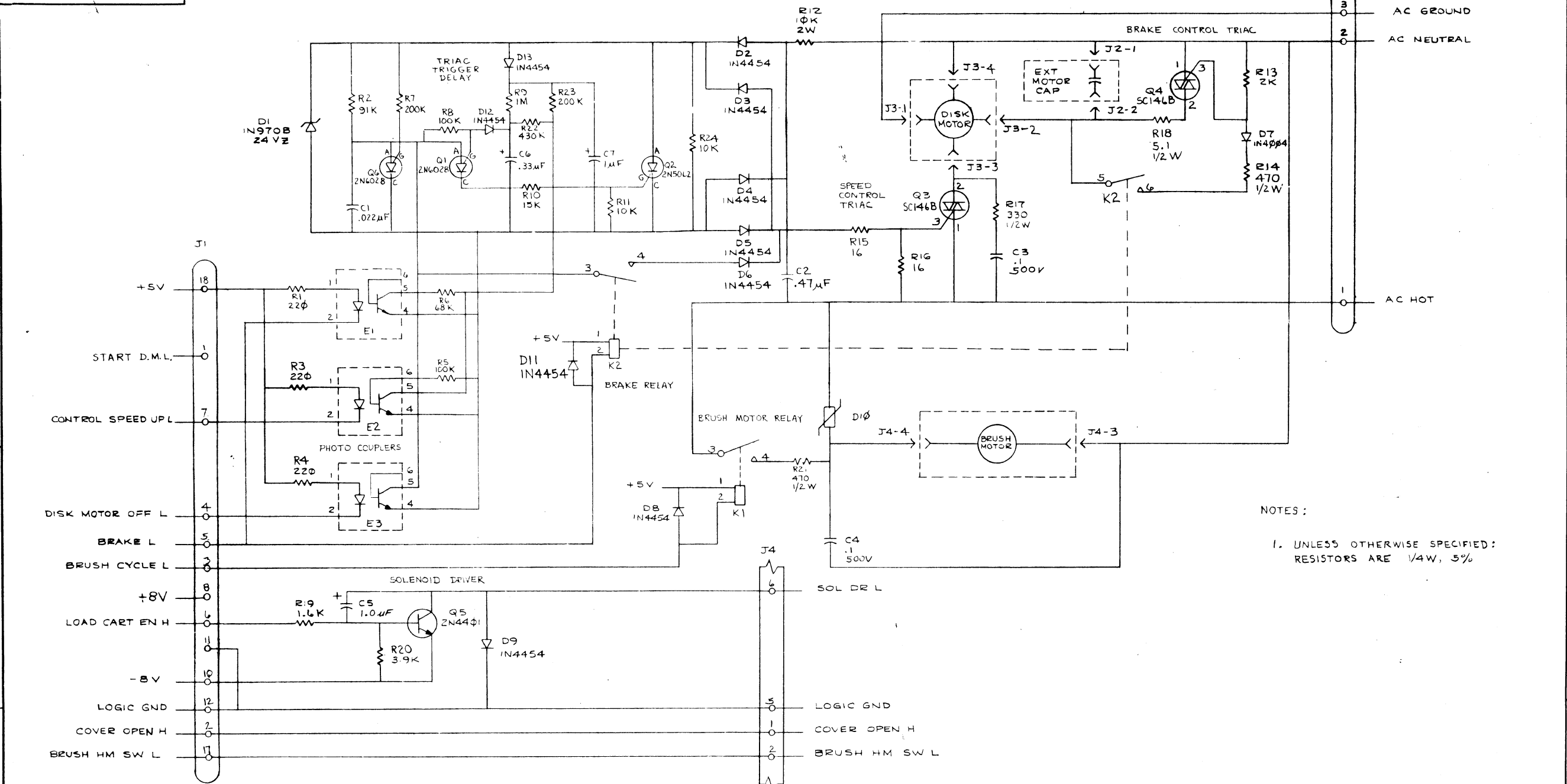
SIGNATURES	DATE
DRN. M. REICHENBERG	11/27/76
CHK'D. G. CZORZE	11/27/76
PROJ. ENG. J. A. [Signature]	3/7/77
PROD.	
SCALE 2/1	
SHT. 1 OF 2	
NEXT HIGHER ASSY. B DD 5411846-0	

TITLE	digital
TITLE	FRONT PANEL
SIZE CODE	D'UA
NUMBER	5411846-0-0
REV	F

D/UA/5411846-0-0 | F

1 MS#

THIS DRAWING AND SPECIFICATIONS HEREIN ARE THE PROPERTY OF DIGITAL EQUIPMENT CORPORATION AND SHALL NOT BE REPRODUCED OR COPIED OR USED IN WHOLE OR IN PART AS THE BASIS FOR THE MANUFACTURE OR SALE OF ITEMS WITHOUT WRITTEN PERMISSION. COPYRIGHT © 1976, DIGITAL EQUIPMENT CORPORATION



NOTES:  
1. UNLESS OTHERWISE SPECIFIED:  
RESISTORS ARE 1/4W, 5%

REV.	CHANGE NO.	DESCRIPTION
C	1	RELEASED AT REV. C EQUAL TO CI BUS FIELD SERVICE ANNO-TATION
D	2	PHYLIS BURNELL
E	3	G. BRUSHBERG

DRN. <i>[Signature]</i> 8/16/76	FIRST USED ON RLO1	<b>digital</b>
CHK'D <i>[Signature]</i> 1-14-77	TITLE AC SERVO	
ENG. <i>[Signature]</i> 2-8-77		
PROJ. ENG. <i>[Signature]</i> 6/7/77		
PROD. <i>[Signature]</i> 4/7/77		
NEXT HIGHER ASSY.		
D-UA-5411848-0-0	SIZE CODE	NUMBER
SCALE	D	CS 5411848-0-1
SHEET 1 OF 1	DIST.	REV. E

REV. E  
NUMBER 5411848-0-1  
D



DIGITAL EQUIPMENT CORPORATION

PARTS LIST

QUANTITY / VARIATION

NOTES:

USED ON OPTION/MODEL RL01

MADE BY H. RICHER	CHECKED PHYLLIS BURNELL	SECTION
DATE 23 March 1976	DATE 10 January 1977	
ENG PJB	PROD D. Le Sage 6/7/77	ISSUED SECTION
DATE 6/7/77		

5411848-0-0																				
-------------	--	--	--	--	--	--	--	--	--	--	--	--	--	--	--	--	--	--	--	--

REF DESIGNATION

ITEM NO.	DRAWING NO.	PART NO.	DESCRIPTION	QUANTITY	VARIATION	REF DESIGNATION
29		1314649-00	RESISTOR, 430K, 1/4W, 5%, CC	1		R22
30		1300296-00	RESISTOR 330OHM 1/2W 5% CC	1		R17
31		1302388-00	RESISTOR 2K 1/4W 5% CC	1		R13
32		13-09595-00	RESISTOR 1 M 1/4W 5% CC	1		R9
33		1303176-00	RESISTOR 1.6K 1/4W 5% CC	1		R19
34		1209941-03	LATCH, CONNECTOR, LEFT	1		J1
35		1209941-04	LATCH, CONNECTOR, RIGHT	1		J1
36		1510877-00	UJT, 2N6028	2		Q1, Q6
37		1110968-00	TRANSISTOR, 2N5062 (SCR)	1		Q2
38		1513698-00	TRANSISTOR, SC146B (TRIAC)	2		Q3, Q4
39		1513489-00	TRANSISTOR, 2N4401	1		Q5
40		9006557-00	KEPNUT #4-40	2		Q3, Q4
41		9006010-01	SCREW, PPH #4-40 X 5/16"	2		Q3, Q4
42		9006655-00	FLAT WASHER .312" O.D. X .125" I.D.	2		Q3, Q4
43						
44		1000002-04	CAPACITOR, .33uF, 35V, TANT	1		C6
45		1314650-00	RESISTOR, 91K, 1/4W 5% CC	1		R2

--	--	--	--	--	--	--	--	--	--	--	--	--	--	--	--	--	--	--	--	--

E.C.O. NO.

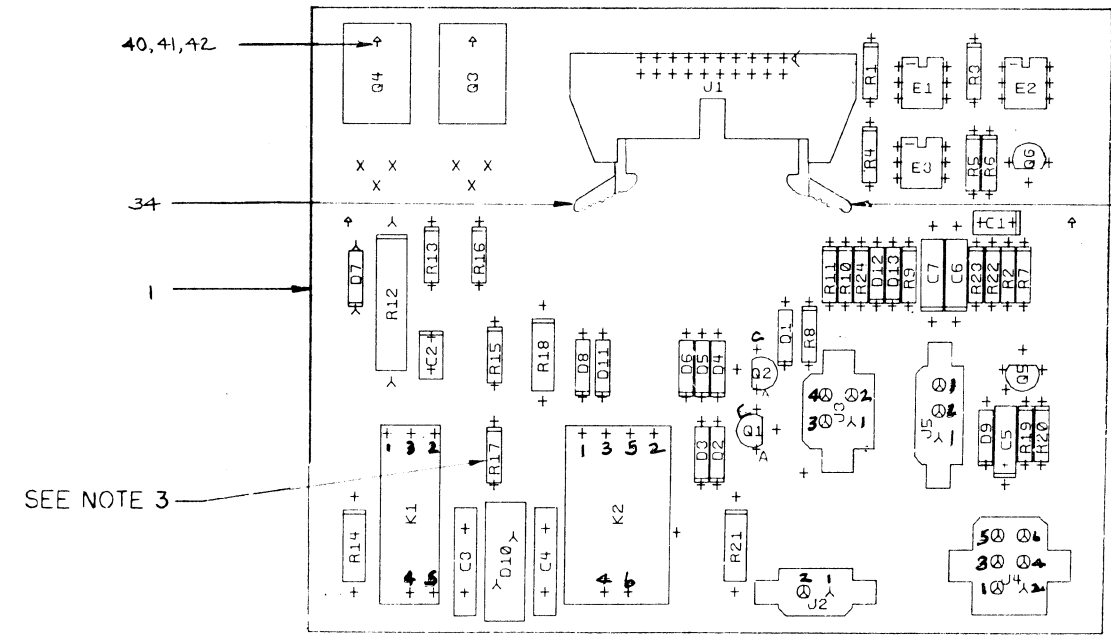
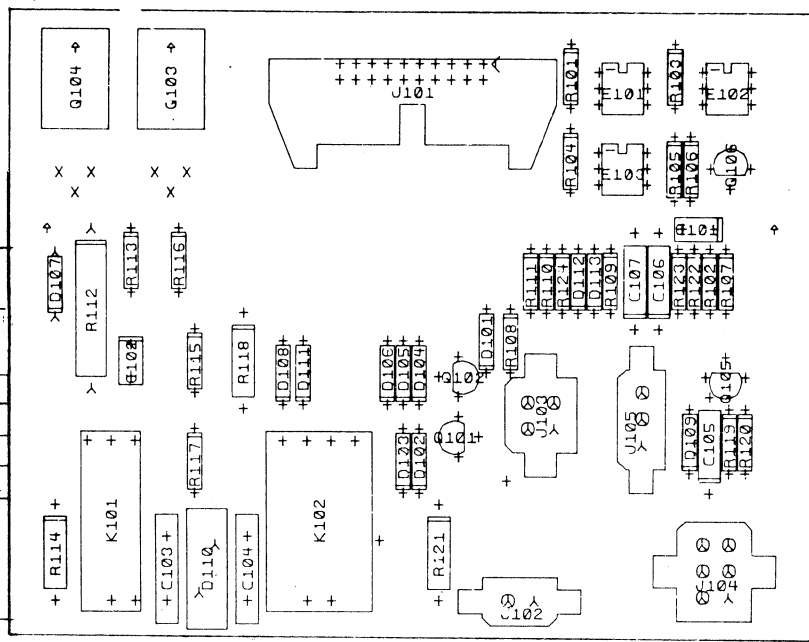
THIS DRAWING AND SPECIFICATIONS. HEREIN. ARE THE PROPERTY OF DIGITAL EQUIPMENT CORPORATION AND SHALL NOT BE REPRODUCED OR COPIED OR USED IN WHOLE OR IN PART AS THE BASIS FOR THE MANUFACTURE OR SALE OF ITEMS WITHOUT WRITTEN PERMISSION. COPYRIGHT © 1977 DIGITAL EQUIPMENT CORPORATION	TITLE	ASSY NO.	SIZE	CODE	NUMBER	REV.
	AC SERVO	D-UA-5411848-0-0	3	PL	5411848-0-0	E
SHEET 2 OF 2			INSERTION PARTS LIST DATA BASE REV			



THIS DRAWING AND SPECIFICATIONS, HEREIN, ARE THE PROPERTY OF DIGITAL EQUIPMENT CORPORATION AND SHALL NOT BE REPRODUCED OR COPIED OR USED IN WHOLE OR IN PART AS THE BASIS FOR THE MANUFACTURE OR SALE OF PRODUCTS WITHOUT WRITTEN PERMISSION.

COMPONENT SIDE VIEW

ACTUAL REF DESIGNATOR	SUPERFICIAL REF DESIGNATORS
C1,C2,C3,C4,C5,C6,C7	C101,C102,C103,C104,C105,C106,C107
D1,D2,D3,D4,D5,D6,D7,D8,D9,D10 D11,D12,D13	D101,D102,D103,D104,D105,D106,D107,D108,D109,D110,D111,D112, D113
E1,E2,E3	E101,E102,E103
K1,K2,K3	K101,K102,K103
J1,J2,J3,J4,J5	J101,J102,J103,J104,J105
Q1,Q2,Q3,Q4,Q5,Q6	Q101,Q102,Q103,Q104,Q105,Q106
R1,R2,R3,R4,R5,R6,R7,R8,R9,R10 R11,R12,R13,R14,R15,R16,R17,R18,R19, R20,R21,R22	R101,R102,R103,R104,R105,R106,R107,R108,R109,R110,R111,R112, R113,R114,R115,R116,R117,R118,R119,R120,R121,R122



SEE NOTE 3

- NOTES:
- B HOLES .0455 (+.000-.0045) MAYNARD ONLY
  - UL APPROVAL REQUIRED
  - REWORK INSTRUCTIONS:
    - REMOVE R17 (330R, 1/4W, 5%)
    - INSTALL R17 (330R, 1/2W, 5%)

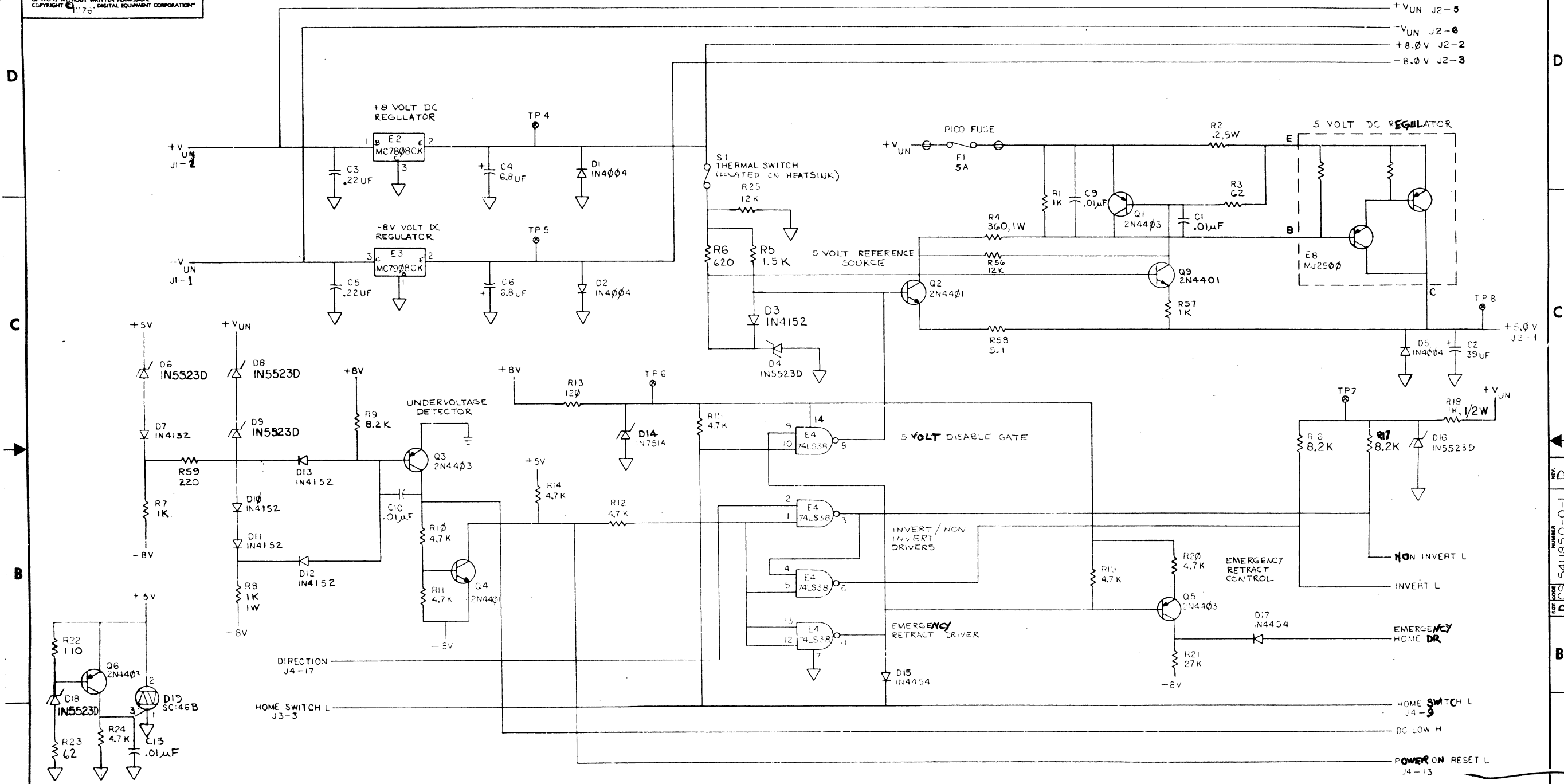
CHK	CHANGE NO	REV	DATE	BY	APP	REASON
23	141848-0041	D		P. BURNELL		
		E		P. BURNELL		

ETCH REV.	E-P2
P.C. DESIGN DATA BASE REV.	E-P2

SIGNATURES		DATE	digital
DRN.			
CHK'D.			TITLE AC SERVO
ENG.			
PROJ. ENG.			
PROD.			
SCALE 27			SIZE CODE
SHT. 1 OF 3			NUMBER
NEXT HIGHER ASSY. 6-DD-5411848-0			REV

1 MS#260285

THIS DRAWING AND SPECIFICATIONS, HEREIN, ARE THE PROPERTY OF DIGITAL EQUIPMENT CORPORATION AND SHALL NOT BE REPRODUCED OR COPIED OR USED IN WHOLE OR IN PART AS THE BASIS FOR THE MANUFACTURE OR SALE OF ITEMS WITHOUT WRITTEN PERMISSION. COPYRIGHT © 1976, DIGITAL EQUIPMENT CORPORATION.

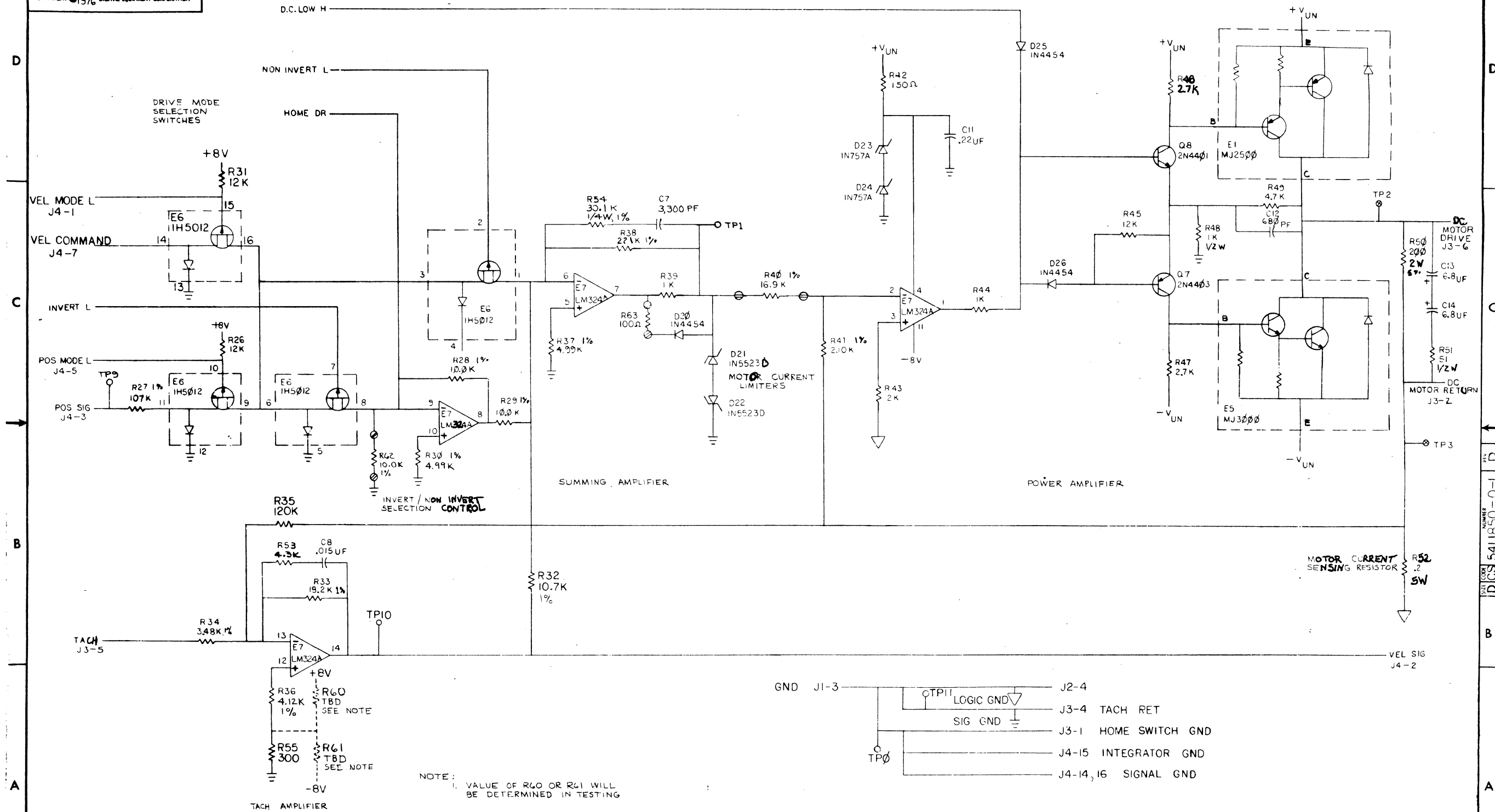


NOTES:  
 1. ALL RESISTORS TO BE 1/4-W 5% UNLESS OTHERWISE SPECIFIED

DRN. <i>DeJ...</i>	DATE	FIRST USED ON	DIGITAL
CHK'D <i>Burnell</i>	6-1-77	TITLE	
ENG. <i>Rican</i>	6-7-77	DC SERVO AND POWER BOARD	
PROJ ENG <i>WAL</i>	6/1/77		
PROD <i>W. S. ...</i>	6/7/77		
NEXT HIGHER ASSY.			
D-UA-5411850-0-0	SIZE CODE	NUMBER	REV.
SCALE	D	CS 5411850-0-1	D
SHEET 1 OF 2	DIST.		

REV.	BY	DATE	DESCRIPTION
1	B		
2	B		
3	B		
4	B		
5	B		
6	B		
7	B		
8	B		

THIS DRAWING AND SPECIFICATIONS HEREIN ARE THE PROPERTY OF DIGITAL EQUIPMENT CORPORATION AND SHALL NOT BE REPRODUCED OR COPIED OR USED IN WHOLE OR IN PART AT THE BUSH FOR THE MANUFACTURE OR SALE OF ITEMS WITHOUT WRITTEN PERMISSION. COPYRIGHT © 1976 DIGITAL EQUIPMENT CORPORATION

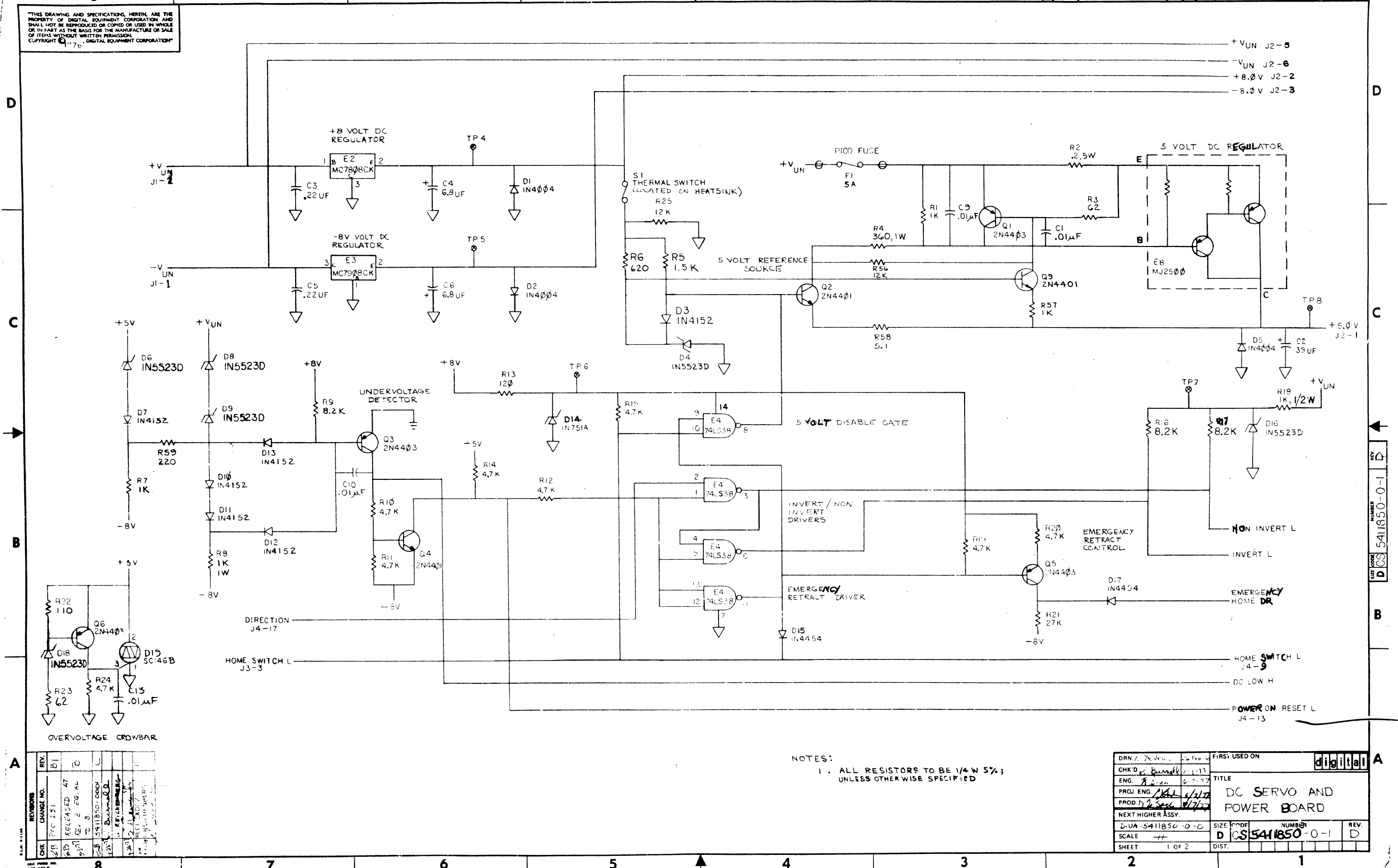


NOTE: 1. VALUE OF R60 OR R61 WILL BE DETERMINED IN TESTING

REVISIONS		
CHK	CHANGE NO	REV

TITLE	DC SERVO AND POWER SUPPLY	SIZE CODE	DCS 541850-0-1	NUMBER	2	REV	1
SCALE	1:1	SHEET	2 OF 2	DIST.			

THIS DRAWING AND SPECIFICATIONS, HEREIN, ARE THE PROPERTY OF DIGITAL EQUIPMENT CORPORATION AND SHALL NOT BE REPRODUCED OR COPIED OR USED IN WHOLE OR IN PART AS THE BASIS FOR THE MANUFACTURE OR SALE OF ITEMS WITHOUT WRITTEN PERMISSION. COPYRIGHT © 1976, DIGITAL EQUIPMENT CORPORATION.

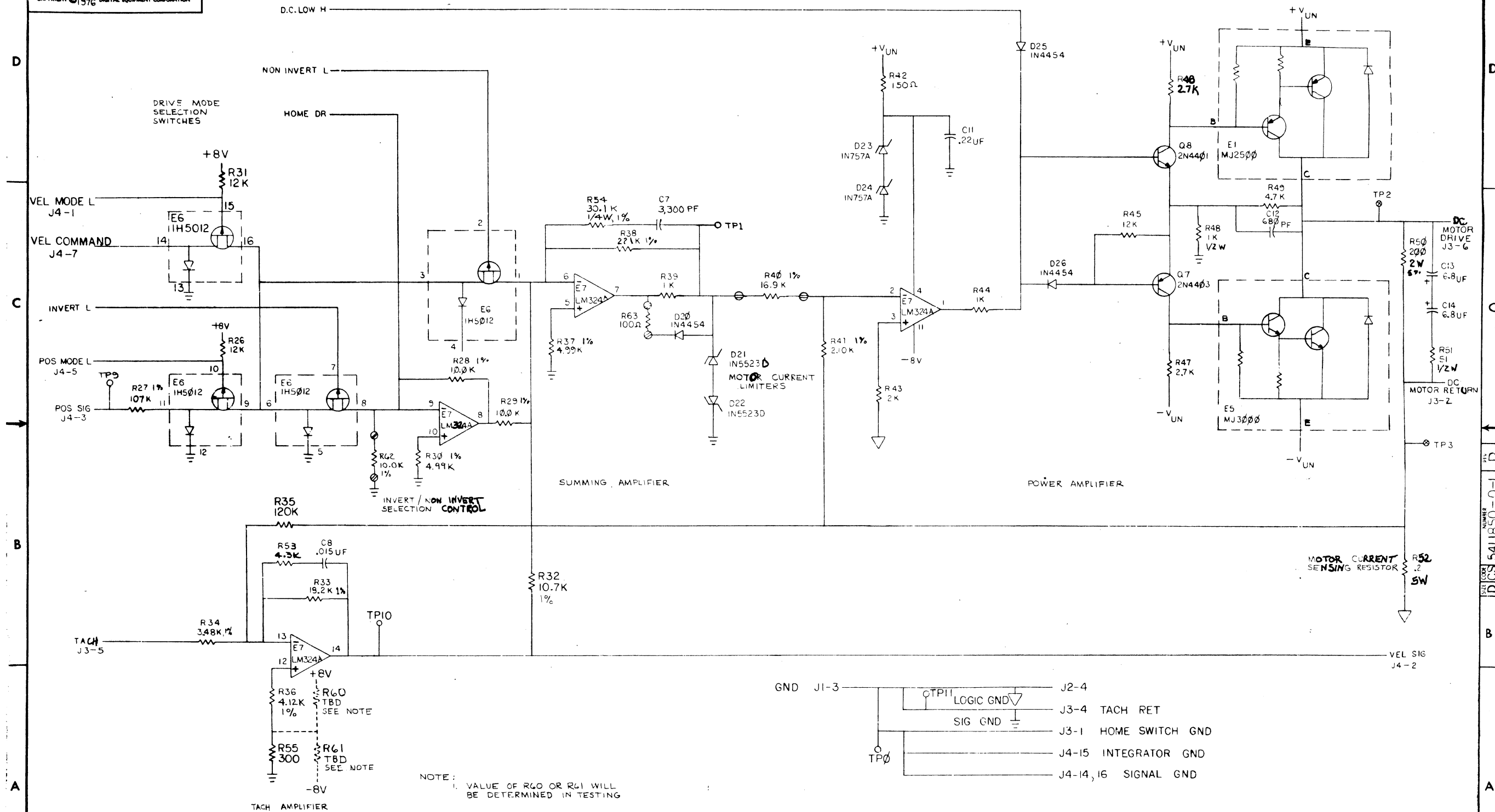


NOTES:  
 1. ALL RESISTORS TO BE 1/4 W 5% ;  
 UNLESS OTHERWISE SPECIFIED

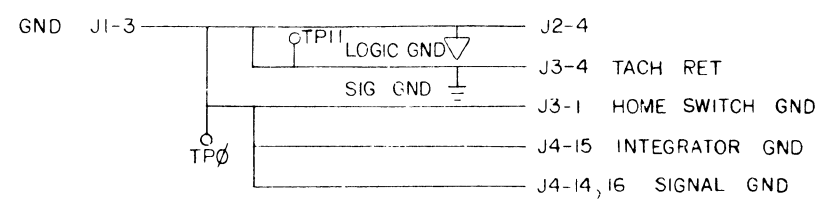
REV.	DATE	BY	CHKD.
B1			
A1			

DRN. <i>[Signature]</i>	DATE <i>[Date]</i>	FIRST USED ON	<b>digital</b>
CHKD. <i>[Signature]</i>	DATE <i>[Date]</i>	TITLE	DC SERVO AND POWER BOARD
ENG. <i>[Signature]</i>	DATE <i>[Date]</i>	SCALE	D
PROJ. ENG. <i>[Signature]</i>	DATE <i>[Date]</i>	SIZE	D
NEXT HIGHER ASSY.		NUMBER	CS 5411850-0-1
2-UA-5411850-0-0		REV.	D
SHEET 1 OF 2		DIST.	

THIS DRAWING AND SPECIFICATIONS HEREIN ARE THE PROPERTY OF DIGITAL EQUIPMENT CORPORATION AND SHALL NOT BE REPRODUCED OR COPIED OR USED IN WHOLE OR IN PART AS THE BASIS FOR THE MANUFACTURE OR SALE OF ITEMS WITHOUT WRITTEN PERMISSION. COPYRIGHT © 1976 DIGITAL EQUIPMENT CORPORATION



NOTE: 1. VALUE OF R60 OR R61 WILL BE DETERMINED IN TESTING

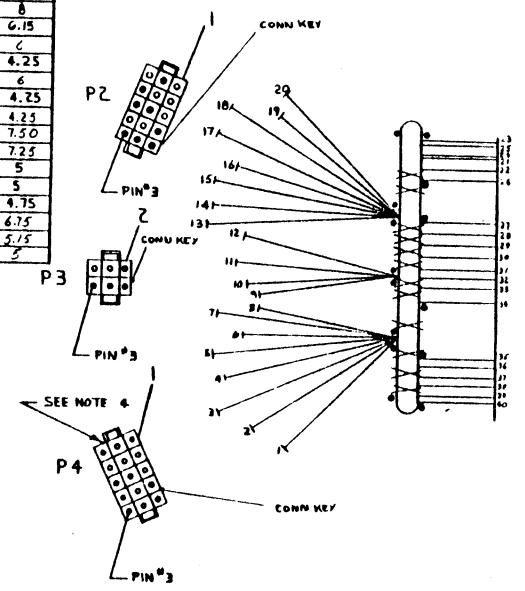


REVISIONS		
CHK	CHANGE NO.	REV.

TITLE	DC SERVO AND POWER SUPPLY	SIZE/CODE	DCS 541850-0-1	NUMBER	2	REV. 1	D
SCALE	1:1	SHEET	2 OF 2	DIST.			

THESE DRAWINGS AND SPECIFICATIONS SHALL BE THE PROPERTY OF THE U.S. GOVERNMENT AND ARE TO BE USED IN CONNECTION WITH THE MANUFACTURE OF THIS PRODUCT ONLY. THE U.S. GOVERNMENT ASSUMES NO LIABILITY FOR THE USE OF THIS DRAWING FOR ANY OTHER PURPOSE.

WIRING TABLE									
ITEM NO.	AWG	COLOR	FROM			TO		SIGNAL	LENGTH
			POINT	CONNECTION	WITH	POINT	CONNECTION		
4	#18	BLUE	1	P4-13	3	26	SOLDER	-15V	7
5	14	RED	2	P4-4		31		+5V	5
5	14	RED	3	P4-1		38		+5V	5
6	14	BLK	4	P4-8		31		GND	7.75
7	14	ORN	5	P4-5		35		+20V	5
8	14	BLK	6	P4-9		22		GND	8
13	18	WHT	7	P4-6		28		+5B	6.15
14	18	CRN	8	P4-15		29		-15B	C
12	18	VEL	9	P3-4		33		ACLO	4.25
6	14	BLK	10	P3-1		23		GND	4
10	18	BRN	11	P3-2		34		LTC	4.25
11	18	VIO	12	P3-3		32		DCLO	4.25
5	14	RED	13	P2-4		39		+5V	7.50
5	14	RED	14	P2-1		40		+5V	7.25
10	18	BRN	15	P2-14		31		-5V	5
6	14	BLK	16	P2-8		24		GND	5
8	18	GREY	17	P2-2		27		+15	4.75
7	14	ORN	18	P2-3		30		+20	6.75
6	14	BLK	19	P2-9		25		GND	5.75
5	14	RED	20	P2-12	3	30	SOLDER	+5B	5



- NOTES:
1. USE TIE WRAPS (X) ITEMS AT BREAK OUT POINTS SHOWN.
  2. DOT (•) INDICATES NAIL LOCATION FOR ASSY. USE ONLY. COVER NAILS WITH SHINK TO PREVENT CUTTING HARNESS.
  3. WIRE LENGTH TOLERANCES WILL BE  $\pm 0$  INCHES.
  4. ALL CONN. SHOWN FROM WIRING SIDE.

DO NOT REDUCE SCALE  
 0 IN 4 IN 12 IN  
 FOR MANUFACTURING PURPOSES ONLY

FOR WIRE LENGTHS SEE WIRING TABLE

1	POWER HARNESS DECALS	7409812-2-0	15
1/A	WIRE #18 AWG, GRN	9107360-55	14
1/B	WIRE #18 AWG, WHT	9107360-99	13
1/C	WIRE #18 AWG, VEL	9107360-44	12
1/D	WIRE #18 AWG, VIO	9107360-77	11
1/E	WIRE #18 AWG, BRN	9107360-11	10
1/F	WIRE #18 AWG, BLUE	9107360-66	9
1/G	WIRE #18 AWG, GREY	9107360-88	8
1/H	WIRE #14 AWG, ORN	9107370-33	7
1/I	WIRE #14 AWG, BLK	9107370-00	6
1/J	WIRE #14 AWG, RED	9107370-22	5
12	TIE WRAP	30070-31	4
20	PIN NAIL	1209378-01	3
1	CONN. 6 PIN HOUSING	1209351-06	2
2	CONN. 15 PIN HOUSING	1209351-15	1

DESCRIPTION		DWG PART NO.		ITEM NO.
UNLESS OTHERWISE SPECIFIED DIMENSIONS ARE IN INCHES				
DATE	REV	BY	CHKD	APP'D
10/1/71	1	W. J. [Signature]	[Signature]	[Signature]
QUANTITY & VARIATION	DESCRIPTION	DATE	BY	CHKD
1	POWER HARNESS (BAIK, BAIL)	10/1/71	W. J. [Signature]	[Signature]
MATERIAL		SCALE	1/1	
SEE PARTS LIST		SCALE	1/1	
FIRST USED ON		DD11-D		



DIGITAL EQUIPMENT CORPORATION

PARTS LIST

QUANTITY / VARIATION

NOTES:

MADE BY SCOTT STEVENS	CHECKED <i>y Bunnell</i>	SECTION
DATE 10 Jun 77	DATE 2-9-77	
ENG <i>J.R.</i>	PROD <i>D</i>	ISSUED SECTION
DATE 6/7/77	DATE 6-7-77	

ITEM NO.	DRAWING NO.	PART NO.	DESCRIPTION	5411850-0-0															REF DESIGNATION
29		1314763-00	RESISTOR, 4.12K, 1/4 W 1% MF	1															R36
30		1303312-00	RESISTOR, 10.0K, 1/4 W 1% MF	3															R28, R29, R62
31		1312924-00	RESISTOR, 10.7K, 1/4 W 1% MF	1															R32
32		1309412-00	RESISTOR, 18.2K, 1/4 W 1% MF	1															R33
33		1311594-00	RESISTOR, 30.1K, 1/4 W 1% MF	1															R54
34		1313843-00	RESISTOR, 107K, 1/4 W 1% MF	1															R27
35		1313844-00	RESISTOR, 221K, 1/4 W 1% MF	1															R38
36		1302378-00	RESISTOR, 51 OHM, 1/2 W 5% CC	1															R51
37		1300364-00	RESISTOR, 1K, 1/2 W 5% CC	2															R18, R43
38		1314068-00	RESISTOR, 360 OHM, 1 W 5% CC	1															R4
39		1300368-00	RESISTOR, 1K, 1 W 5% CC	1															R8
40		1301494-00	RESISTOR, 200 OHM, 2 W 5% CC	1															R50
41		1313358-00	RESISTOR, .2 OHM, 5 W 3% CC	2															R2, R52
42		1105796-00	DIODE, 1N4004, (D041)	3															D1, D2, D5
43		1113953-00	DIODE, 1N5523D, (D07)	8															D4, D6, D8, D9, D13, D16, D21, D22
44		1109990-00	DIODE, 1N757A, (D07)	2															D23, D24
45		1110994-00	DIODE, 1N751A, (D07)	1															D14
46		1114117-00	DIODE, 1N4152, (D035)	6															D3, D7, D10, D11, D12, D13
47		1111577-00	DIODE, 1N4454, (D035)	5															D15, D17, D20, D25, D26
48		1513698-00	TRIAC, SC146B	1															D19
49		9009597-00	INSULATING WASHER, TRIAC	1															(D19)
50		1513489-00	TRANSISTOR, 2N4401, (T092)	4															Q2, Q4, Q8, Q9
51		1513490-00	TRANSISTOR, 2N4403, (T092)	5															Q1, Q3, Q5, Q6, Q7
52		1511282-00	TRANSISTOR, MJ2500, (T03)	2															E1, E8
53		1511349-00	TRANSISTOR, MJ3000, (T03)	1															E5
54		1911706-00	FET ANALOG SWITCH, IH5012, (16 PIN)	1															E6
55		1912818-00	IC, DEC, 74LS38, (14 PIN)	1															E4
56		1912107-01	OP AMP, LM324 AN (14 PIN)	1															E7

E.C.O. NO.

THIS DRAWING AND SPECIFICATIONS, HEREIN, ARE THE PROPERTY OF DIGITAL EQUIPMENT CORPORATION AND SHALL NOT BE REPRODUCED OR COPIED OR USED IN WHOLE OR IN PART AS THE BASIS FOR THE MANUFACTURE OR SALE OF ITEMS WITHOUT WRITTEN PERMISSION. COPYRIGHT © 1977 DIGITAL EQUIPMENT CORPORATION	TITLE	ASSY NO.	SIZE	CODE	NUMBER	REV.
	DC SERVO AND POWER BOARD	D-UA-5411850-0-0	B	PL	5411850-0-0	D
SHEET 2 OF 3			INSERTION PARTS LIST DATA BASE REV			



DIGITAL EQUIPMENT CORPORATION

PARTS LIST

QUANTITY / VARIATION

NOTES:

MADE BY SCOTT STEVENS	CHECKED <i>C. Y. Burnell</i>	SECTION
DATE 10 Jun 76	DATE 2-9-77	
ENG <i>J. B. ...</i>	PROD <i>D. Kaye</i>	ISSUED SECTION
DATE 6/7/77	DATE 6-7-77	

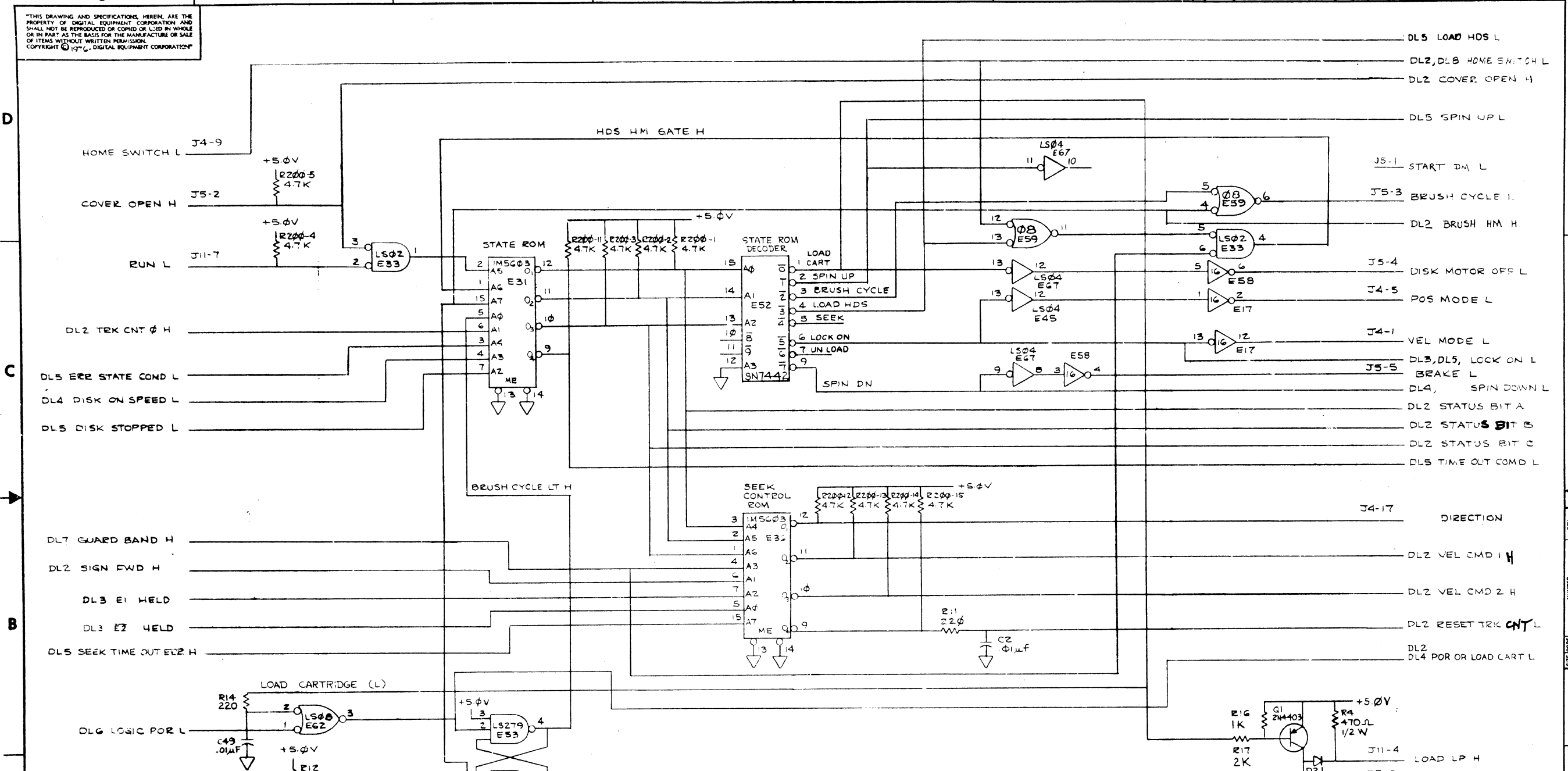
ITEM NO.	DRAWING NO.	PART NO.	DESCRIPTION	QUANTITY / VARIATION										REF DESIGNATION	
				5411850-0-0											
57		1913695-00	IC, MC7808CK, (T03)	1											E2
58		1913694-00	IC, MC7908CK, (T03)	1											E3
59		9008419-00	INSULATING WASHER, T03	5											(E1, E2, E3, E5, E8)
60		7418595-00	HEATSINK	1											
61															
62		9008033-01	SCREW, PAN. HD. #4-40, 9/16"	11											(E1, E2, E3, E5, E8, D19)
63		9006557-00	KEPNUT, #4-40	11											(E1, E2, E3, E5, E8, D19)
64		9006655-00	FLAT WASHER, #4	11											(E1, E2, E3, E5, E8, D19)
65		9008268-00	THERMAL COMPOUND	AR											(E1, E2, E3, E5, E8, D19)
66		1210824-00	SWITCH, THERMAL	1											S1
67		9008185-00	KEPNUT, #6-32	1											(S1)
68		9006653-00	FLAT WASHER, #6	1											(S1)
69		1205747-00	FUSE, PICO, 5 AMP	1											F1
70		9006735-00	SPLIT LUG	2											(F1, R40, R62, R63)
71		9007791-00	TERMINAL TURRET, SOLDER	12											TP0 THRU TP11
72		1213922-01	CONNECTOR, AMP, 3 PIN, BLK/TIN	1											J1
73		1213922-04	CONNECTOR, AMP, 6 PIN, BLK/TIN	1											J2
74		1213900-00	CONNECTOR, BURNDY, 6 PIN, BLK/GOLD	1											J3
75		1209941-06	CONNECTOR, BERG, 20 PIN	1											J4
76		1209941-03	LATCH, RIGHT	1											(J4)
77		1209941-04	LATCH, LEFT	1											(J4)
78		1305324-00	RESISTOR, 4.99K, 1/4 W 1% mf	2											R37, R30
79		1300250-00	RESISTOR, 150 OHM, 1/4 W 5% CC	1											R42
80		9105740-55	WIRE 30 AWG	AR											
81		1312618-00	RESISTOR, 16.9K, 1/4W, 1%	1											R40
82		1300229-00	RESISTOR, 100Ω, 1/4W, 5%	1											R63

E.C.O. NO.

THIS DRAWING AND SPECIFICATIONS. HEREIN ARE THE PROPERTY OF DIGITAL EQUIPMENT CORPORATION AND SHALL NOT BE REPRODUCED OR COPIED OR USED IN WHOLE OR IN PART AS THE BASIS FOR THE MANUFACTURE OR SALE OF ITEMS WITHOUT WRITTEN PERMISSION. COPYRIGHT ©1977 DIGITAL EQUIPMENT CORPORATION	TITLE	ASSY NO.	SIZE	CODE	NUMBER	REV.
	DC SERVO AND POWER BOARD	D-UA-5411850-0-0	B	PL	5411850-0-0	1
SHEET 3 OF 3			INSERTION PARTS LIST DATA BASE REV			



THIS DRAWING AND SPECIFICATIONS HEREIN ARE THE PROPERTY OF DIGITAL EQUIPMENT CORPORATION AND SHALL NOT BE REPRODUCED OR COPIED OR USED IN WHOLE OR IN PART AS THE BASIS FOR THE MANUFACTURE OR SALE OF ITEMS WITHOUT WRITTEN PERMISSION. COPYRIGHT © 1976, DIGITAL EQUIPMENT CORPORATION



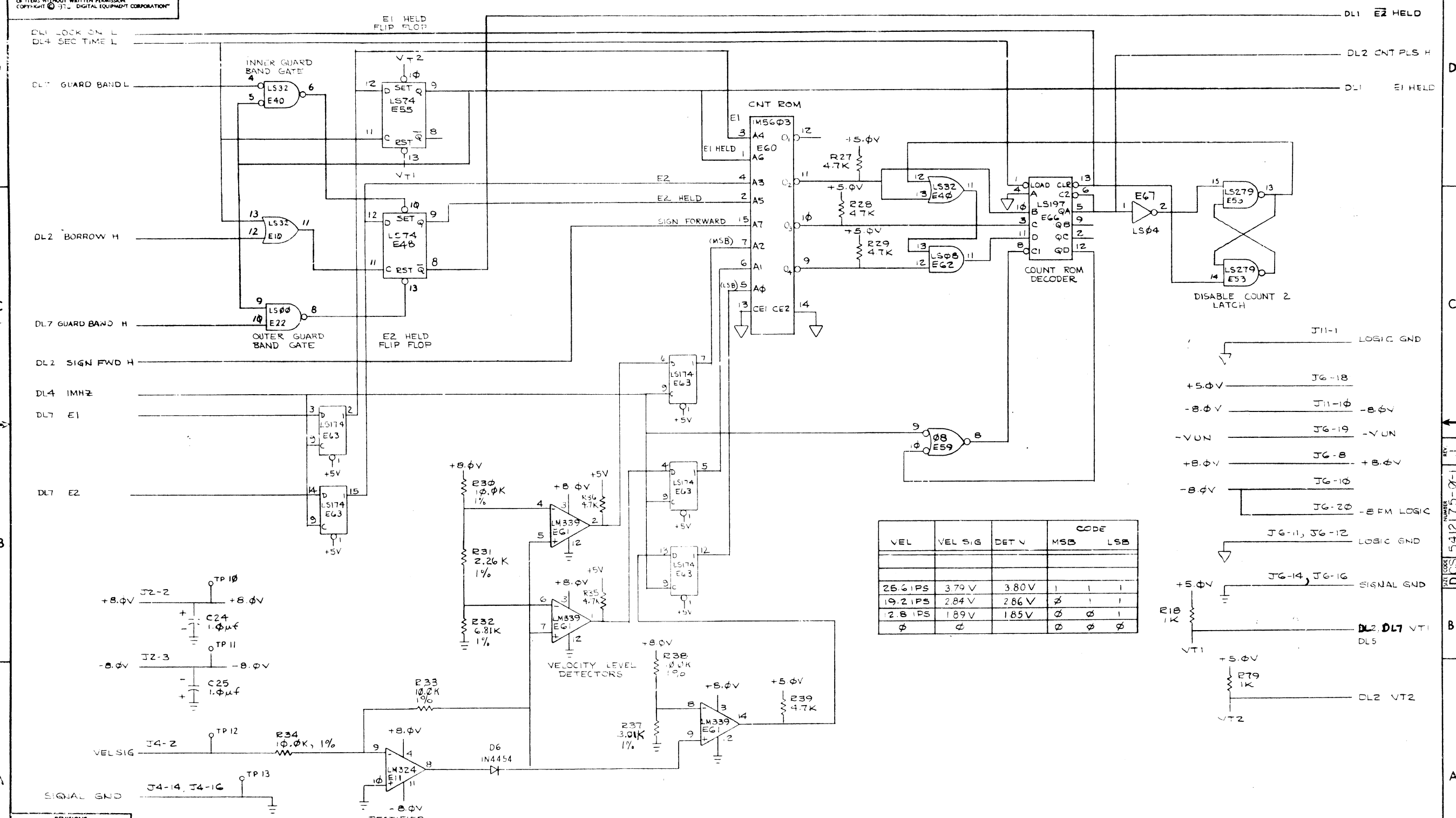
IC	Pin	+5V	-5V	+8V	-8V
75107B-00	7	14	13		
75113, 7442, 15123, LS174, LS193, LS195, LS279, E31, E36, E63	8	16			
324				4	11
E43 (ROM)	8	16			
UNSPECIFIED	7	14			
E8 (339)	12			3	
E34 (339)				3	12
E61 (339)	12			3	

REV.	CHANGE NO.	BY	DATE
1	RELEASED	C2	
2	REVISED	C2	
3	REVISED	C2	
4	REVISED	C2	
5	REVISED	C2	
6	REVISED	C2	
7	REVISED	C2	
8	REVISED	C2	

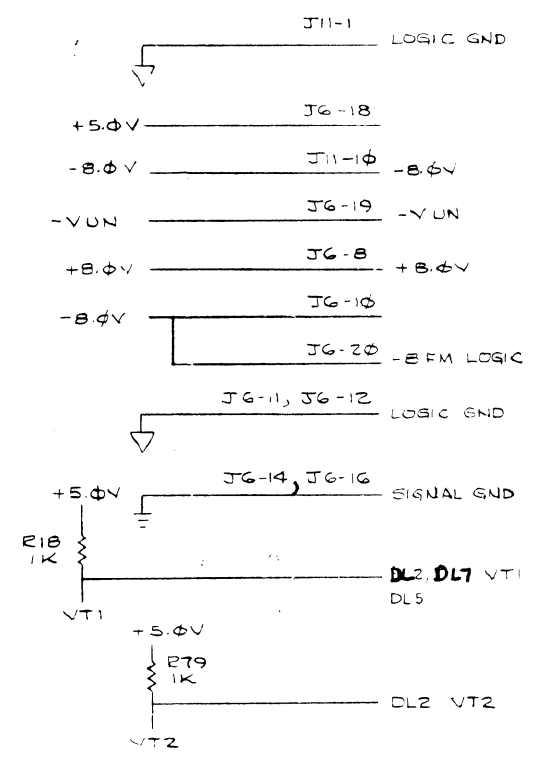
DRN. REWARD DATE: 4-76	FIRST USED ON: RLO1
CHK'D BY: [Signature]	TITLE: DRIVE LOGIC (STATE CONTROL LOGIC) (DLI)
ENG. BY: [Signature]	PROJ. ENG. BY: [Signature]
PROD. BY: [Signature]	NEXT HIGHER ASSY.:
SCALE: 1 OF 8	SHEET: 1 OF 8
DIST.:	SIZE CODE: DCS
	NUMBER: 5412175-0-1
	REV.:



THIS DRAWING AND SPECIFICATIONS HEREIN ARE THE PROPERTY OF DIGITAL EQUIPMENT CORPORATION AND SHALL NOT BE REPRODUCED OR COPIED OR USED IN WHOLE OR IN PART AS THE BASIS FOR THE MANUFACTURE OR SALE OF ITEMS WITHOUT WRITTEN PERMISSION. COPYRIGHT © 1971 DIGITAL EQUIPMENT CORPORATION



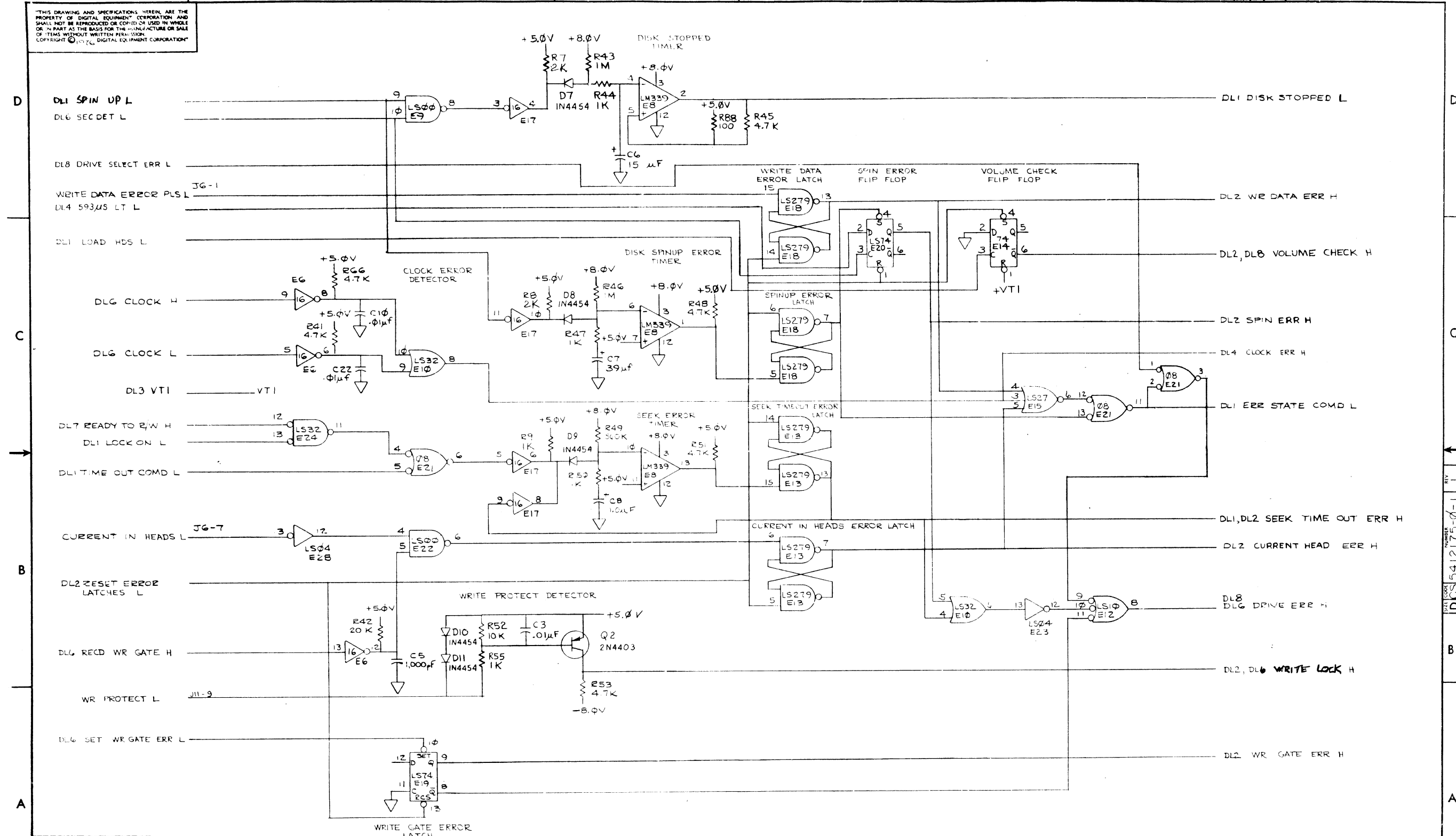
VEL	VEL SIG	DET V	CODE	
			MSB	LSB
26.6 IPS	3.79 V	3.80 V	1	1
19.2 IPS	2.84 V	2.86 V	0	1
2.8 IPS	1.89 V	1.85 V	0	0
0	0	0	0	0



REVISIONS		
CHK	CHANGE NO	REV.

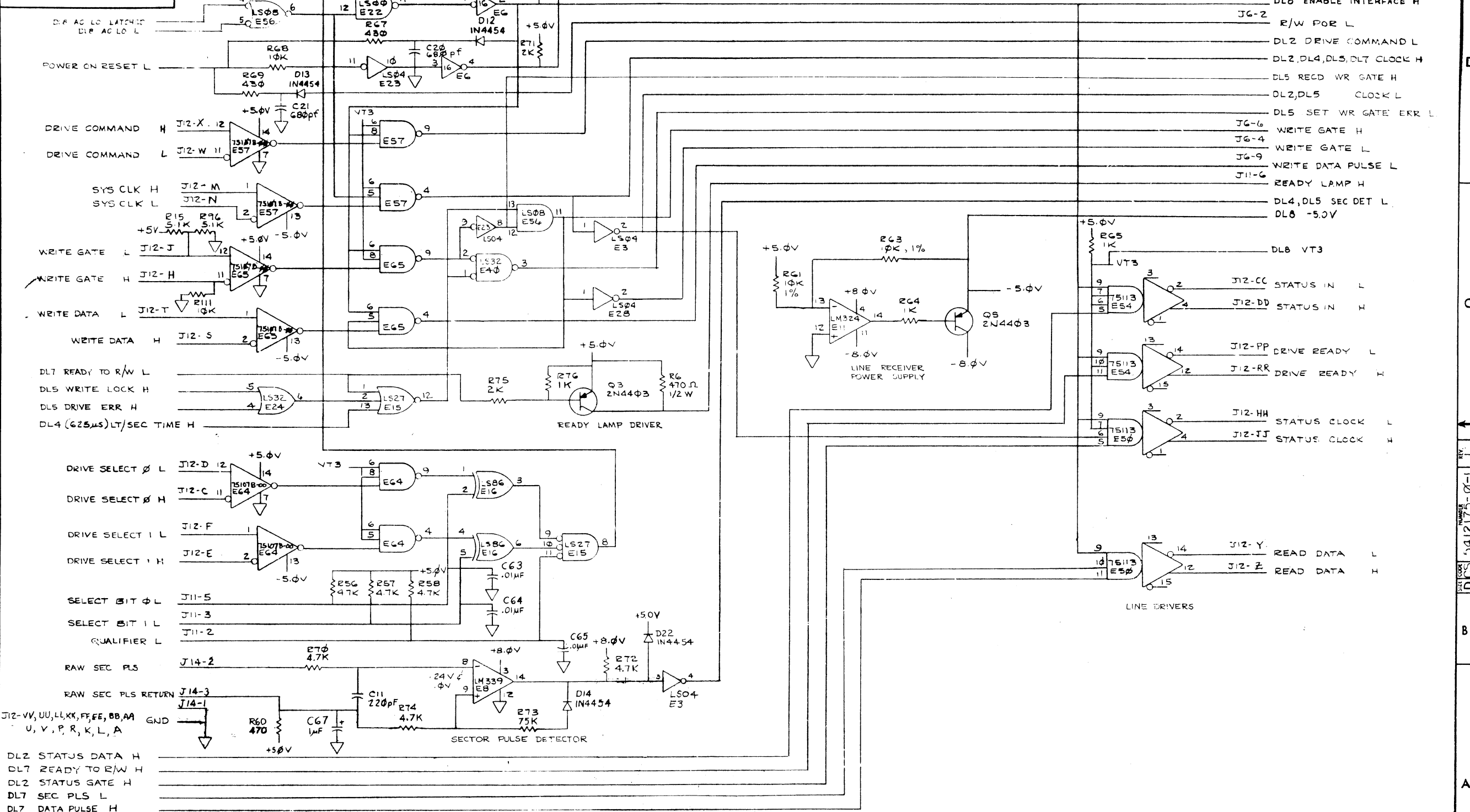


"THIS DRAWING AND SPECIFICATIONS HEREIN ARE THE PROPERTY OF DIGITAL EQUIPMENT CORPORATION AND SHALL NOT BE REPRODUCED OR COPIED OR USED IN WHOLE OR IN PART AS THE BASIS FOR THE MANUFACTURE OR SALE OF ITEMS WITHOUT WRITTEN PERMISSION. COPYRIGHT © 1976 DIGITAL EQUIPMENT CORPORATION"



REVISIONS		
CHK	CHANGE NO.	REV.

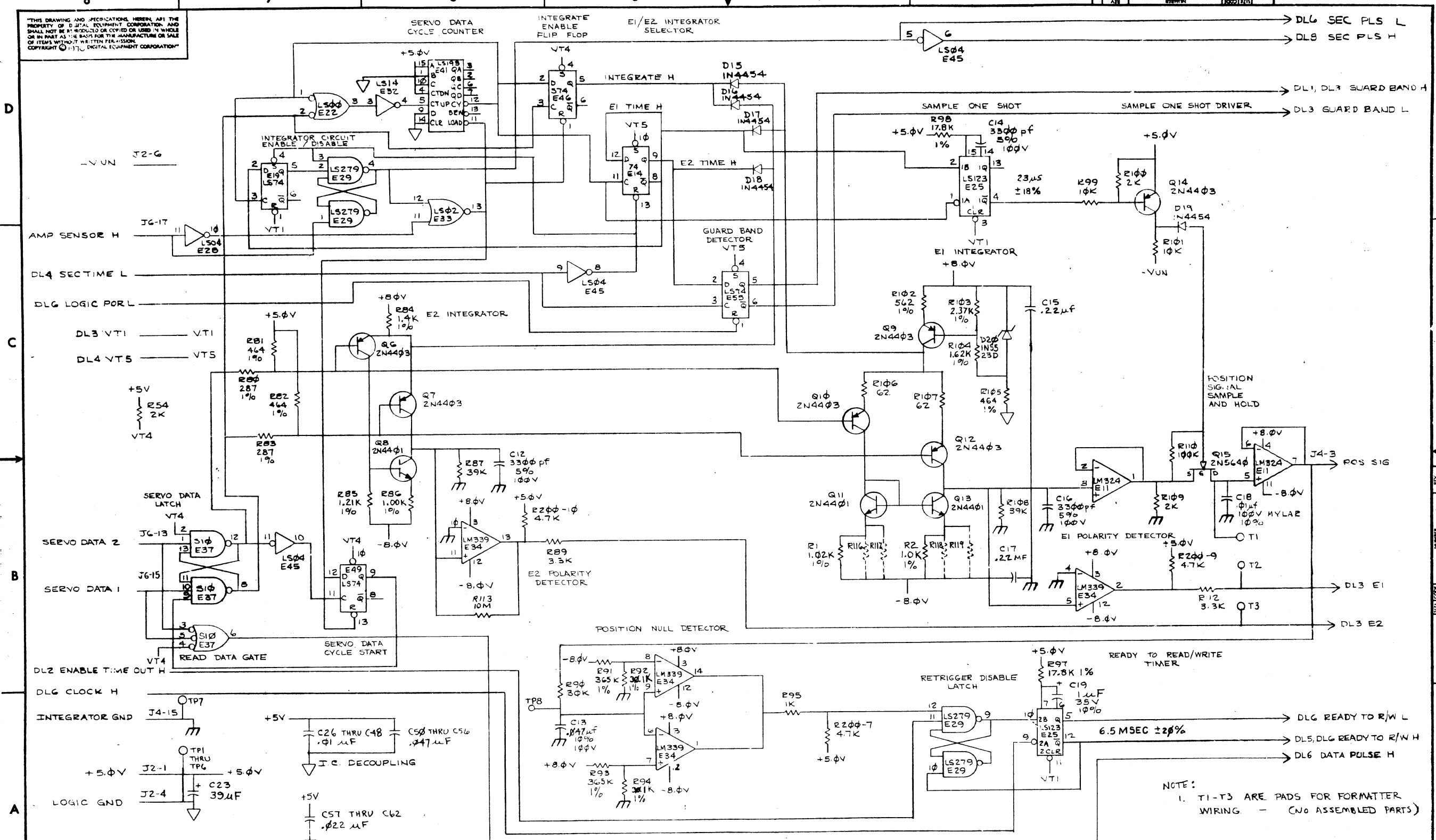
THIS DRAWING AND SPECIFICATIONS, HEREIN, ARE THE PROPERTY OF DIGITAL EQUIPMENT CORPORATION AND SHALL NOT BE REPRODUCED OR COPIED IN WHOLE OR IN PART WITHOUT WRITTEN PERMISSION. COPYRIGHT © 1976 DIGITAL EQUIPMENT CORPORATION



REVISIONS		
CHK	CHANGE NO.	REV.



"THIS DRAWING AND SPECIFICATIONS HEREAFTER ARE THE PROPERTY OF DIGITAL EQUIPMENT CORPORATION AND SHALL NOT BE REPRODUCED OR COPIED OR USED IN WHOLE OR IN PART AS THE BASIS FOR THE MANUFACTURE OR SALE OF ITEMS WITHOUT WRITTEN PERMISSION. COPYRIGHT © 1970 DIGITAL EQUIPMENT CORPORATION"



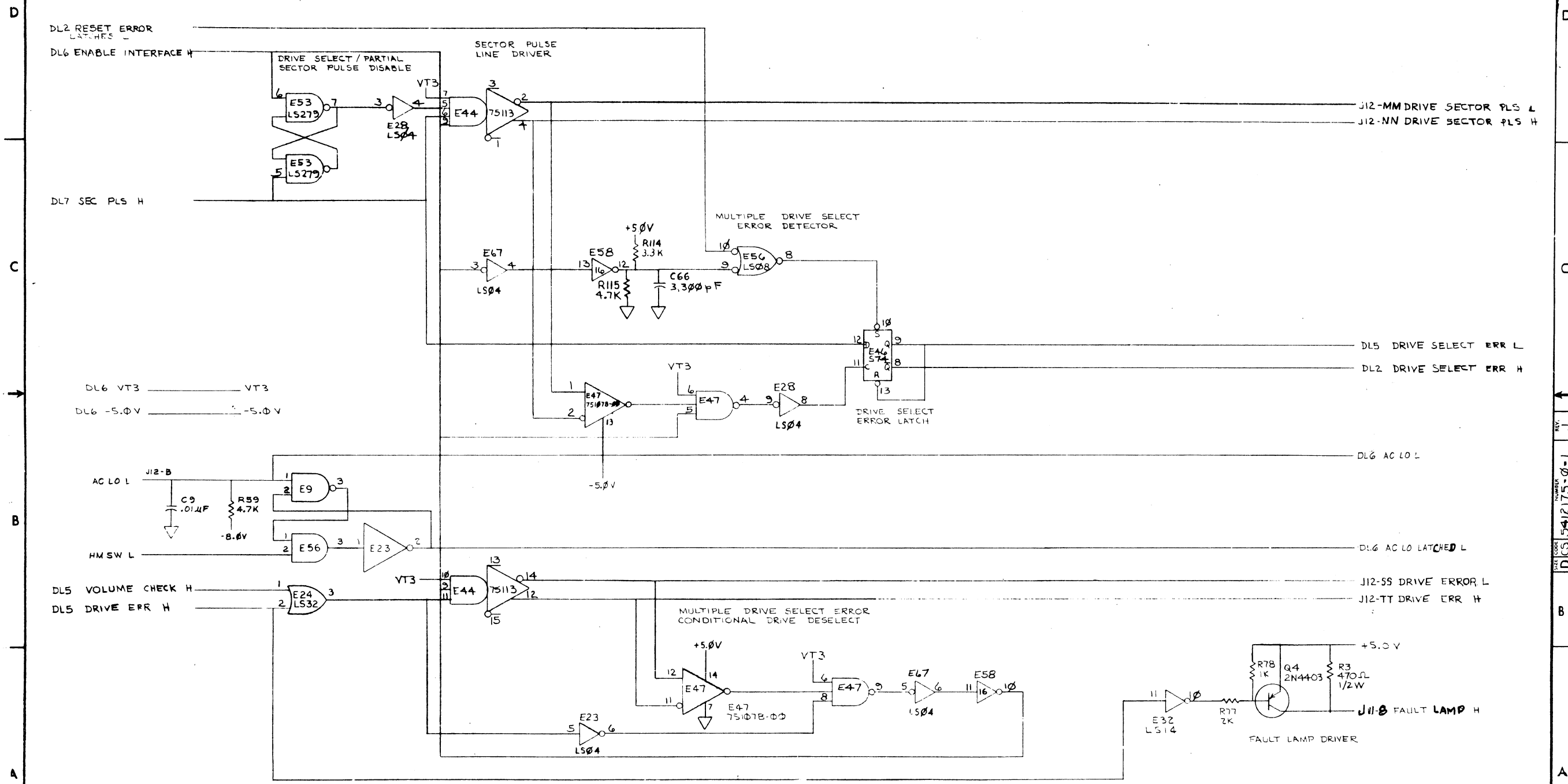
NOTE:  
1. T1-T3 ARE PADS FOR FORMATTER WIRING - (NO ASSEMBLED PARTS)

REVISIONS		
CHK	CHANGE NO.	REV.

TITLE	DRIVE LOGIC (DL7) (INTEGRATOR LOGIC)	SIZE CODE	DCS 5412175-0-1	NUMBER	1	REV.	
SCALE		SHEET	7	OF	8	DIST.	

DCS 5412175-0-1 J

THIS DRAWING AND SPECIFICATIONS HEREIN ARE THE PROPERTY OF DIGITAL EQUIPMENT CORPORATION AND SHALL NOT BE REPRODUCED OR COPIED OR USED IN WHOLE OR IN PART WITHOUT WRITTEN PERMISSION OF DIGITAL EQUIPMENT CORPORATION



REVISIONS		
CHK	CHANGE NO.	REV.

TITLE	DRIVE LOGIC (DLB)	SIZE	CODE	NUMBER	REV.
		D	CS	5412175-0-1	J
SCALE		SHEET	8	OF	8

REV. J NUMBER 5412175-0-1







DIGITAL EQUIPMENT CORPORATION

PARTS LIST

QUANTITY / VARIATION

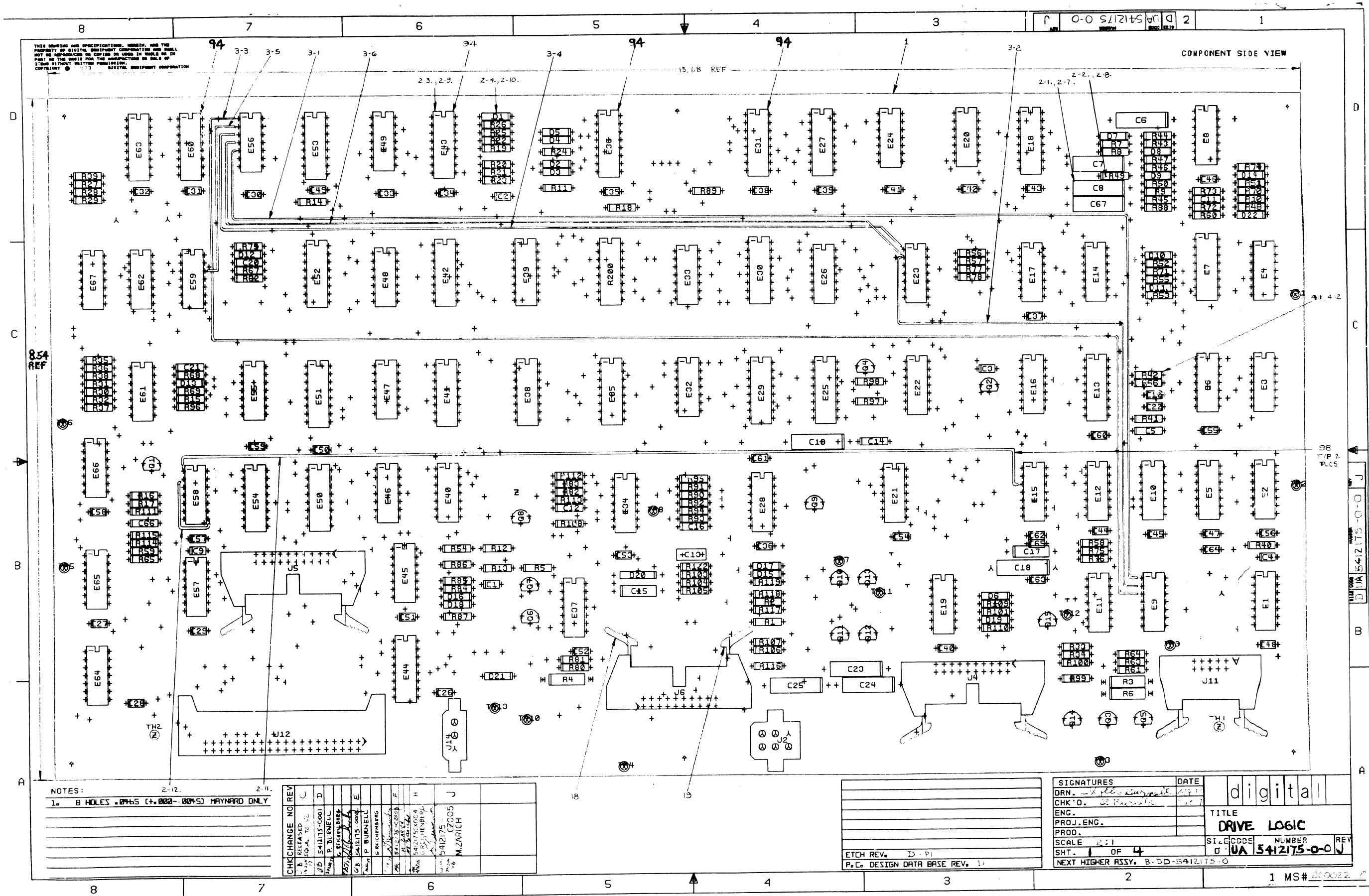
NOTES:

MADE BY R. HILL	CHECKED <i>Burnell</i>	SECTION
DATE 7 April 76	DATE 2-24-77	
ENG	PROD	ISSUED SECTION
DATE	DATE	

ITEM NO.	DRAWING NO.	PART NO.	DESCRIPTION	5412175-0-0														REF DESIGNATION
85		1912837-00	IC DEC LS123	1														E25
86		1912854-00	IC DEC LS193	3														E39, E41, E42
87		1912855-00	IC DEC LS195	5														E27, E30, E35, E38, E51
88		1912857-00	IC DEC LS197	4														E1, E2, E5, E66
89		1912864-00	IC DEC LS279	5														E7, E13, E18, E29, E53
90		23445A2-00	ROM IM5603A (VELOCITY)	1														E43
91		23371A2-00	ROM IM5603A (SEEK)	1														E36
92		23368A2-00	ROM IM5603A (STATE)	1														E31
93		23444A2-00	ROM IM5603A (COUNT)	1														E60
94		1211813-00	SOCKET, (ROM) 16 PIN	4														(E31, E36, E43, E60)
95		9007791-00	TERMINAL, TURRET	13														TP1 thru TP13
96		1114117-00	DIODE 1N4152 (D035)	5														D1, D2, D3, D4, D5
97		1303114-00	RESISTOR, 1.00 K 1/4W 1% mf	2														R2, R86
98		9105740-55	WIRE, 30 AWG	AR														
99		1912697-00	IC DEC LS174	1														E63
100		1312992-00	RESISTOR, 560K, 1/4W, 5%, CC	1														R49
101		1302391-00	RESISTOR, 20K, 1/4W, 5%, CC	1														R42

ECO. NO.

THIS DRAWING AND SPECIFICATIONS, HEREIN, ARE THE PROPERTY OF DIGITAL EQUIPMENT CORPORATION AND SHALL NOT BE REPRODUCED OR COPIED OR USED IN WHOLE OR IN PART AS THE BASIS FOR THE MANUFACTURE OR SALE OF ITEMS WITHOUT WRITTEN PERMISSION. COPYRIGHT © 1977 DIGITAL EQUIPMENT CORPORATION*	TITLE	ASSY NO.	SIZE	CODE	NUMBER	REV.
	DRIVE LOGIC	D-UA-5412175-0-0	B	PL	5412175-0-0	F
		SHEET 4 OF 4	INSERTION PARTS LIST DATA BASE REV			



THIS DRAWING AND SPECIFICATIONS, HEREIN, ARE THE PROPERTY OF DIGITAL EQUIPMENT CORPORATION AND SHALL NOT BE REPRODUCED OR COPIED IN WHOLE OR IN PART OR THE BASIS FOR THE MANUFACTURE OR SALE OF ITEMS WITHOUT WRITTEN PERMISSION. COMPANY: DIGITAL EQUIPMENT CORPORATION

COMPONENT SIDE VIEW

NOTES:  
1. B HOLES .075 (+.000-.005) MAYNARD ONLY

CHK	CHANGE NO	REV
B	RELEASED	C
J.D.	SWARTZ-COOL	D
	P. BURNELL	E
	G. BURNELL	F
	P. BURNELL	G
	G. BURNELL	H
	5412175-0004	I
	5412175-0005	J
	M. ZARICH	

ETCH REV. D-PI	
P.C. DESIGN DATA BASE REV. 1	

SIGNATURES		DATE
DRN. <i>[Signature]</i>	<i>[Signature]</i>	<i>[Date]</i>
CHK'D. <i>[Signature]</i>	<i>[Signature]</i>	<i>[Date]</i>
ENG.		
PROJ. ENG.		
PROD.		
SCALE 2:1		
SHT. 1 OF 4		
NEXT HIGHER ASSY. B-DD-5412175-0		
TITLE		digital
DRIVE LOGIC		
ST. CODE	NUMBER	REV
0	UA 5412175-0-0	J

1 MS# 210022

