



**DIGITAL EQUIPMENT CORPORATION  
MAYNARD, MASSACHUSETTS  
PARTS LIST**

MADE BY <i>F Wilson</i>	CHECKED <i>R W Counter</i>	SECTION 1
DATE <i>8 Dec 77</i>	DATE <i>7 Dec 77</i>	
ENG <i>Robert Fitch</i>	PROD <i>Don Devine R/F</i>	ISSUED SECT. 1
DATE <i>6 Dec 77</i>	DATE <i>4 Jan 78</i>	

**QUANTITY VARIATION**

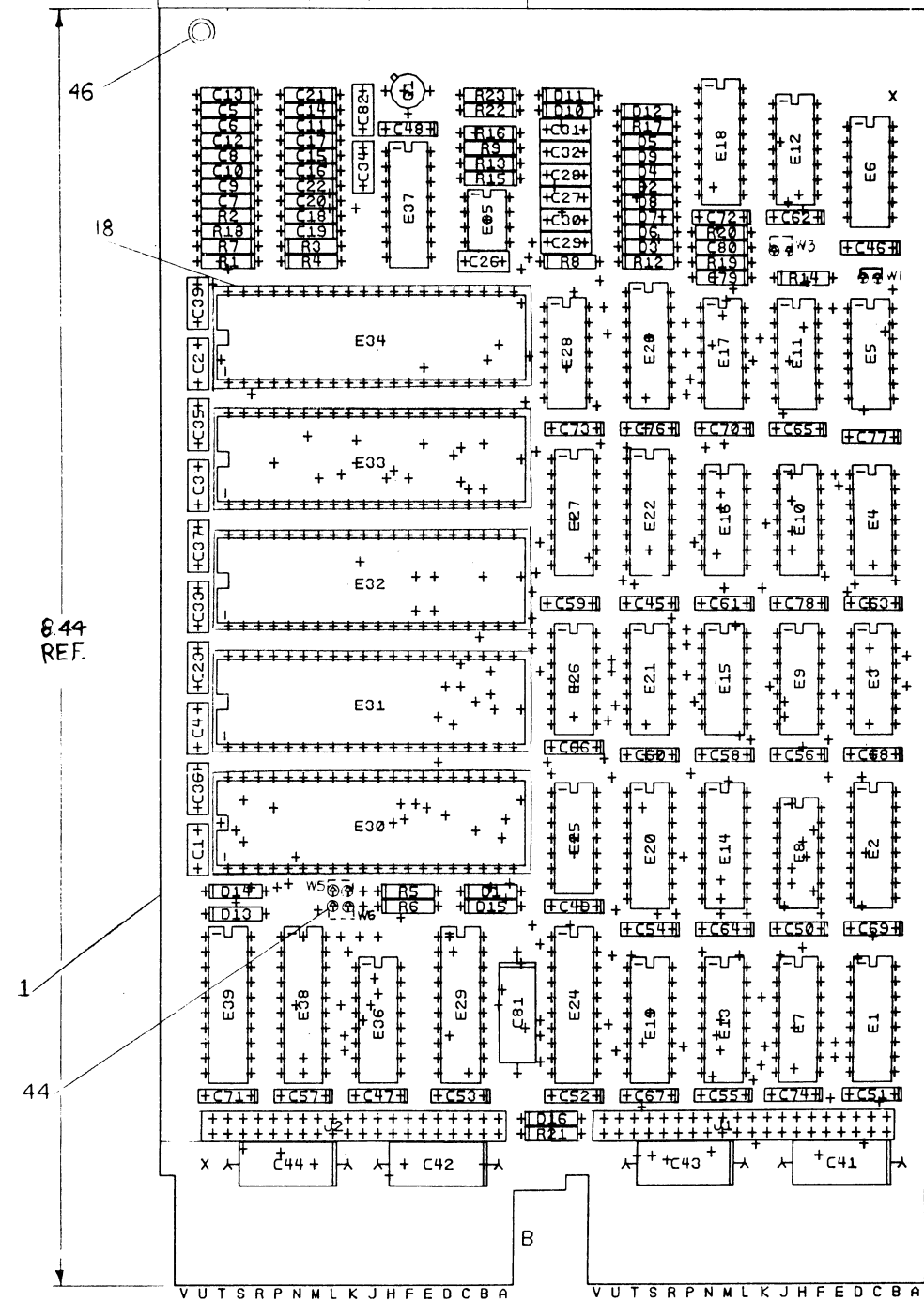
ITEM NO.	DWG NO./PART NO.	DESCRIPTION	1														
1	M7270	LSI 11 CPU	1														
2	9905622-0	BOX, FOLDING, REVERSE TUCK	1														
3	23003B5	EIS/FIS MICROM (E34)	1														

TITLE	ASSY NO.	SIZE	CODE	NUMBER	REV	ECO NO.
LSI 11 CPU WITH EIS, FIS, NO MEMORY	B-DD-KD11-NA	A	PL	KD11-NA-0		
	SHEET 1 OF 1	DIST				

THIS DRAWING AND SPECIFICATIONS, HEREIN, ARE THE PROPERTY OF DIGITAL EQUIPMENT CORPORATION AND SHALL NOT BE REPRODUCED OR COPIED IN WHOLE OR IN PART OR IN ANY MANNER FOR THE PRODUCTION OR SALE OF ITEMS WITHOUT WRITTEN PERMISSION.  
COPYRIGHT © DIGITAL EQUIPMENT CORPORATION

45

COMPONENT SIDE VIEW



B

NOTES:

- 1. WI INSTALLED. W3, W5, AND W6, NOT INSTALLED.
- 2. C81 MAY BE REMOVED AS A CUSTOMER OPTION.

CHANGE NO	REV	DATE	BY
1	M7270-M7270-003	F	R. FITCH
2	M7270-M7270-004	H	R. SALETT
3	M7270-M7270-005	H	R. SALETT

ETCH REV.	E
P.C. DESIGN DATA BASE REV.	E

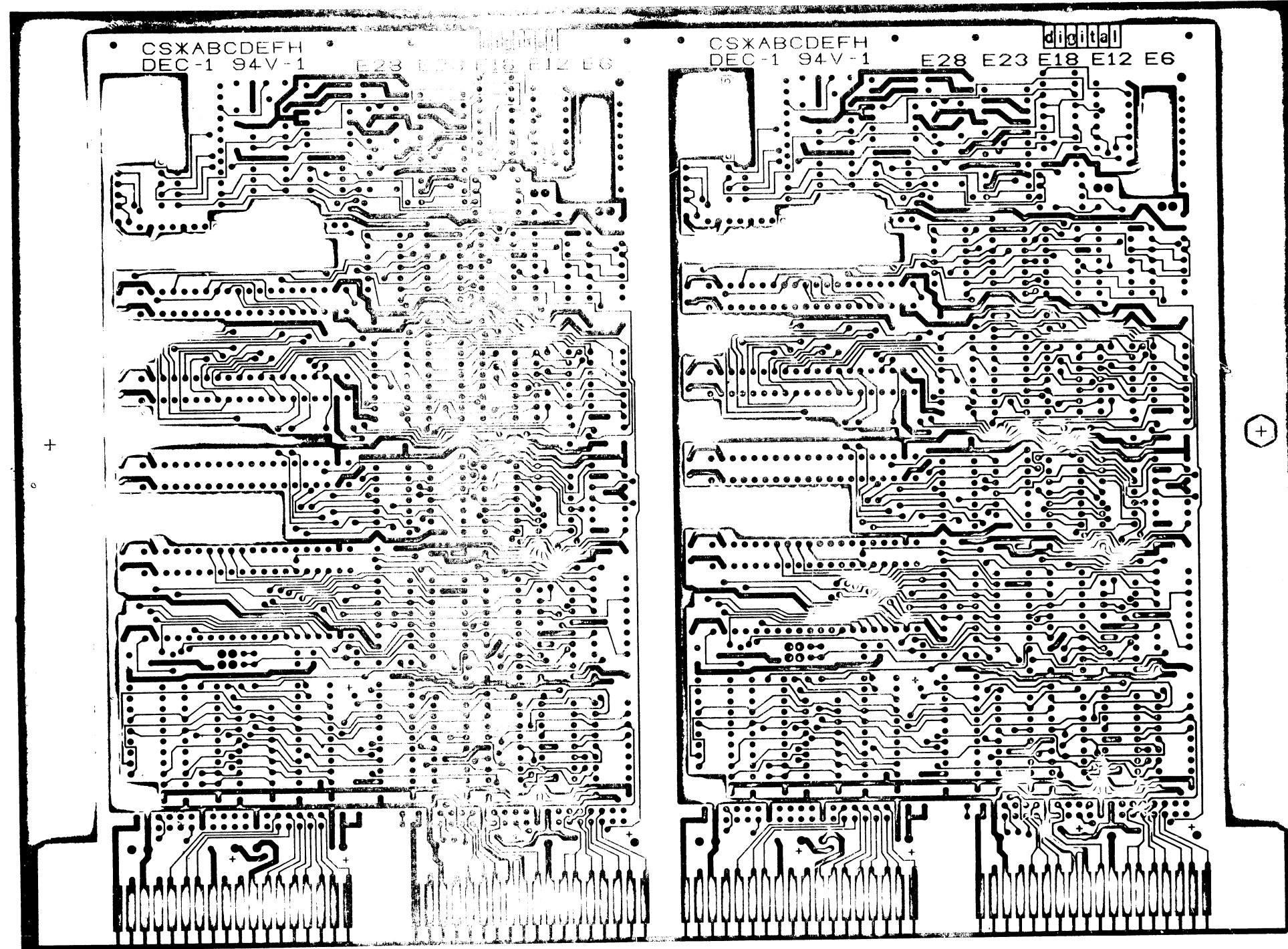
SIGNATURES		DATE	digital
DRN. E. WILSON		4-19-77	
CHK. D. R. W. CAUNTER		19-SEP-77	
ENG. R. FITCH		20-SEP-77	
PROJ. ENG. R. FITCH		20-SEP-77	
PROD. K. MERCADO		9-20-77	TITLE
SCALE 2:1			LSI-11 CPU
SHT. 1 OF 3		SIZE CODE	NUMBER
NEXT HIGHER ASSY. B-DD-M7270-1		D	UA M7270-00
			REV H

ALL RIGHTS RESERVED. NO PART OF THIS DOCUMENT MAY BE REPRODUCED OR TRANSMITTED IN ANY FORM OR BY ANY MEANS, ELECTRONIC OR MECHANICAL, INCLUDING PHOTOCOPYING, RECORDING, OR BY ANY INFORMATION STORAGE AND RETRIEVAL SYSTEM.

5013004E-P1

5013004E-P1 M7270

L1

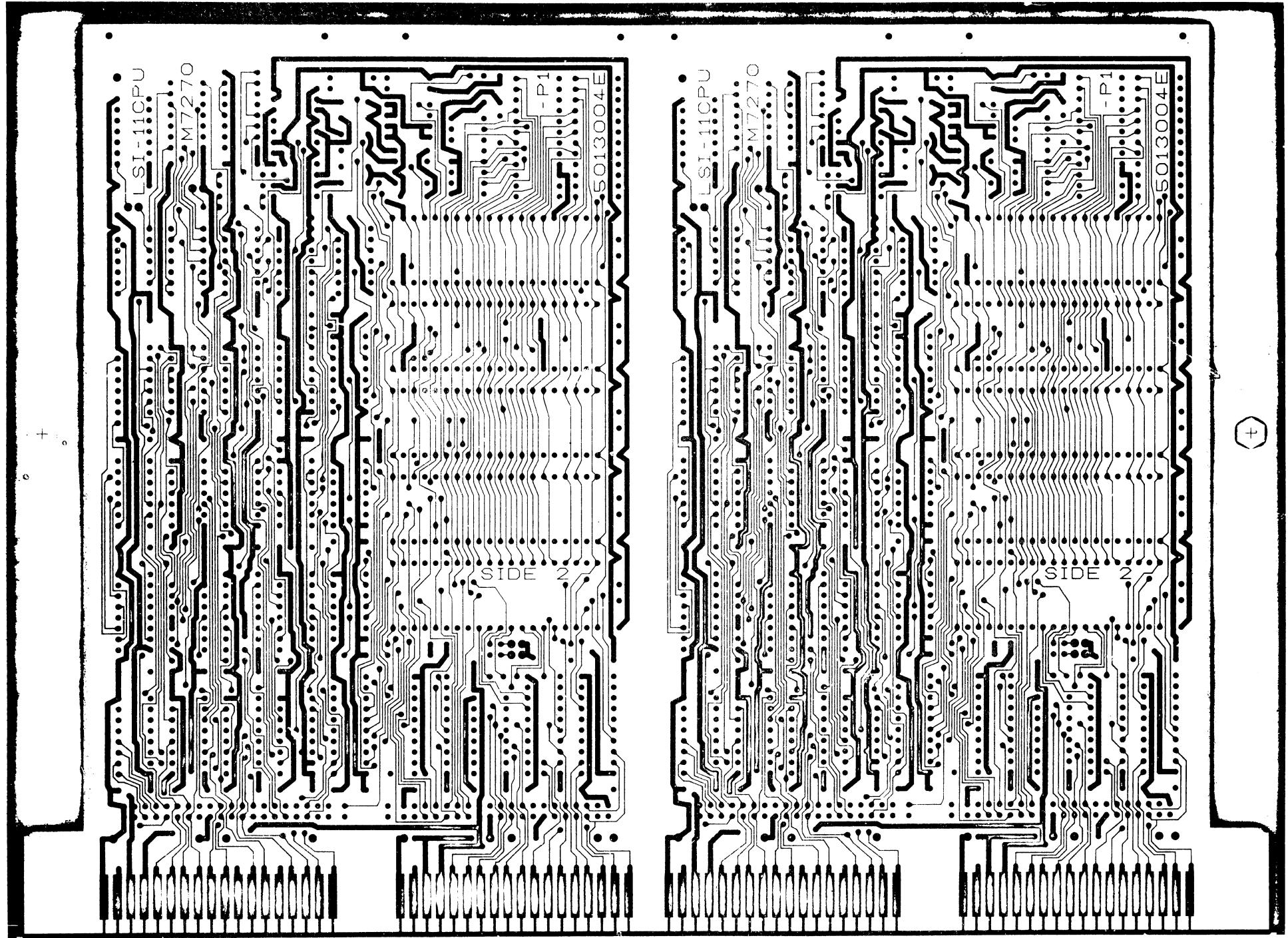


REV.	DATE	BY	CHK.	CHANGE TO	REV.

TITLE	SIZE	CODE	NUMBER	REV.
LSI-II CPU	D	UA	M7270-0-0	H
SCALE 2/1	SHEET 2	OF 3	DIST	

L2

L2



DATE	DESIGNER	NUMBER	REV.
2/1	DUA	M.7270-0-0	H
SHEET 3 OF 3		DIST	

LSI-II CPU

DUA

M.7270-0-0

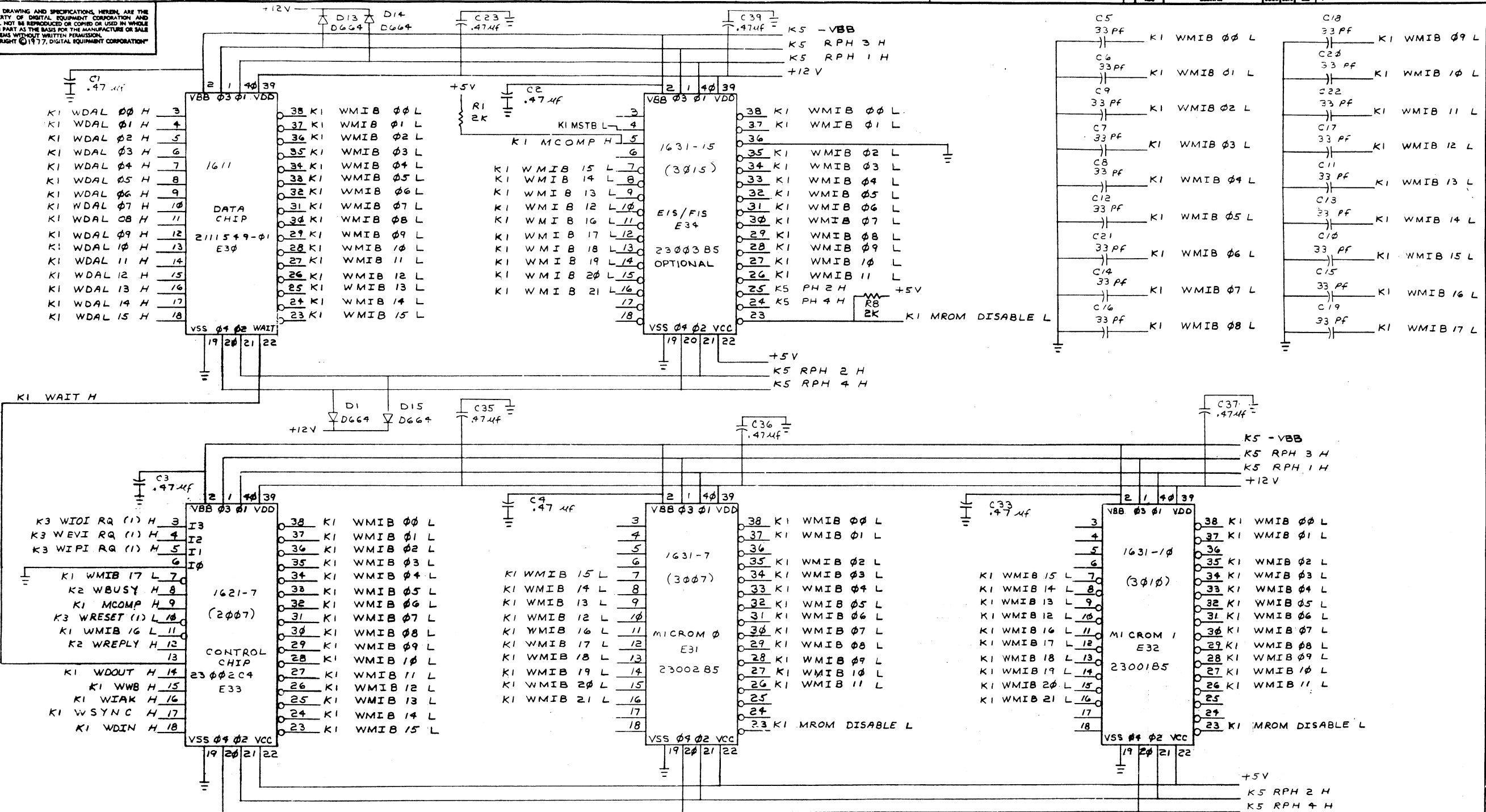
H

2/1

SHEET 3 OF 3

DIST

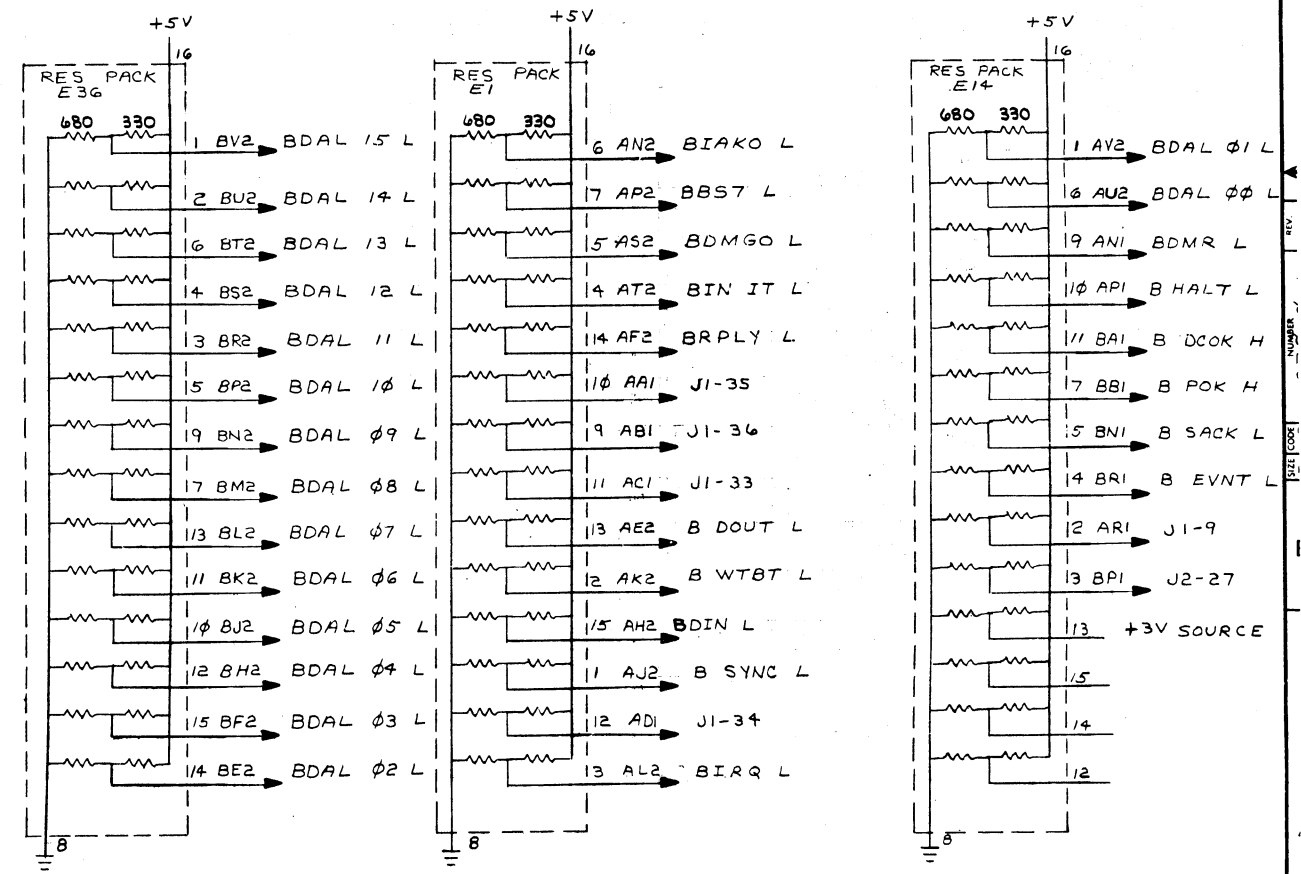
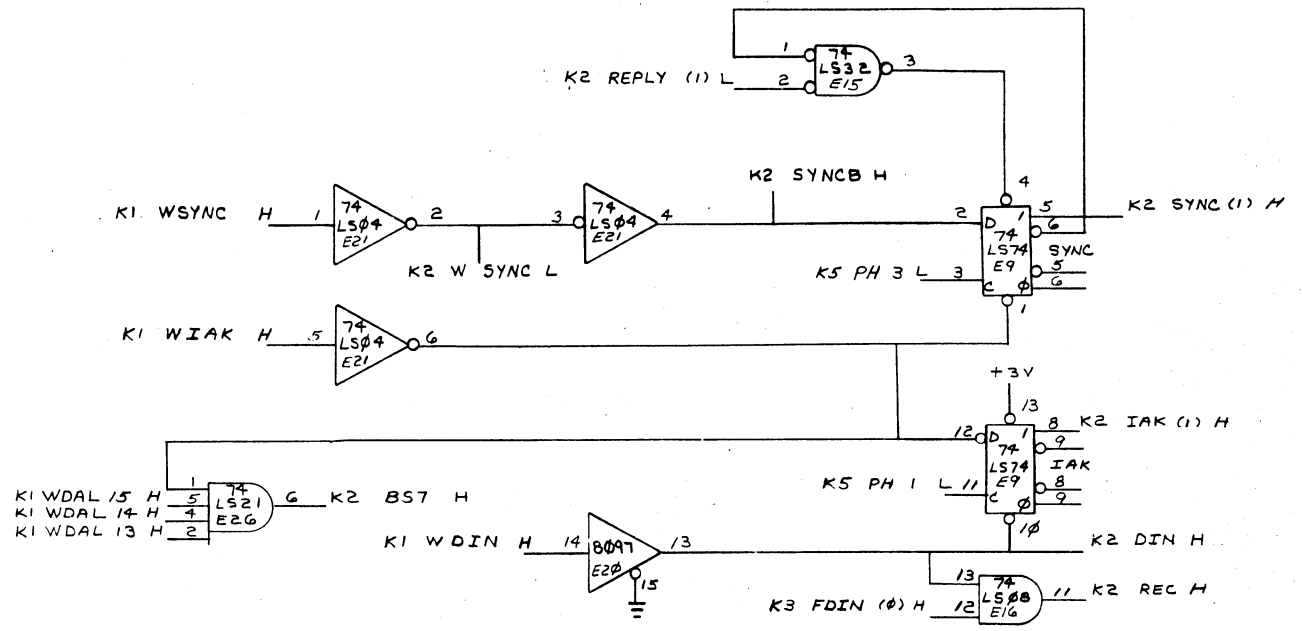
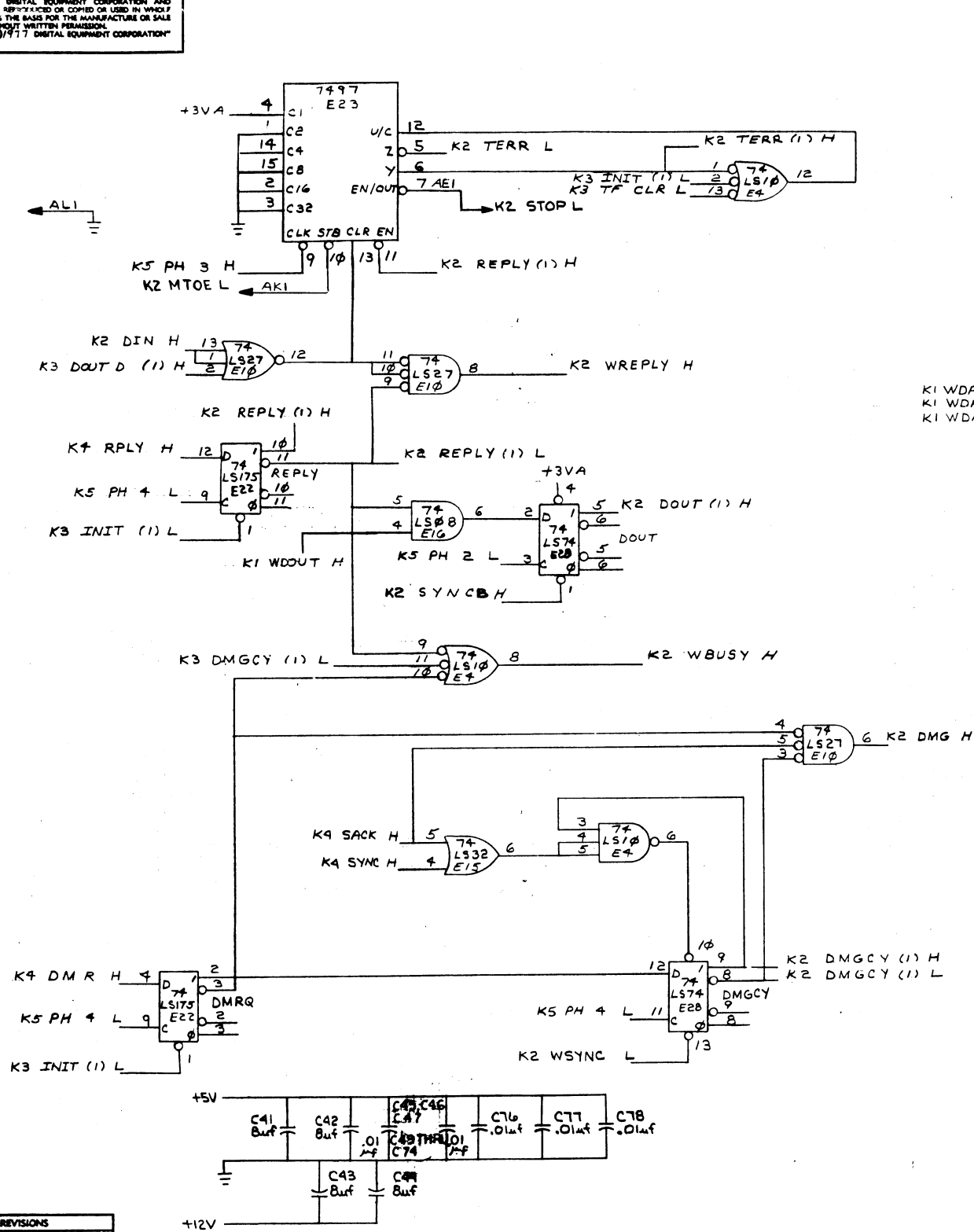
"THIS DRAWING AND SPECIFICATIONS, HEREIN, ARE THE PROPERTY OF DIGITAL EQUIPMENT CORPORATION AND SHALL NOT BE REPRODUCED OR COPIED OR USED IN WHOLE OR IN PART AS THE BASIS FOR THE MANUFACTURE OR SALE OF ITEMS WITHOUT WRITTEN PERMISSION. COPYRIGHT © 1977, DIGITAL EQUIPMENT CORPORATION"



REV.	CHANGE NO.	DATE	BY	CHK'D
D	0001	11/30/77	R. FITCH	
E	0002	1/02/77	R. FITCH	
F	0003	1/02/77	R. FITCH	
H	0004	1/16/78	R. SALETTI	

DRN. <i>Wilson 4/1/77</i>	FIRST USED ON	<b>digital</b>
CHK'D <i>R. Wilson 1/16/77</i>	LSI-II	
ENG. <i>Robt Fitch 20 SEP 77</i>	TITLE	LSI-II CPU
PROJ. ENG. <i>Robt Fitch 20 SEP 77</i>	NUMBER	
PROD. <i>Wilson 1/16/77</i>	CSM7270-0-1	
NEXT HIGHER ASSY.	SCALE	REV.
B-DD-M7270-0	NONE	H
SHEET 1 OF 6	DIST.	

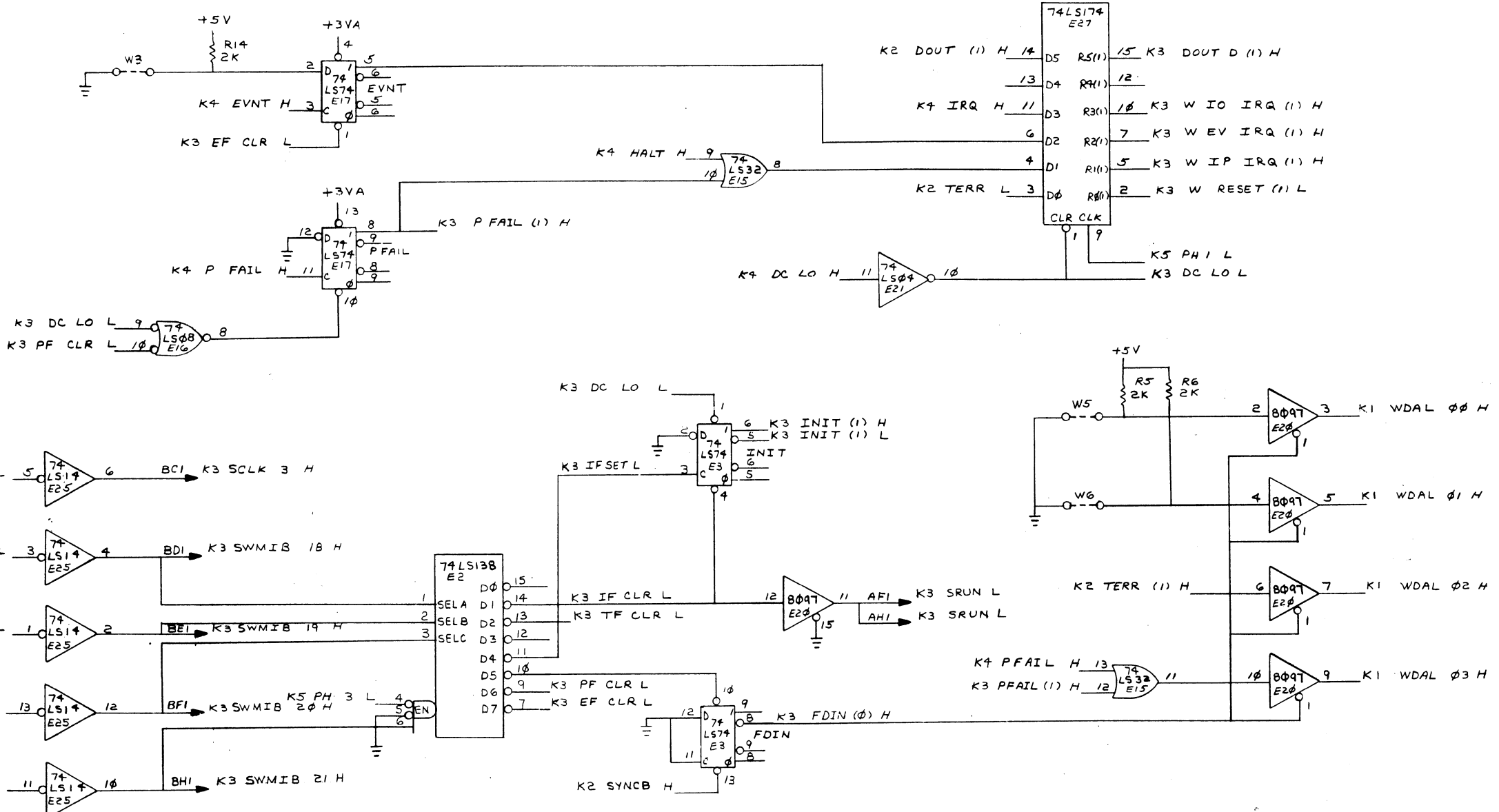
THIS DRAWING AND SPECIFICATIONS HEREIN ARE THE PROPERTY OF DIGITAL EQUIPMENT CORPORATION AND SHALL NOT BE REPRODUCED OR COPIED OR USED IN WHOLE OR IN PART AS THE BASIS FOR THE MANUFACTURE OR SALE OF ITEMS WITHOUT WRITTEN PERMISSION. COPYRIGHT © 1977 DIGITAL EQUIPMENT CORPORATION



REVISIONS			TITLE		SIZE CODE		NUMBER		REV.	
CHK	CHANGE NO.	REV.	LSI-11 CPU		DCS		M7270-01		H	
			SCALE		SHEET 2 OF 6		DIST.			

K2

"THIS DRAWING AND SPECIFICATIONS, HEREIN, ARE THE PROPERTY OF DIGITAL EQUIPMENT CORPORATION AND SHALL NOT BE REPRODUCED OR COPIED OR USED IN WHOLE OR IN PART AS THE BASIS FOR THE MANUFACTURE OR SALE OF ITEMS WITHOUT WRITTEN PERMISSION. COPYRIGHT © 1977 DIGITAL EQUIPMENT CORPORATION"



JUMPER TABLE		
JUMPER	FUNCTION WHEN INSTALLED	FACTORY CONFIGURATION
W1	CRYSTAL CLOCK	I
W3	DISABLE EVENT LINE INTERRUPT	R
W5	POWER UP SELECT	R
W6	POWER UP SELECT	R

POWER-UP MODES			
MODE	JUMPERS		MODE SELECT
	W6	W5	
0	R	R	PC AT 24 AND PS AT 26, OR HALT MODE
1	R	I	ODT MICROCODE
2	I	R	PC AT 173000 FOR USER BOOTSTRAP
3	I	I	SPECIAL PROCESSOR MICROCODE (NOT IMPLEMENTED)

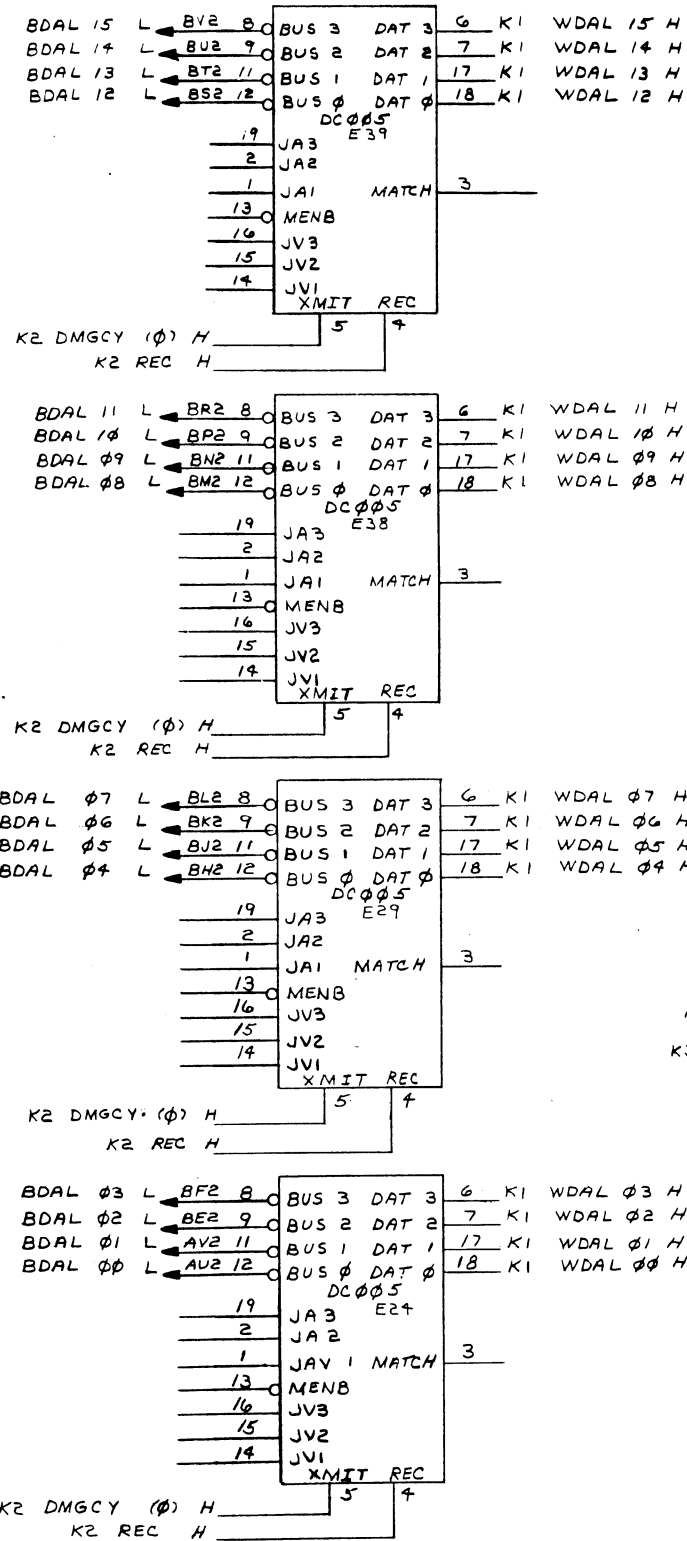
NOTE: R = JUMPER REMOVED, I = JUMPER INSTALLED

K3

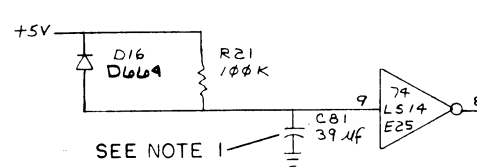
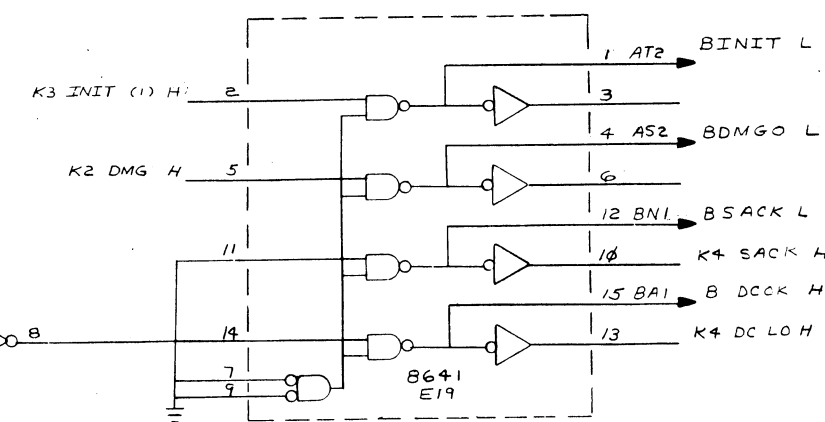
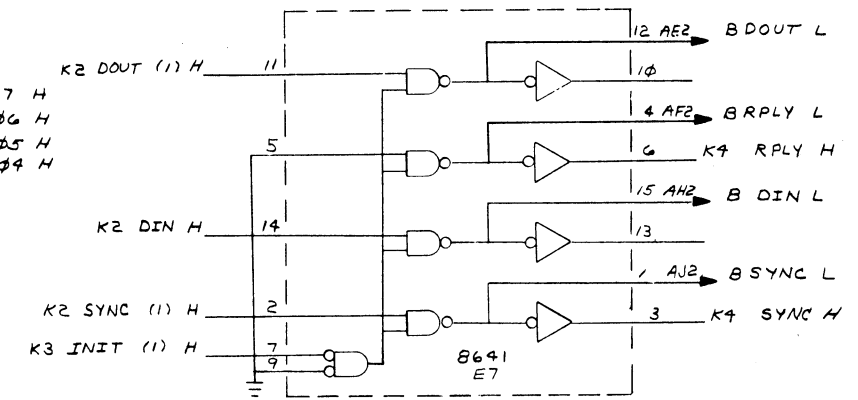
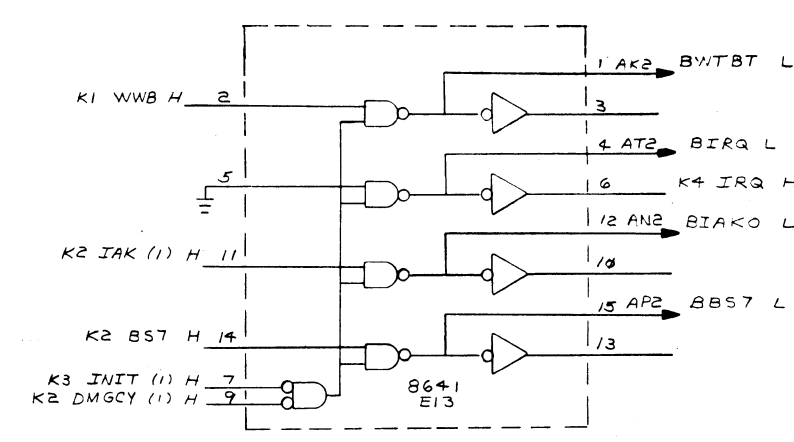
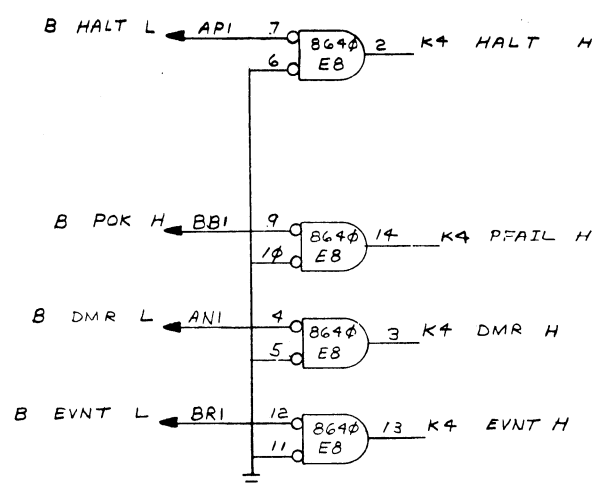
REVISIONS			TITLE		SIZE CODE	NUMBER	REV.
CHK	CHANGE NO.	REV.	LSI-11 CPU		DCS	M7270-0-1	H
			SCALE	SHEET	3 OF 6	DIST.	



THIS DRAWING AND SPECIFICATIONS HEREIN ARE THE PROPERTY OF DIGITAL EQUIPMENT CORPORATION AND SHALL NOT BE REPRODUCED OR COPIED OR USED IN WHOLE OR IN PART AS THE BASIS FOR THE MANUFACTURE OR SALE OF ITEMS WITHOUT WRITTEN PERMISSION. COPYRIGHT © 1977 DIGITAL EQUIPMENT CORPORATION



NOTES:  
1. THE WAKE UP CIRCUIT MAY BE DISABLED BY REMOVING C81.



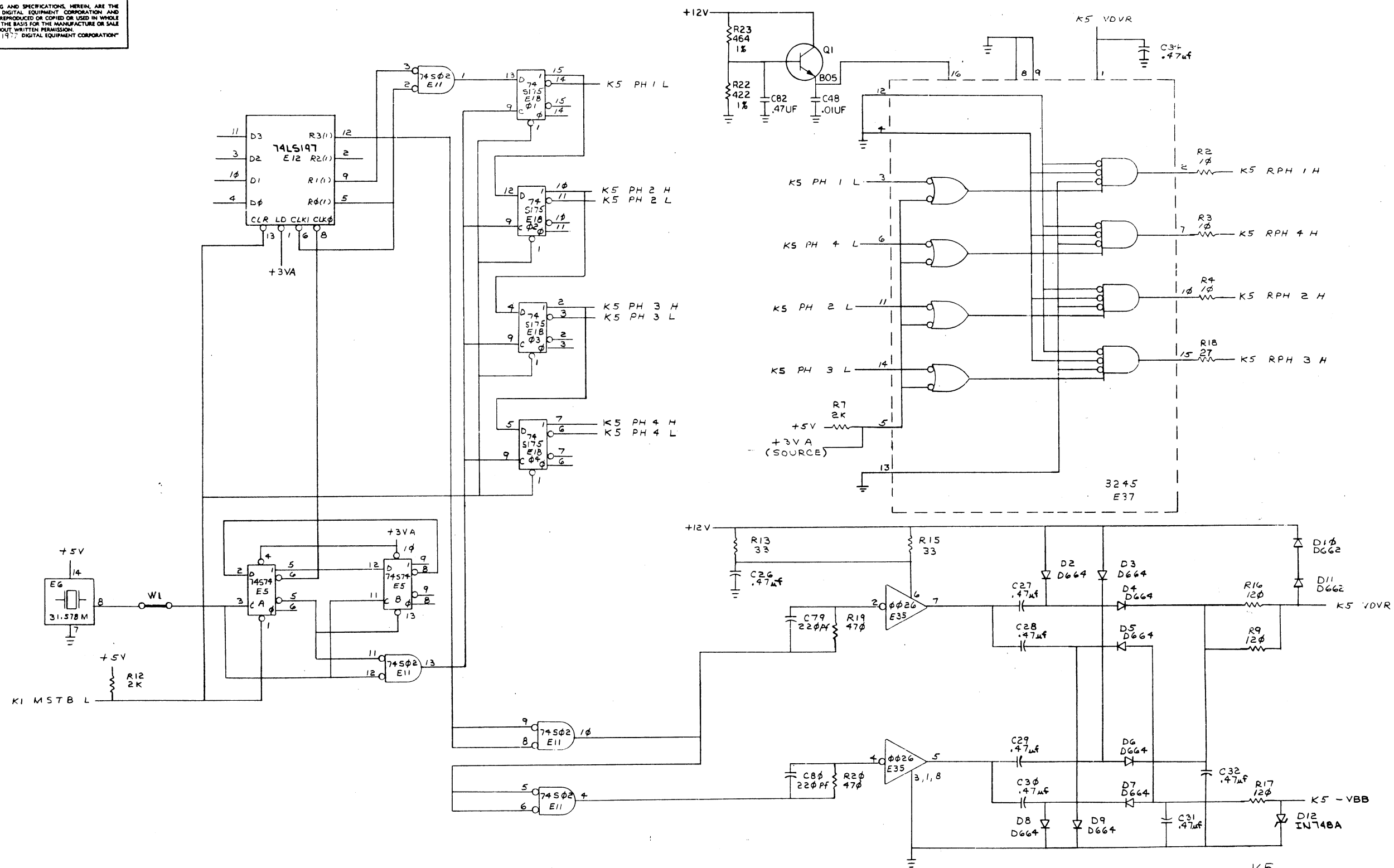
SEE NOTE 1

CHK	CHANGE NO.	REV.

TITLE		LSI-11 CPU		SIZE CODE	DCS	NUMBER	M7270-0-1	REV.	H
SCALE		SHEET 4 OF 6		DIST.					

K4

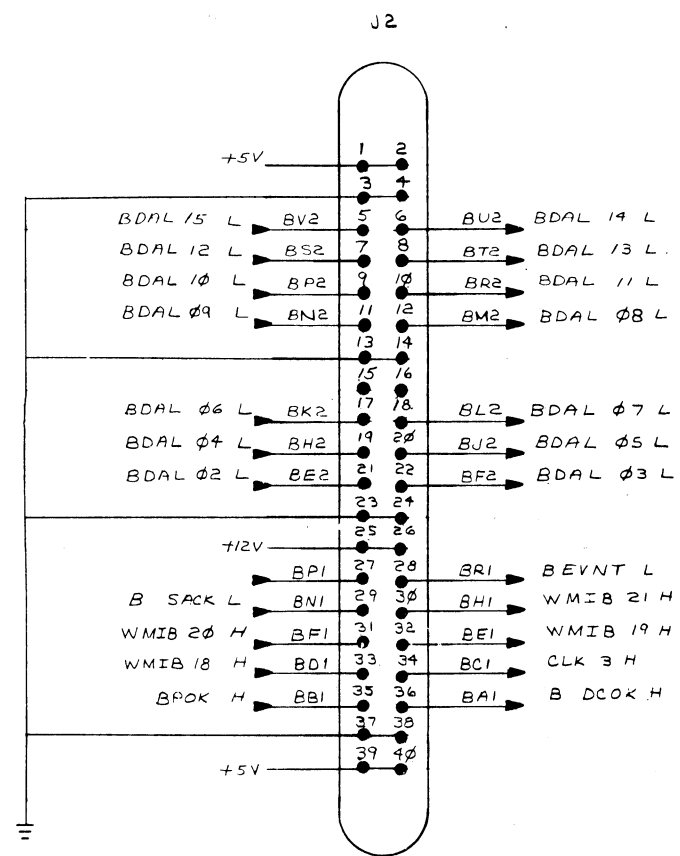
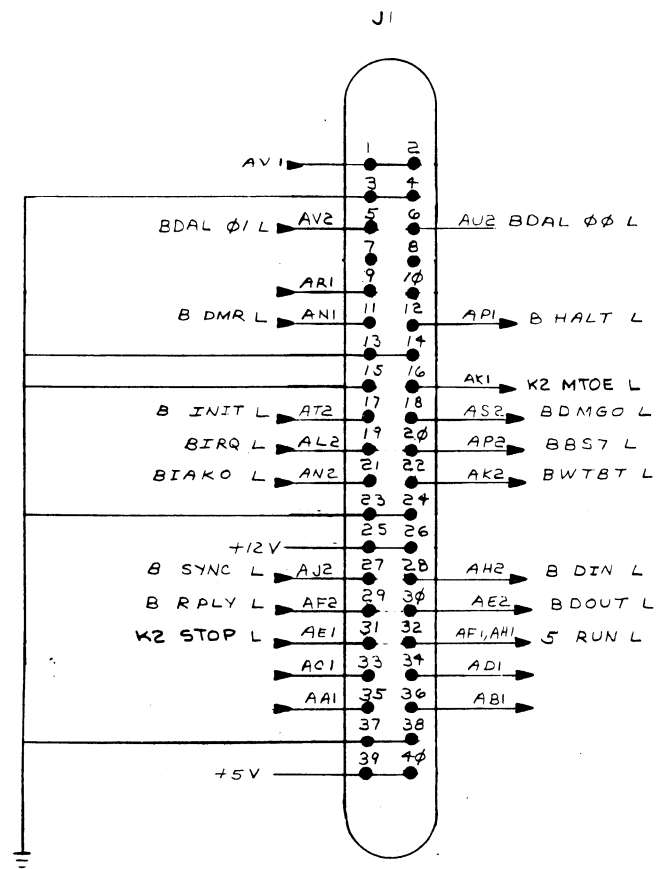
"THIS DRAWING AND SPECIFICATIONS HEREIN ARE THE PROPERTY OF DIGITAL EQUIPMENT CORPORATION AND SHALL NOT BE REPRODUCED OR COPIED OR USED IN WHOLE OR IN PART AS THE BASIS FOR THE MANUFACTURE OR SALE OF ITEMS WITHOUT WRITTEN PERMISSION. COPYRIGHT © 1977 DIGITAL EQUIPMENT CORPORATION"



REVISIONS		
CHK	CHANGE NO.	REV.

TITLE	LSI-II CPU	SIZE CODE	DCS	NUMBER	M7270-0-1	REV.	H
SCALE	←	SHEET	5 OF 6	DIST.			

"THIS DRAWING AND SPECIFICATIONS, HEREIN, ARE THE PROPERTY OF DIGITAL EQUIPMENT CORPORATION AND SHALL NOT BE REPRODUCED OR COPIED OR USED IN WHOLE OR IN PART AS THE BASIS FOR THE MANUFACTURE OR SALE OF ITEMS WITHOUT WRITTEN PERMISSION. COPYRIGHT © 1977 DIGITAL EQUIPMENT CORPORATION"



REVISIONS		
CHK	CHANGE NO.	REV.

TITLE	LSI-11 CPU	SIZE CODE	DCSM7270-0-1	NUMBER		REV.	H
SCALE	2/1	SHEET	6 OF 6	DIST.			