

LINE	ITEM	DOCUMENT NUMBER	PART NUMBER	DESCRIPTION	QUANTITY PER VARIATION
1	1	D-UA-M8049-0-0	M8049-00	DRV11-J, HI-DENSITY PARALLEL LINE	1
2	2		9905622-00	BOX, FOLDING	1

REVISION HISTORY		BASIC PART NO: DRV11		DRN: M. ARCHIE		DATE: 06-AUG-79		D I G I T A L	
ENG	ECO NUMBER	REV	SECTION A OF A	CHK'D: R. LEWIS	DATE: 07-SEP-79	TITLE		PARTS LIST	
---	INITIAL	A	SECTION. VARIATION INDEX	DES.ENG.: R. HULTMAN		DATE: 07-SEP-79		PARTS LIST, DRV11-J	
			[A] J	RESP.ENG.: R. HULTMAN		DATE: 07-SEP-79		DOCUMENT NUMBER	
			[B]	MFG.ENG.: A. JOHNS		DATE: 07-SEP-79		K	PL
			[C]	ASSEMBLY NUMBER:		TOP DOCUMENT NUMBER:		PL	DRV11-J-DBP
			[D]	B-DD-DRV11-J-0	B-DD-DRV11-J-0		FILE NAME:		REV
			[E]				Z0806A.PLS		A
			[F]						3

"THIS DRAWING AND SPECIFICATIONS HEREIN, ARE THE PROPERTY OF DIGITAL EQUIPMENT CORPORATION AND SHALL NOT BE REPRODUCED OR COPIED OR USED IN WHOLE OR IN PART AS THE BASIS FOR THE MANUFACTURE OR SALE OF ITEMS WITHOUT WRITTEN PERMISSION. COPYRIGHT (C) 1981. DIGITAL EQUIPMENT CORPORATION"

DRAWING NO.	NO. OF SHTS.	PART NO.	DESCRIPTION	REVISIONS																					
				1	2	3	4	5	6	7	8	9	10	11	12	13	14								
D-UA-M8049-0-0	5		DRV11-J	A	A																				
K-PL-M8049-0-DBP			DATA BASE PARTS LIST	A	B																				
D-CS-M8049-0-1	6		DRV11-J	A	B																				
D-MD-5013752-0-0	5		DRILL & ETCH DRAWING	A	A																				
		5013752	ETCHED BOARD	B	B																				
K-PC-M8049-0-DBC			P.C. DESIGN DATA BASE	B	B																				

NOTES:

DATE	CHG NO.	REV.	REVISIONS																						
				1	2	3	4	5	6	7	8	9	10	11	12	13	14								
12-80	ML	001	B																						

THIS DRAWING AND SPECIFICATIONS, HEREIN, ARE THE PROPERTY OF DIGITAL EQUIPMENT CORPORATION AND SHALL NOT BE REPRODUCED OR COPIED OR USED IN WHOLE OR IN PART AS THE BASIS FOR THE MANUFACTURE OR SALE OF ITEMS WITHOUT WRITTEN PERMISSION.

COPYRIGHT© 1979 DIGITAL EQUIPMENT CORPORATION



USED ON OPTION/MODEL		11-03	DRN RITA Z. BUREAU	2 JUL 79	TITLE	DRV11-J
CHKD						
ENG. Richard Waldman				2 Jul 79	SIZE	B
PROD.				23-Jul-79	CODE	DD
				8-3-79	NUMBER	M8049-0
					REV.	B
					SHEET 1 OF 1	

THIS DRAWING AND SPECIFICATIONS, MODEL, AND THE PROPERTY OF DIGITAL EQUIPMENT CORPORATION AND SHALL NOT BE REPRODUCED OR COPIED OR USED IN WHOLE OR IN PART AS THE BASIS FOR THE MANUFACTURE OR SALE OF ITEMS WITHOUT WRITTEN PERMISSION.
 COPYRIGHT © 1979 DIGITAL EQUIPMENT CORPORATION

0-0-6508M 2 1

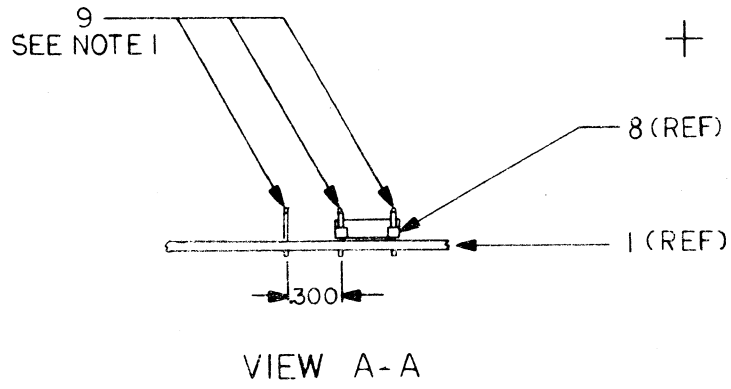
COMPONENT SIDE VIEW

34
2 PLACES

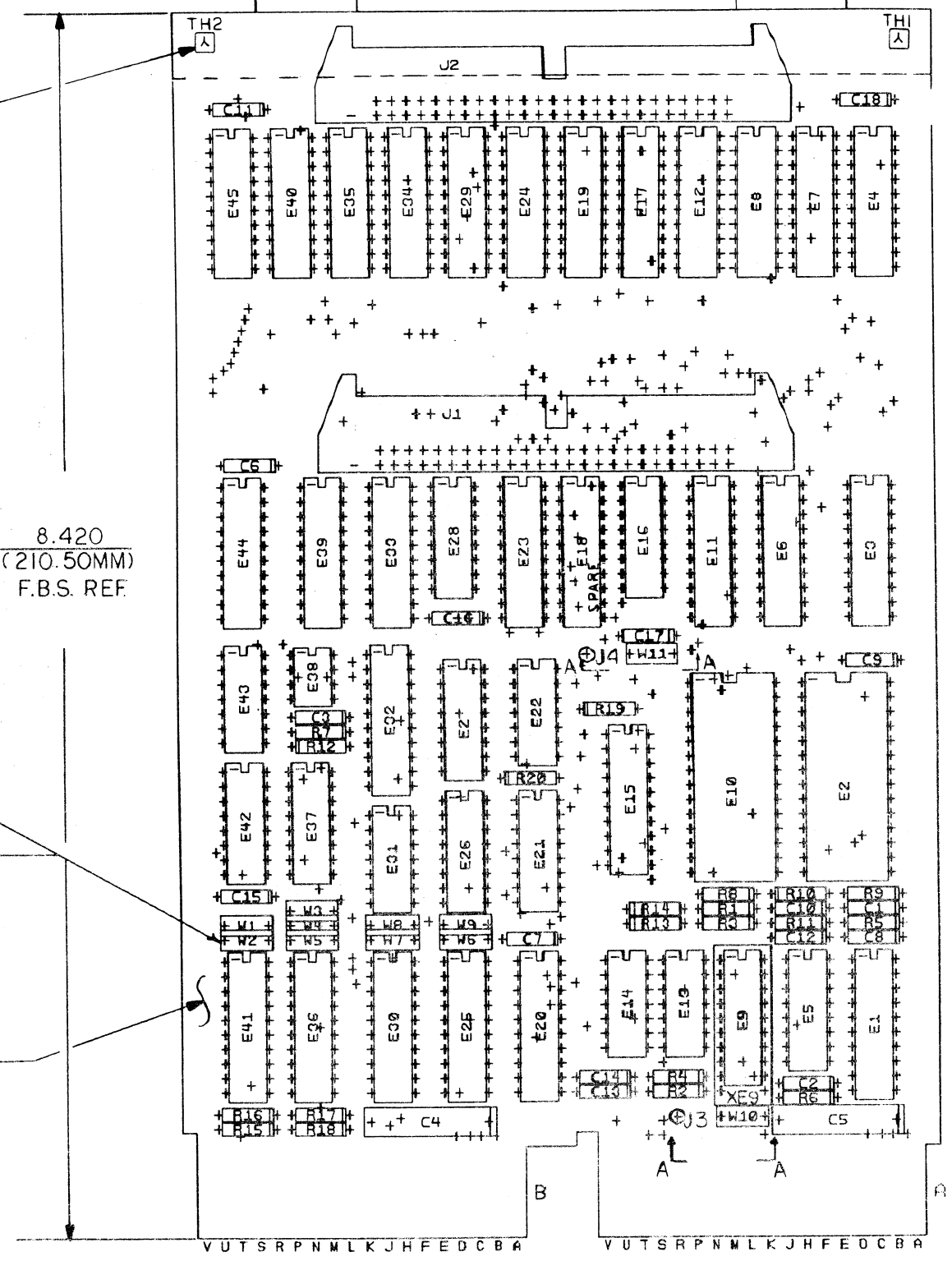
8.420
(210.50MM)
F.B.S. REF.

2ML2

8
6 PLCS
SEE NOTE 1



VIEW A-A



NOTES:
 ITEM 8 CW2 W7 WID MOUNT ON ITEM 9
 (STRIP CONNECTOR POSIS) 9 IN VIEW A-A
 ARE SINGLE ELEMENTS OF ITEM 9
 TO BE MOUNTED AS SHOWN

STEP E	↑ Y AXIS	STEP	TIMES
REPEAT	→ X AXIS	5 250	STEP 1 TIMES

CHG	NO	REV

ETCH REV.	B
-----------	---

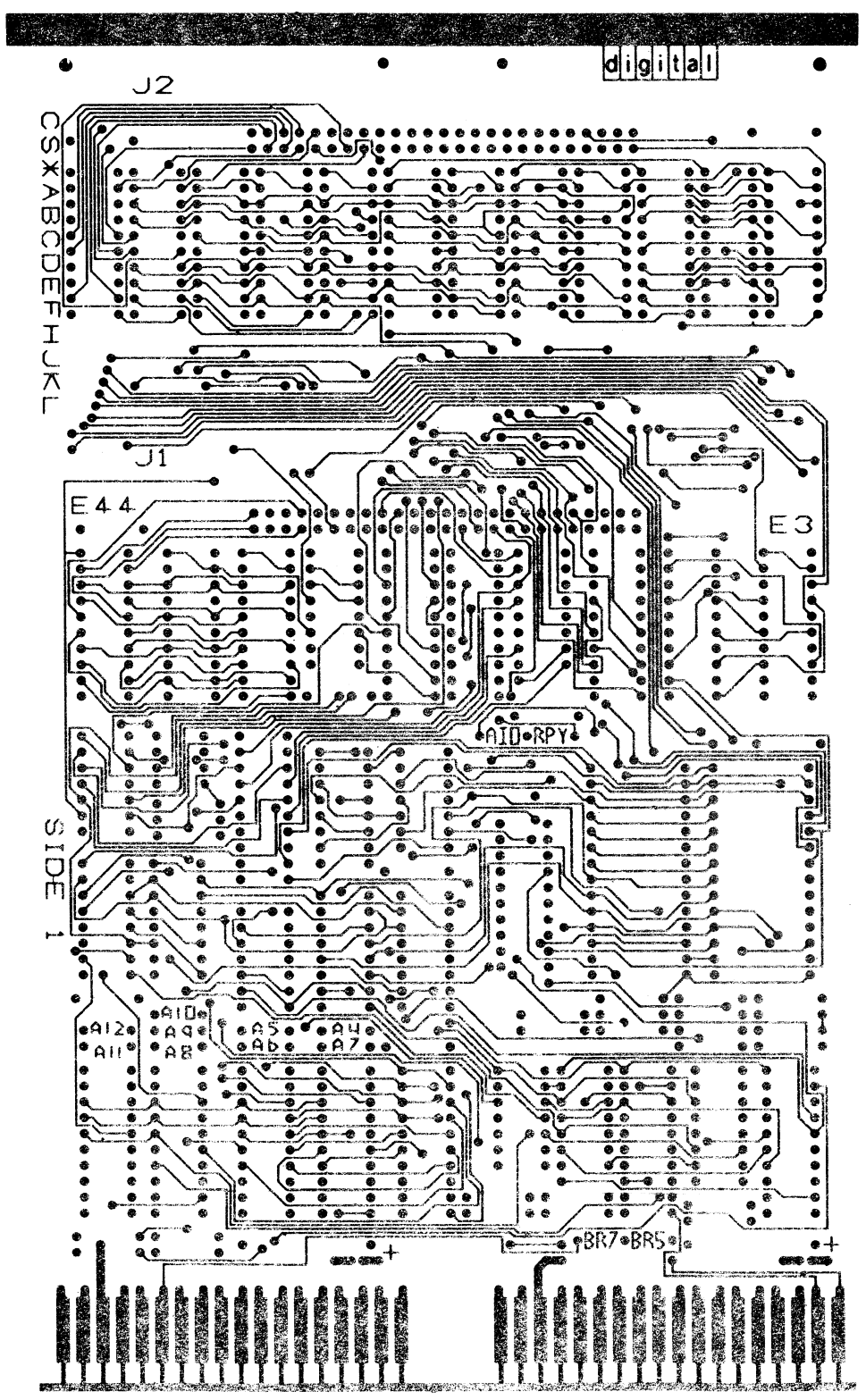
SIGNATURES		DATE	digital
DRN. <i>Ray Gausa</i>		6/16/79	
CHK'D. <i>[Signature]</i>		6/16/79	TITLE DRVII J
MECH. ENG. <i>[Signature]</i>		2-25-79	
PROD. <i>[Signature]</i>		8-2-79	SIZE CODE NUMBER REV D U A M 8 0 4 9 - 0 - 0 1 A
SCALE			
SHT. 1 OF 5			
NEXT HIGHER REV. B 00-M8049-0			

D U A M 8 0 4 9 - 0 - 0 1 A

"THIS DRAWING AND SPECIFICATIONS HEREIN ARE THE PROPERTY OF DIGITAL EQUIPMENT CORPORATION AND SHALL NOT BE REPRODUCED OR COPIED OR USED IN WHOLE OR IN PART AS THE BASIS FOR THE MANUFACTURE OR SALE OF ITEMS WITHOUT WRITTEN PERMISSION. COPYRIGHT © 1979 DIGITAL EQUIPMENT CORPORATION"

D
C
B
A

D
C
B
A

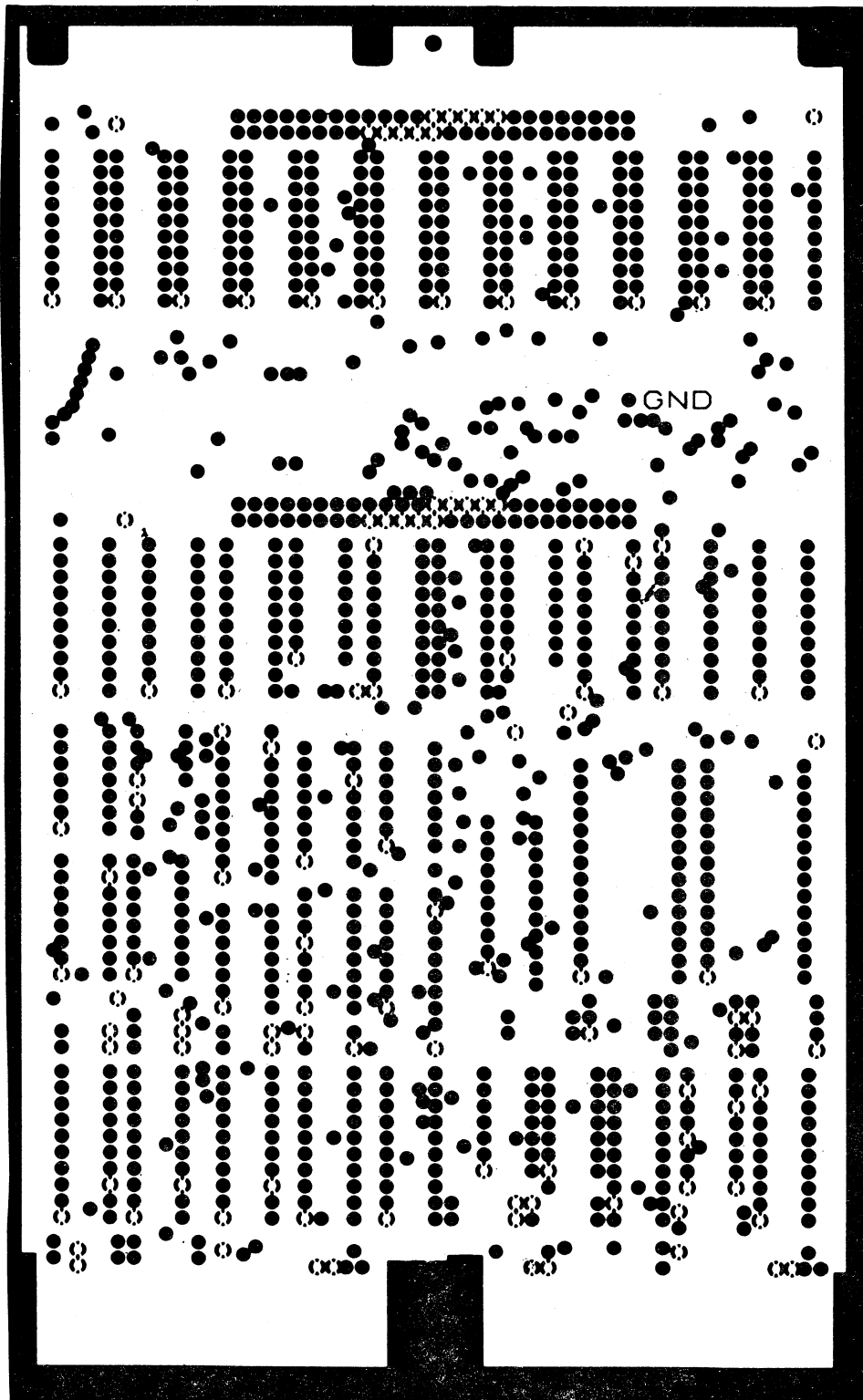


REVISIONS		
CHK	CHANGE NO	REV.

TITLE	DRV II - J	SIZE CODE	DJA	NUMBER	M8049 0-0	REV.	A
SCALE	2/1	SHEET	2	OF	5	DIST.	

THIS DRAWING AND SPECIFICATIONS HEREIN ARE THE PROPERTY OF DIGITAL EQUIPMENT CORPORATION AND SHALL NOT BE REPRODUCED OR COPIED OR USED IN WHOLE OR IN PART AS THE BASIS FOR THE MANUFACTURE OR SALE OF ITEMS WITHOUT WRITTEN PERMISSION. COPYRIGHT © 1979 DIGITAL EQUIPMENT CORPORATION

0-0-6708W 2



D
C
B
A

D
C
B
A

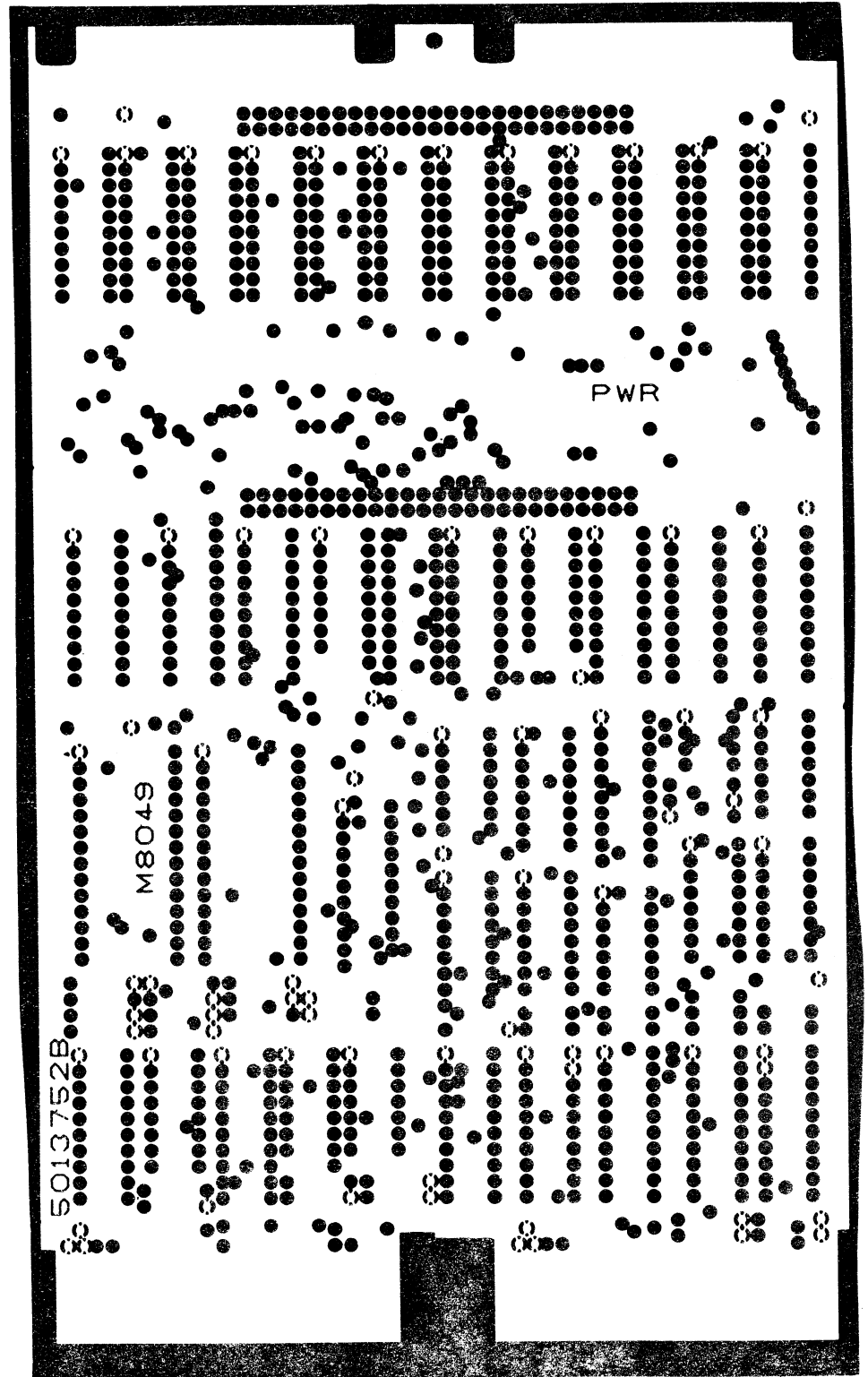
REVISIONS		
CHK	CHANGE NO.	REV.

TITLE	DRV II - J	SIZE CODE	D UA	NUMBER	M8049-0-0	REV.	A
SCALE	2/1	SHEET	3	OF	5	DIST.	

8 7 6 5 4 3 2 1

DUA M8049-0-0 A

THIS DRAWING AND SPECIFICATIONS, HEREIN, ARE THE PROPERTY OF DIGITAL EQUIPMENT CORPORATION AND SHALL NOT BE REPRODUCED OR COPIED OR USED IN WHOLE OR IN PART AS THE BASIS FOR THE MANUFACTURE OR SALE OF ITEMS WITHOUT WRITTEN PERMISSION. COPYRIGHT © 1979 DIGITAL EQUIPMENT CORPORATION



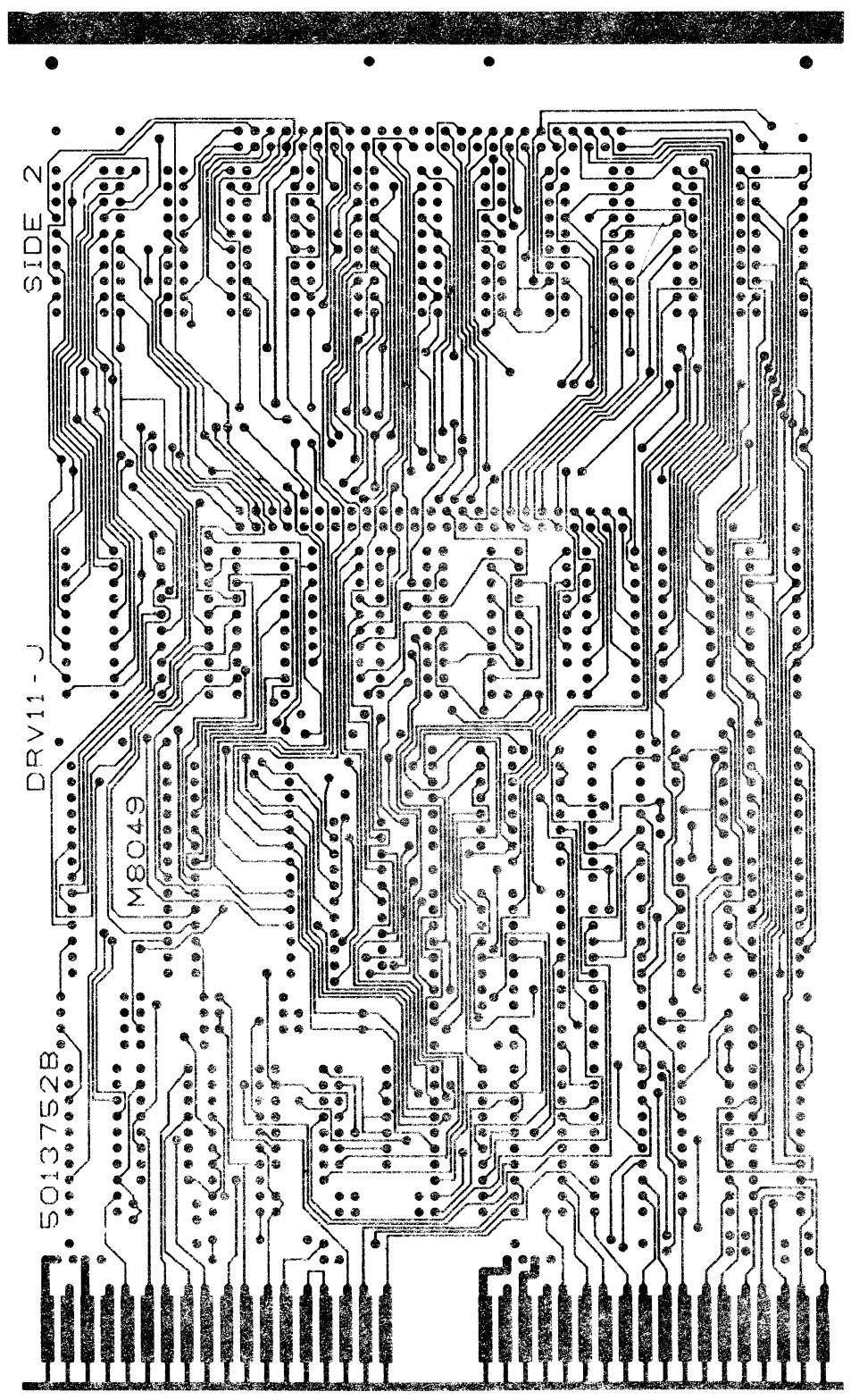
D
C
B
A

D
C
B
A

REVISIONS		
CHK	CHANGE NO.	REV.

"THIS DRAWING AND SPECIFICATIONS, HEREIN, ARE THE PROPERTY OF DIGITAL EQUIPMENT CORPORATION AND SHALL NOT BE REPRODUCED OR COPIED OR USED IN WHOLE OR IN PART AS THE BASIS FOR THE MANUFACTURE OR SALE OF ITEMS WITHOUT WRITTEN PERMISSION. COPYRIGHT © 1975 DIGITAL EQUIPMENT CORPORATION"

0-0-6708A 2



D
C
B
A

D
C
B
A

REVISIONS		
CHK	CHANGE NO	REV.

TITLE: DRV 11 - J
 SCALE: 2/1
 SHEET: 5 OF 5
 SIZE CODE: D U A
 NUMBER: M8049-0-0
 DIST: A

8 7 6 5 4 3 2 1

LINE ITEM	DOCUMENT NUMBER	PART NUMBER	DESCRIPTION	QTY PER VARIATION	REFERENCE DESIGNATOR
				00	
1	D-MD-5013752-0-0	5013752-00	ETCH BOARD FOR M8049	1	
2		1005306-00	6.8MFD 35V 10% S.TANT	2	C4,C5
3		1012784-00	.047 MFD 50V -20+80 CER	13	C6-C18
4		1013466-07	220.0 MMF 50V 5% CER.	2	C1,C2
5		1013466-08	680.0 MMF 50V 10% CER.	1	C3
6		1209941-07	HEADER.100 50POS RT ANGLE	2	J1,J2
7		1213543-01	HANDLE,UNIBUS MODULE,MAGENTA	1	
8		1215899-00	CLIP,JUMPER GOLD/TIN	6	W2,W7-W11
9		1215901-00	CONN 36POS STRAIGHT	1	
10		1300295-06	330 1/4W 5% CC	2	R1,R2
11		1301424-00	680 1/4W 5% CC	2	R3,R4
12		1304856-00	4.64 K 1/4W 1% RN55D-F 100PPM	2	R5,R6
13		1300447-00	4.7 K 1/4W 5% CC	5	R8-R12
14		1311003-01	R NETWORK 14-180 14-390	1	E16
15		1911579-00	8641 TRANSCEIVER,BUS,QUA	1	E5
16		1912646-00	LS253 MUX 1 OF 4 (DUAL)	1	E42
17		1912729-00	DC 004 PROTOCOL,REG. SELECT	1	E1
18		1912799-00	LS00 NAND-GATE-QUAD 2IN,P	2	E22,E43
19		1912801-00	LS02 NOR-GATE-QUAD 2IN	1	E31
20		1912803-00	LS04 INVERTER GATE-HEX 11	1	E13
21		1912820-00	LS51 A-O-I GATE 2-WIDE 2I	1	E14
22		1912843-00	LS139 DECODER, 2 OF 4(DUAL)	1	E28
23		1912853-00	LS175 FF-D QUAD	1	E26
24		1912860-00	LS259 LATCH 8BIT	2	E21,E37
25		1912864-00	LS279 LATCH,QUAD-S-R	1	E27
26		1913040-00	DC 005 TRANSCEIVER 4BIT	4	E25,E30,E36,E41
27		1913493-00	74S241 OCTAL BUFFER,TRI-STA	1	E23
28		1913777-00	LS240 DRIVER,LINE,OCTAL,T	1	E32
29		1914214-00	LS374 FF-D OCTAL EDGE TRIG	8	E7,E8,E17,E24,E35,E40,E44,E45
30		1915193-00	LS244 DRIVER,LINE,OCTAL,T	12	E3,E4,E6,E11,E12,E15,E19,E20

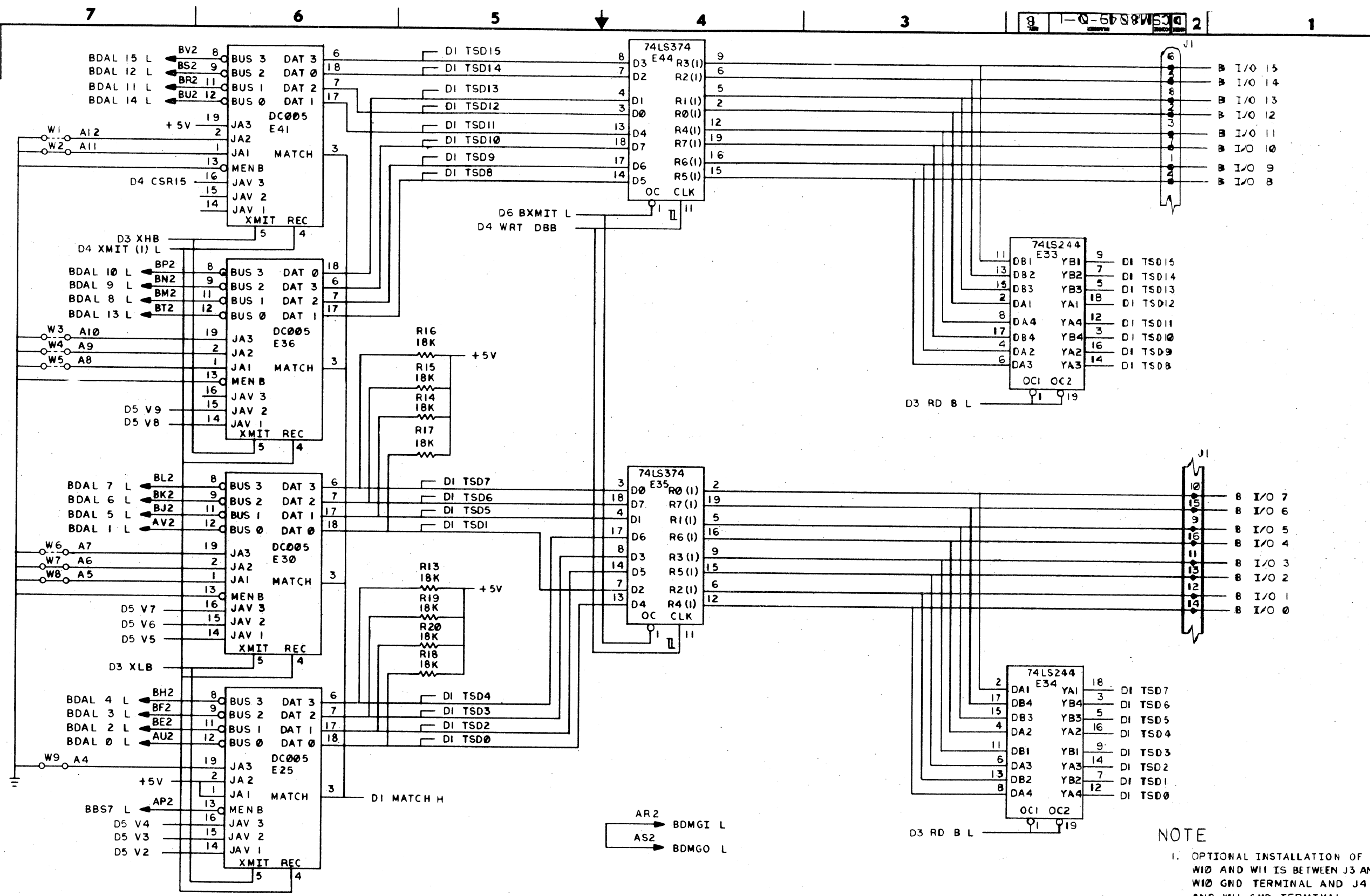
REVISION HISTORY		BASIC PART NO: M8049		DRN:	A. KRAMIECKI	DATE:	08-JUN-79	DIGITAL			
ENG:	ECO NUMBER	REV	SECTION A OF A	CHK'D:	KENT GLEEZEN	DATE:	26-JUL-79	TITLE	PARTS LIST		
	INITIAL	A	SECTION VARIATION INDEX						DRV11-J		
			[A] 00								
			[B]								
			[C]	DES.ENG:	R. HULTMAN	DATE:	26-JUL-79				
			[D]								
			[E]								
			[F]	RESP.ENG.:	RICH HULTMAN	DATE:	26-JUL-79		DOCUMENT NUMBER		
			[G]								
			[H]								
			[J]					SIZE	CODE	NUMBER	REV
			[K]	MPG.ENG.:	AL JOHNS	DATE:	26-JUL-79	K	PL	M8049-0-DRP	A
			[L]								
			[M]	ASSEMBLY NUMBER:		TOP DOCUMENT NUMBER:		FILE NAME:	ED11		
			[N]	D-UA-M8049-0-0				20222.PLS	10		

"THIS DRAWING AND SPECIFICATIONS HEREIN, ARE THE PROPERTY OF DIGITAL EQUIPMENT CORPORATION AND SHALL NOT BE REPRODUCED OR COPIED OR USED IN WHOLE OR IN PART AS THE BASIS FOR THE MANUFACTURE OR SALE OF ITEMS WITHOUT WRITTEN PERMISSION. COPYRIGHT (C) 1979. DIGITAL EQUIPMENT CORPORATION"

LINE ITEM	DOCUMENT NUMBER	PART NUMBER	DESCRIPTION	QTY PER VARIATION 00	REFERENCE DESIGNATOR
					CONT E29,E33,E34,E39
31	32	1912730-00	DC 003 INTERRUPT,2 CIRCUIT	1	E9
32	33	2117004-00	AM9519PCUNIVERSAL INTERRUPT	2	E2,E10
33	34	9006732-00	EYELET, ROLLED FLANGE, .121 OD X	2	
34	37	1215006-04	SOCKET 20PIN IC LOW PROFILE	1	XE9
35	38	1910406-00	75451 DRIVER,PERIPH,DUAL,	1	E38
36	39	1304855-00	9.09 K 1/4W 1% RN55D-F 100PPM	1	R7
37	40	1302465-00	18 K 1/4W 5% CC	8	R13-R20

! D ! I ! G ! I ! T ! A ! L !	! TITLE	! SECTION A OF A	! SIZE ! CODE !	! DOCUMENT NUMBER	! REV !
	DRV11-J		K ! PL !	M8049-0-DBP	A

"THIS DRAWING AND SPECIFICATIONS, HEREIN, ARE THE PROPERTY OF DIGITAL EQUIPMENT CORPORATION AND SHALL NOT BE REPRODUCED OR COPIED IN WHOLE OR IN PART AS THE BASIS FOR THE MANUFACTURE OR SALE OF ITEMS WITHOUT WRITTEN PERMISSION. COPYRIGHT © 1979, DIGITAL EQUIPMENT CORPORATION"

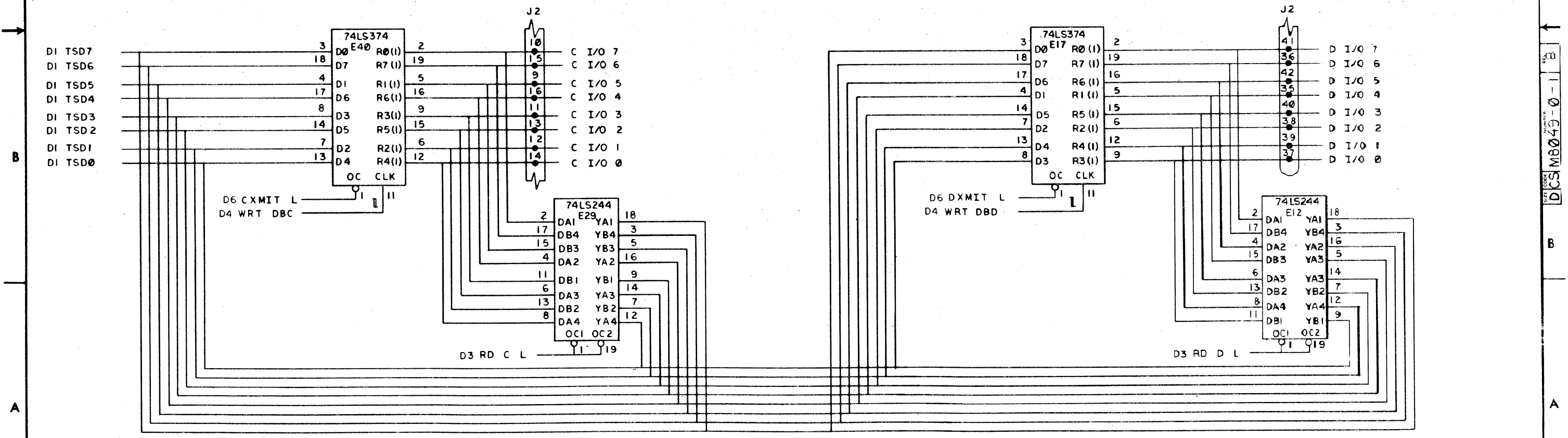
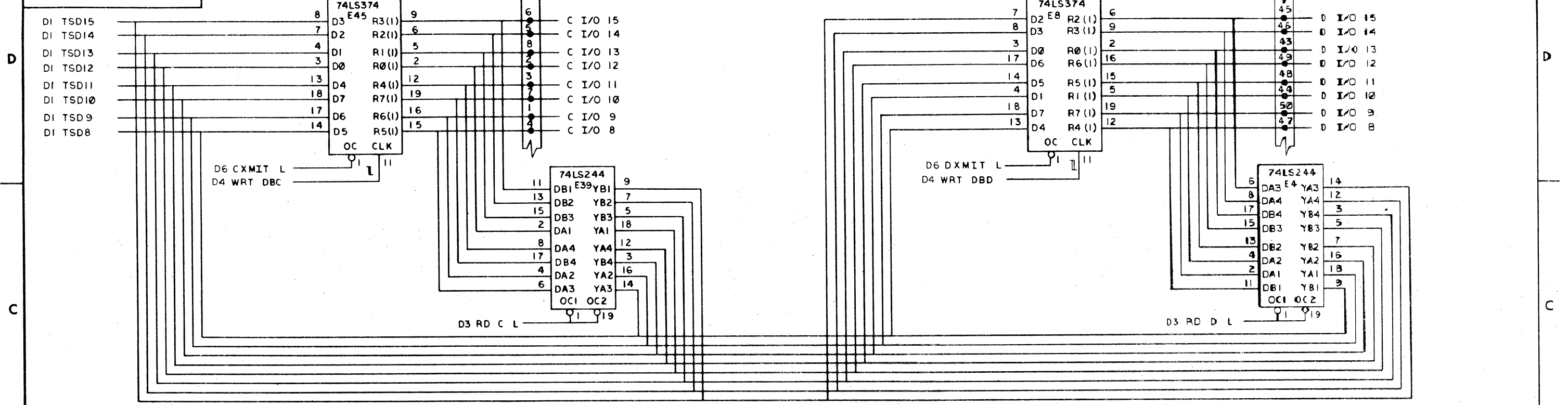


NOTE
 1. OPTIONAL INSTALLATION OF W10 AND W11 IS BETWEEN J3 AND W10 GND TERMINAL AND J4 AND W11 GND TERMINAL.

REV.	REV.
1	B
2	A

DRN	3-79	FIRST USED ON	11-03	digital
CHK'D	3-79	TITLE		
ENG.	3-79			
PROJ. ENG.	3-79			
PROD.	3-79			
NEXT HIGHER ASSY.				
B-DD-M8049-0	SIZE CODE	NUMBER	(DI)	
SCALE	D CS	M8049-0-1	REV. B	
SHEET 1 OF 6	DIST.			

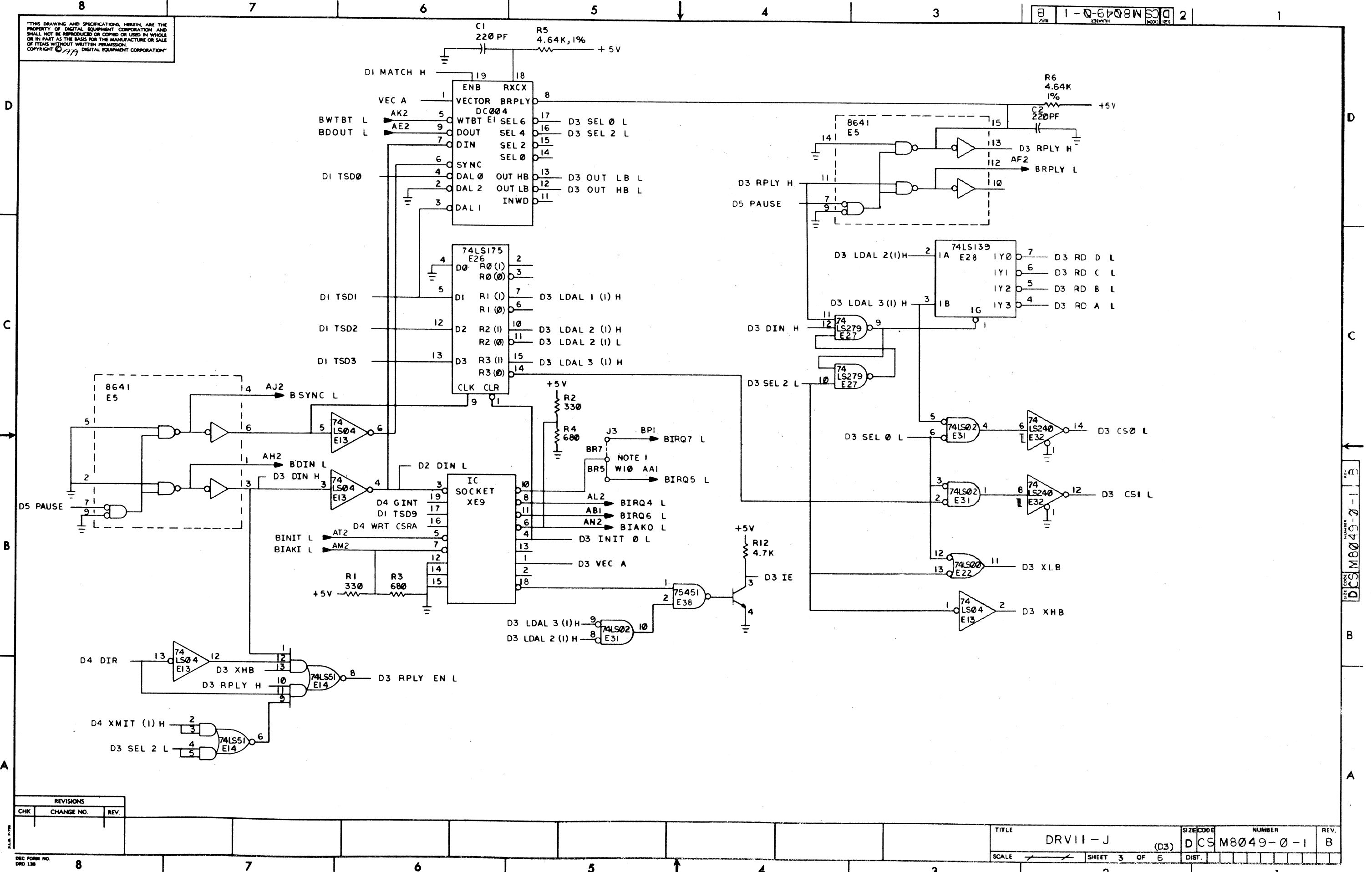
"THIS DRAWING AND SPECIFICATIONS, HEREIN, ARE THE PROPERTY OF DIGITAL EQUIPMENT CORPORATION AND SHALL NOT BE REPRODUCED OR COPIED OR USED IN WHOLE OR IN PART AS THE BASIS FOR THE MANUFACTURE OR SALE OF ITEMS WITHOUT WRITTEN PERMISSION. COPYRIGHT © 1977 DIGITAL EQUIPMENT CORPORATION"



REVISIONS		
CHK	CHANGE NO.	REV.

DCS M8049-0-1 B

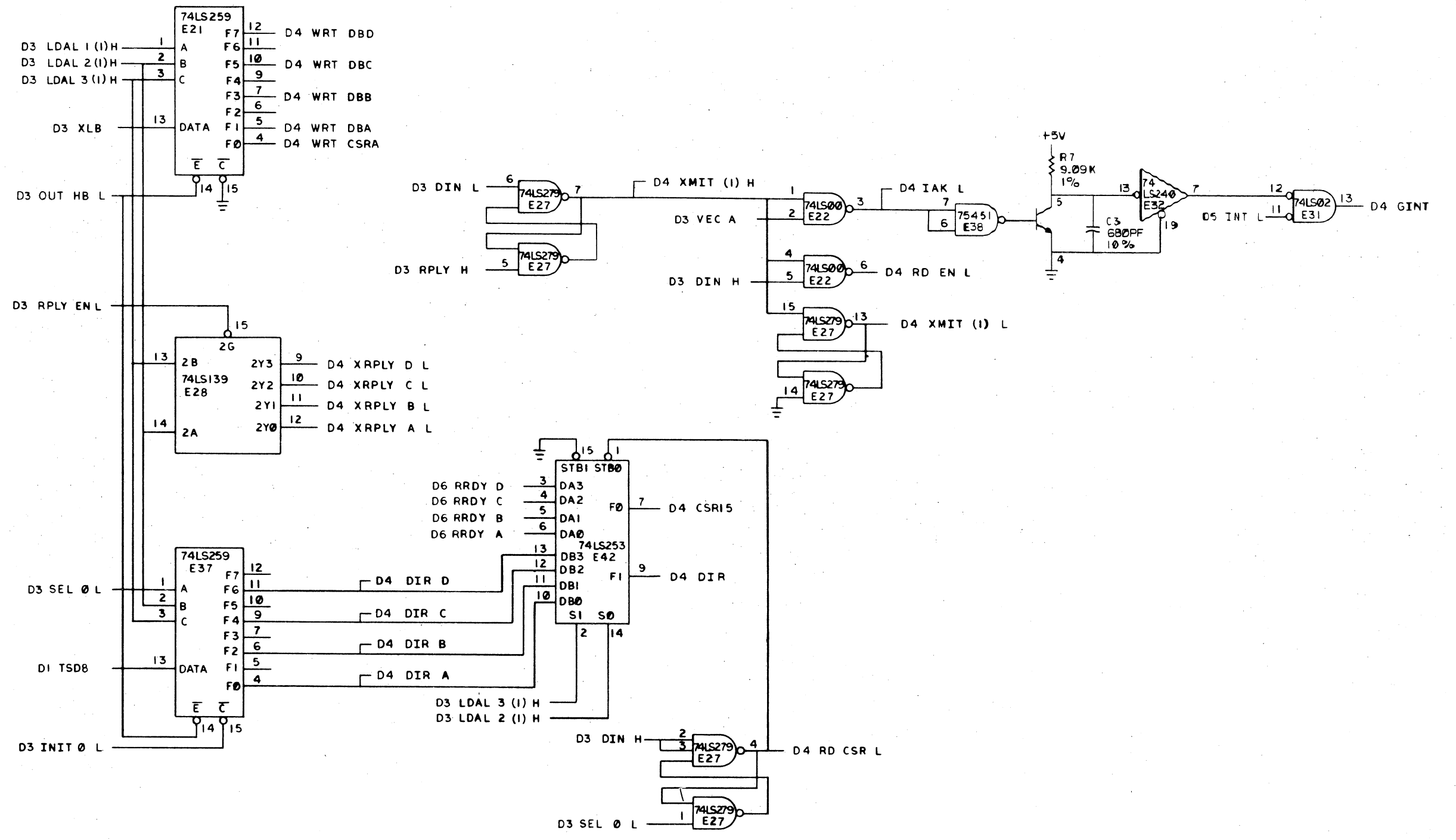
THIS DRAWING AND SPECIFICATIONS HEREIN ARE THE PROPERTY OF DIGITAL EQUIPMENT CORPORATION AND SHALL NOT BE REPRODUCED OR COPIED OR USED IN WHOLE OR IN PART AS THE BASIS FOR THE MANUFACTURE OR SALE OF ITEMS WITHOUT WRITTEN PERMISSION. COPYRIGHT © 1977 DIGITAL EQUIPMENT CORPORATION



REVISIONS		
CHK	CHANGE NO.	REV.

THIS DRAWING AND SPECIFICATIONS HEREIN ARE THE PROPERTY OF DIGITAL EQUIPMENT CORPORATION AND SHALL NOT BE REPRODUCED OR COPIED OR USED IN WHOLE OR IN PART AS THE BASIS FOR THE MANUFACTURE OR SALE OF ITEMS WITHOUT WRITTEN PERMISSION. COPYRIGHT © 1977 DIGITAL EQUIPMENT CORPORATION

1-0-6708N 2



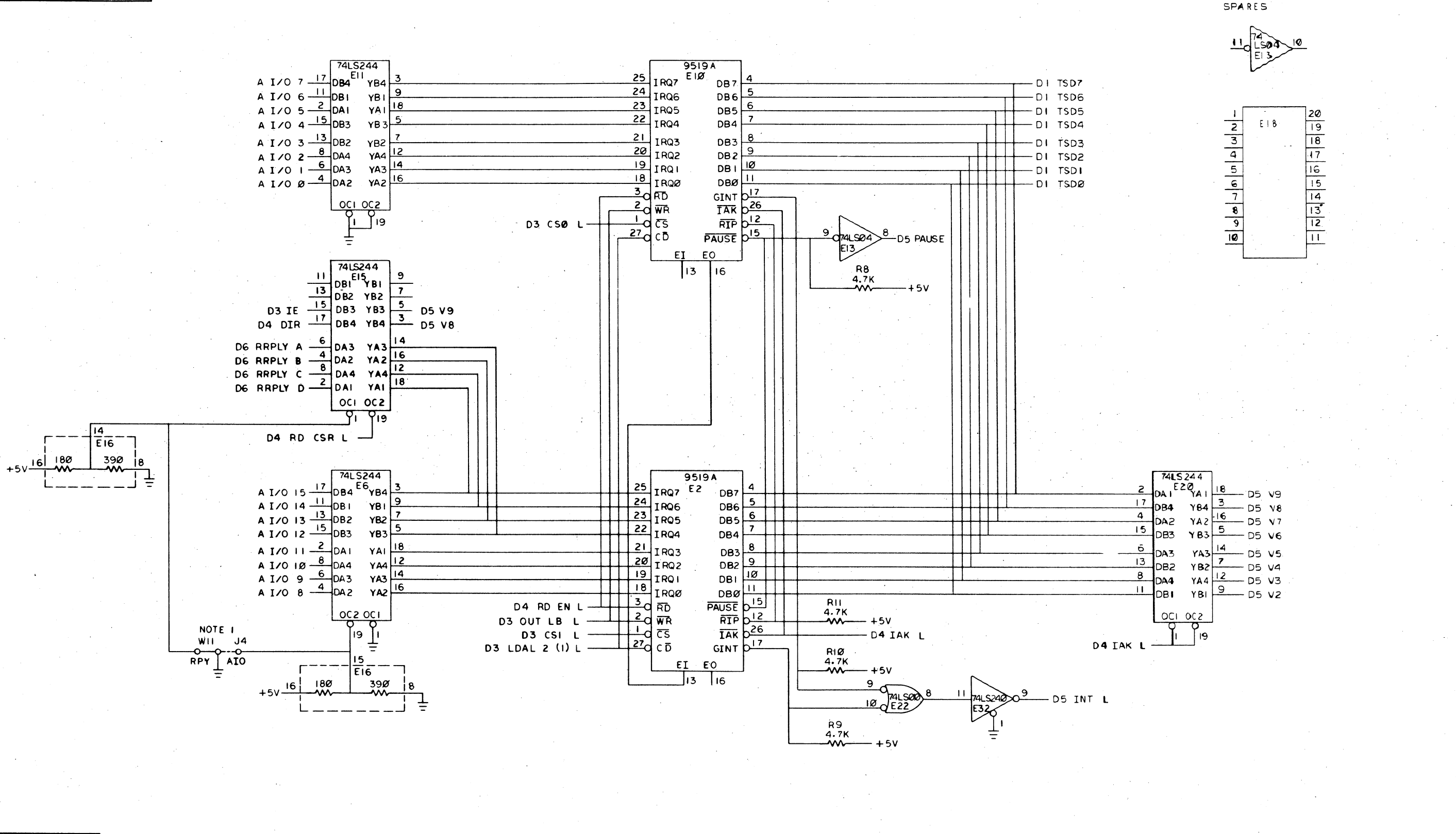
REVISIONS		
CHK	CHANGE NO.	REV.

REV. 10001 DCS M8049-0-1 B

"THIS DRAWING AND SPECIFICATIONS, HEREIN, ARE THE PROPERTY OF DIGITAL EQUIPMENT CORPORATION AND SHALL NOT BE REPRODUCED OR COPIED OR USED IN WHOLE OR IN PART AS THE BASIS FOR THE MANUFACTURE OR SALE OF ITEMS WITHOUT WRITTEN PERMISSION. COPYRIGHT © 1977 DIGITAL EQUIPMENT CORPORATION"

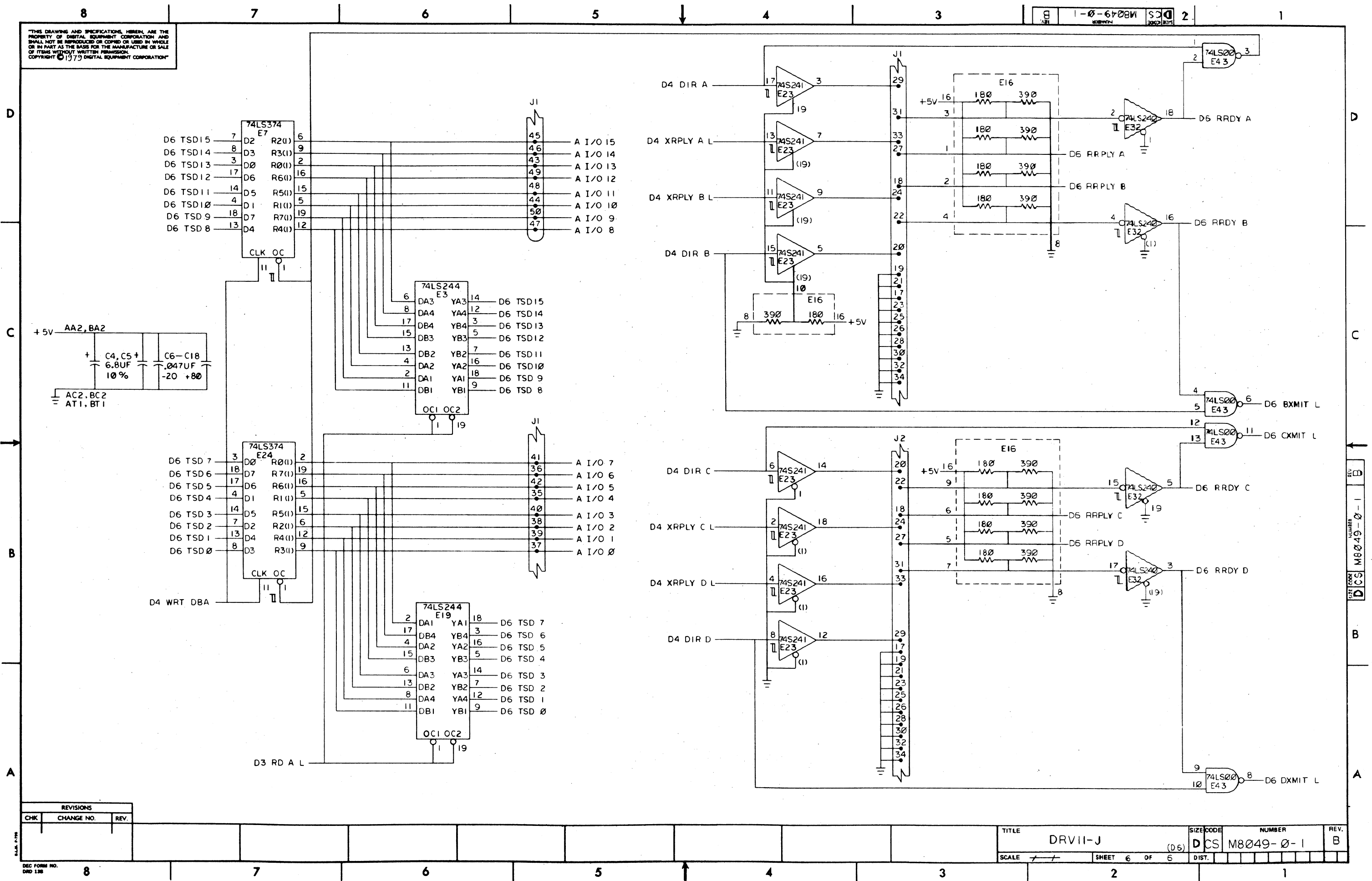
D
C
B
A

D
C
B
A



REVISIONS		
CHK	CHANGE NO.	REV.

"THIS DRAWING AND SPECIFICATIONS, HEREIN, ARE THE PROPERTY OF DIGITAL EQUIPMENT CORPORATION AND SHALL NOT BE REPRODUCED OR COPIED OR USED IN WHOLE OR IN PART AS THE BASIS FOR THE MANUFACTURE OR SALE OF ITEMS WITHOUT WRITTEN PERMISSION. COPYRIGHT © 1979 DIGITAL EQUIPMENT CORPORATION"



REVISIONS		
CHK	CHANGE NO.	REV.

REV. B
 NUMBER M8049-0-1
 SIZE CODE DCS