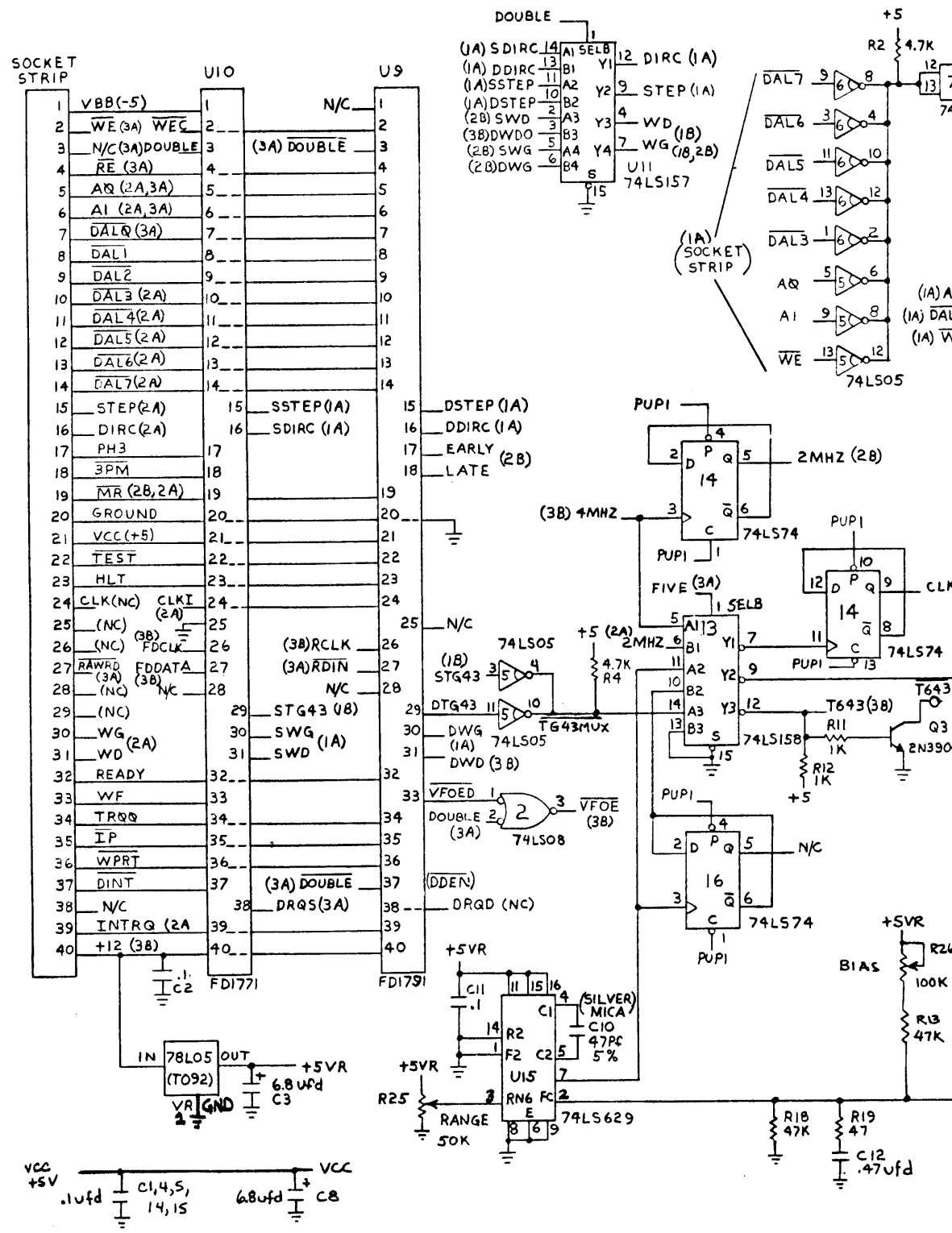
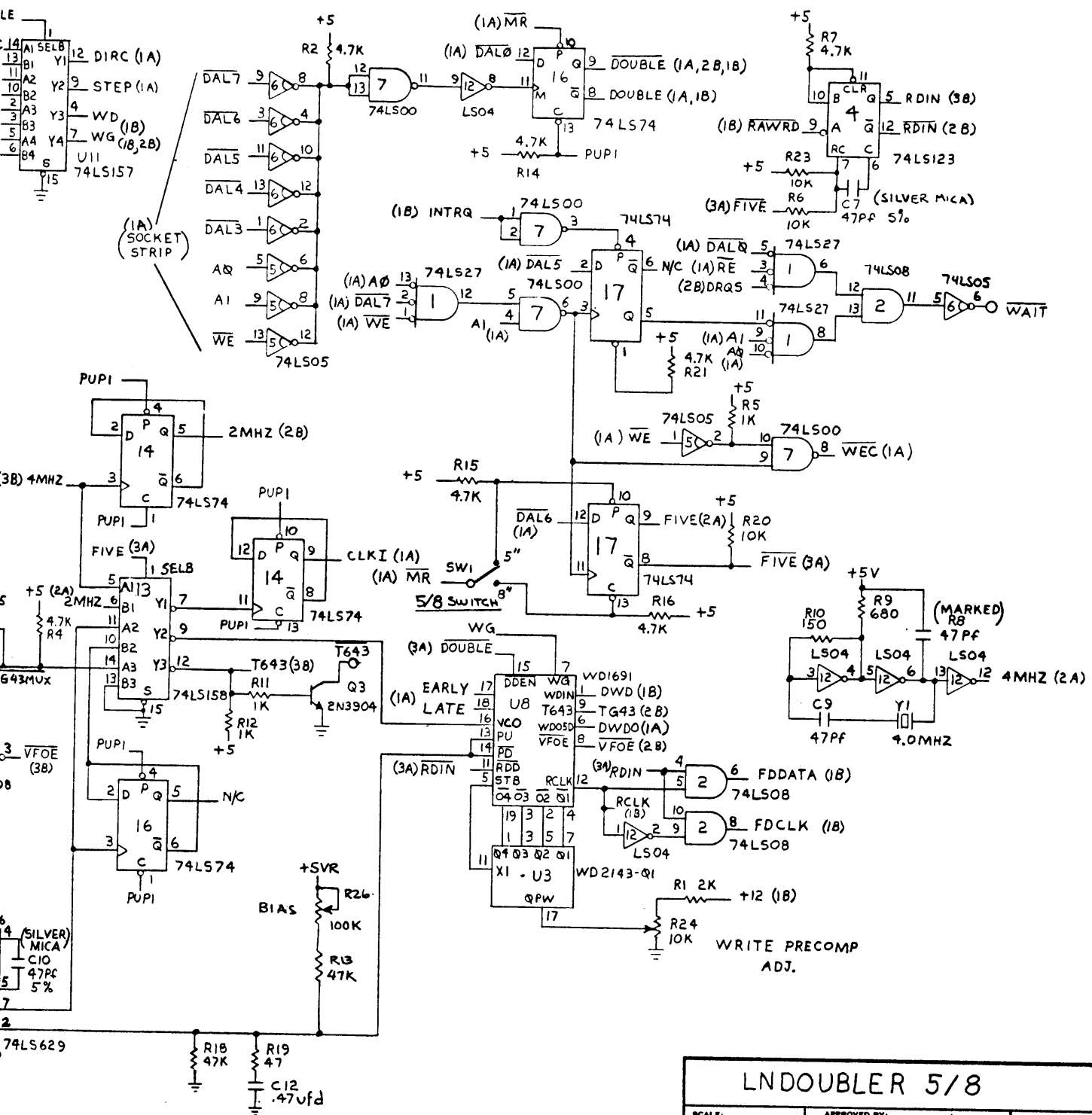


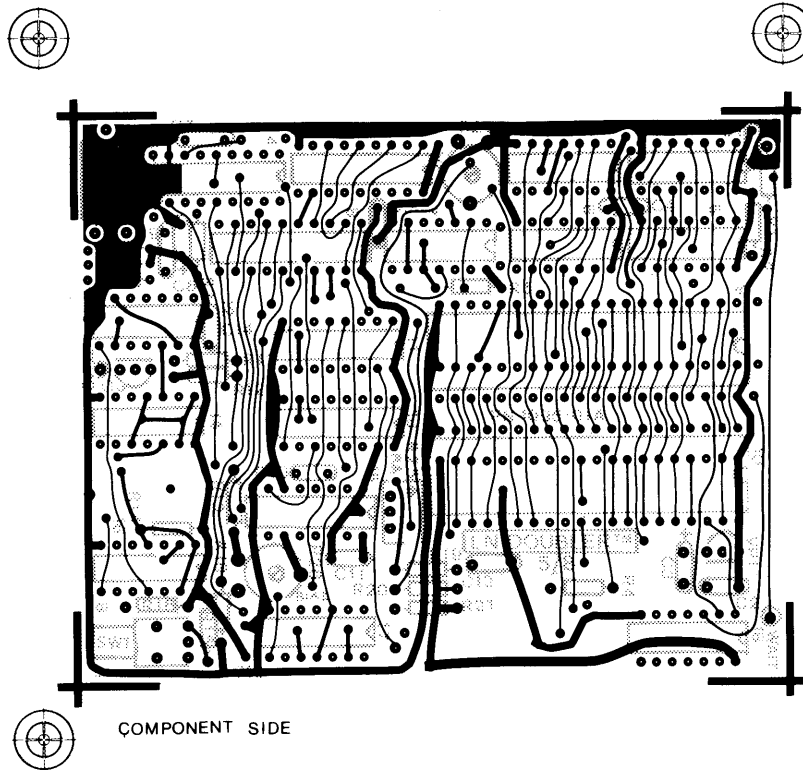
A

B



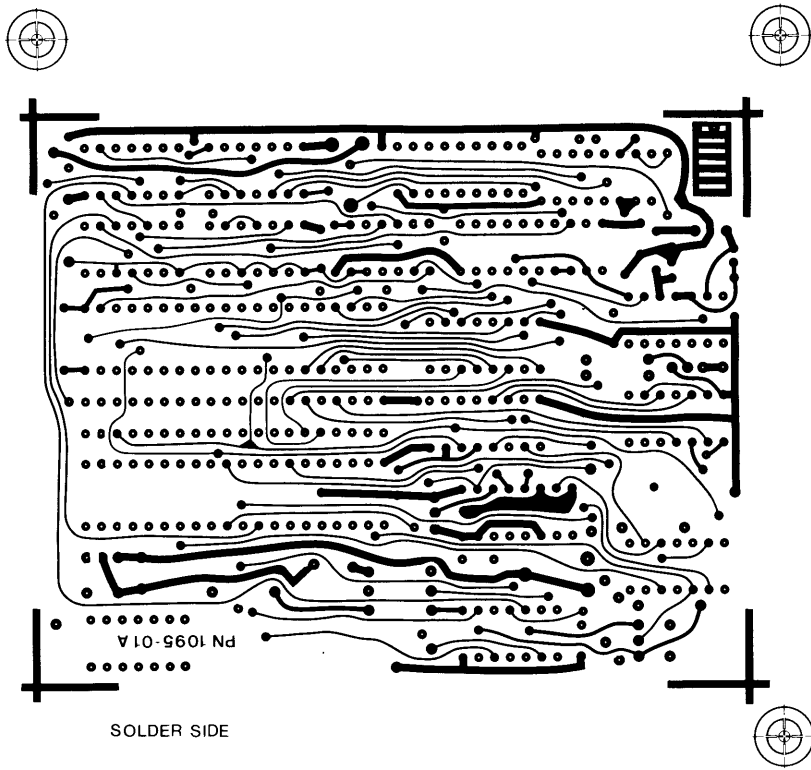


<b>LNDOUBLER 5/8</b>		
SCALE:	APPROVED BY: <i>K. Miller</i>	DRAWN BY R.H.
DATE: 5/13/82		REVISED
©1980 LNW RESEARCH CORP.		
DRAWING NUMBER		97066



COMPONENT SIDE

LNDOUBLER 5/8



INDOUBLER 5/8 PCB