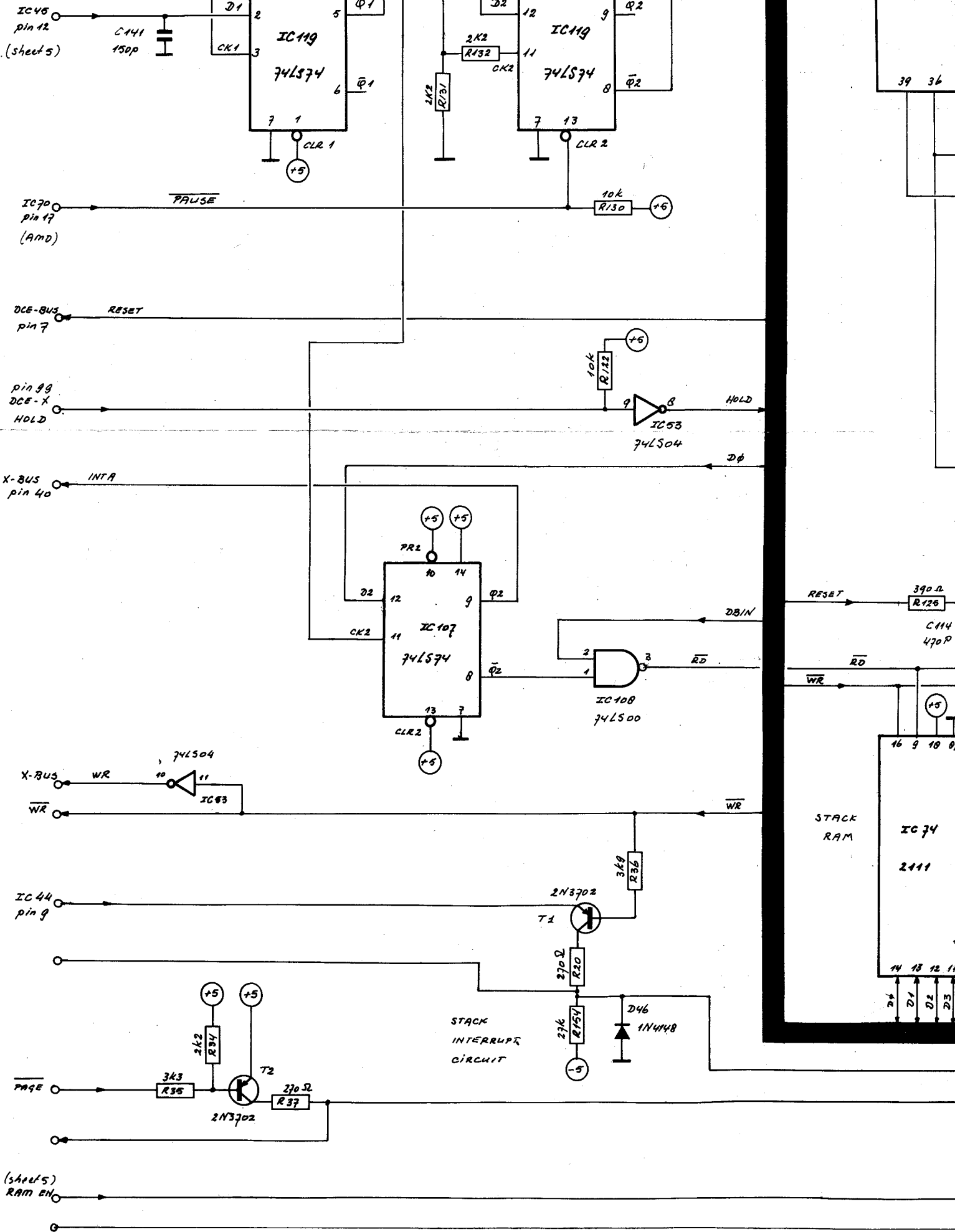
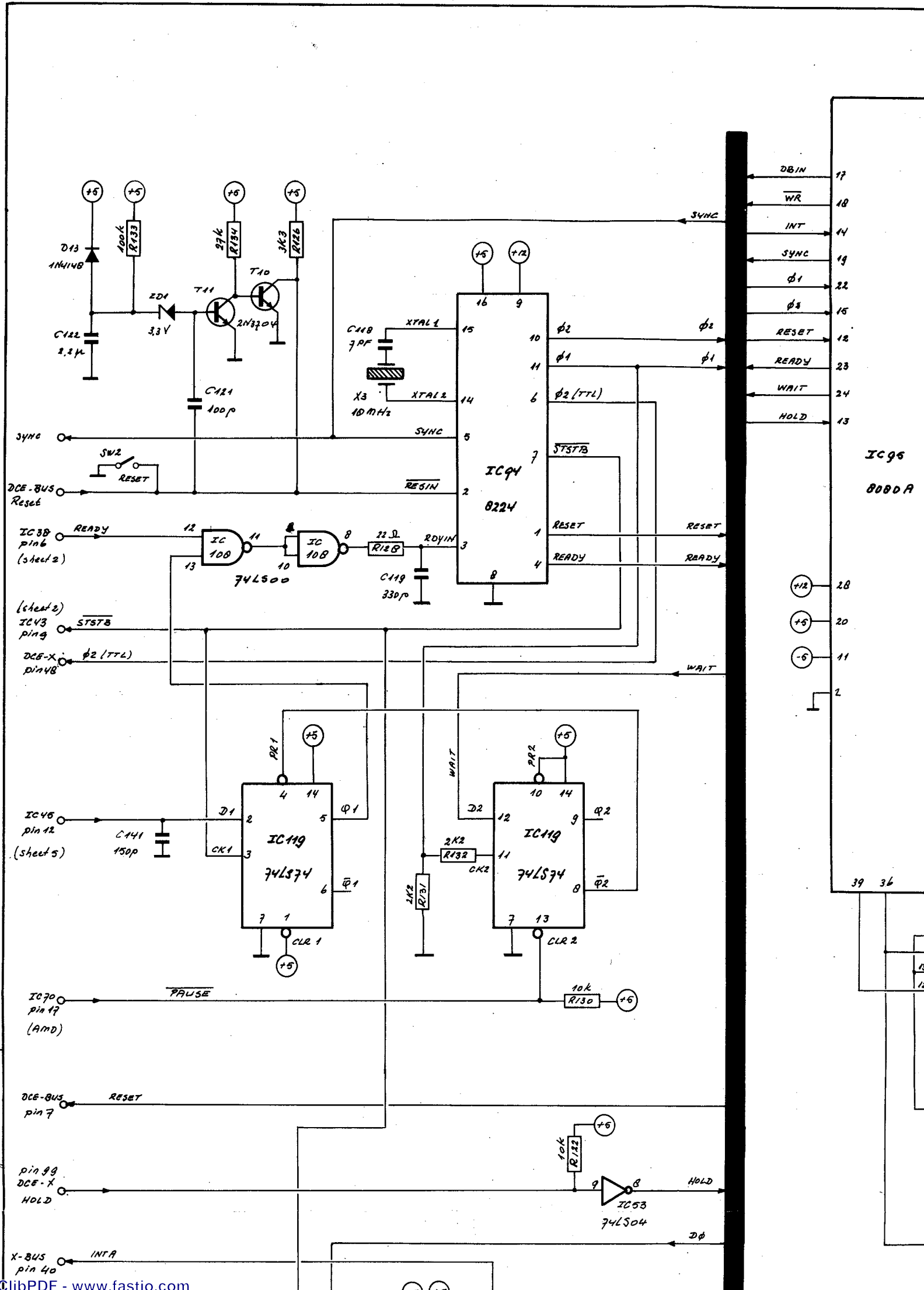


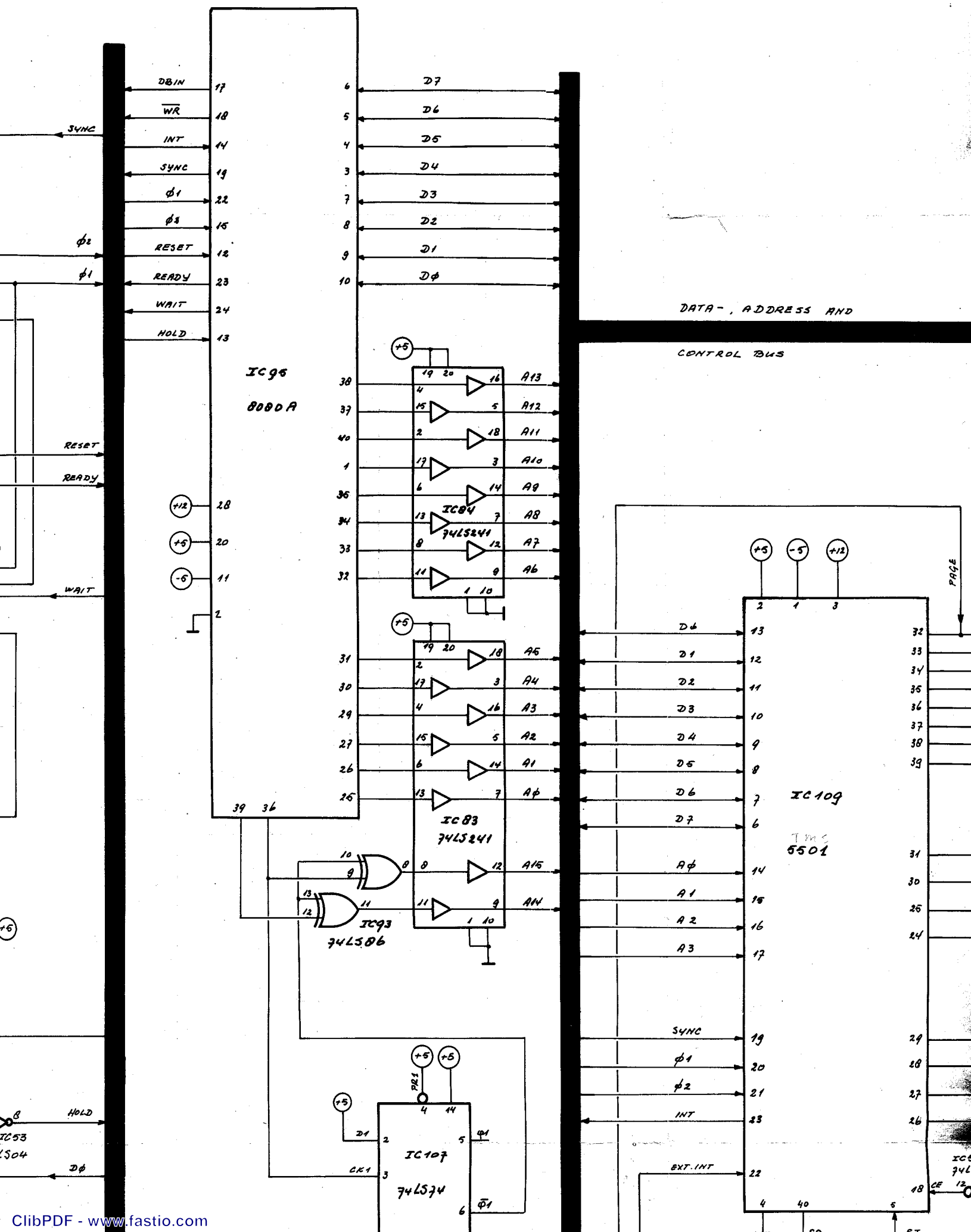
et 1

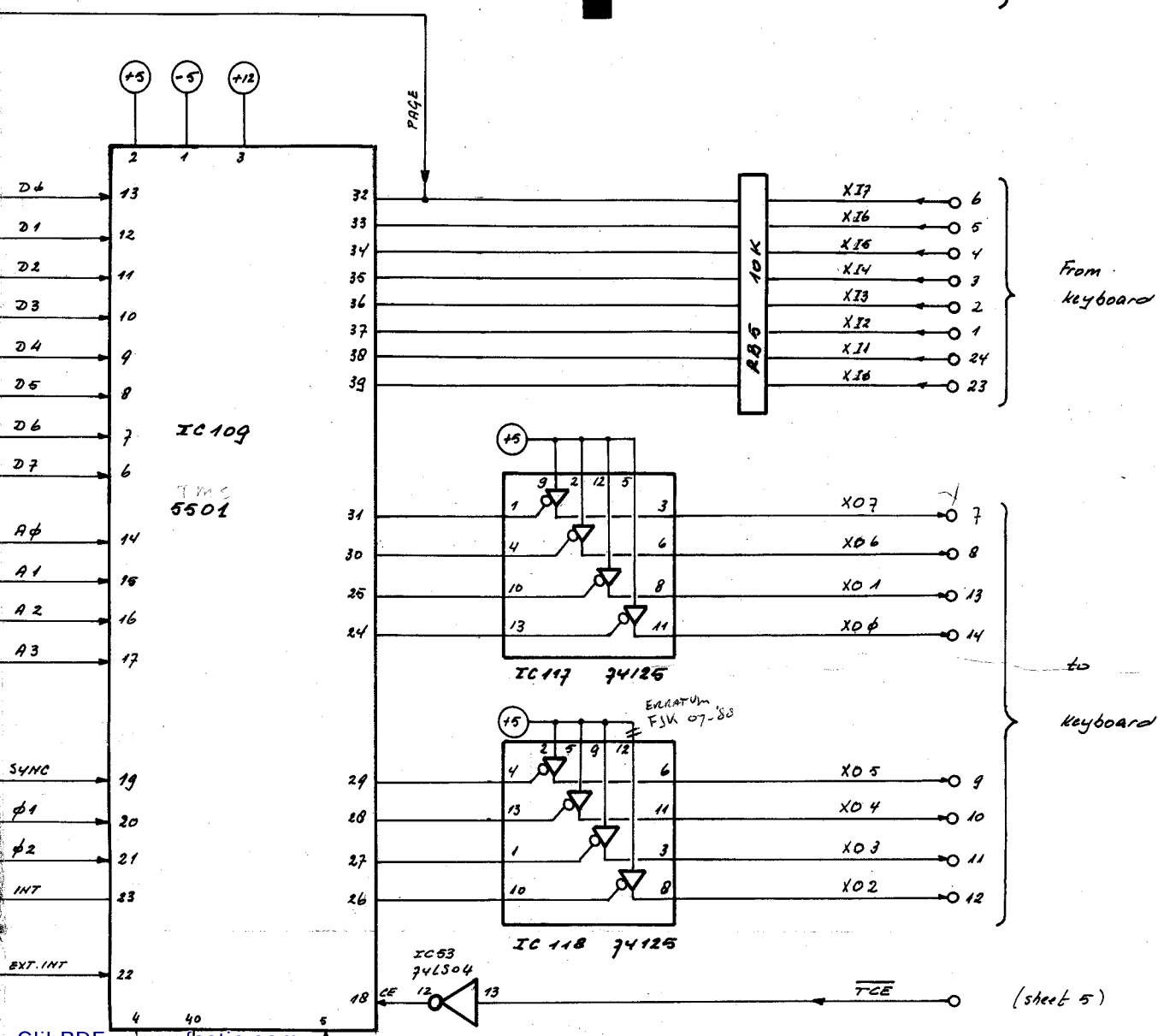
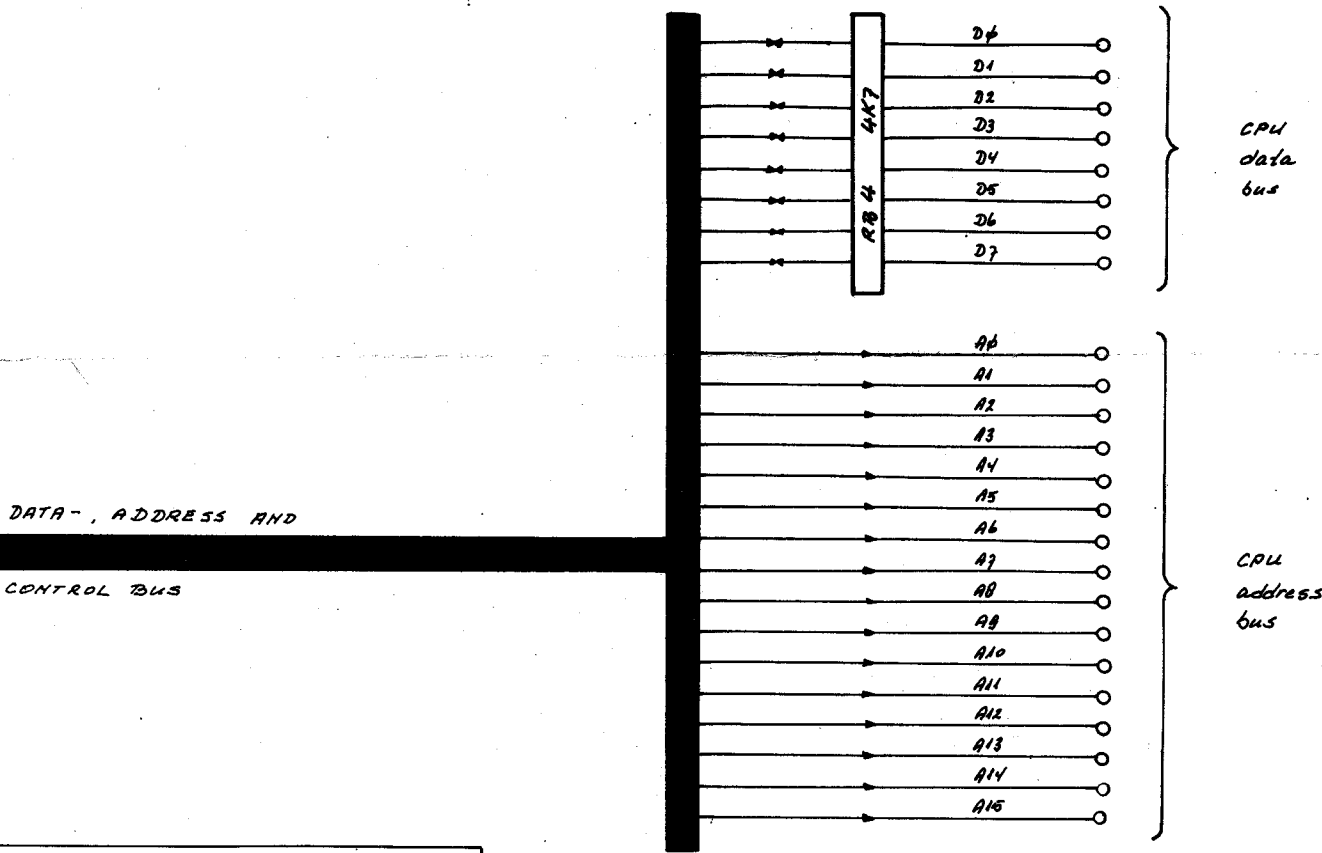
U

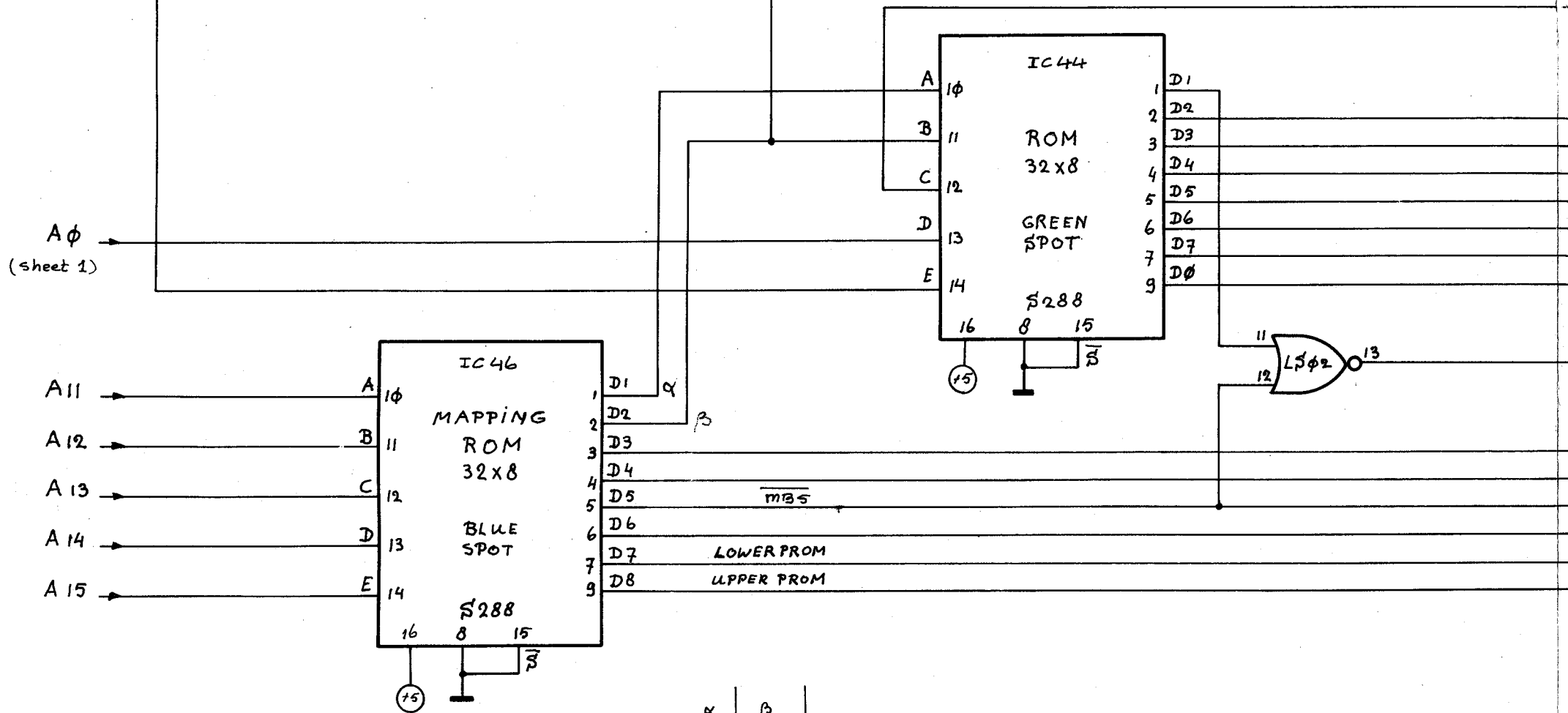




DB/IN	17
WR	18
INT	14
SYNC	19
φ1	22
φ2	15
RESET	12
READY	23
WAIT	24
HOLD	13
IC95	
8080A	
+12	28
+5	20
-5	11
GND	2

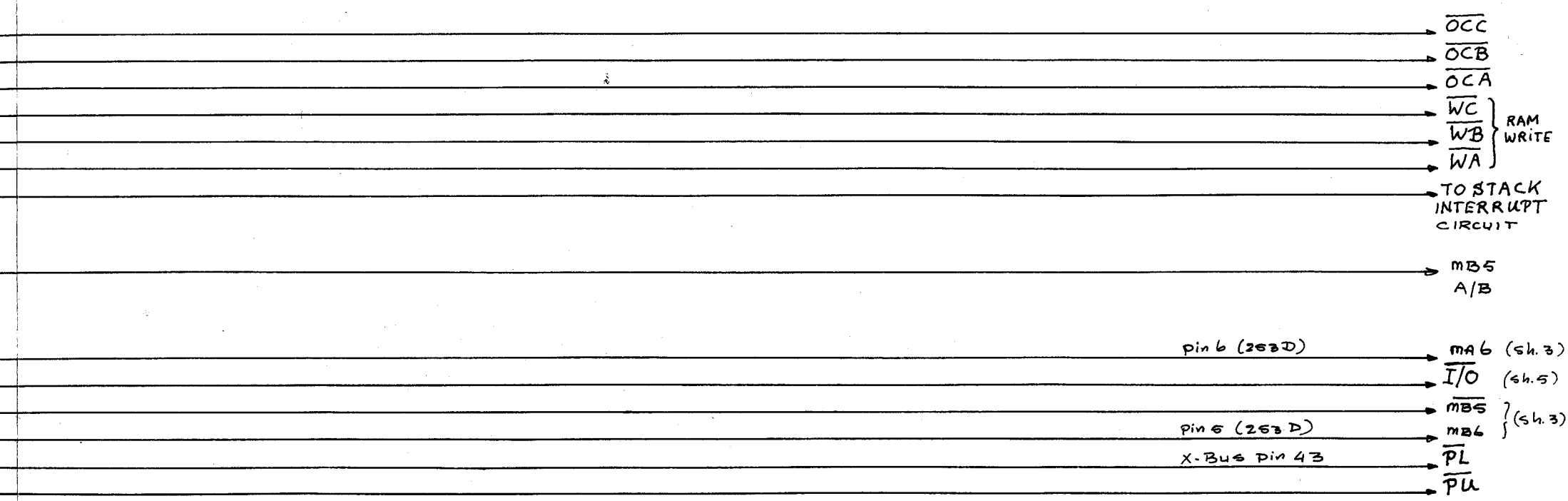
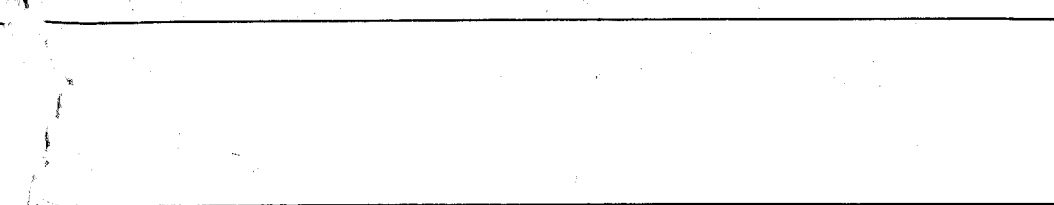






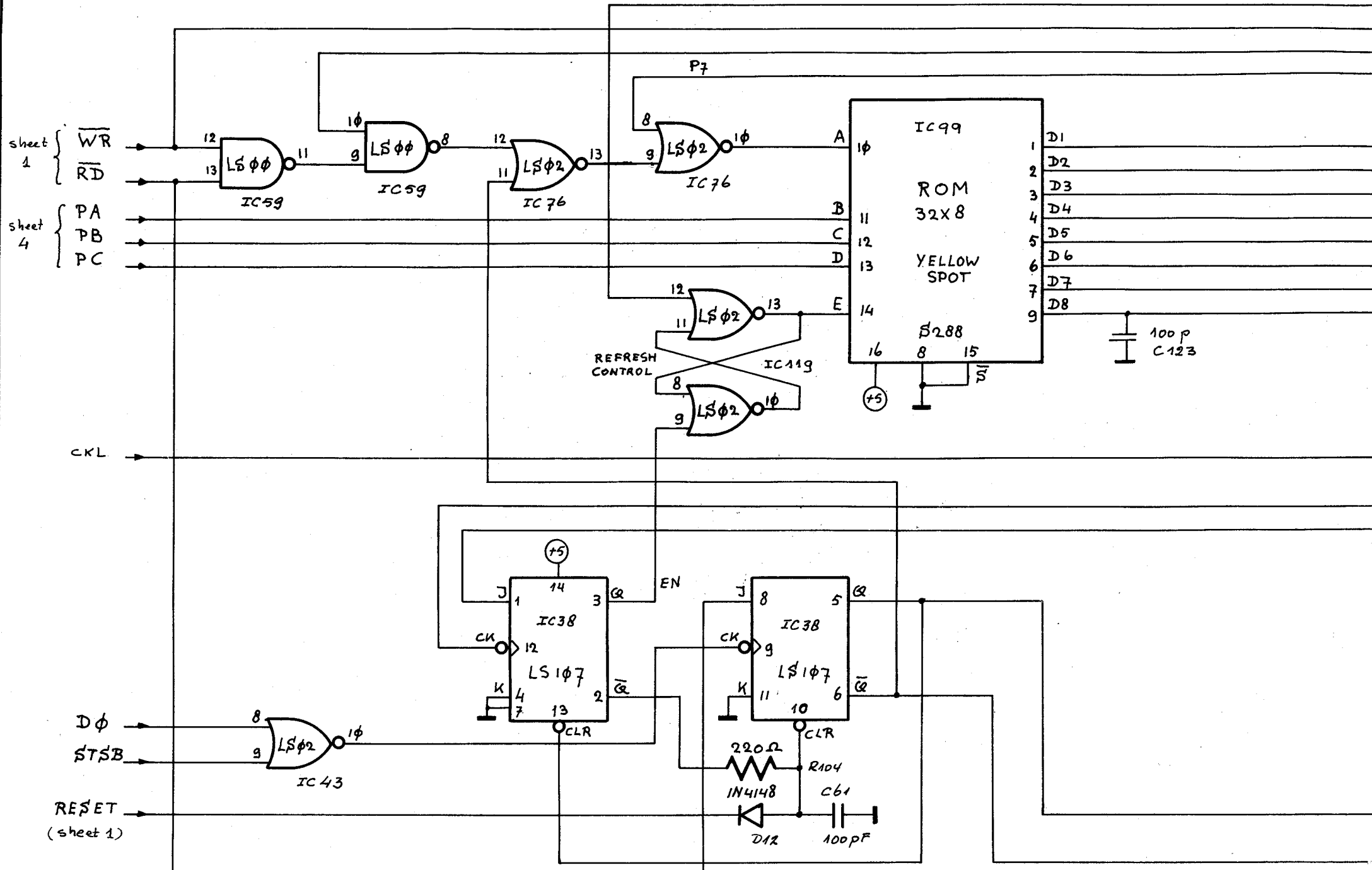
α	β	
ϕ	ϕ	\bar{A}/\bar{B}
1	ϕ	\bar{C} A ϕ drives ϕ 1
ϕ	1	NOT RAM
1	1	NOT RAM

NOTE : ALL IC'S TYPE 74XXX



RAM DRIVE	REV. 5
	sheet 2

DAINAMIC
PERSONAL COMPUTER USERS CLUB

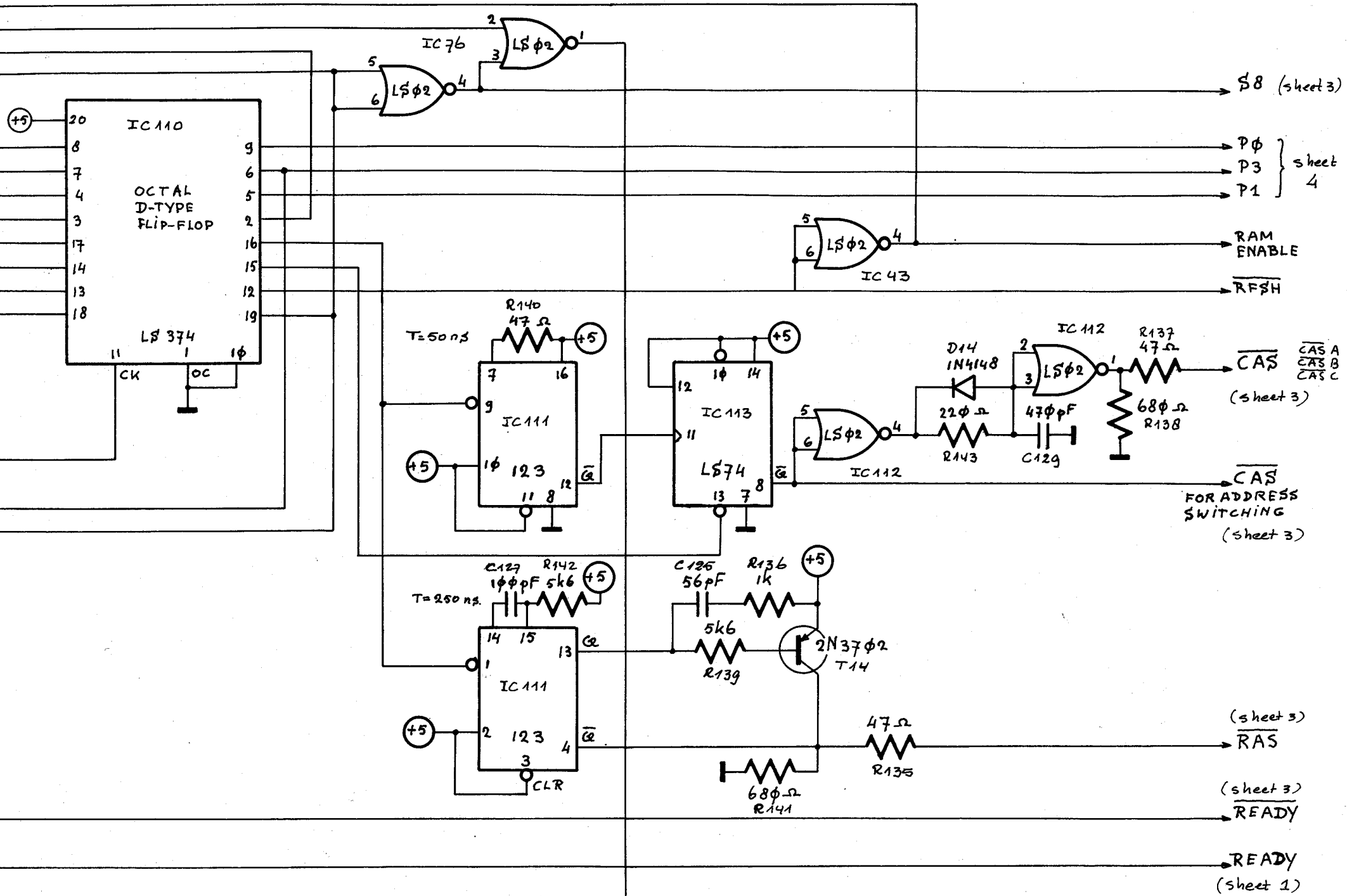


sheet 1
 \overline{WR}
 \overline{RD}
 sheet 4
 PA
 PB
 PC

CKL

$D\phi$
 $STSB$
 RESET
 (sheet 1)

100 p
 C123



A5 → MA4
 A11 → MB4
 MV4 → MC4
 MV10 → MD4
 A6 → MA5
 A12 or A13 → MB5
 MV6 → MC5
 MV11 → MD5

74LS253
 IC 67

74LS253
 IC 68

S8
 CAS for
 address switching

RAM EN

A13 → MA6
 A14 → MB6
 MV12 → MC6
 MV13 → MD6

74LS253
 IC 69

RFSH
 (strobe 2)

74LS393
 IC 104

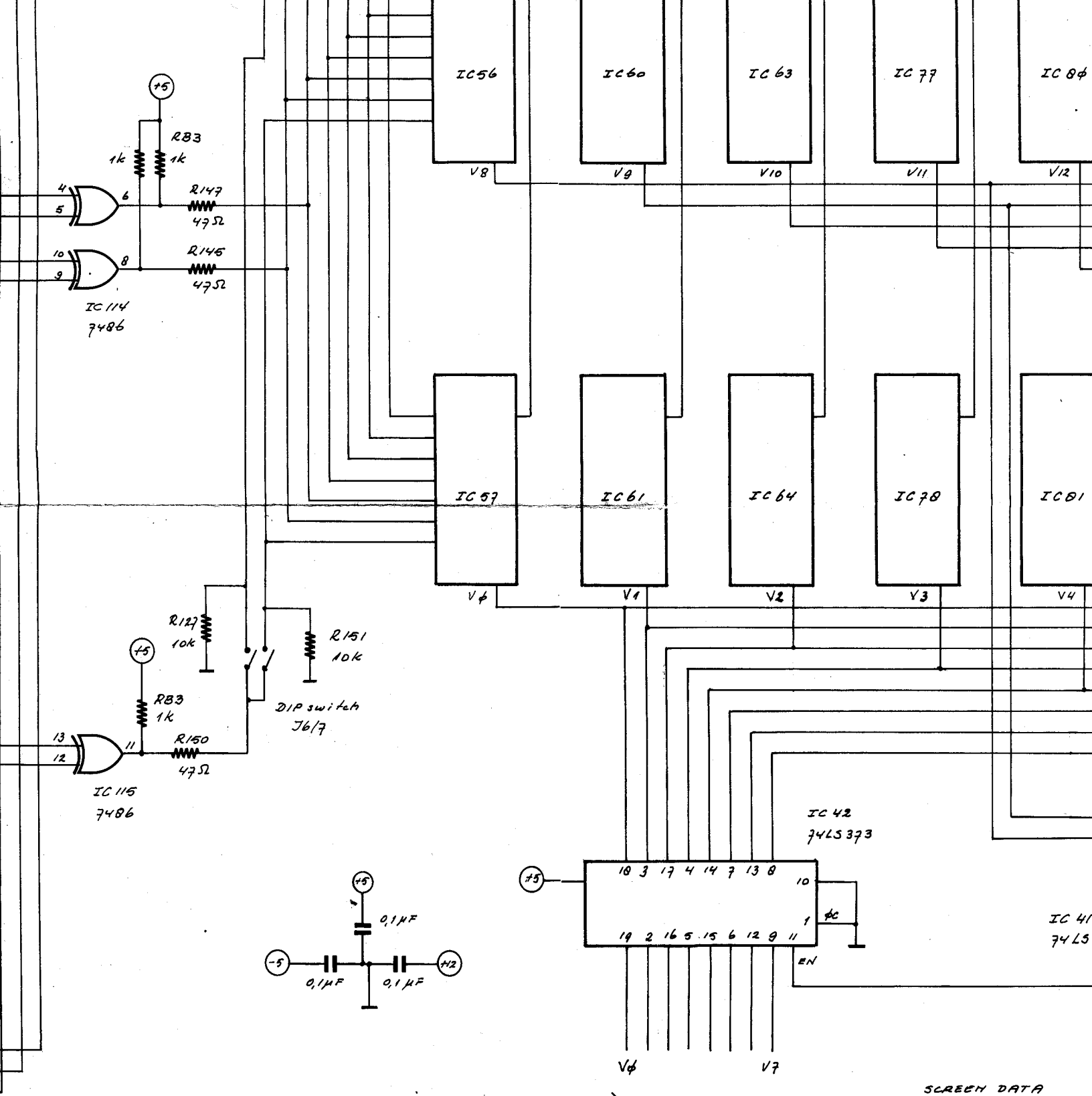
74LS373
 IC 103

RAM's : TMS 411
 MK 411
 F16 K.

on all RAM's, sup with capacitors

All RAM's connected

A* : Address bus
 MV* : Display address request



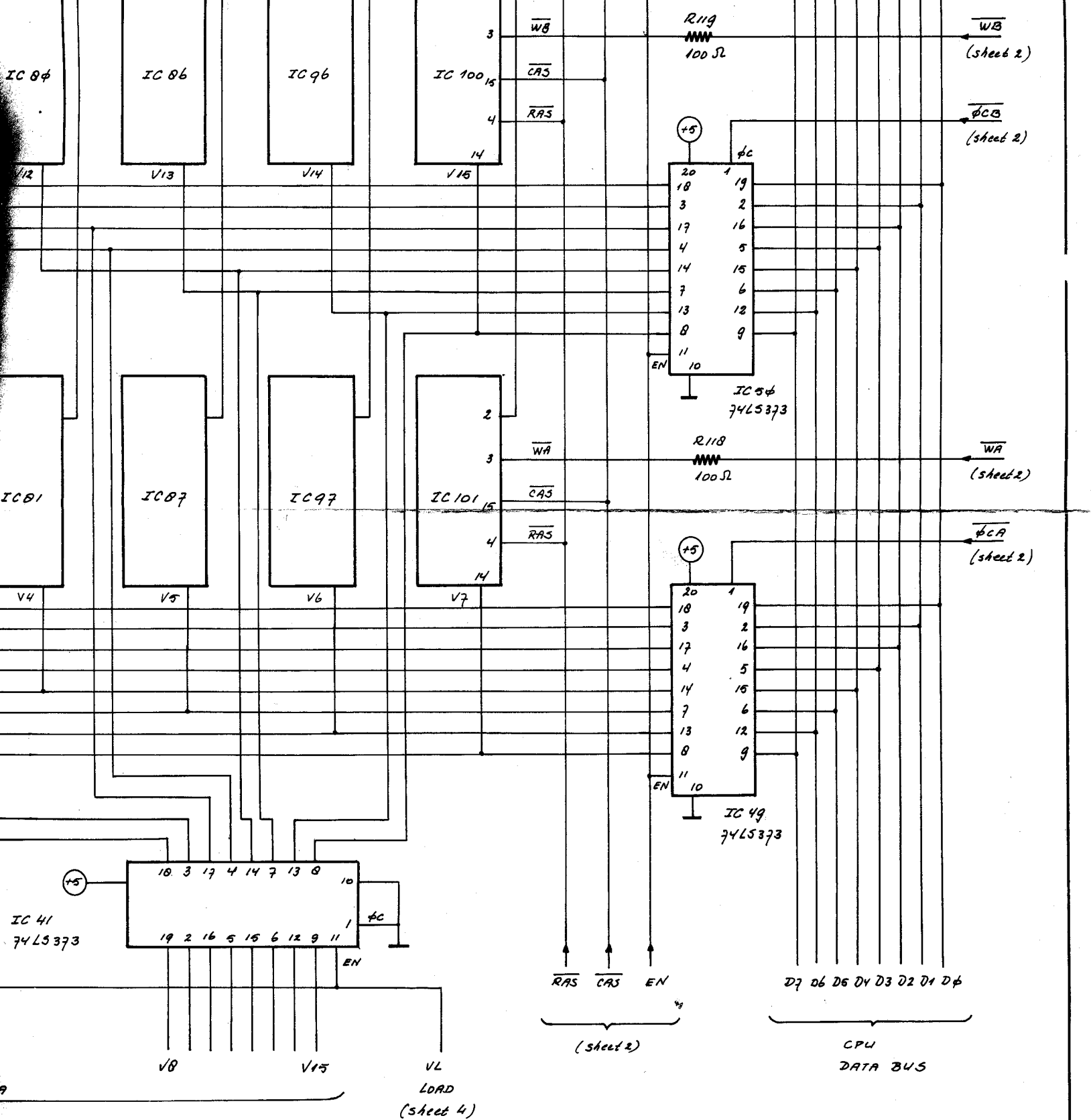
RAM's : TMS 4116-20
 MK 4116-3
 F16K3

on all RAM's, supplies decoupled with capacitors to ground.

All RAM's connected as IC 58/172.

SCREEN DATA

(Sheet 4)



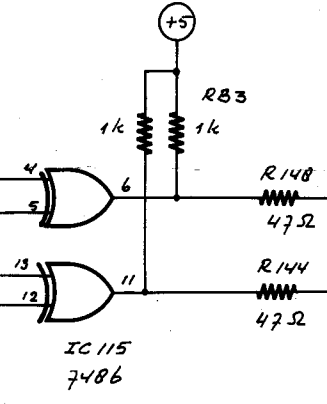
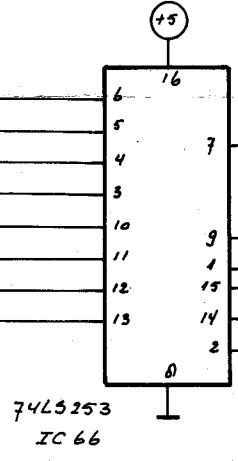
RAM

REV. 5
sheet 3

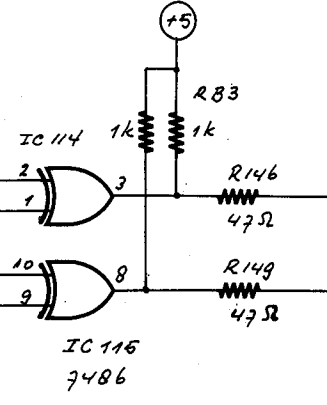
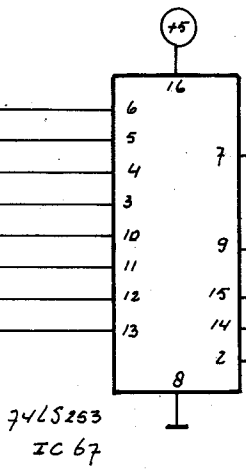
DAINAMIC

PERSONAL COMPUTER USERS CLUB

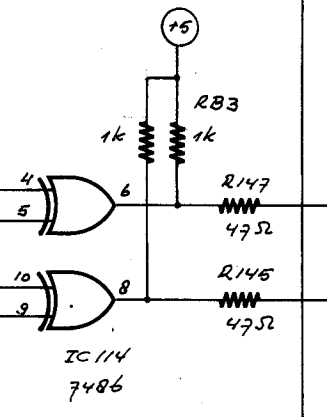
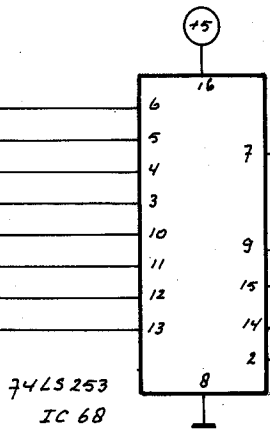
A1 → MA4
 A7 → MB4
 MV4 → MC4
 MV6 → MD4
 A2 → MA1
 A8 → MB1
 MV1 → MC1
 MV7 → MD1



A3 → MA2
 A9 → MB2
 MV2 → MC2
 MV8 → MD2
 A4 → MA3
 A10 → MB3
 MV3 → MC3
 MV9 → MD3



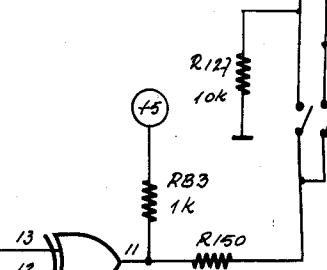
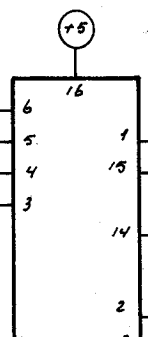
A5 → MA4
 A11 → MB4
 MV4 → MC4
 MV10 → MD4
 A6 → MA5
 A12 or A13 → MB5
 MV5 → MC5
 MV11 → MD5

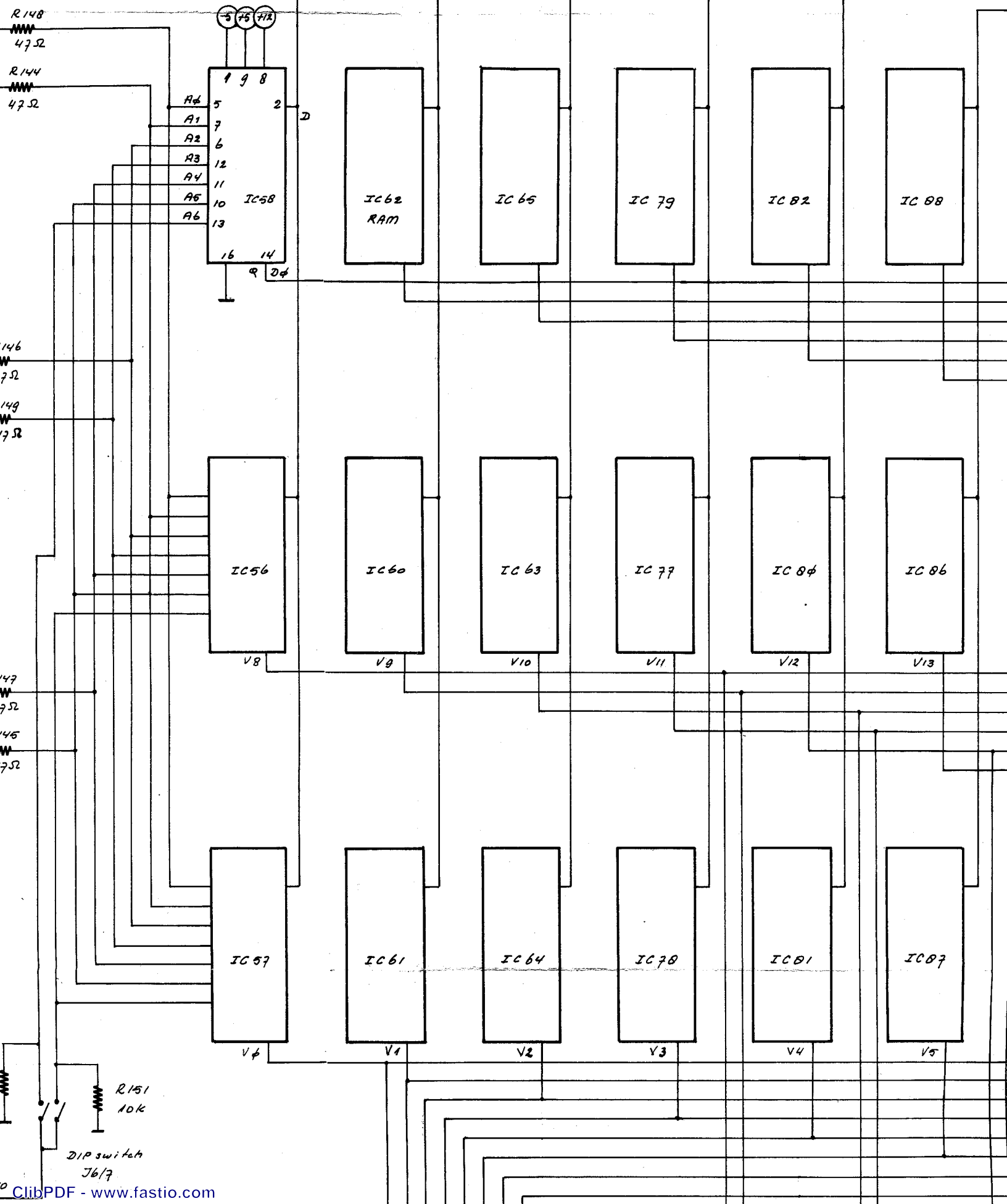


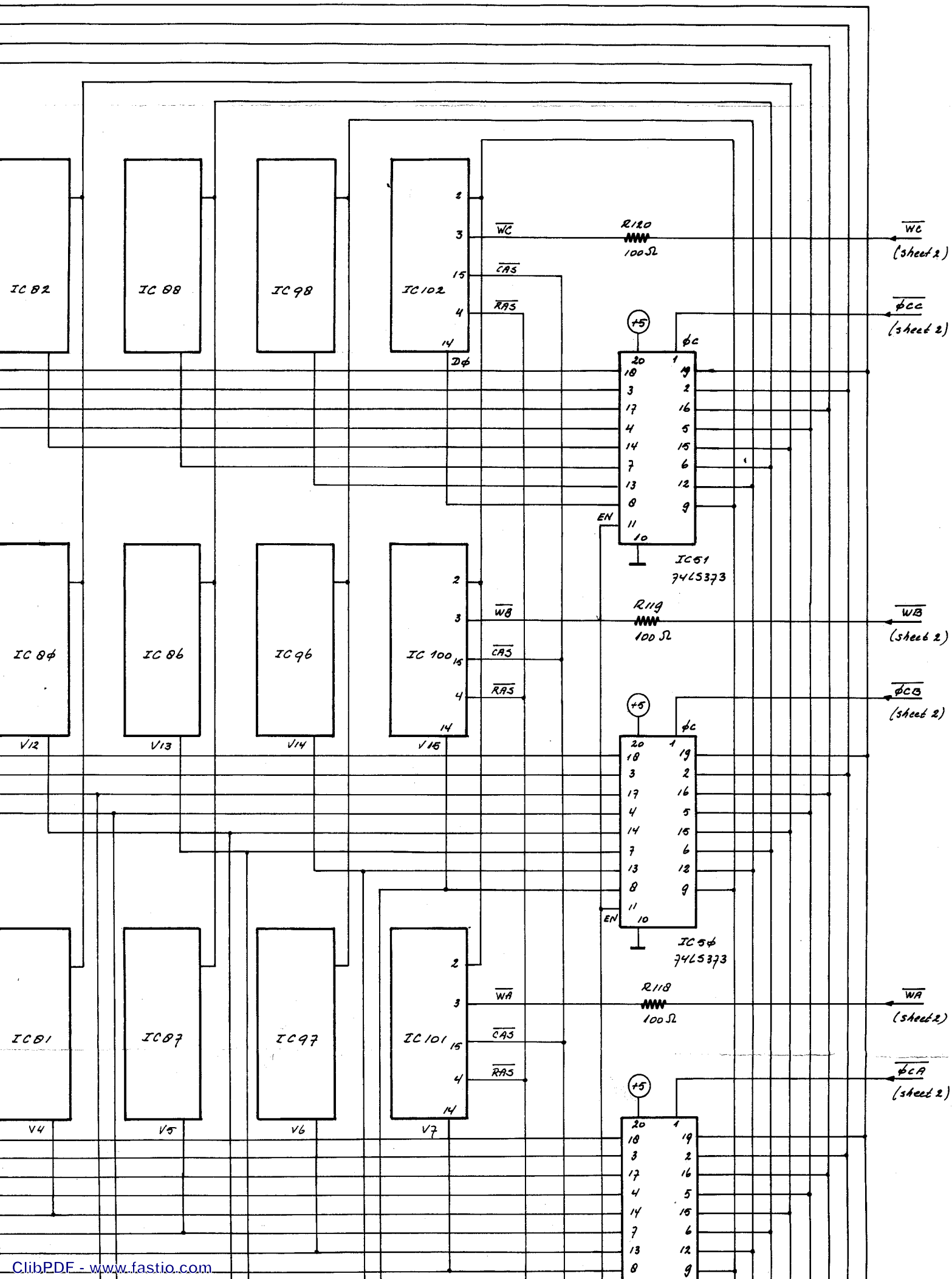
S8
 CAS for address switching

RAM EN

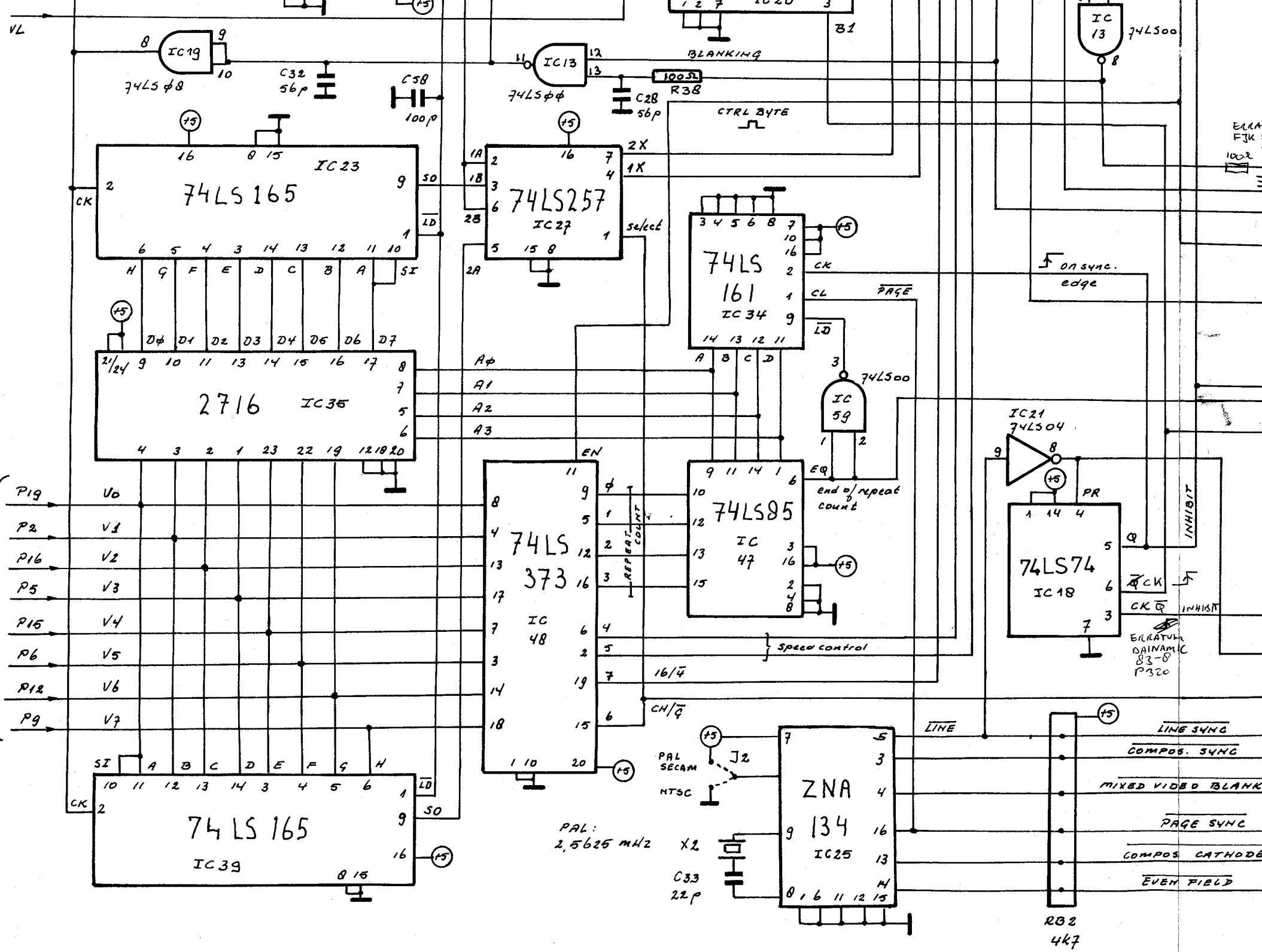
A13 → MA6
 A14 → MB6
 MV12 → MC6
 MV13 → MD6





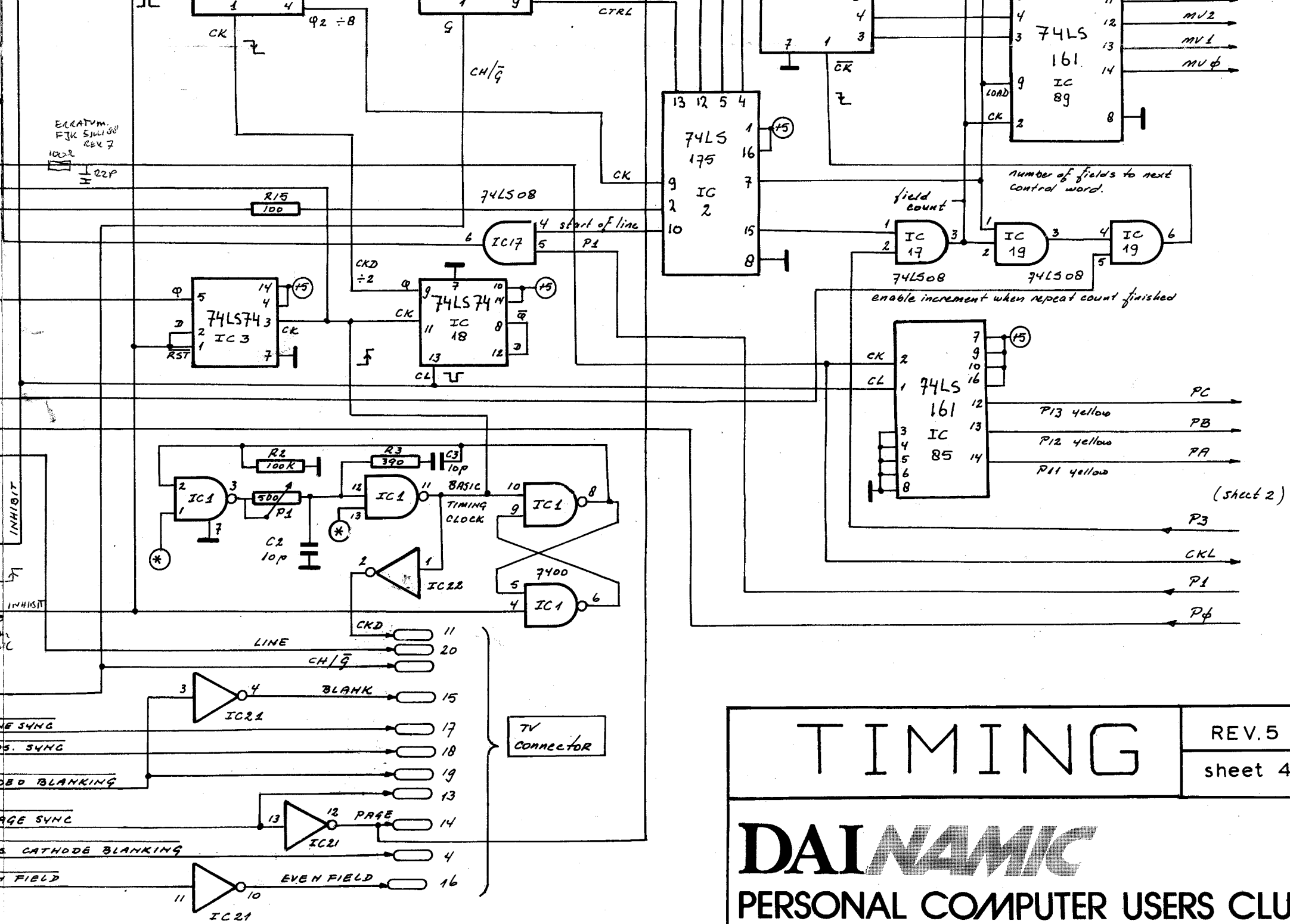


odd addresses (from IC41)



PAL: 2.5625 MHz

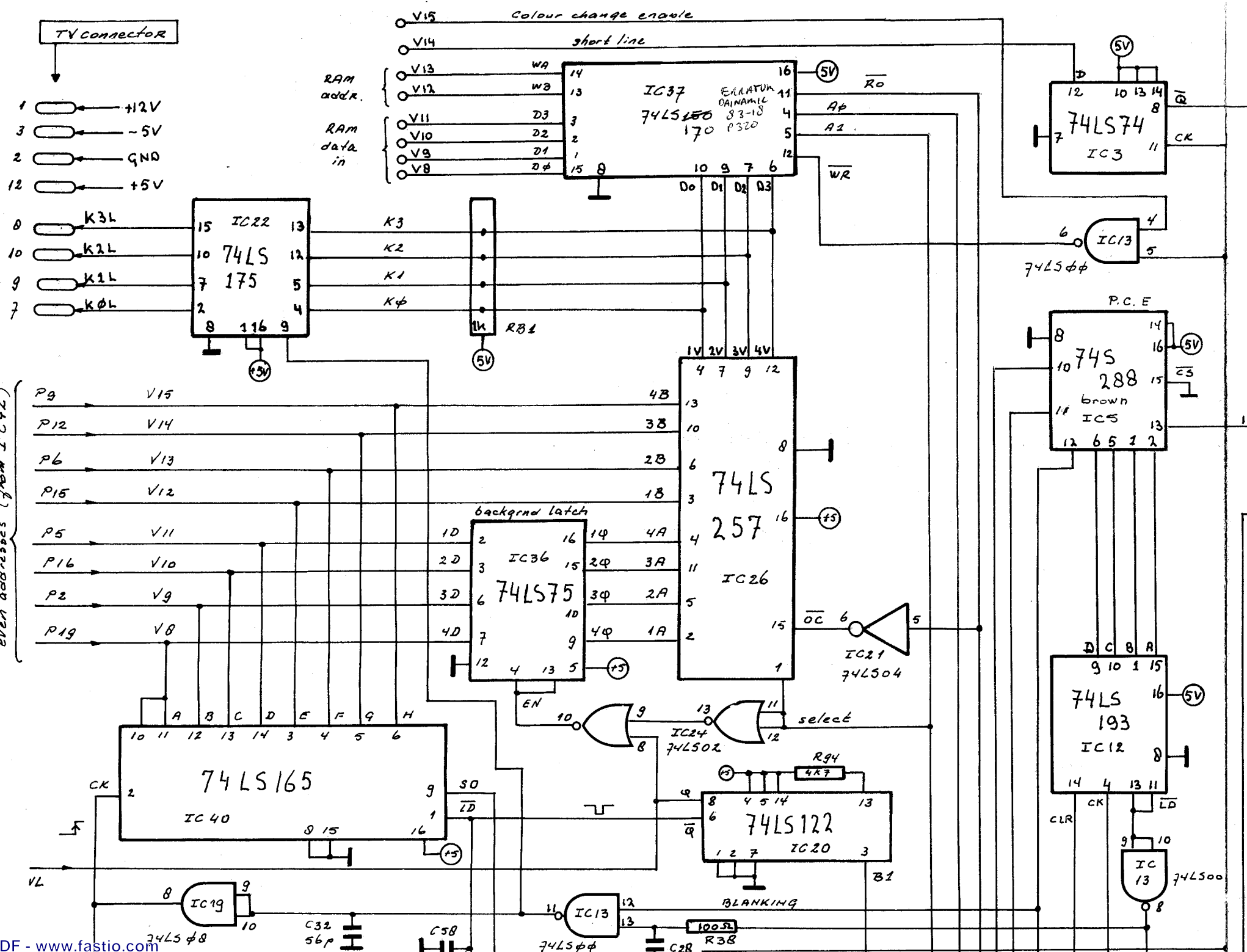
ERATUM DAINAMIC 83-8 P320



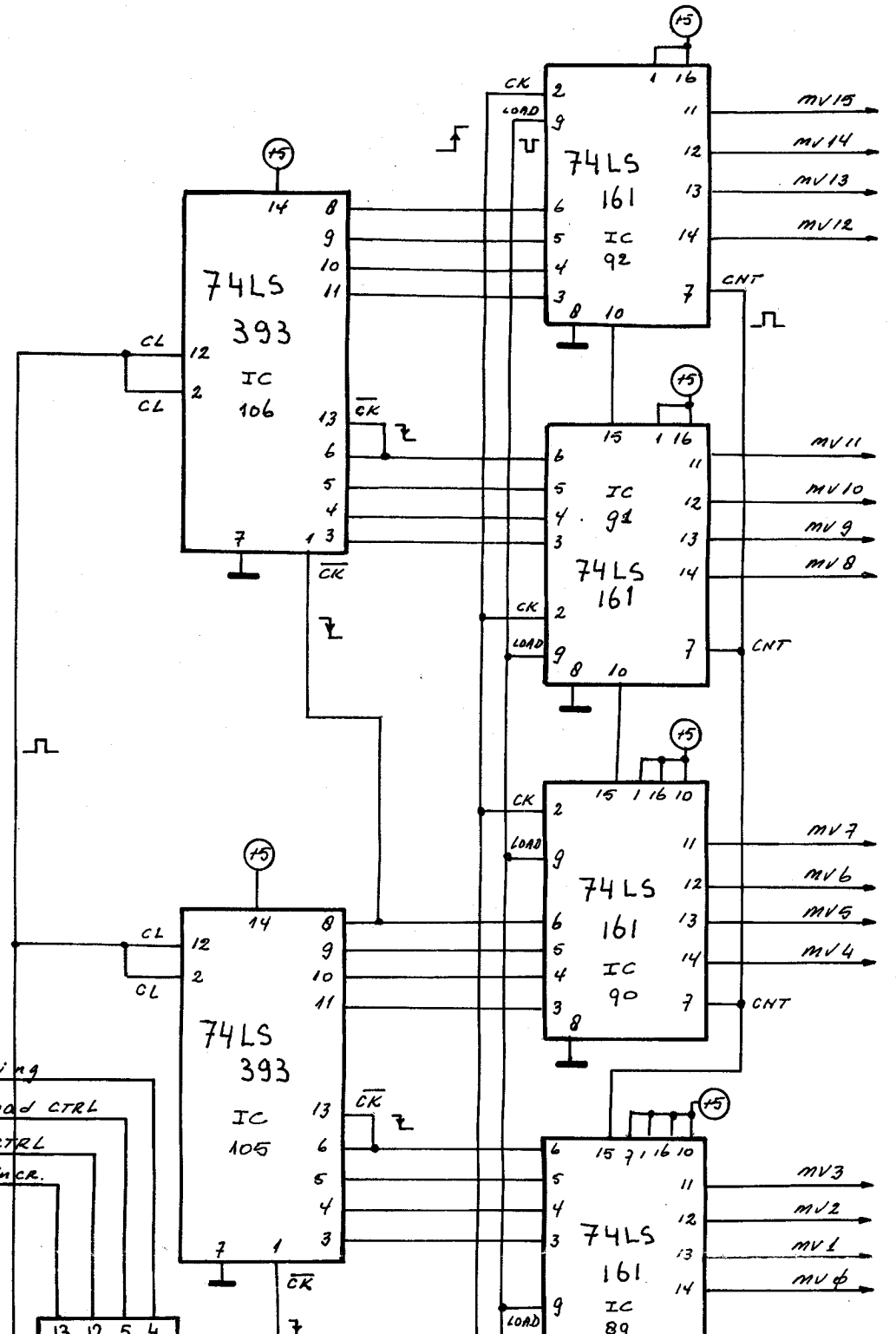
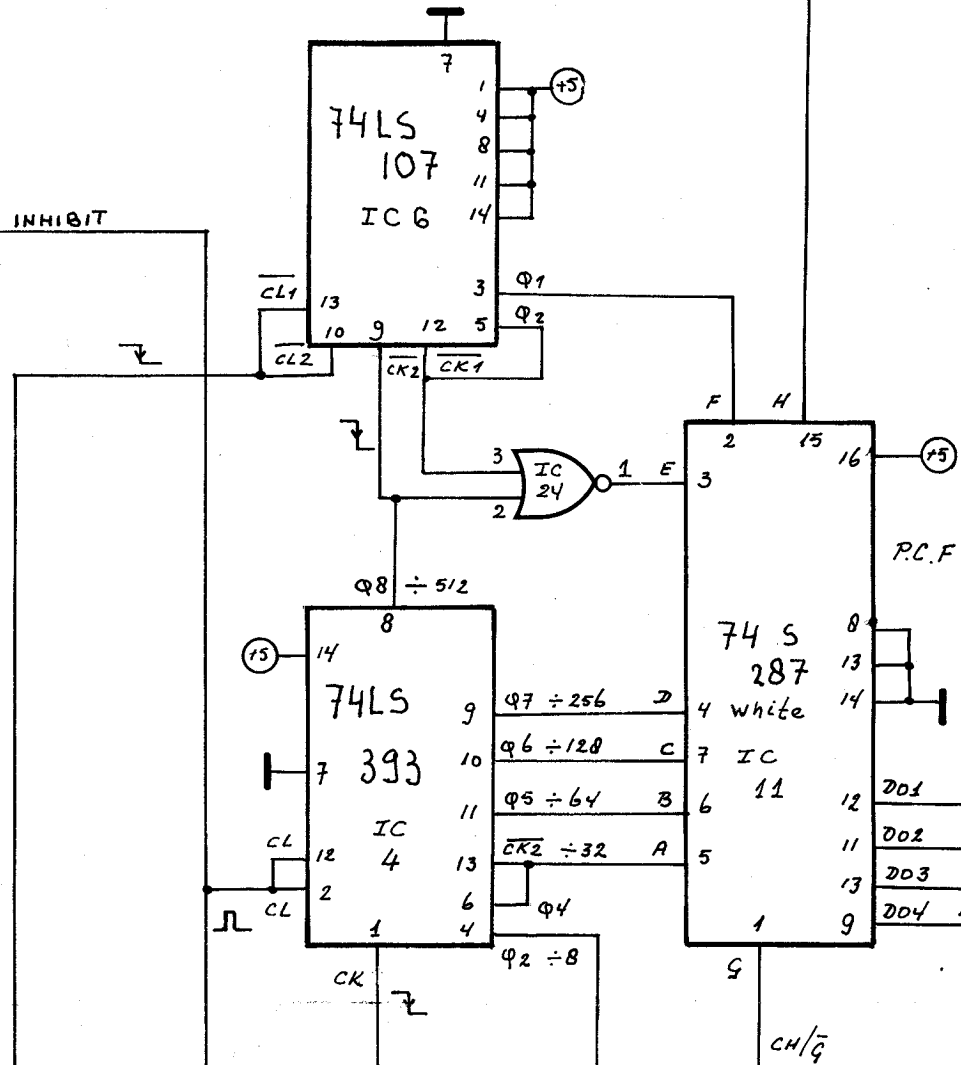
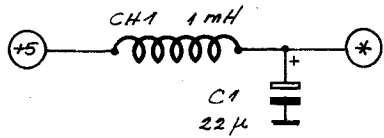
TIMING	REV.5
sheet 4	
<h1 style="margin: 0;">DAI N A M I C</h1> <h2 style="margin: 0;">PERSONAL COMPUTER USERS CLUB</h2>	

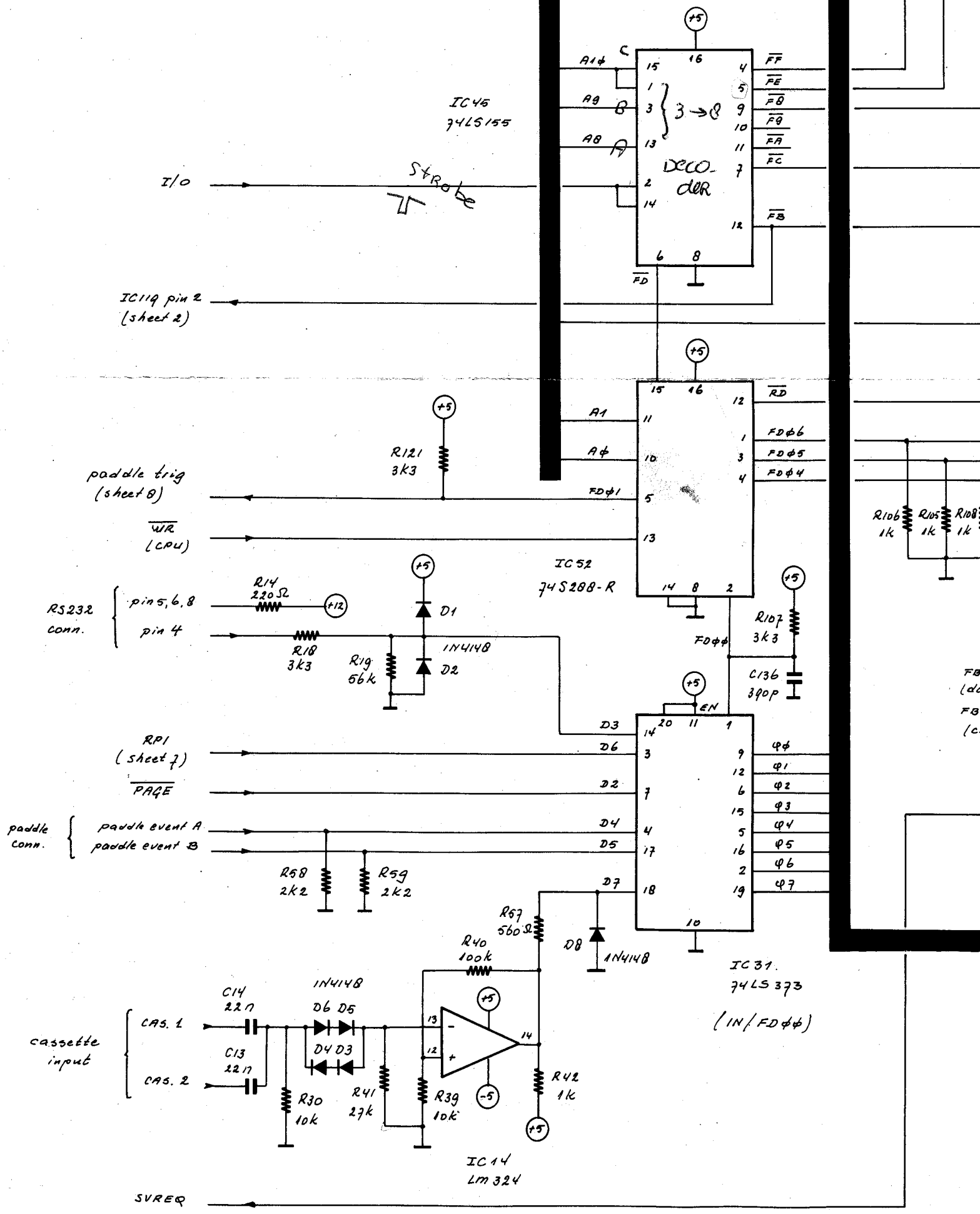
(sheet 2)

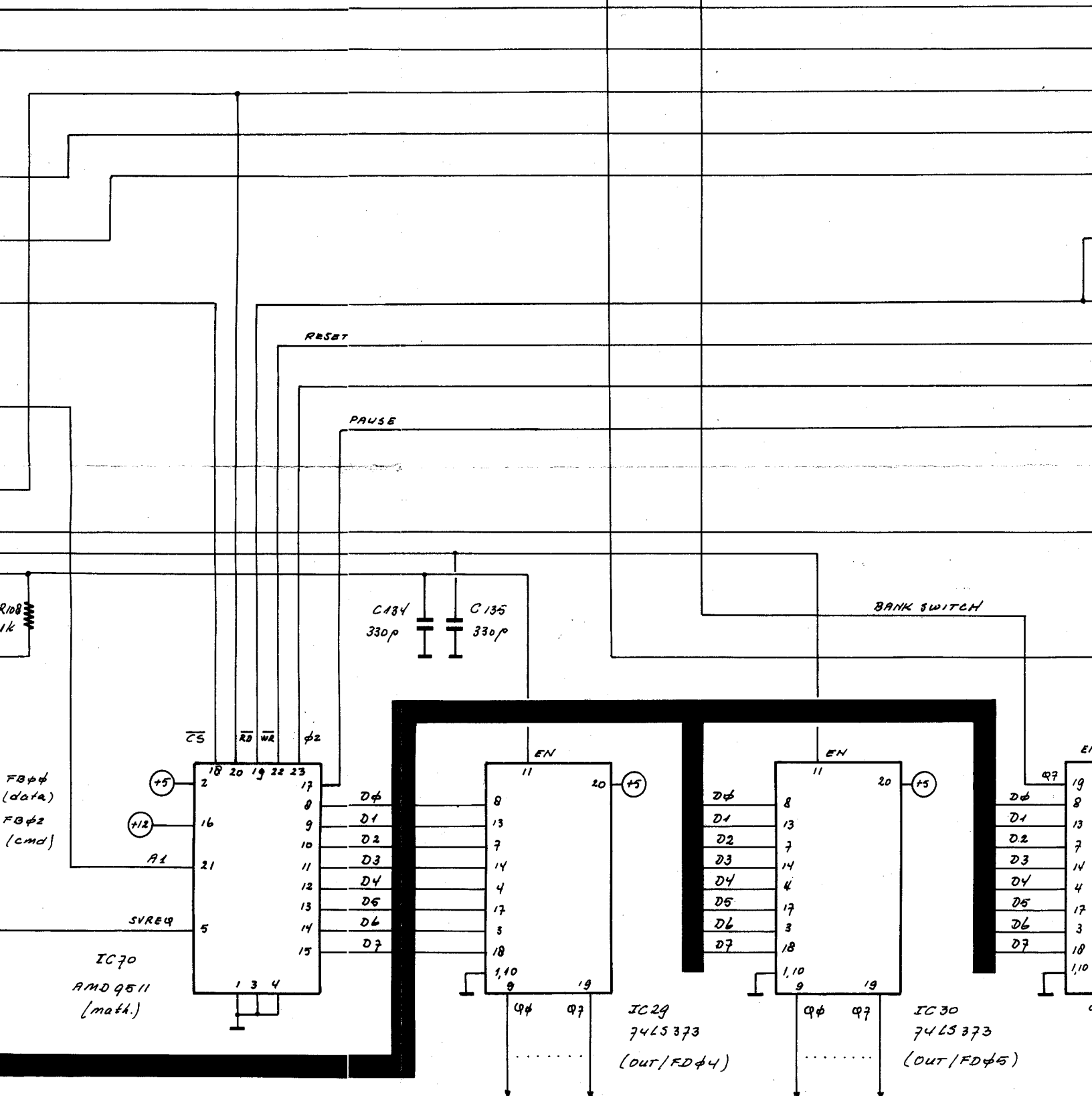
even addresses (from IC42)



short line



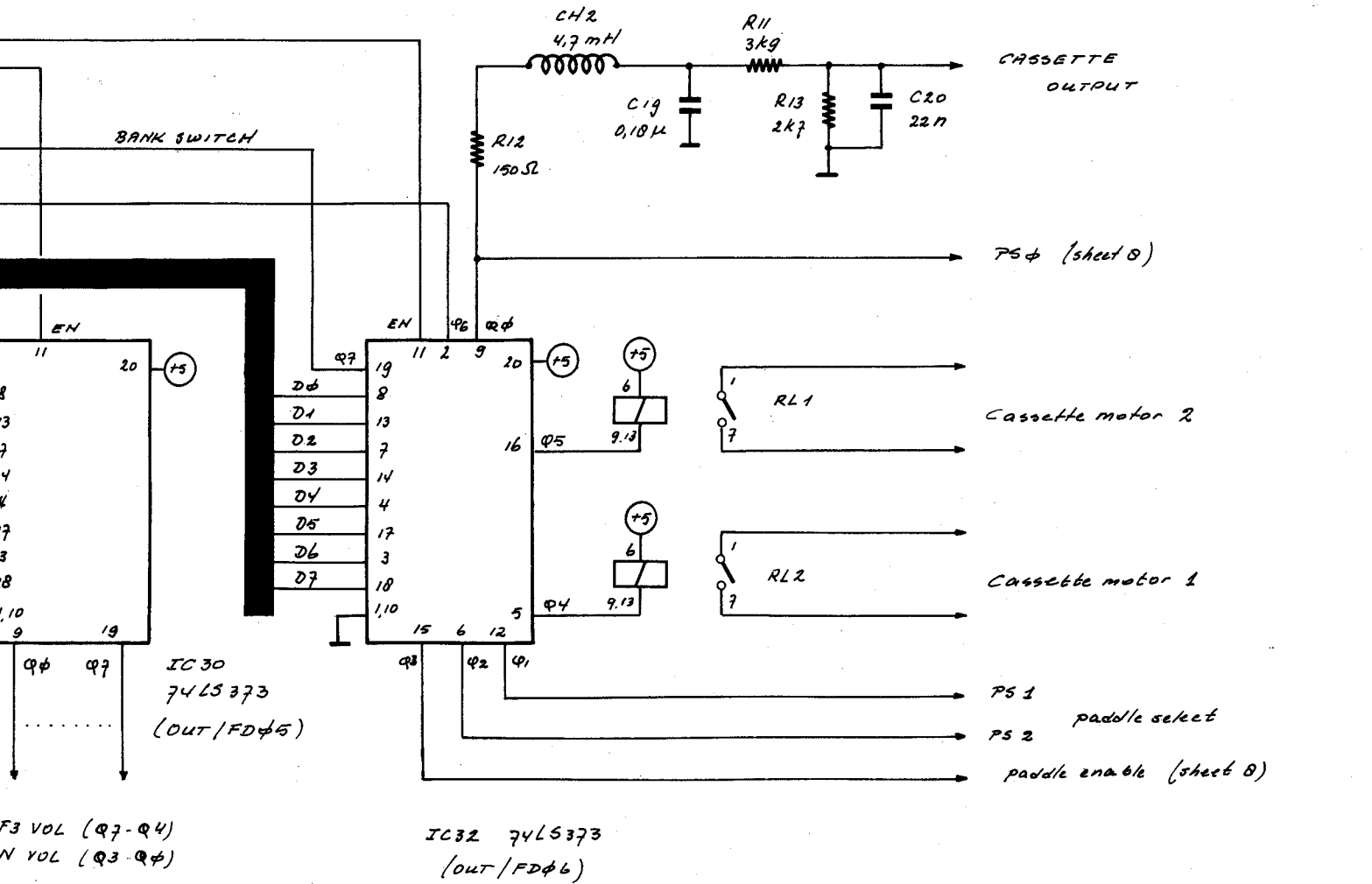
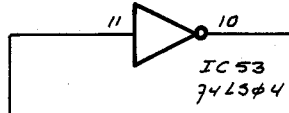
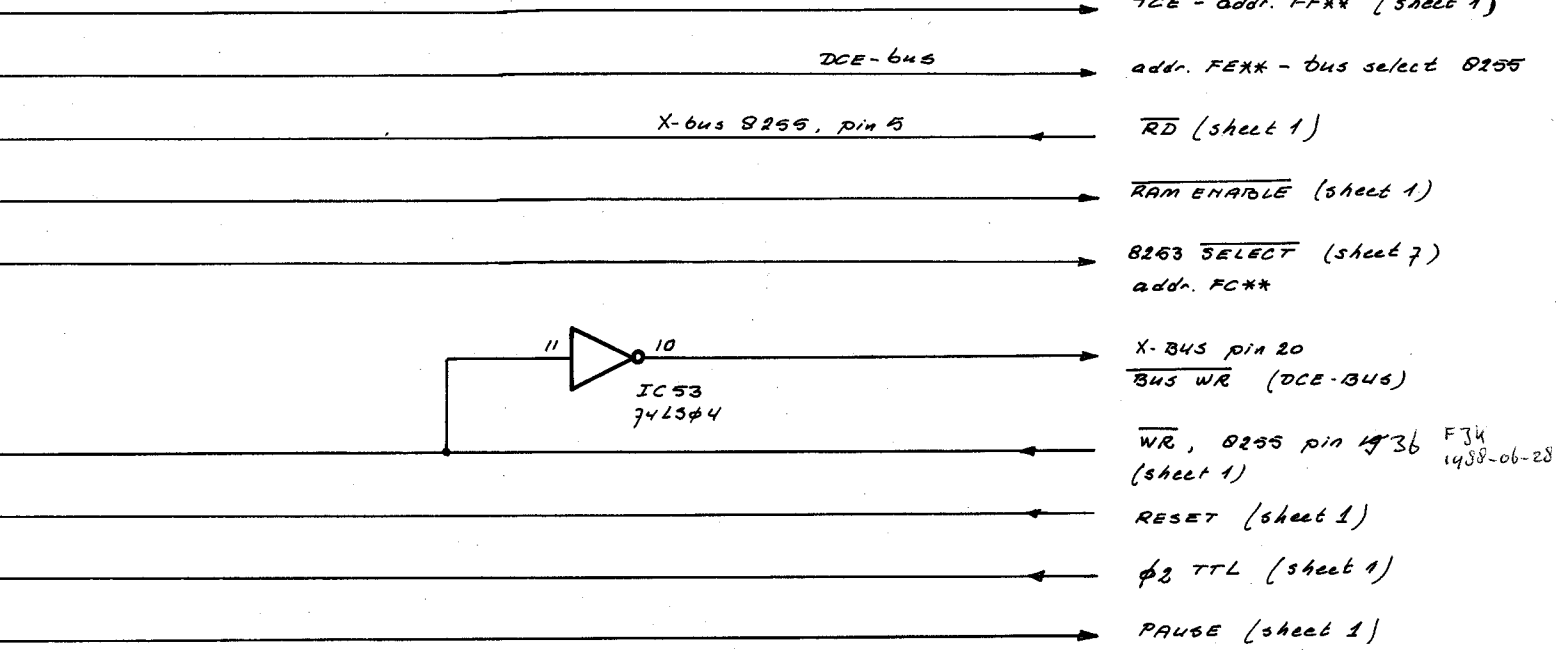




F1 VOL (Q7-Q4)
 F2 VOL (Q3-Q0)

F3 VOL (Q7-Q4)
 N VOL (Q3-Q0)

IC29 and IC30 are part of the
 SOUND unit (sheet 7)



F3 VOL (Q7-Q4)
N VOL (Q3-Qφ)

of the

ROM + I/O	REV. 5
	sheet 5
<h1 style="margin: 0;">DAI N A M I C</h1> <h2 style="margin: 0;">PERSONAL COMPUTER USERS CLUB</h2>	

ADDRESS BUS

CPU ADDRESS BUS

X-Bus pin 26

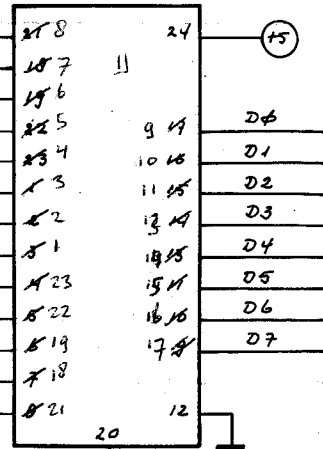
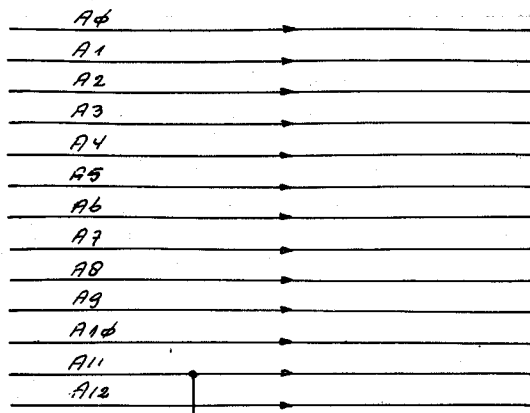
PLI
MEM. RD
[X-Bus pin 24]
PL

IC119 pin 2
(sheet 2)

paddle trig
(sheet 8)

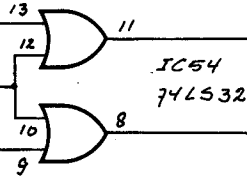
WR
(CPU)

RS232
pin 5, 6, 8



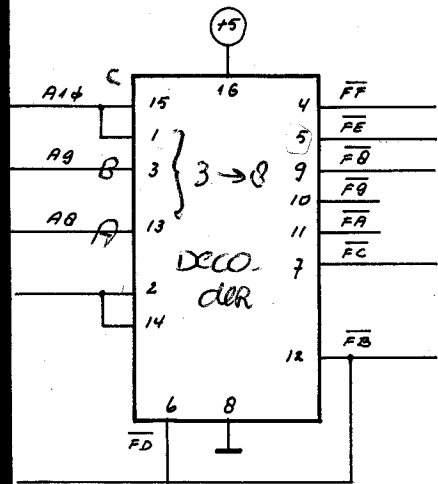
IC73
MK36000
ROM

DATA BUS



IC46
74LS155

Strobe



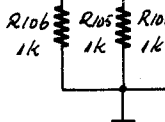
R121
3K3

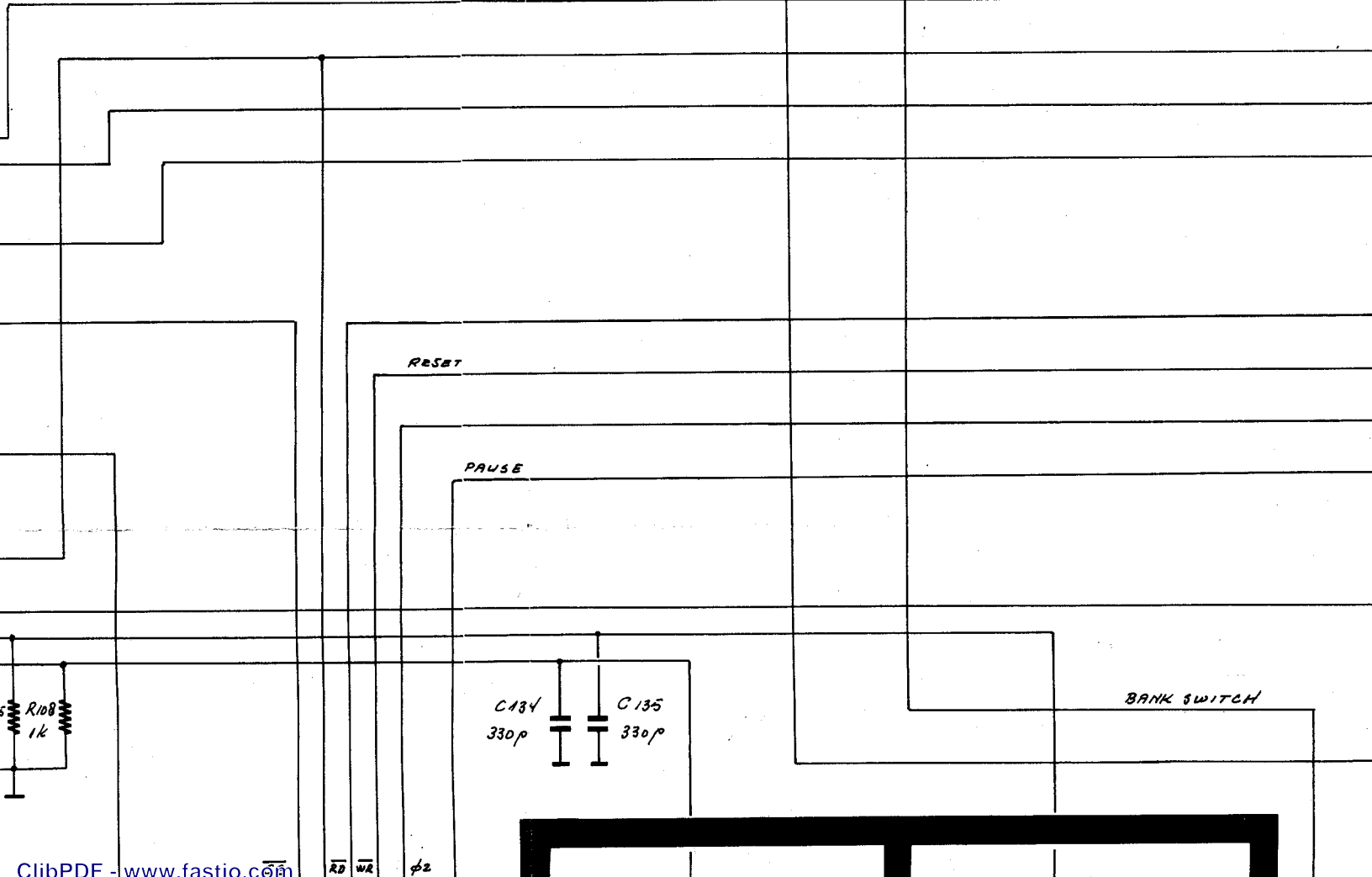
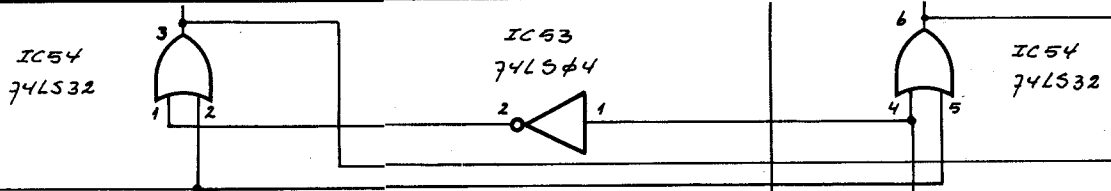
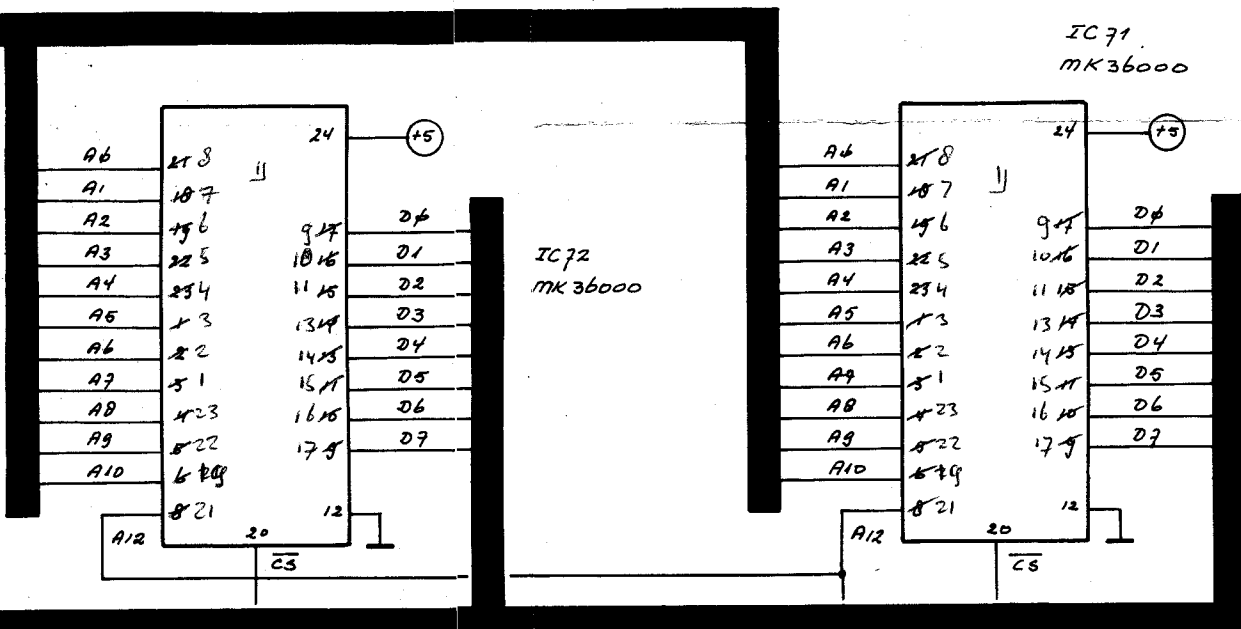
IC52
74S208-R



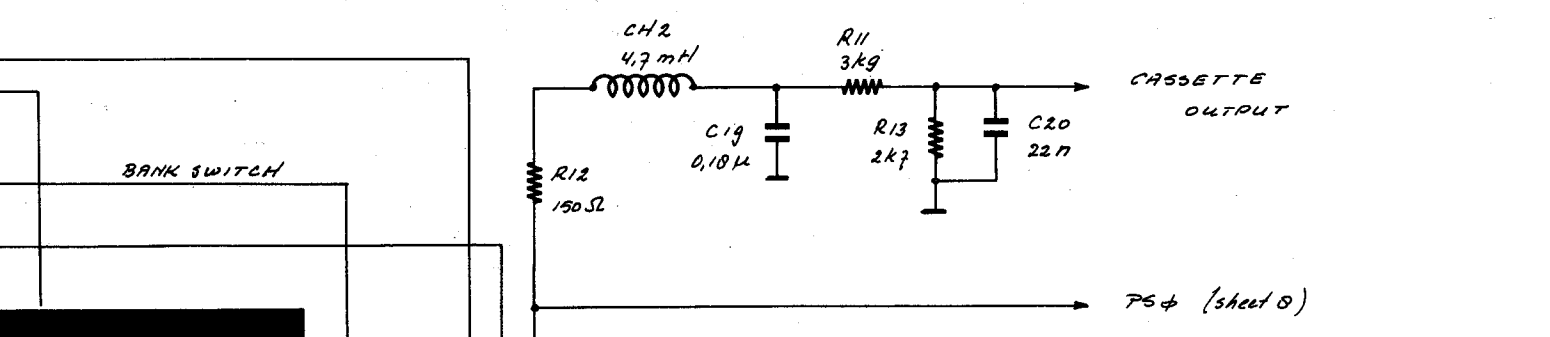
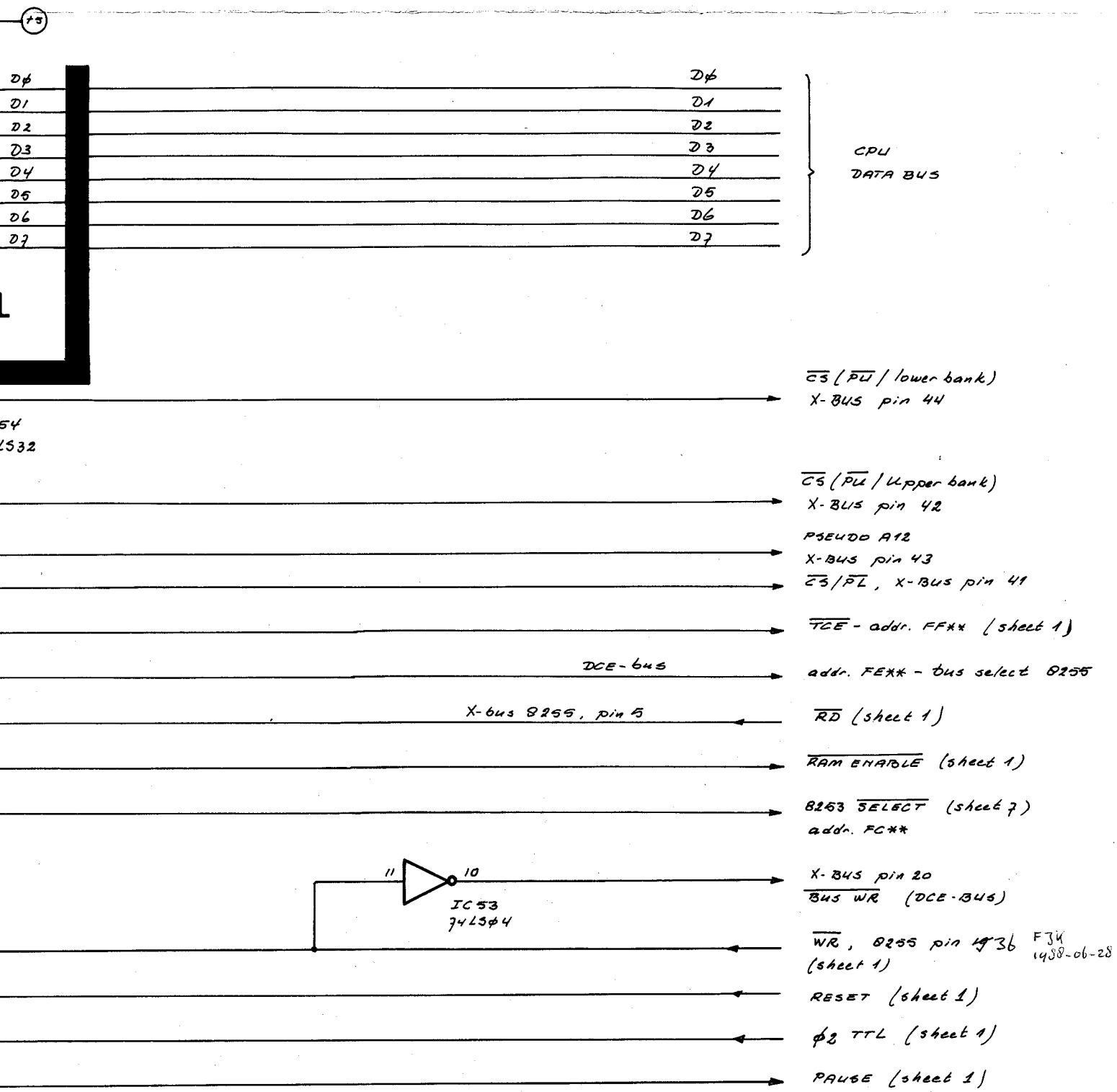
R14
220Ω

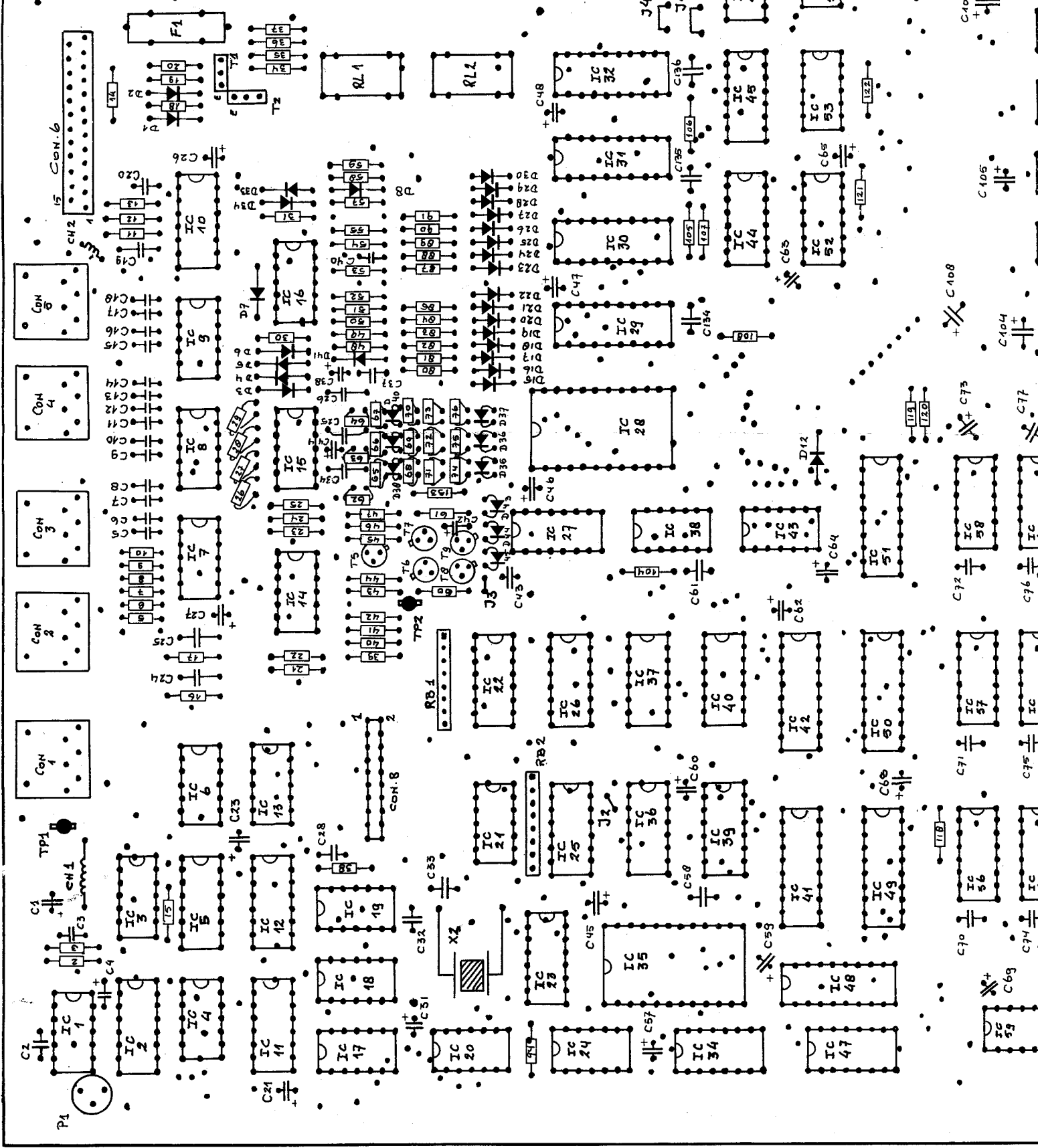
R107
3K3

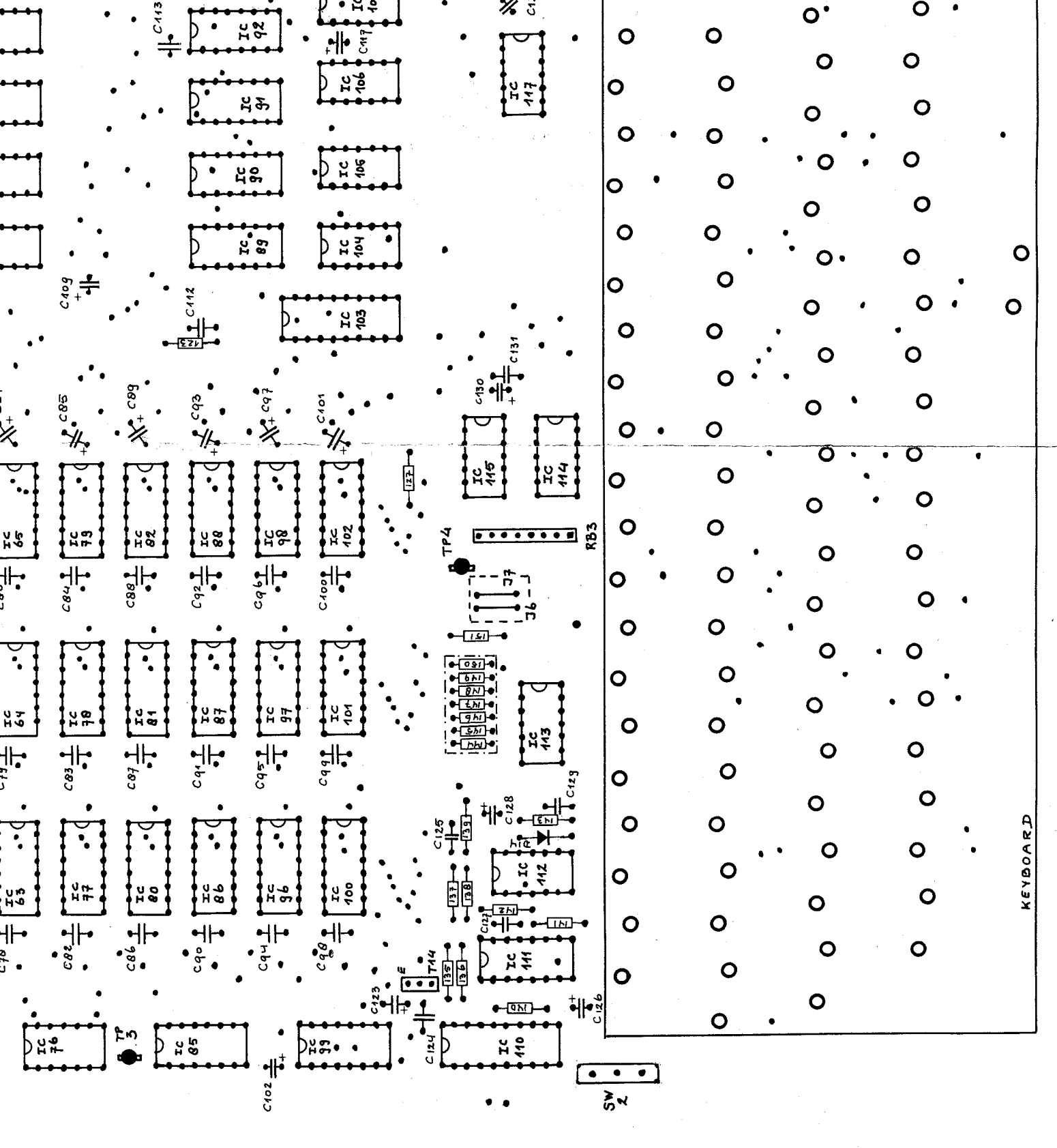




1.
6000







KEYBOARD

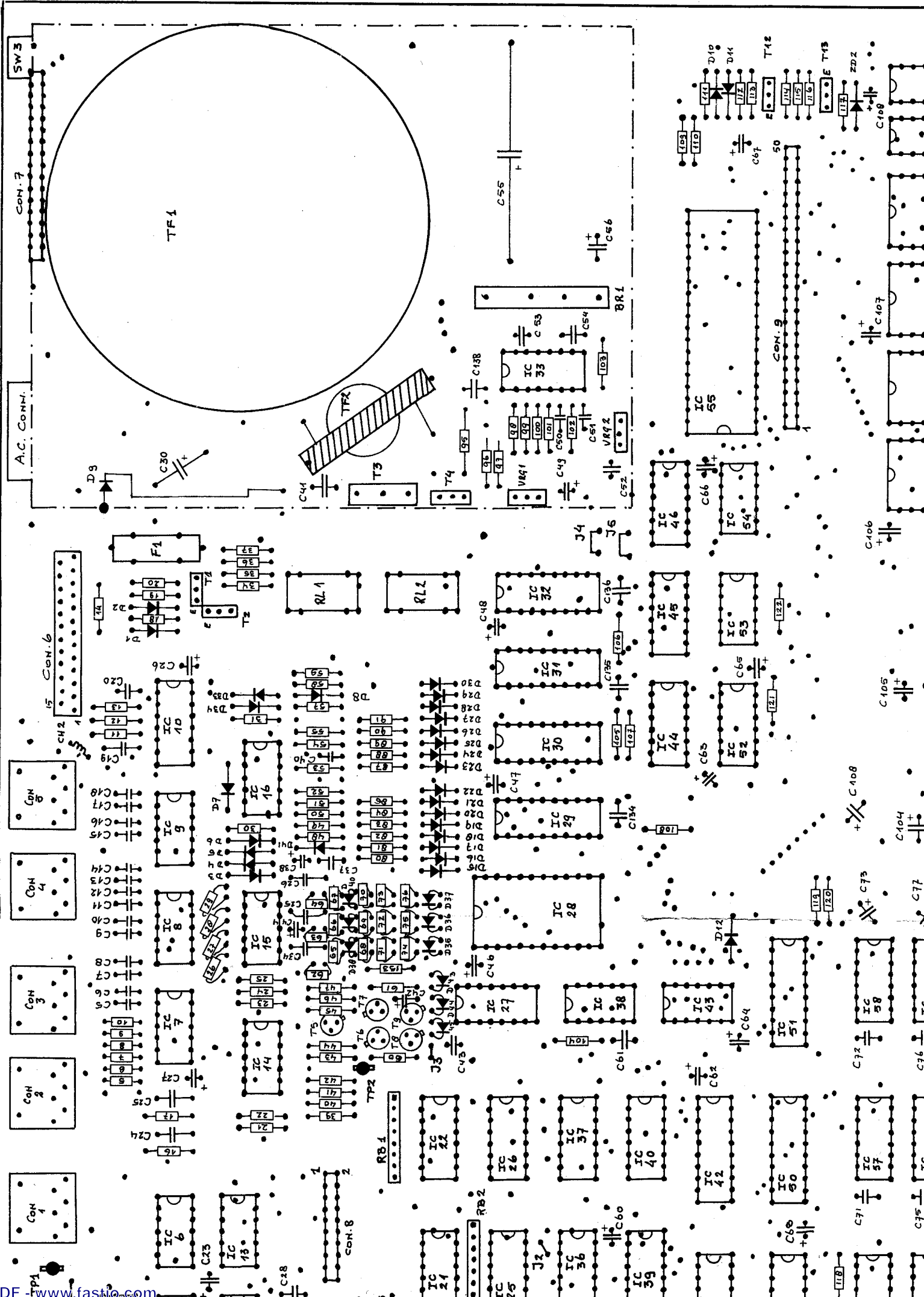
DAINAMIC

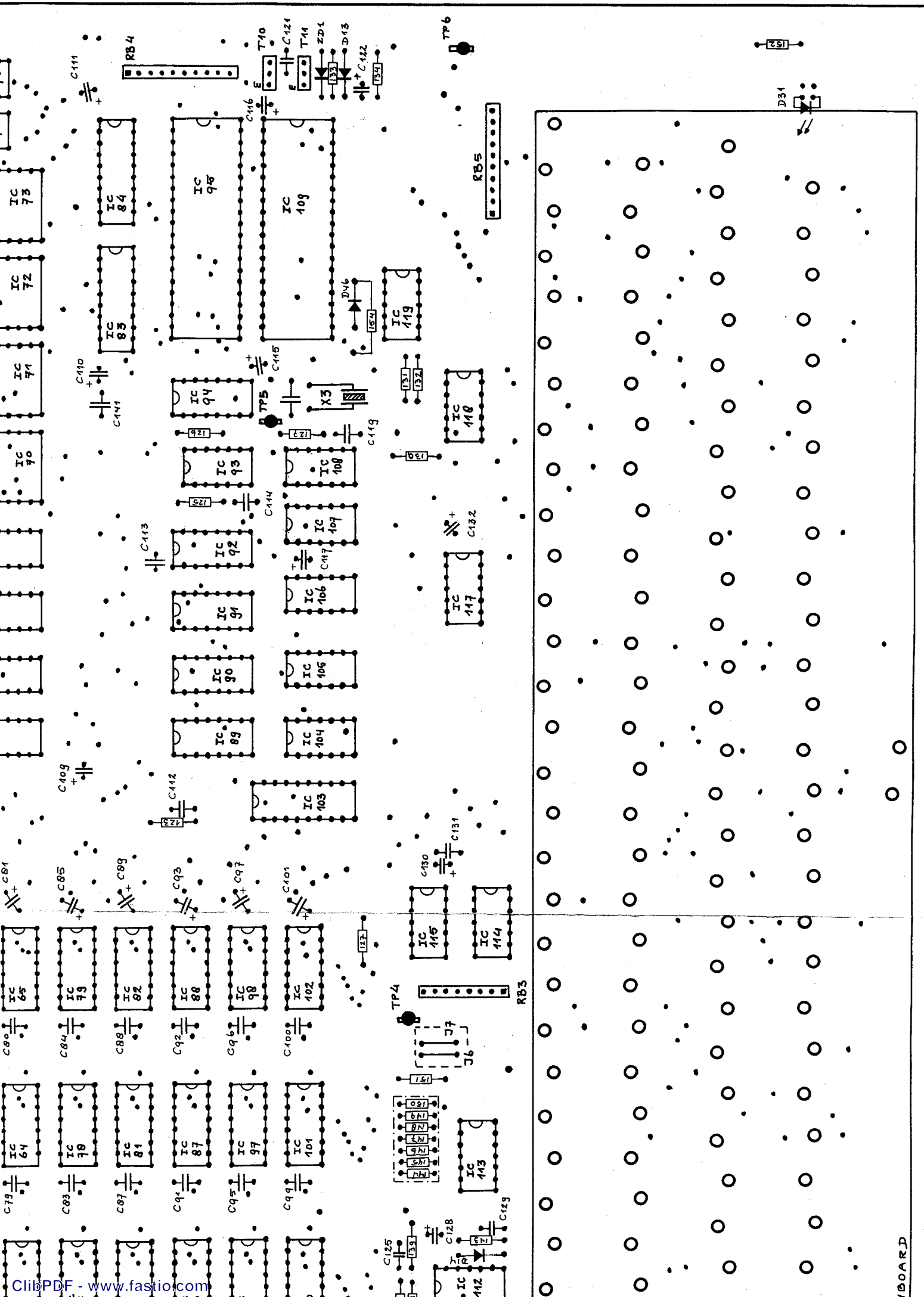
PERSONAL COMPUTER USERS CLUB

REV. 5

sheet 6

MAIN BOARD





BOARD