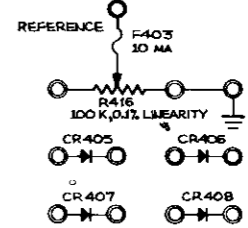
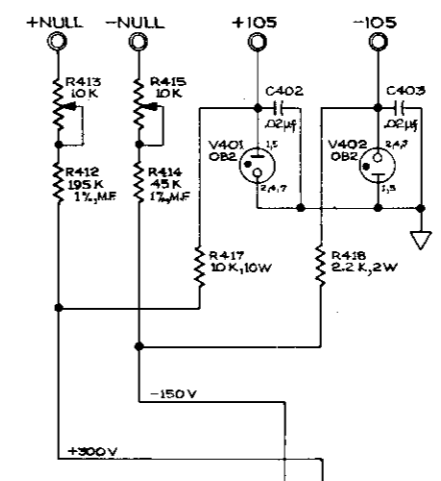
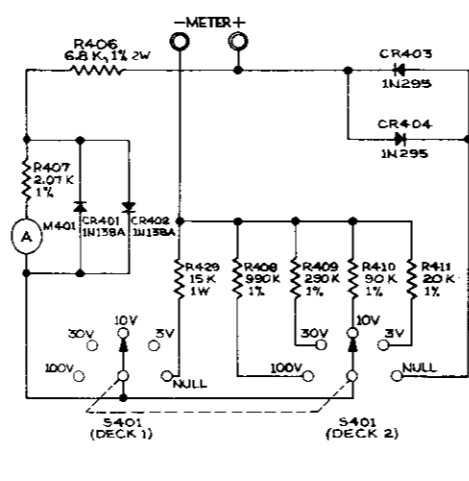
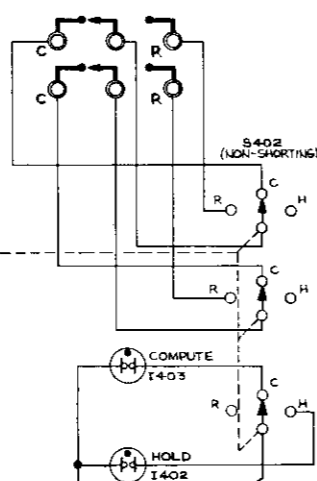
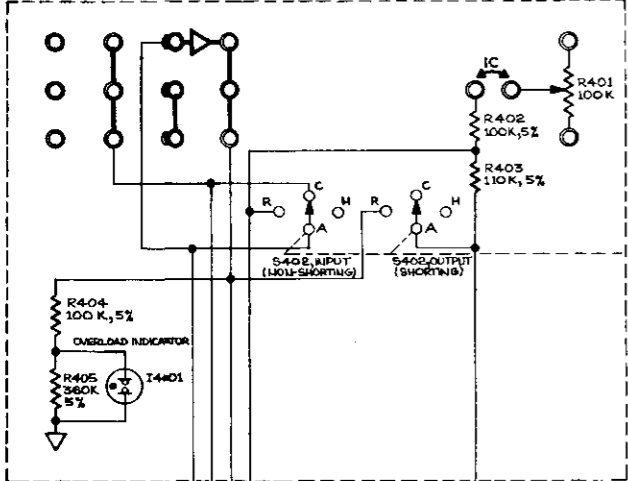
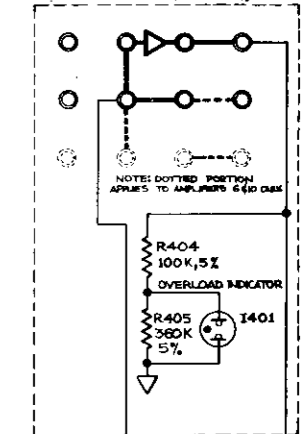


AMPLIFIER #1 (TYPICAL INTEGRATOR CIRCUITRY-AMPLIFIERS 1 THRU 5)



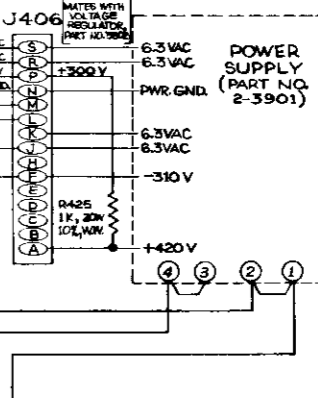
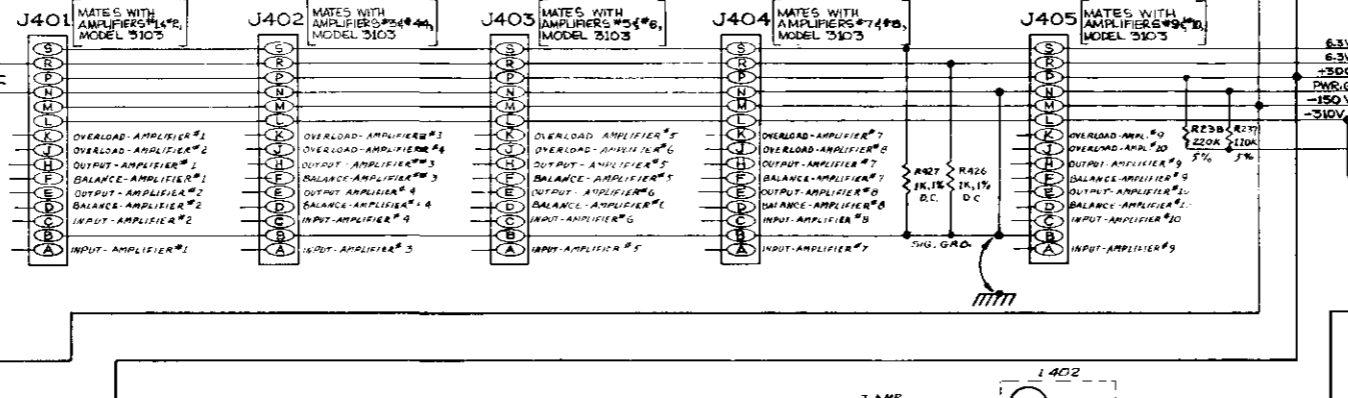
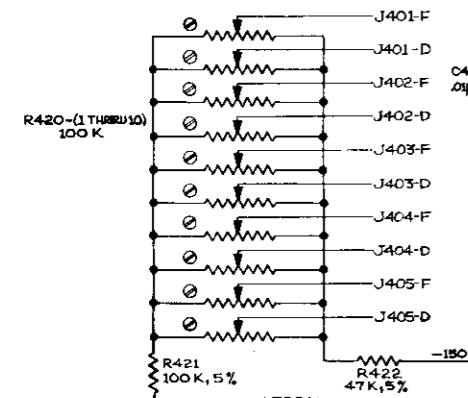
AMPLIFIER #10 (TYPICAL SUMMER CIRCUITRY-AMPLIFIERS 6 THRU 10)



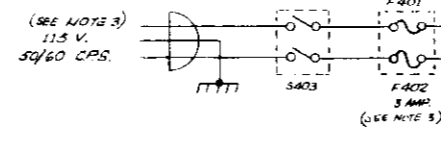
- J407 FRONT PANEL CONNECTOR
- J401-A
  - J401-C
  - J402-A
  - J403-C
  - J404-A
  - S402 INPUT 'C' AMP #2
  - S402 INPUT 'C' AMP #3
  - S402 INPUT 'R' AMP #2
  - S402 INPUT 'R' AMP #3
  - S402 OUTPUT 'X' AMP #2
  - S402 OUTPUT 'X' AMP #3
  - J401-H
  - J401-E
  - J402-H
  - J403-E
  - J404-H
  - J402-P
  - V401-1,5
  - J402-N
  - V402-2,4,6
  - PROB. BD., TRUNK LINE #1

- J408 FRONT PANEL CONNECTOR
- J402-C
  - J403-A
  - J404-C
  - J405-A
  - J405-C
  - S402 INPUT 'C' AMP #4
  - S402 INPUT 'C' AMP #5
  - S402 INPUT 'R' AMP #4
  - S402 INPUT 'R' AMP #5
  - S402 OUTPUT 'A' AMP #4
  - S402 OUTPUT 'A' AMP #5
  - J402-E
  - J403-H
  - J404-E
  - J405-H
  - J405-E
  - J402-P
  - V401-1,5
  - J402-N
  - V402-2,4,6
  - PROB. BD., TRUNK LINE #2

AMPLIFIER BALANCE ADJUST



- NOTES:
1. SYMBOL DESIGNATES JACK ON PROBLEM BOARD; SILK-SCREENED NOMENCLATURE (IN HEAVY LINE) ASSOCIATED WITH PROBLEM BOARD JACKS SHOWED FOR REFERENCE ONLY.
  2. SIGNAL GND., POWER GND., CHASSIS GND.
  3. FOR 230V OPERATION REMOVE JUMPER BETWEEN TERMINALS 1-2, 3-4 AT INPUT TO 2-3901 & ADD JUMPER 2-3. REPLACE F401, F402, 3AMP (OSC. F401) WITH 1.5 AMP (OSC. F401), ADD R412 (OSC. R-0152) IN SERIES WITH FAN.



DRAWN R.WARD	DATE 4-21-60	UNLESS SPECIFIED, DIMENSIONS IN INCHES	
CHECKED JAC	DATE 5/1/60	TOLERANCES DECIMAL ANGULAR	
TEST USE J. J. J.	DATE 1/1/60	SURFACE FINISH	
APPROVED R. J. J.	DATE 5/1/60	SCALE	
MODEL 3500	REV. NO. 3932	TITLE SCHEMATIC-ANALOG COMPUTER	FORM NO. 3899

DOUGLAS SCIENTIFIC COMPANY