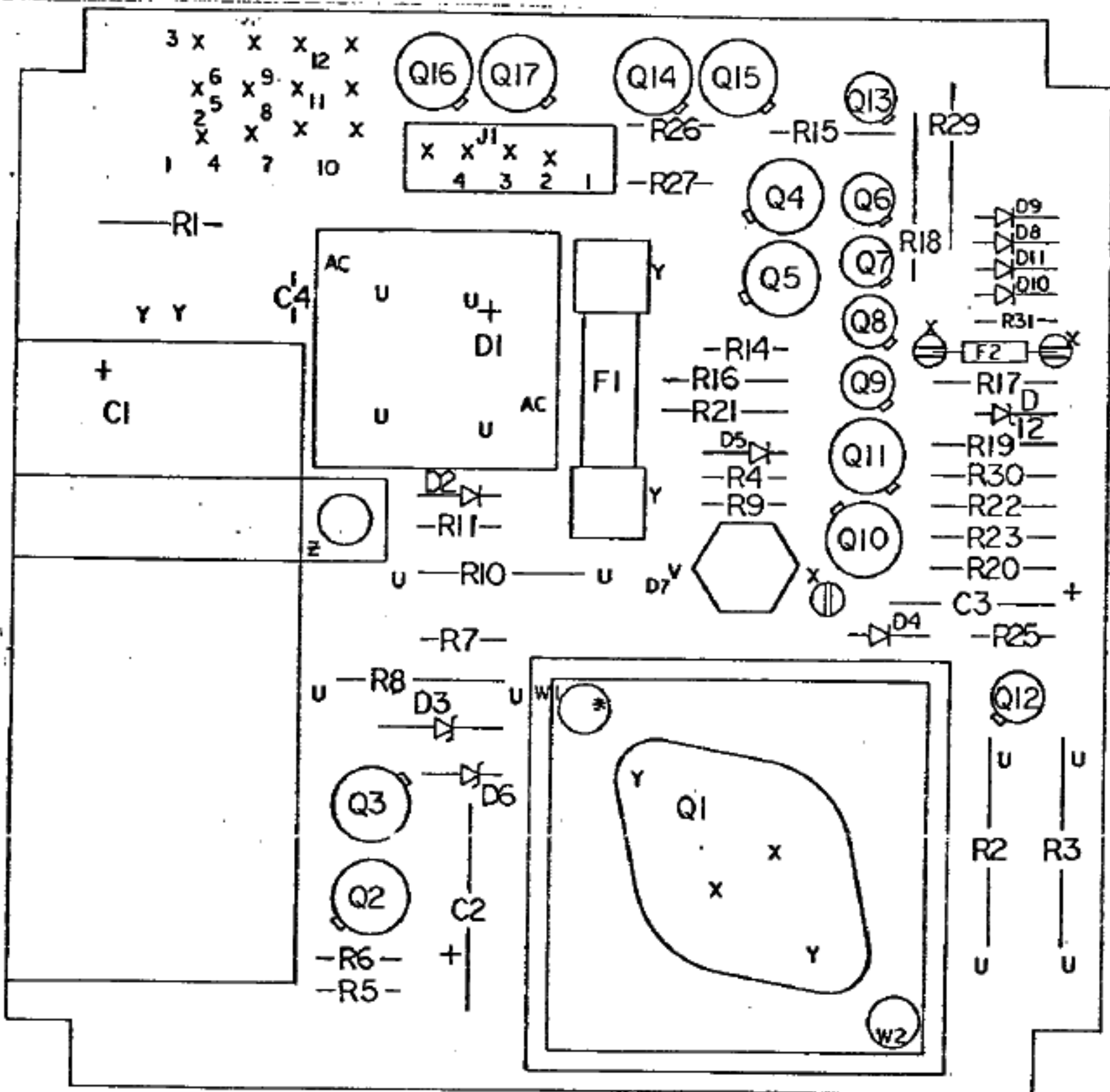
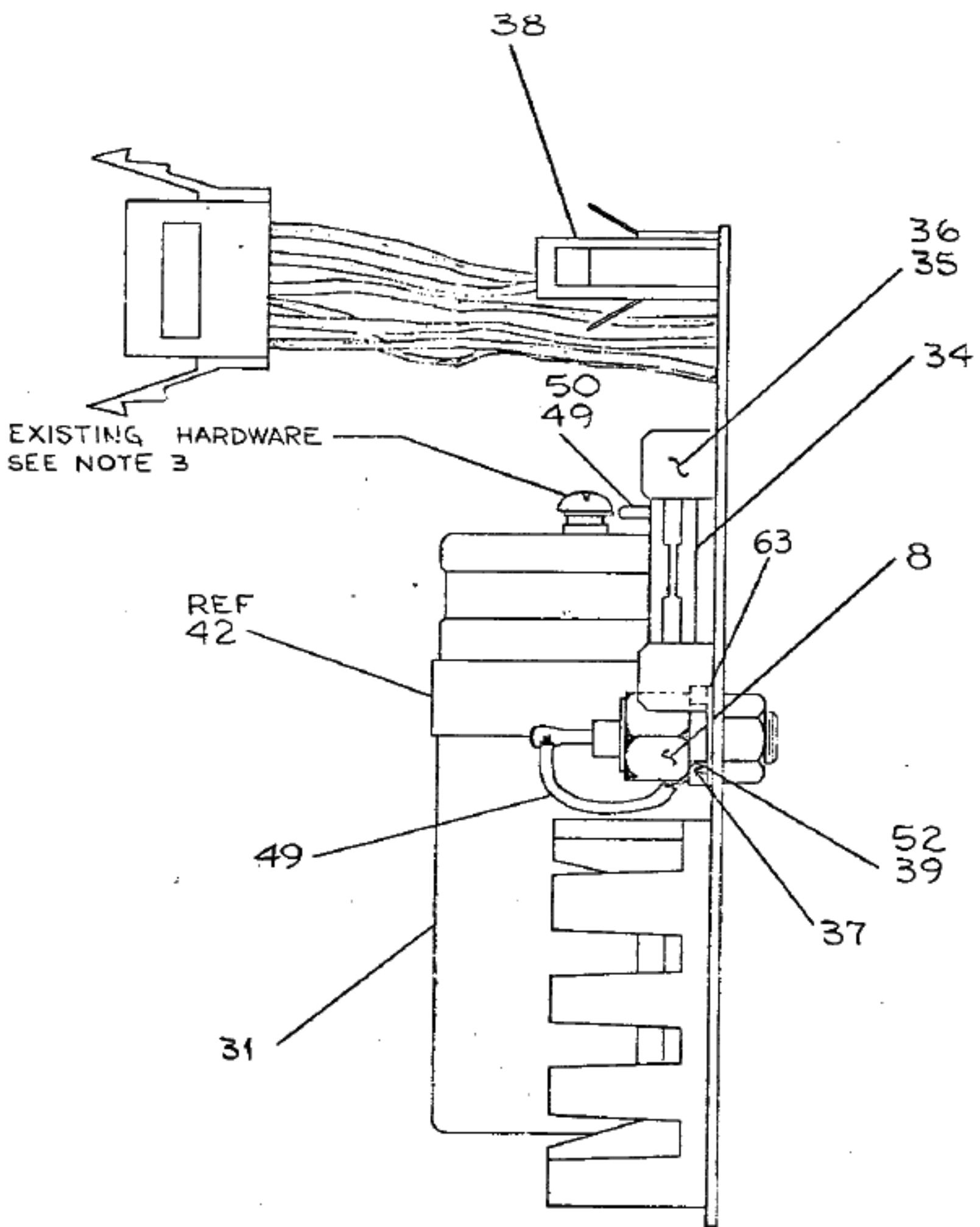


5.18 REF.





1	R8	1K 2W 10%	1300369	65
1	F2	FUSE, PICO 1/4AMP	1210929-4	64
1		FLAT WASHER	9006664	63
2		NUT, KEPS #6-32	9006560	62
2		SCR, PPH #6-32 X 7/16LG	9006023-1	61
1	C4	CAP .22UF 50V	1010274	60
1	R29	RESISTOR 2K, 1/2W, 1%	1302329	59
1	R17	RESISTOR 3.48K, 1/8W, 1%	1305114	58
1	R19	RESISTOR 3.16K, 1/8W, 1%	1303045	57
1	R31	RESISTOR 10, 1/4W, 5%	1301317	56
1	R20	RESISTOR 4.64K, 1/8W, 1%	1304856	55
A/R		#18 AWG BUS WIRE	9007560-3	54
2		EYELET GS-4-3	9007536	53
1		SPACER #10	9008825	52
1		KEPSNUT #8-32	9006563	51
2		TERMINAL RING	9007930	50
A/R		#18 AWG 14 STRD TEF INS (BLK)	9107560-00	49
12		CONTACTS FEMALE (CRIMP)	1209379	46
4		CONTACTS FEMALE (BOARD)	1209456	47
2		SCR, PHL PAN, HD. #4-40 X 1/2 LG	9006013-1	46
1		SCR, PPH PAN, HD. #8-32 X 3/8 LG	9006037-1	45
2		NUT, KEPS #4-40	9006557	44
1		MATE-N-LOCK (12 PIN)	1209350-12	43
1		C-CLAMP 1.38	9007093-1	42
1		HEAT SINK	1205817	41
1		INSULATOR, WASHER	9006721	40
A/R		COMPOUND THERMAL JOINT	9008268	39
1		MATE-N-LOCK (4 PIN)	1209350-4	35
3		SPLIT LUG M-1033	9006735	37
2		EYELET GS-4-7	9006732	36
2		FUSE CLIP	9007203	35
1	F1	FUSE AGC 5	9007221	34
1	C3	CAP 20 μ F @ 60V. 5%	1010716	33
1	C2	CAP 50 μ F @ 25V.	1001796	32
1	C1	CAP 5.8K μ F @ 40V.	1010860	31
1	R23	RESISTOR 2.0K 1/8W 1%	1302715	30
1	R18	RESISTOR 2.49K 1/2W 1%	1300424	29
3	R16, R21, R22	RESISTOR 10K 1/8W 1%	1303312	28
1	R15	RESISTOR 27.4K 1/8W 1%	1309417	27
1	R30	RESISTOR 24.3K 1/8W 1%	1309418	26
4	R14, R25, R26, R27	RESISTOR 470 Ω 1/4W. 5%	1300316	25
1	R11	RESISTOR 560 1/4W, 5%	1301590	24

F

E

D

1	R10	RESISTOR 390Ω 2W, 10%	1301880	23
1	R5	RESISTOR 1.5K 1W, 10%	1300375	22
1	R7	RESISTOR 270 1/4W 5%	1301972	21
2	R6, R9	RESISTOR 1K 1/4W, 5%	1300365	20
1	R5	RESISTOR 5.1Ω 1/4, 5%	1309422	19
1	R4	RESISTOR 390 1/4W, 5%	1300309	18
2	R2, R3	RESISTOR 200Ω 5W, 5%	1309639	17
1	R1	RESISTOR 3.9K 1/2W, 5%	1300443	16
4	Q5, Q11, Q15, Q17	TRANSISTOR 2N1309	1501311	15
4	Q4, Q10, Q14, Q16	TRANSISTOR 2N1308	1500583	14
7	Q3, Q6, Q7, Q8, Q9, Q12, Q13	TRANSISTOR MPSA55	1510706	13
1	Q2	TRANSISTOR DEC 2219	1501831	12
1	Q1	TRANSISTOR MJ3000	1511349	11
1	D12	DIODE 5.1V 1MA	1110925	10
4	D8, THRU D11	DIODE IN4002	1104861	9
1	D7	DIODE IN2970 B	1100134	8
1	D6	DIODE IN746A	1104860	7
1	D5	DIODE D664	1100114	6
1	D4	DIODE IN4001	1102942	5
1	D3	DIODE IN5353 B	1110854	4
1	D2	DIODE .4MS, 1Z1 5.1V 1%	1105973	3
1	D1	DIODE BRIDGE NSS 3514	1110714	2
		POWER CONTROL BOARD	D-IA-5009729-00	1
		MODULE ECO HISTORY :	B-MH-5409730-0-6	REF
		X-Y COORDINATE HOLE LOCATION	K-CO-5409730-0-4	REF
		CIRCUIT SCHEMATIC	C-CS-5409730-0-1	REF
QTY	REF DESIGNATION	DESCRIPTION	PART NO.	ITEM NO.

C

REV

NUMBER

N

5409730-0-0

SIZE CODE

TA

E

00

