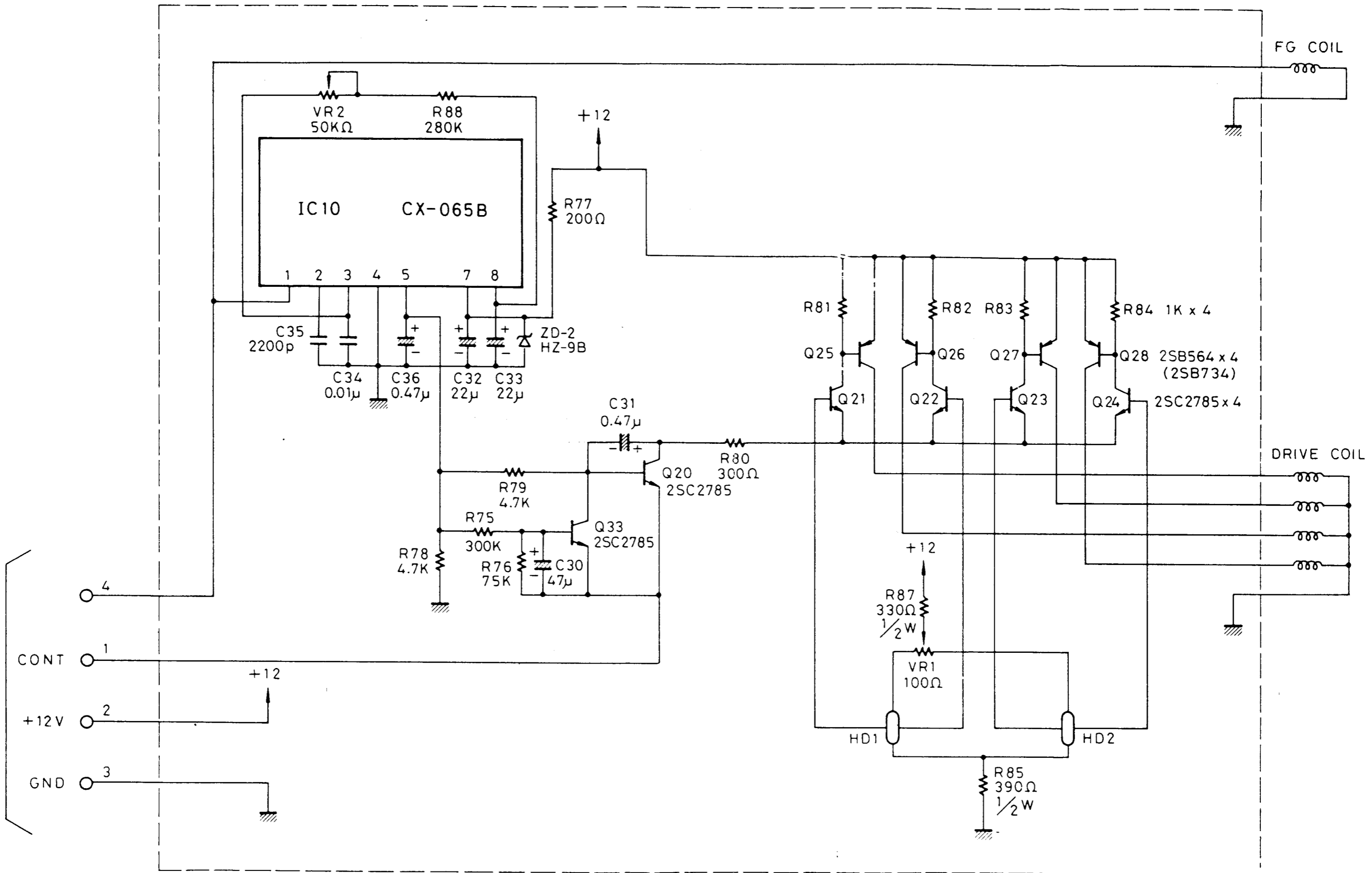


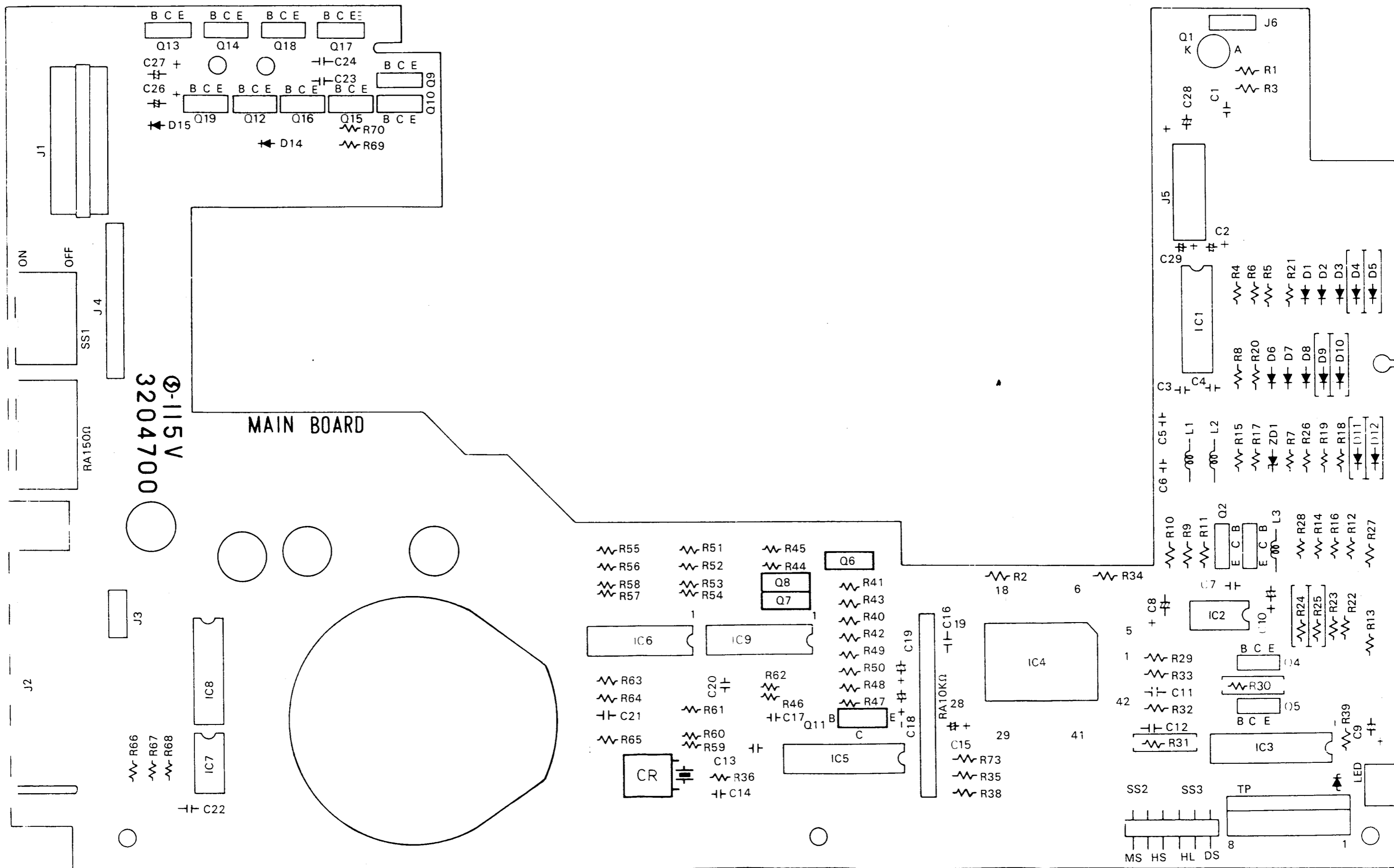
TF-20(forHX-20)  
 FDHC BOARD  
 UNIT NO.Y311203000

1 3  
CONT  
+12V  
GND



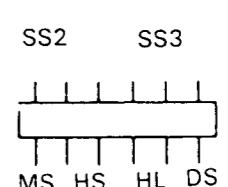
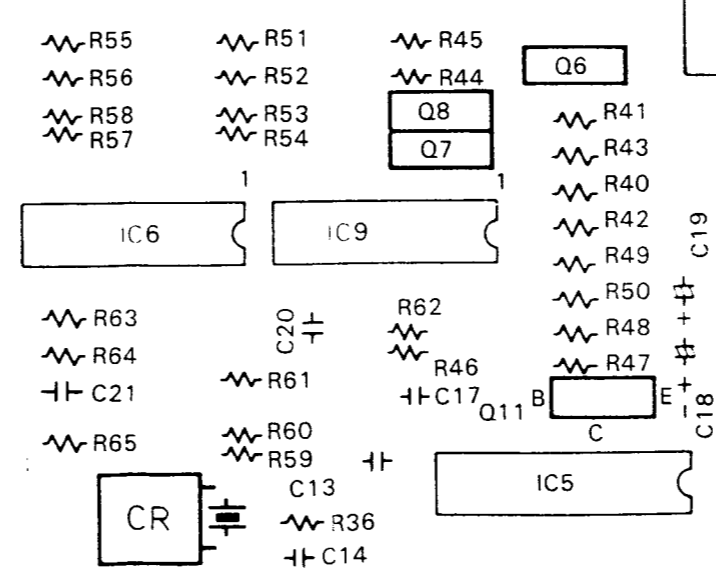
DM BOARD

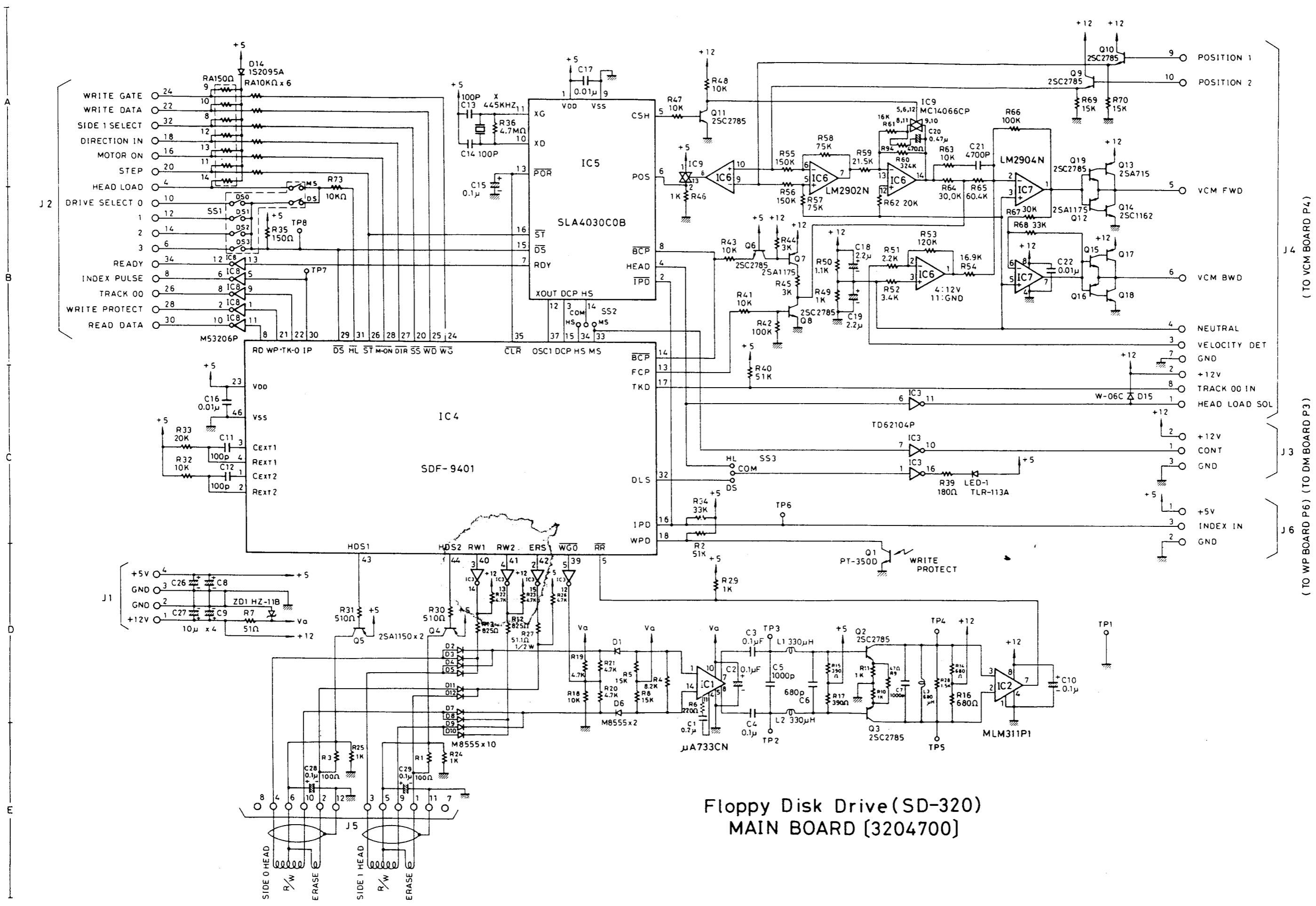
Floppy Disk Drive (SD-320)  
DM BOARD



0-115V  
3204700

MAIN BOARD

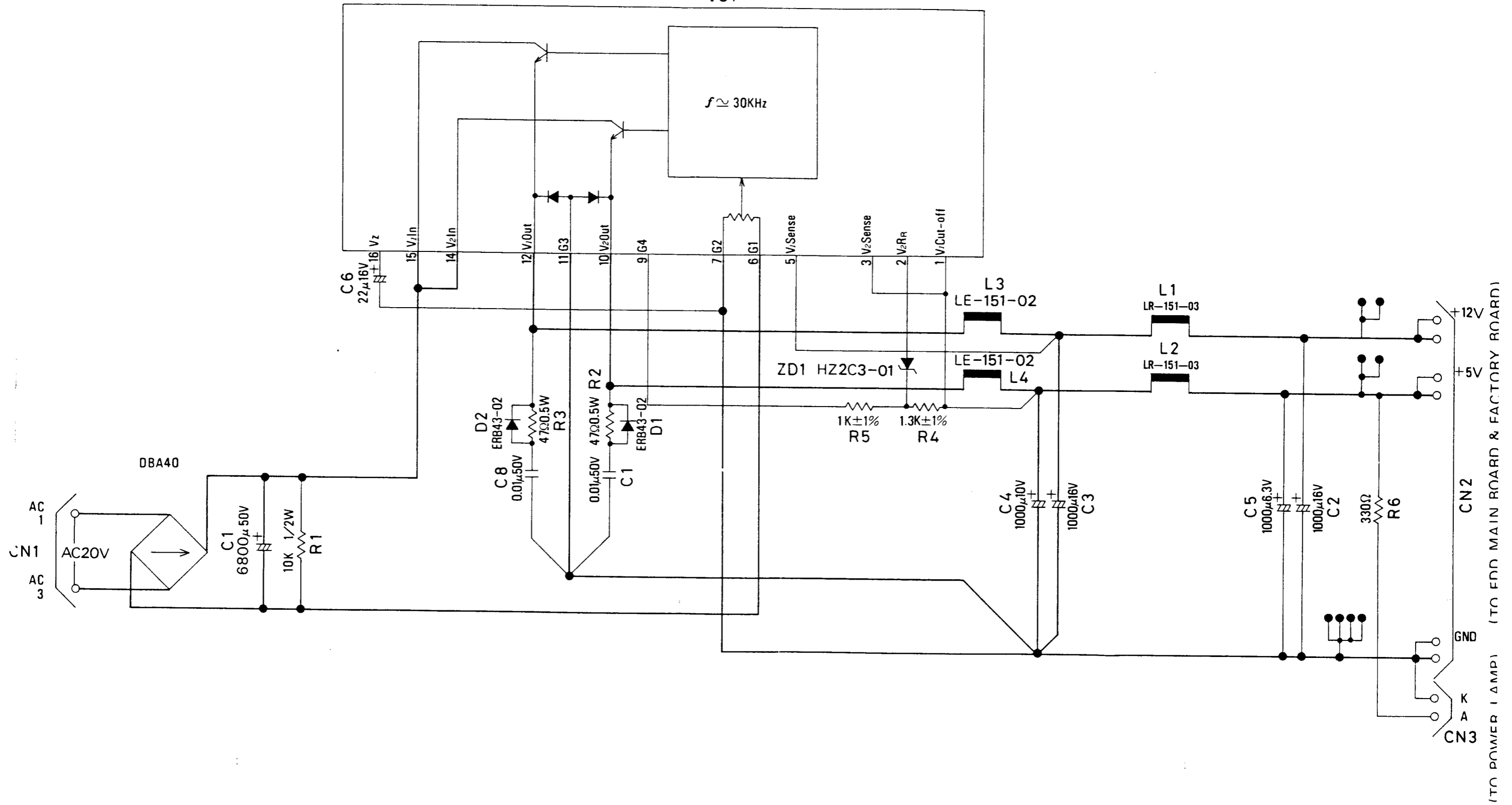




Floppy Disk Drive (SD-320)  
MAIN BOARD (3204700)

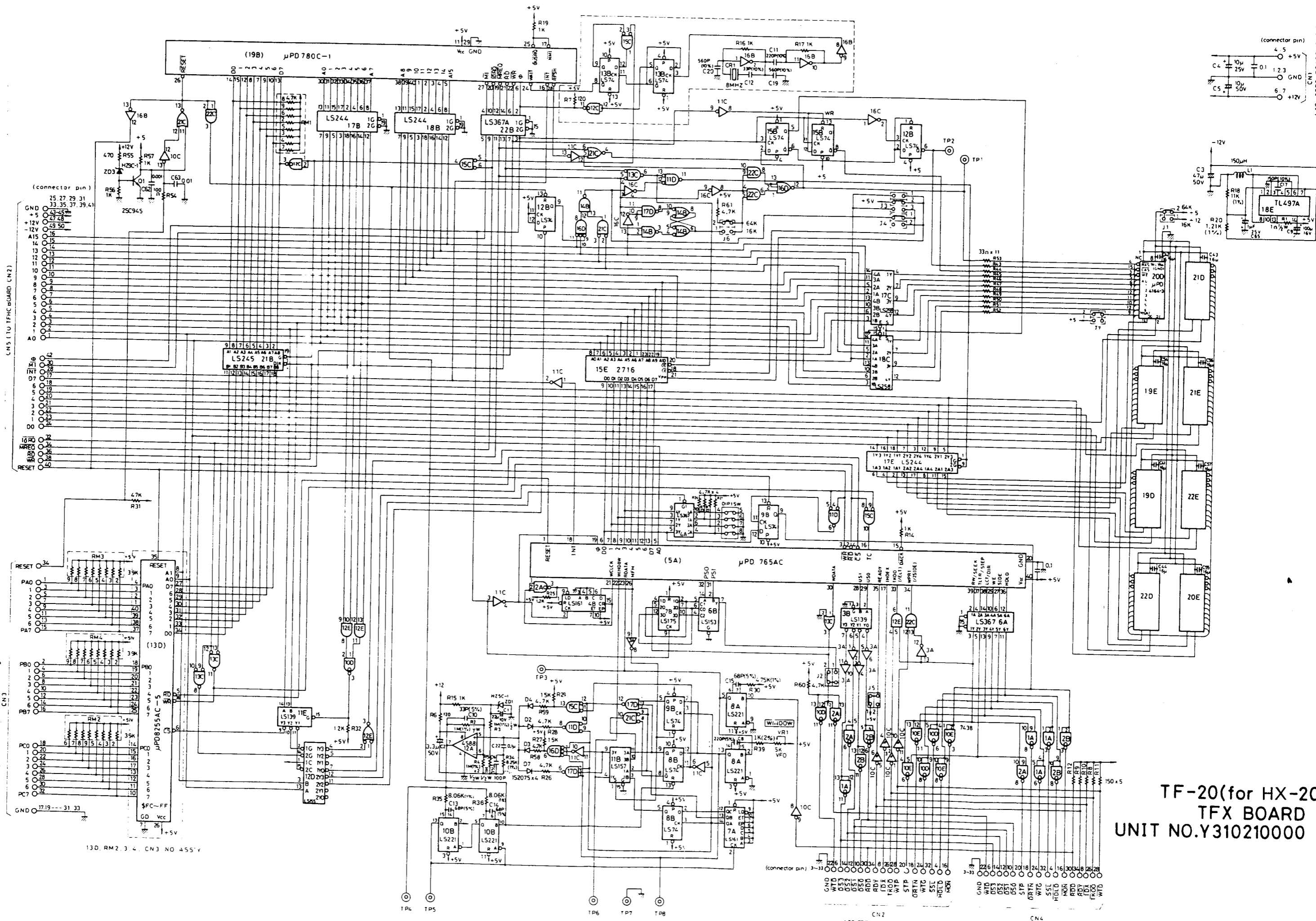
STK 7551

IC1

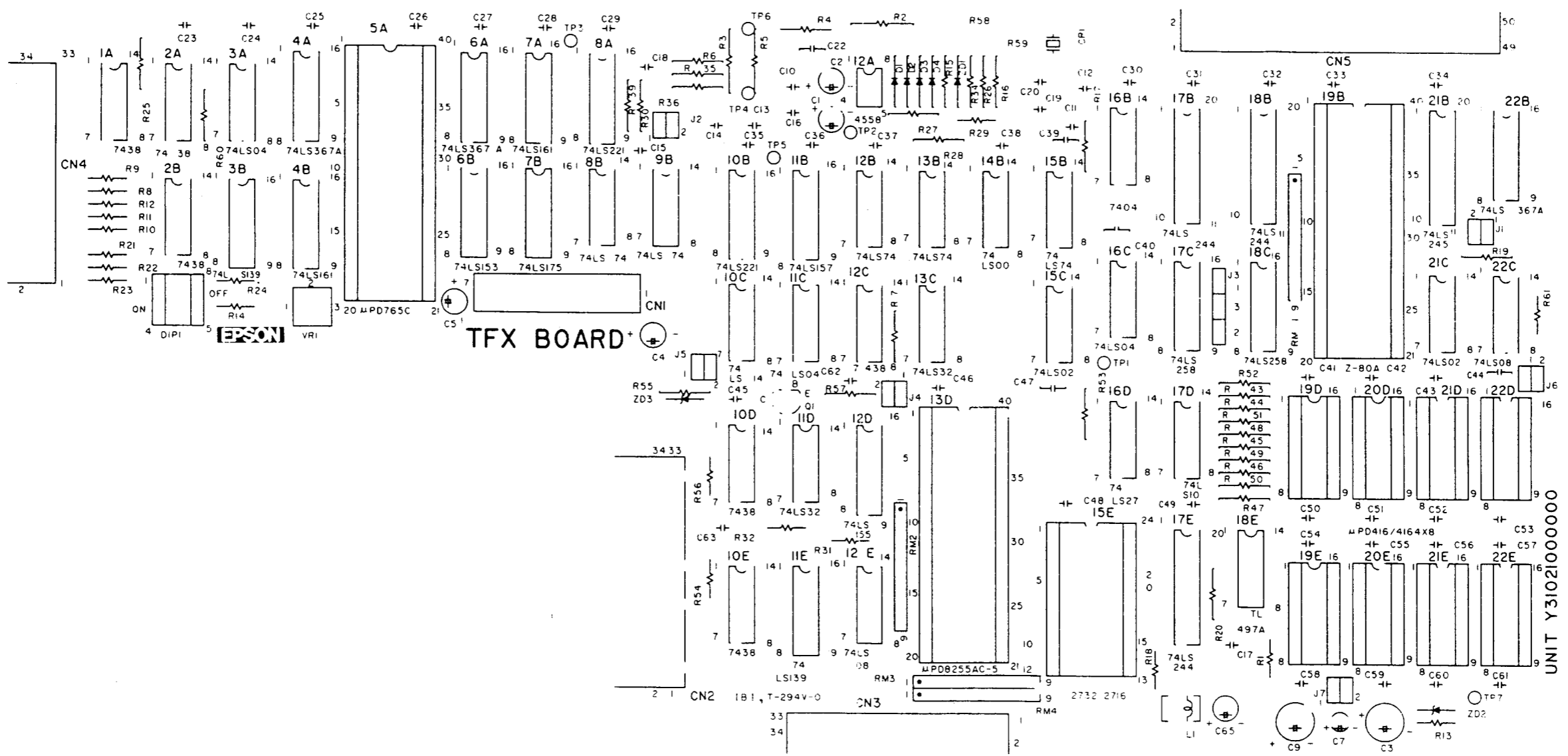


TF-20  
TFPS BOARD  
UNIT NO. Y310202100

(TO POWER I AMP) (TO FDD MAIN BOARD & FACTORY BOARD)



**TF-20(for HX-2C  
TFX BOARD  
UNIT NO.Y310210000**



TFX BOARD

UNIT Y3102100000