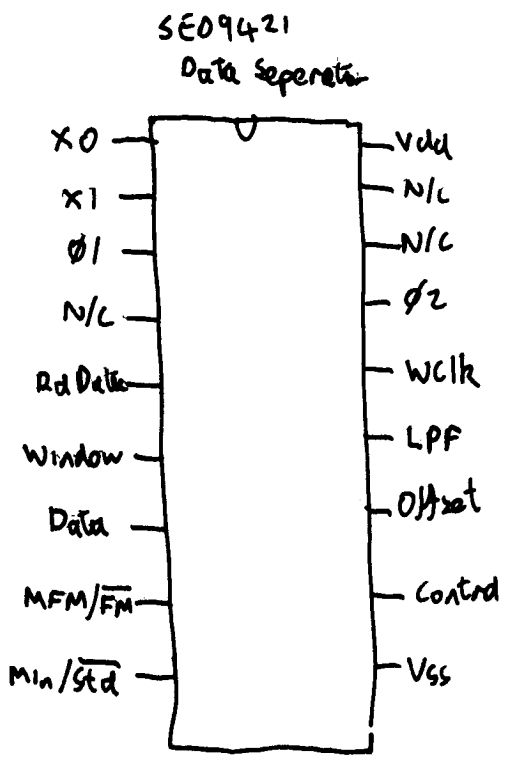


	AIn	BIn	Aout	Bout
Brake	1	1	L	L
Fwd	1	0	L	H
Rev	0	1	H	L
Stby	0	0	-	-

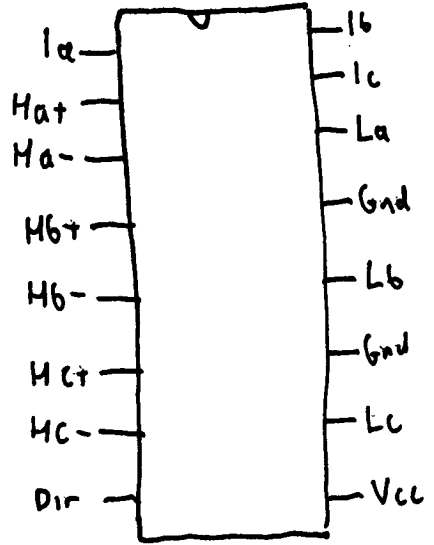


HD 6303XF Microcontroller

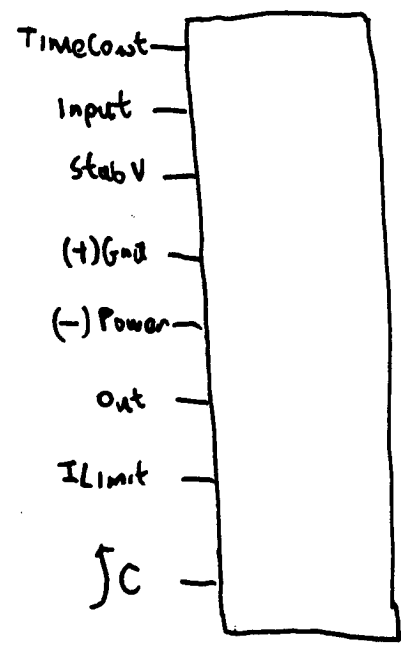
1: NMI/	21: P57	41: N/C	61: N/C
2: N/C	22: N/C	42: N/C	62: D2
3: N/C	23: N/C	43: A8	63: N/C
4: N/C	24: N/C	44: Vss	64: D1
5: P20	25: P60	45: A7	65: D0
6: P21	26: P61	46: A6	66: BA
7: P22	27: P62	47: A5	67: LIR/
8: P23	28: P63	48: A4	68: N/C
9: P24	29: P64	49: A3	69: R/W
10: P25	30: P65	50: A2	70: Wr/
11: P26	31: P66	51: A1	71: Rd/
12: P27	32: P67	52: A0	72: E
13: N/C	33: Vcc	53: N/C	73: Vss
14: P50	34: A15	54: N/C	74: Xtal
15: P51	35: A14	55: D7	75: Extal
16: P52	36: A13	56: D6	76: N/C
17: P53	37: A12	57: D5	77: MP0
18: P54	38: A11	58: D4	78: MP1
19: P55	39: A10	59: D3	79: Res/
20: P56	40: A9	60: N/C	80: Stby/

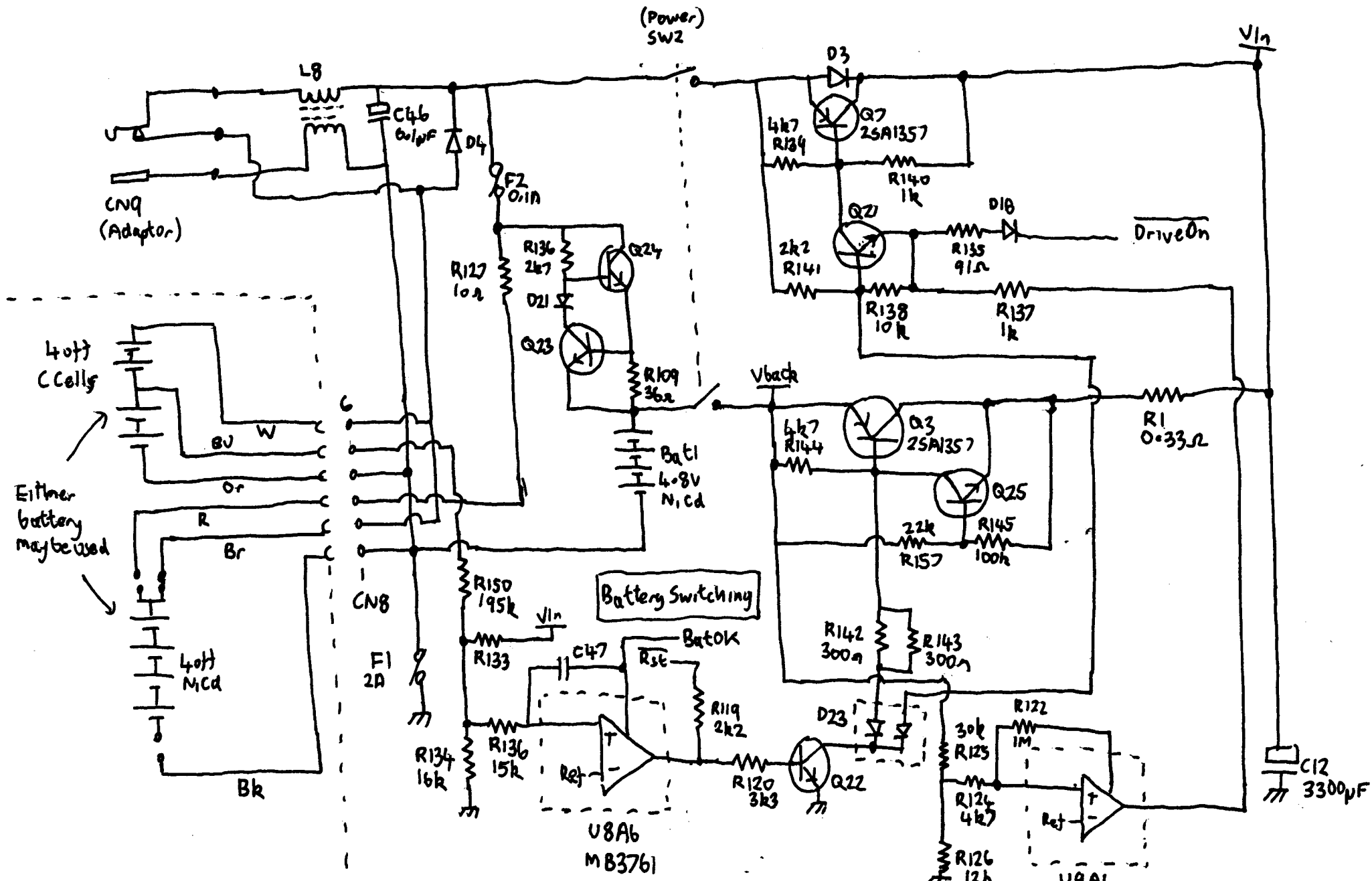
PF10

TA7745F
3 phase Motor Controller.

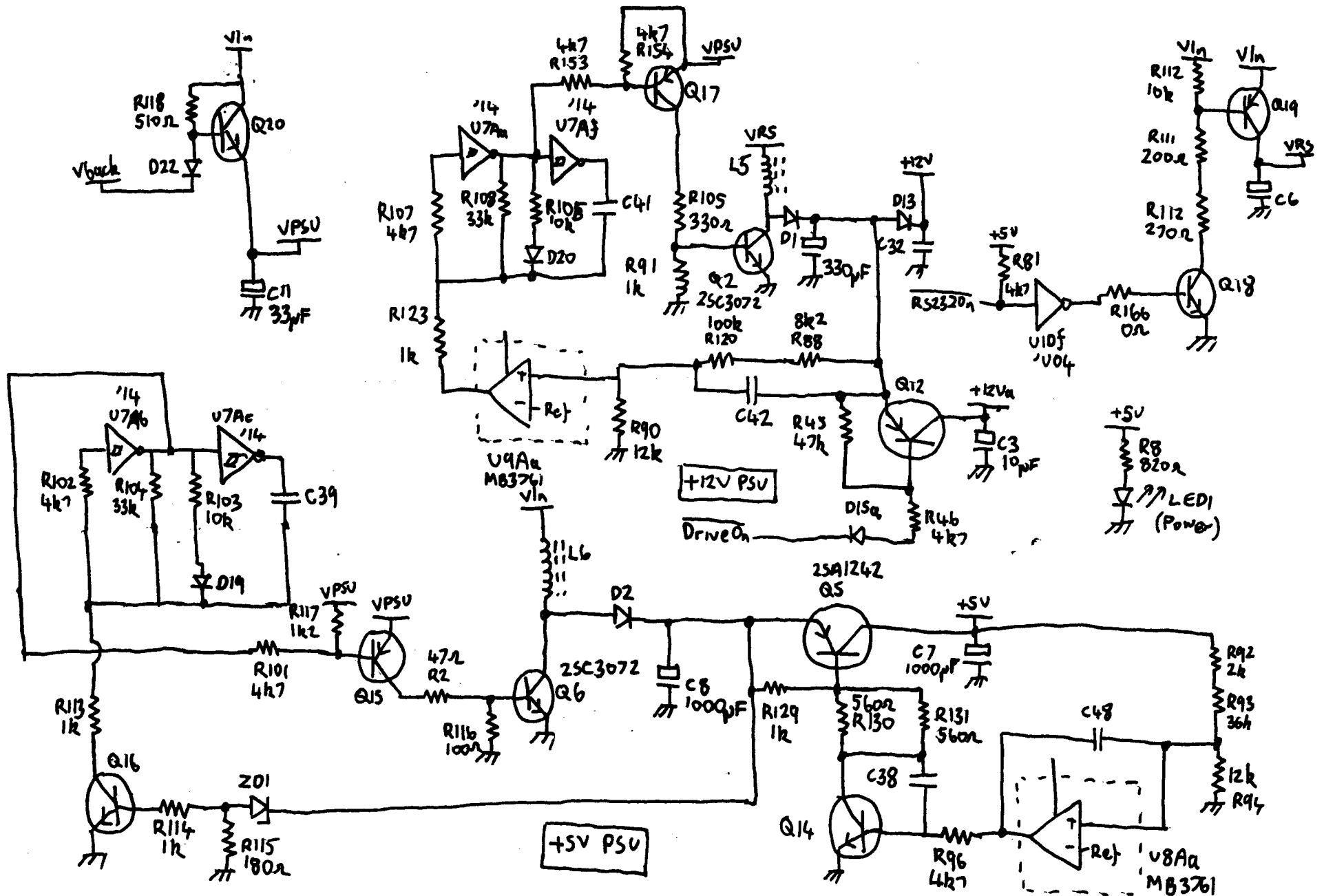


MS1970L
Motor Speed Controller.

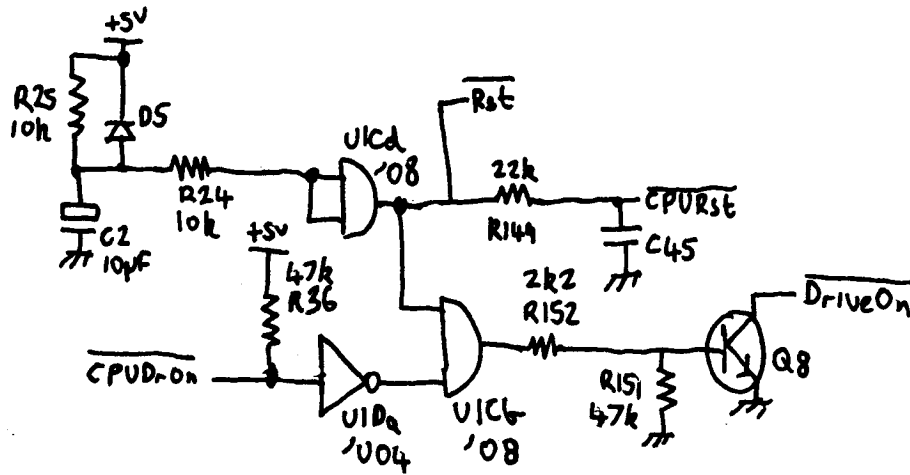
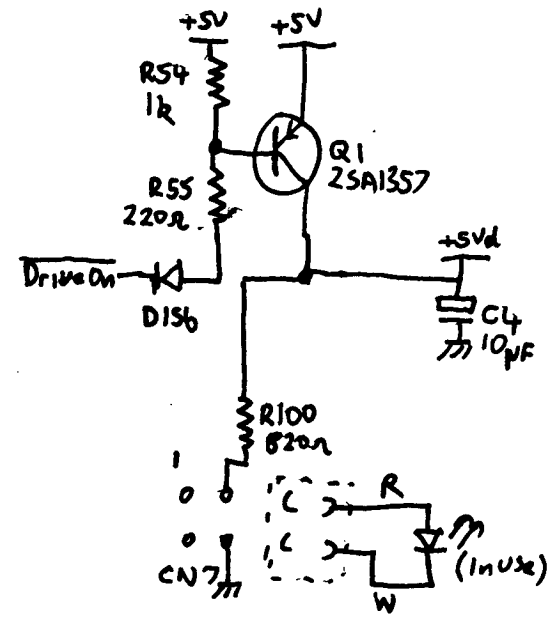
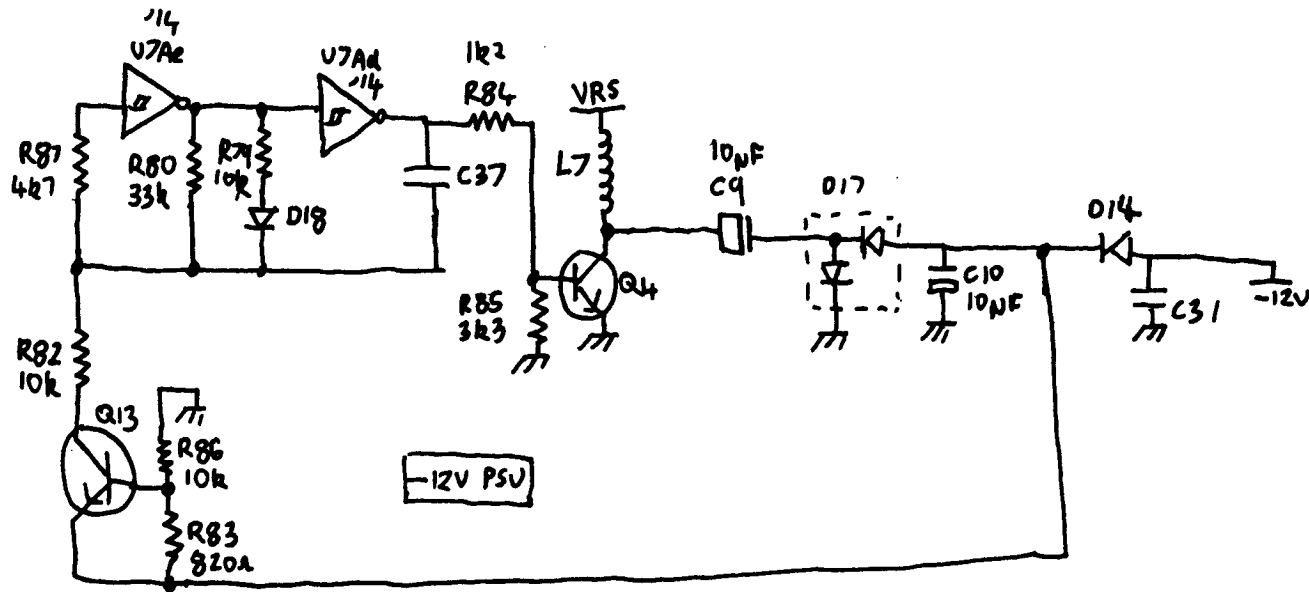




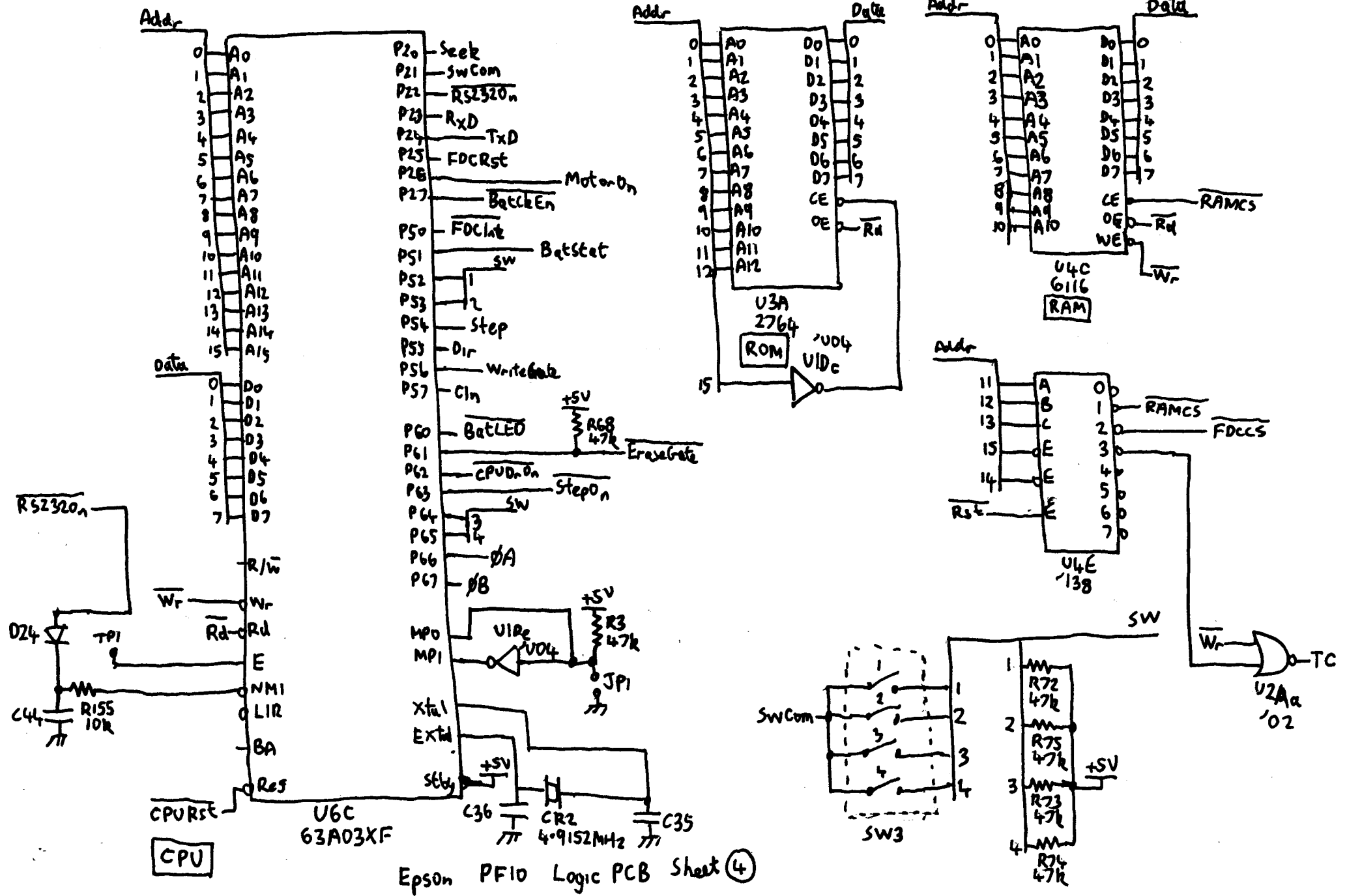
Epson PF10 Logic PCB Sheet ①



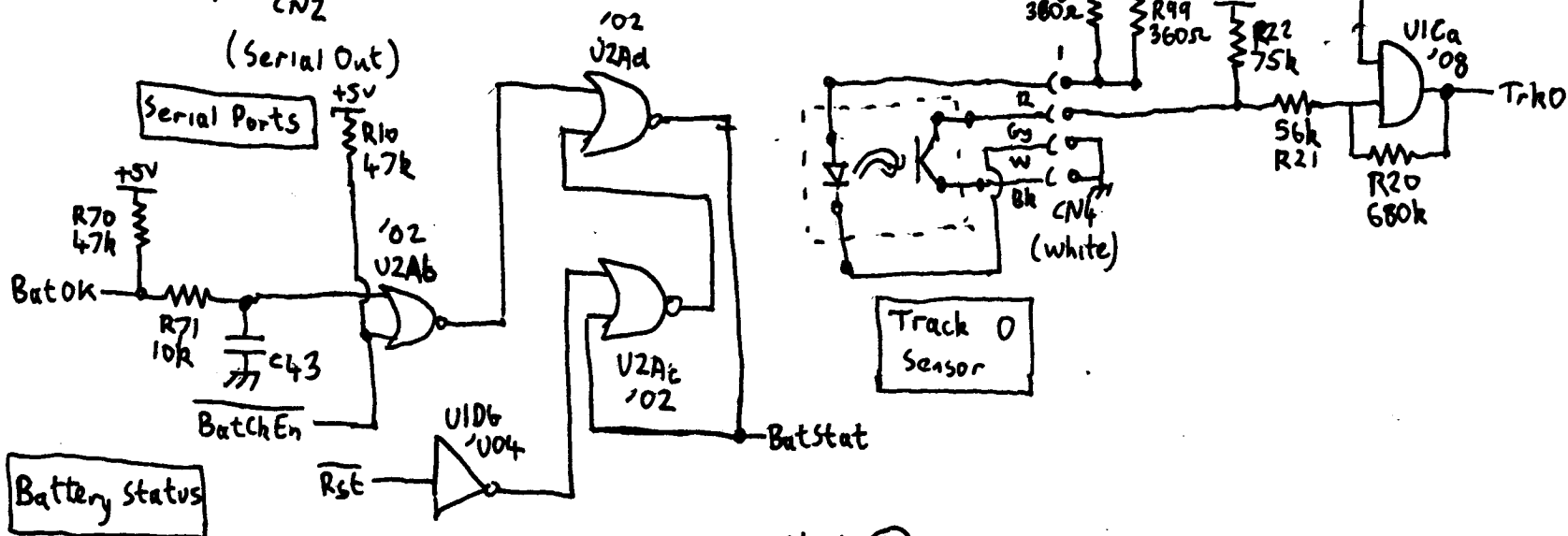
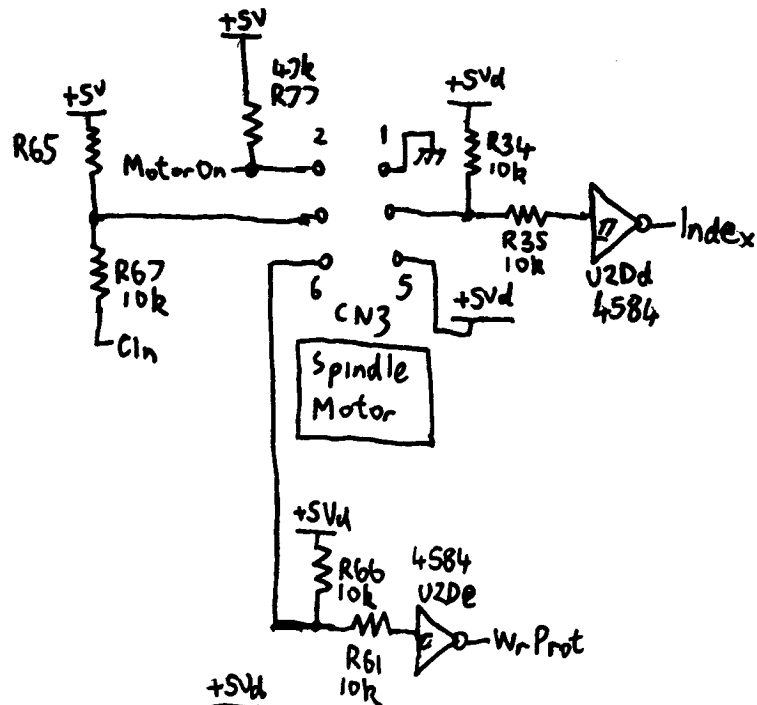
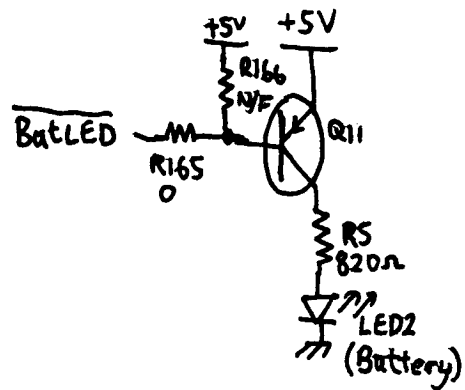
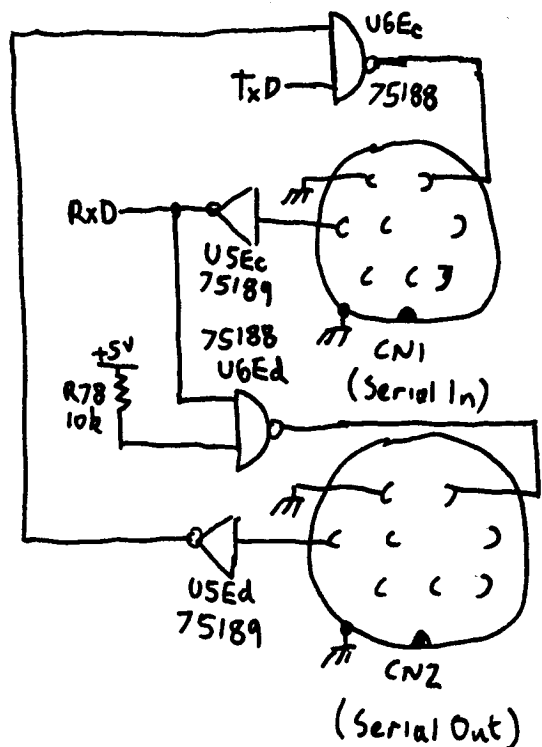
Epson PF10 Logic PCB Sheet (2)



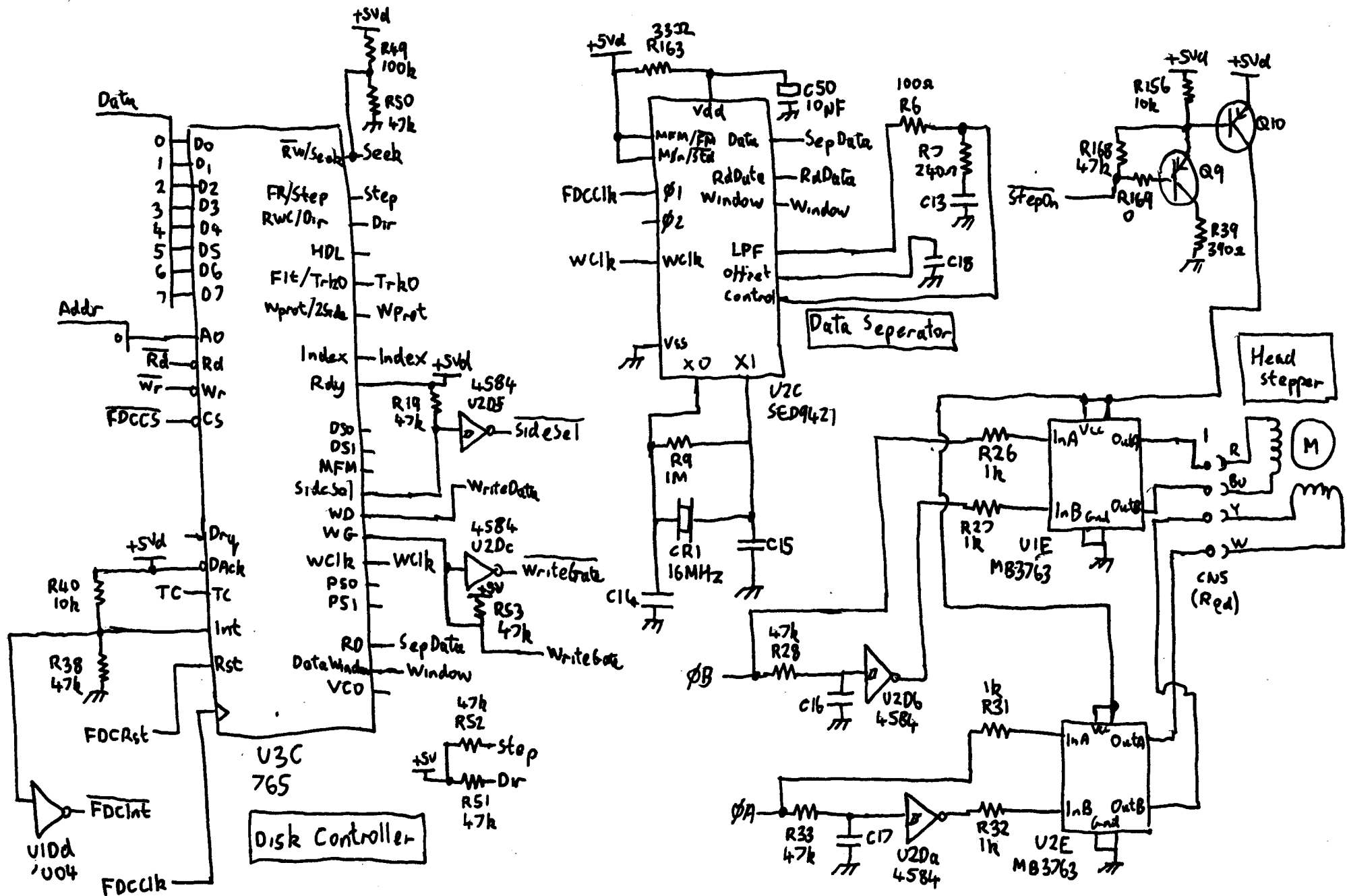
Power switching



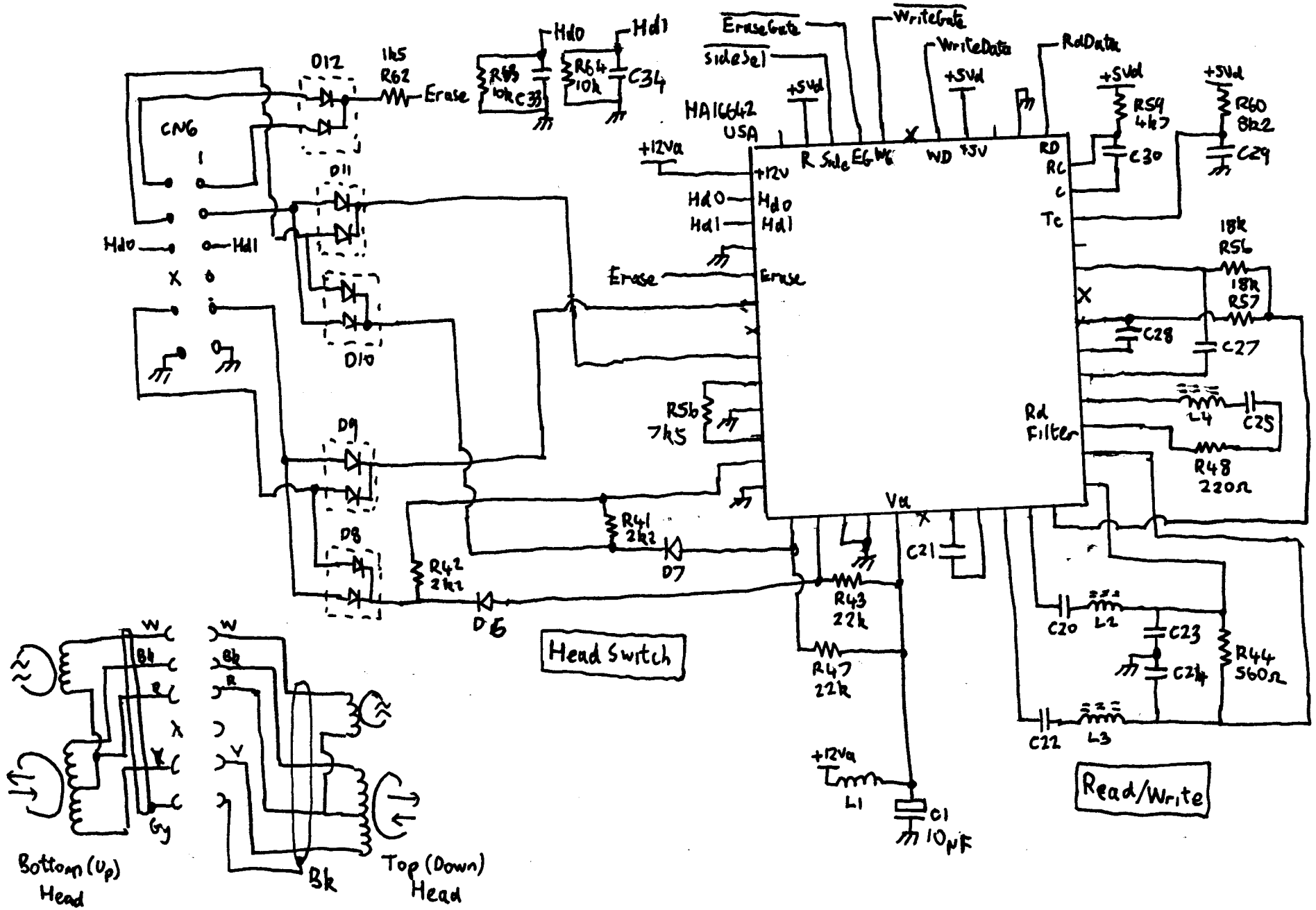
Epson PF10 Logic PCB Sheet (4)



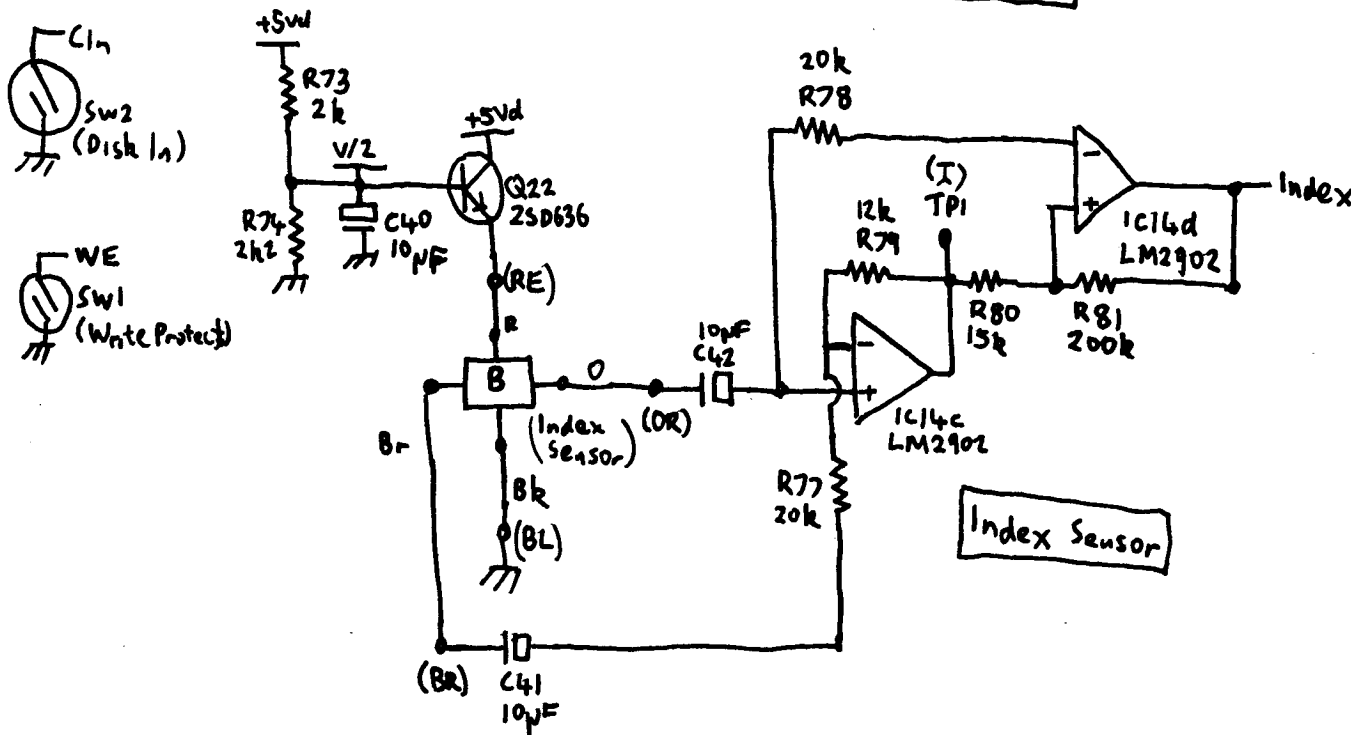
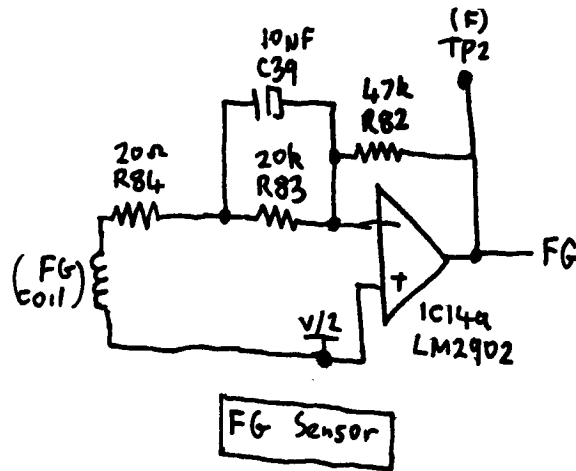
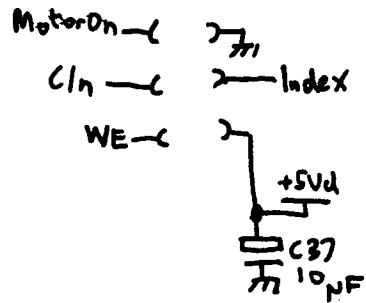
Epson PF10 Logic PCB sheet (5)



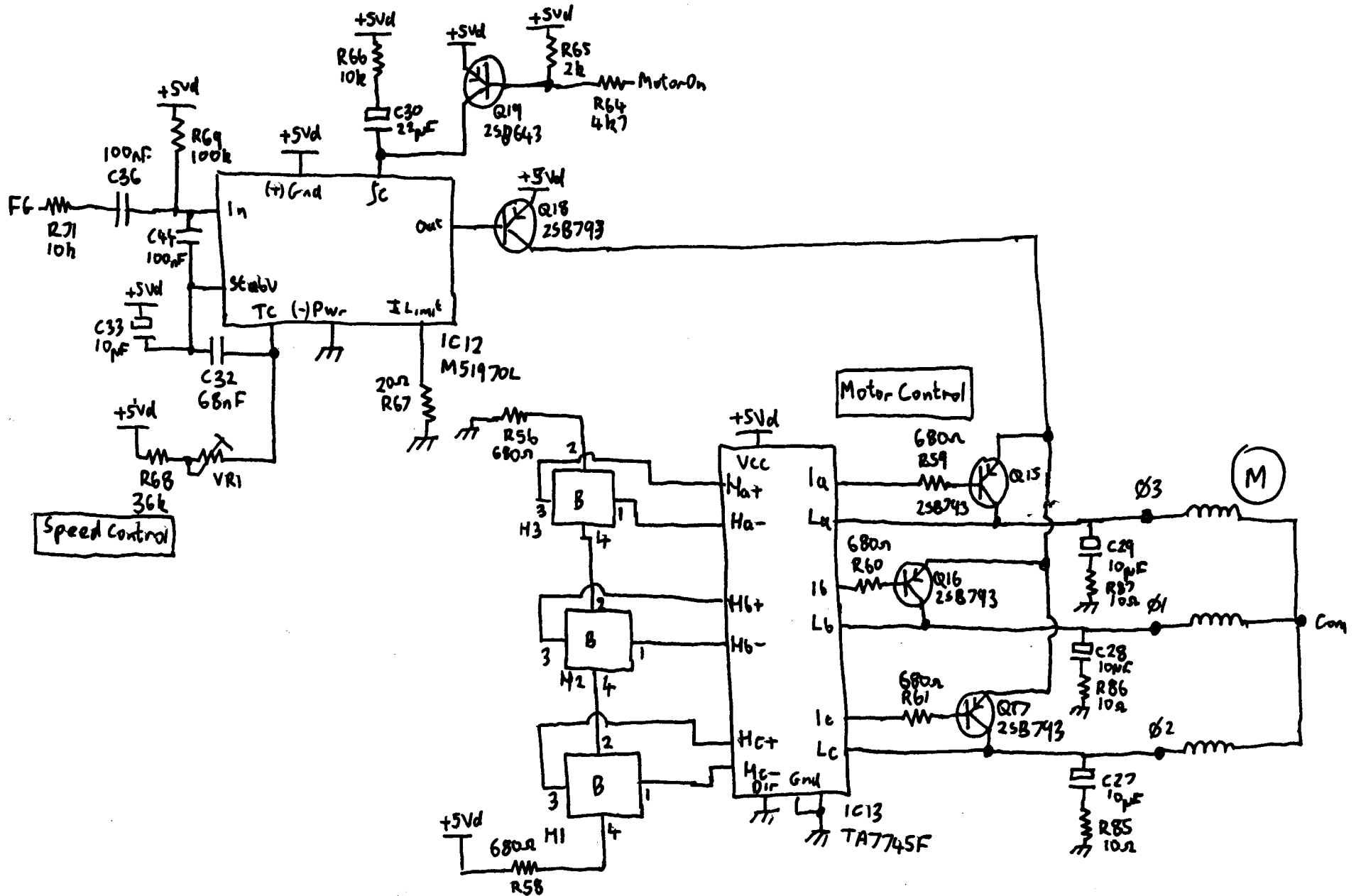
Epson PF10 Logic PCB sheet (6)



Epson PF10 Logic PCB Sheet (7)



Epson PF10 Spindle Motor PCB Sheet ①



Epson PF10 Spindle Motor PCB sheet (2)