

"THE MATERIAL HEREIN IS FOR INFORMATION PURPOSES ONLY AND IS SUBJECT TO CHANGE WITHOUT NOTICE. DIGITAL EQUIPMENT CORPORATION ASSUMES NO RESPONSIBILITY FOR ANY ERRORS WHICH MAY APPEAR HEREIN."

# FIELD MAINTENANCE PRINT SET


"THIS DRAWING AND SPECIFICATIONS, HEREIN, ARE THE PROPERTY OF DIGITAL EQUIPMENT CORPORATION AND SHALL NOT BE REPRODUCED OR COPIED OR USED IN WHOLE OR IN PART AS THE BASIS FOR THE MANUFACTURE OR SALE OF ITEMS WITHOUT WRITTEN PERMISSION. COPYRIGHT © 1977, DIGITAL EQUIPMENT CORPORATION."

## TABLE OF CONTENTS

B-TC-MSV11-D-1	FIELD MAINTENANCE PRINT SET
B-DD-MSV11-D	DRAWING DIRECTORY (MSV11-D)
A-PL-MSV11-D-Ø	PARTS LIST (MSV11-D)
D-BD-MSV11-D-4	MSV11-D/E BLOCK DIAGRAM (MSV11-D)
D-FD-MSV11-D-5	MSV11-D/E FLOW DIAGRAM (MSV11-D)
D-TD-MSV11-D-6	MSV11-D/E TIMING DIAGRAM (MSV11-D)
B-DD-M8Ø44-Ø	DRAWING DIRECTORY (M8Ø44)
A-PL-M8Ø44-Ø-Ø	PARTS LIST (M8Ø44)
D-UA-M8Ø44-Ø-Ø	UNIT ASSEMBLY (M8Ø44)(SHT 1 THRU 4 ONLY)
D-CS-M8Ø44-Ø-1	CIRCUIT SCHEMATIC (M8Ø44)
MP ØØ566	MSV11-D FIELD MAINTENANCE PRINT SET

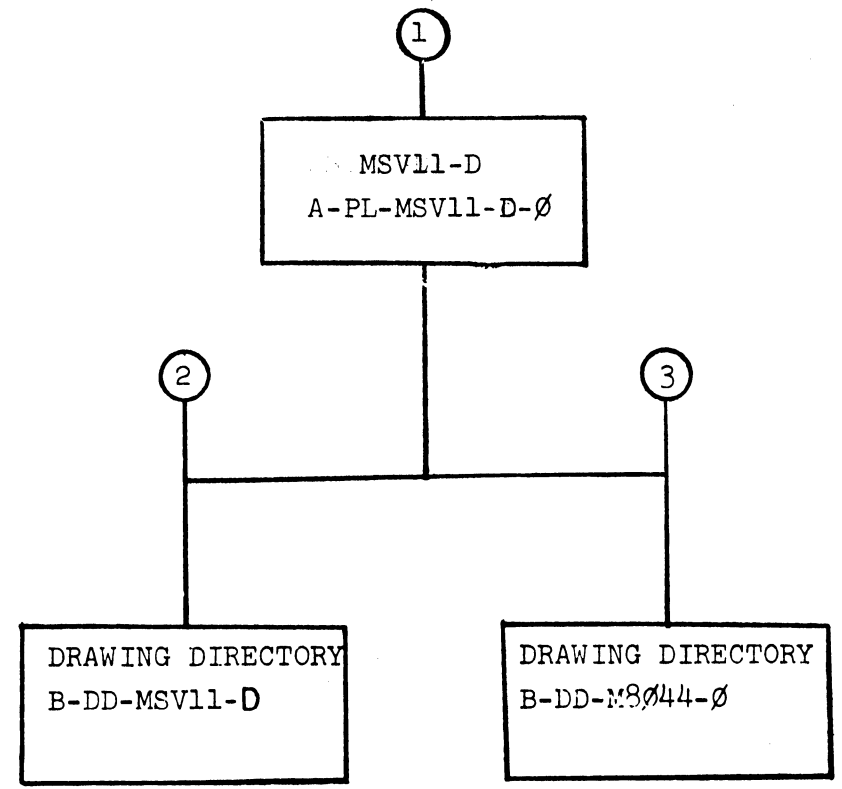
UNIT VARIATIONS COVERED BY THIS PRINT SET
MSV11-DA
MSV11-1B
MSV11-1C
MSV11-DD

MSV11-D  
**Field Maintenance  
 Print Set**  
  
 MPØØ566  
  
**Digital Equipment  
 Corporation**

REVISIONS	REV.		USED ON OPTION/MODEL	DRN.	DATE		
	CHG. NO.		LST II	E. DeVries	14-12-77		TITLE: MSV11-D (32K X 16) MOS MEMORY SYSTEM
	DATE			CHK'D	DATE		
					R. Nixon		2-21-78
					PROJ. ENG.		DATE
				R. Nixon	2-21-78		
				FIELD SERV.	DATE	SIZE	
				R. Nixon	2 MAR 78	D	
			SHEET 2 OF 1			CODE	
						TG	
						NUMBER	
						MSV11-D-1	
						REV.	
						*	
						DIST.	



"THIS DRAWING AND SPECIFICATIONS, HEREIN, ARE THE PROPERTY OF DIGITAL EQUIPMENT CORPORATION AND SHALL NOT BE REPRODUCED OR COPIED OR USED IN WHOLE OR IN PART AS THE BASIS FOR THE MANUFACTURE OR SALE OF ITEMS WITHOUT WRITTEN PERMISSION.  
COPYRIGHT © 1977 DIGITAL EQUIPMENT CORPORATION"



FIND NO.	DRAWING NO.	DESCRIPTION	TYPE	FIND NO.	DRAWING NO.	DESCRIPTION	TYPE
	MP00566	FIELD MAINTENANCE PRINT SET (MP)	-				
	B-TC-MSV11-D-1	FIELD MAINTENANCE PRINT SET (TC)	-				
1	A-PL-MSV11-D-0	PARTS LIST (MSV11-D)	E/M				
	D-BD-MSV11-D-4	MSV11D/E BLOCK DIAGRAM	E				
	D-FD-MSV11-D-5	MSV11 D/E FLOW DIAGRAM	E				
	D-TD-MSV11-D-6	MSV11 D/E TIMING DIAGRAM	E				
	A-SP-MSV11-D-3	MSV11-D SYSTEM SPECIFICATION	E/M				
	A-PL-MSV11-D-7	MSV11-D SHIPPING LIST	-				
	EK-MSV1D-OP-001	USERS MANUAL	E/M				
	<del>D-CS-MSV11-D-10</del>	<del>MSV11-D 32K MOS MEMORY</del>	<del>E</del>				
2	B-DD-MSV11-D	DRAWING DIRECTORY MSV11-D MOS MEMORY SYSTEM	E/M				
3	B-DD-M8044-0	DRAWING DIRECTORY (M8044) MODULE	E/M				

TYPE: E ELECTRICAL  
M MECHANICAL  
E/M ELECTRO/MECHANICAL



TITLE

DRAWING DIRECTORY MOS MEM.  
MSV11-D (32K X 16) SYSTEM

SHEET 3 OF 3

SIZE CODE  
B DD

NUMBER  
MSV11-D

REV  
A

**DIGITAL EQUIPMENT CORPORATION  
MAYNARD, MASSACHUSETTS  
PARTS LIST**

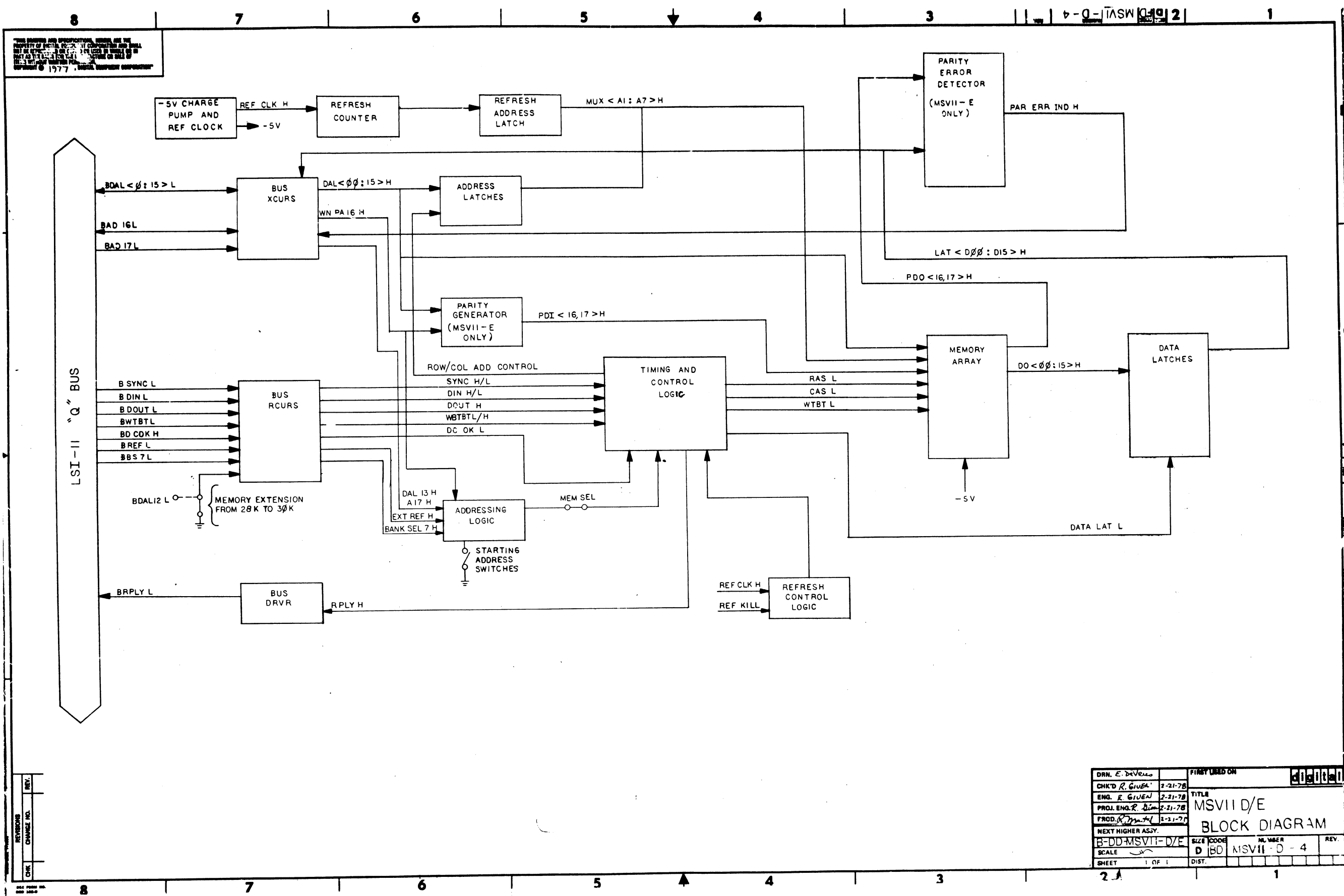
MADE BY E.DEVRIES	CHECKED R. GIVEN	SECTION
DATE 14-12-77	DATE 2-21-78	
ENG R. Given	PROD R. Mantel	ISSUED SECT.
DATE 2-21-78	DATE 2-21-78	

**QUANTITY VARIATION**

MSV11-D																				

ITEM NO.	DWG NO./PART NO.	DESCRIPTION
1	D-UA-M8044-0-0	MSV11-D (32K X 16) MOS MEMORY SYSTEM
2	D-BD-MSV11-D-4	MSV11-D/E BLOCK DIAGRAM
3	D-FD-MSV11-D-5	MSV11-D/E FLOW DIAGRAM
4	A-SP-MSV11-D-3	MSV11-D SYSTEM SPECIFICATION
5	D-TD-MSV11-D-6	MSV11-D/E TIMING DIAGRAM
6	A-PL-MSV11-D-7	MSV11-D SHIPPING LIST

<b>TITLE</b> MSV11-D (32K - 16) MOS MEMORY SYSTEM	<b>ASSY NO.</b> B-DD-MSV11-D	<b>SIZE</b> A	<b>CODE</b> PL	<b>NUMBER</b> MSV11-D-0	<b>REV</b> *	<b>ECO NO.</b>
<b>SHEET 1 OF 1</b>		<b>DIST</b>				



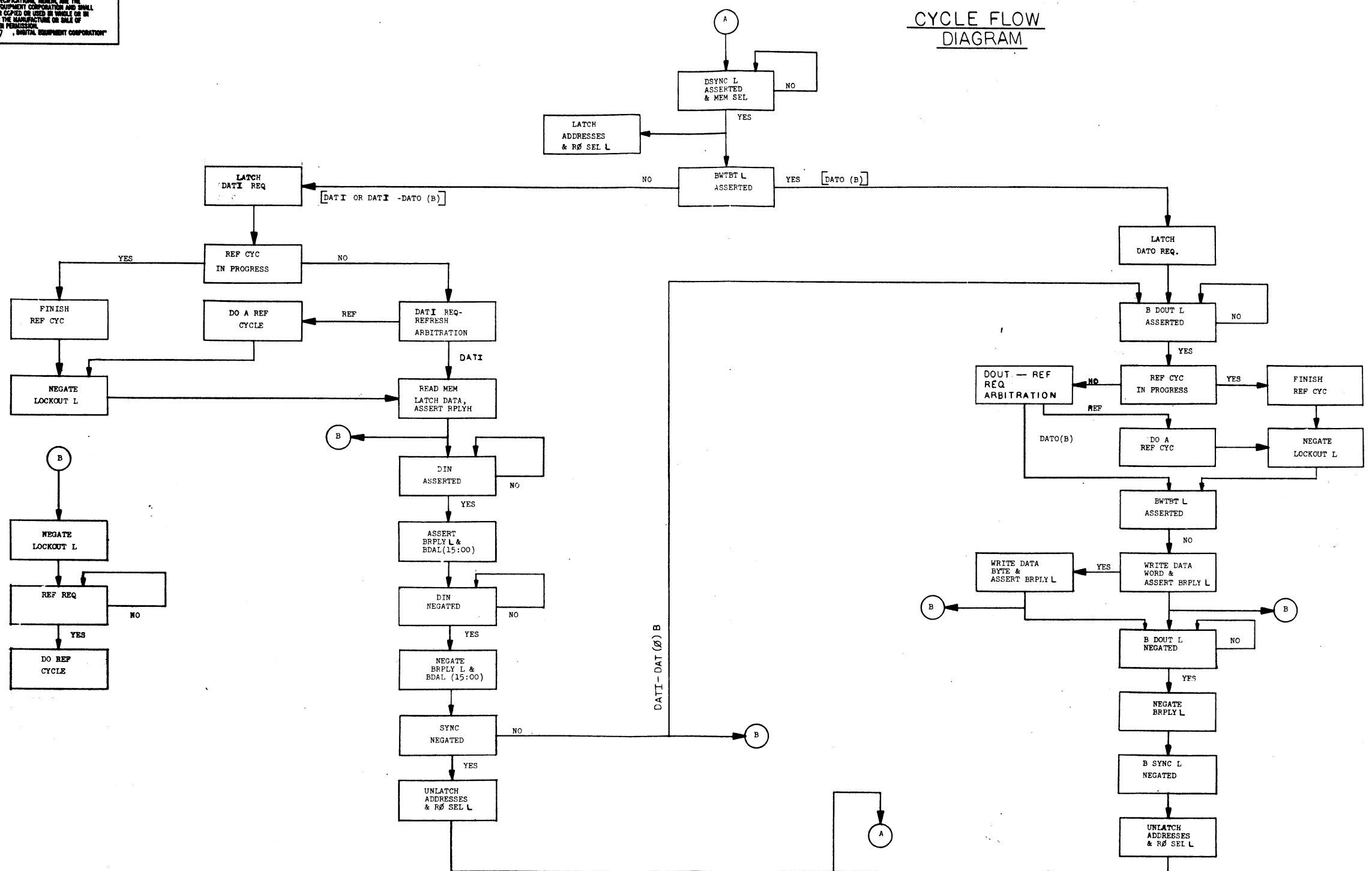
THIS DRAWING AND SPECIFICATIONS, HEREIN, ARE THE PROPERTY OF MICHAEL BAKER CORPORATION AND SHALL NOT BE REPRODUCED, COPIED, OR TRANSMITTED IN ANY FORM OR BY ANY MEANS, ELECTRONIC OR MECHANICAL, INCLUDING PHOTOCOPYING, RECORDING, OR BY ANY INFORMATION STORAGE AND RETRIEVAL SYSTEM, WITHOUT THE WRITTEN PERMISSION OF MICHAEL BAKER CORPORATION.

REV.	
CHANGE NO.	
REVISIONS	

DRN. E. DeVito	FIRST USED ON	410000
CHK'D R. Given	2-21-78	
ENG. R. Given	2-21-78	TITLE
PROJ. ENG. R. Given	2-21-78	MSVII D/E
PROD. R. Given	2-21-78	BLOCK DIAGRAM
NEXT HIGHER ASSY.		
B-DD-MSVII-D/E	SIZE CODE	NUMBER
SCALE	D	BD MSVII-D-4
SHEET 1 OF 1	DIST.	

CYCLE FLOW DIAGRAM

THIS DRAWING AND SPECIFICATIONS HEREIN ARE THE PROPERTY OF DIGITAL EQUIPMENT CORPORATION AND SHALL NOT BE REPRODUCED OR COPIED OR USED IN WHOLE OR IN PART AS THE BASIS FOR THE MANUFACTURE OR SALE OF ITEMS WITHOUT WRITTEN PERMISSION. COPYRIGHT © 1977, DIGITAL EQUIPMENT CORPORATION

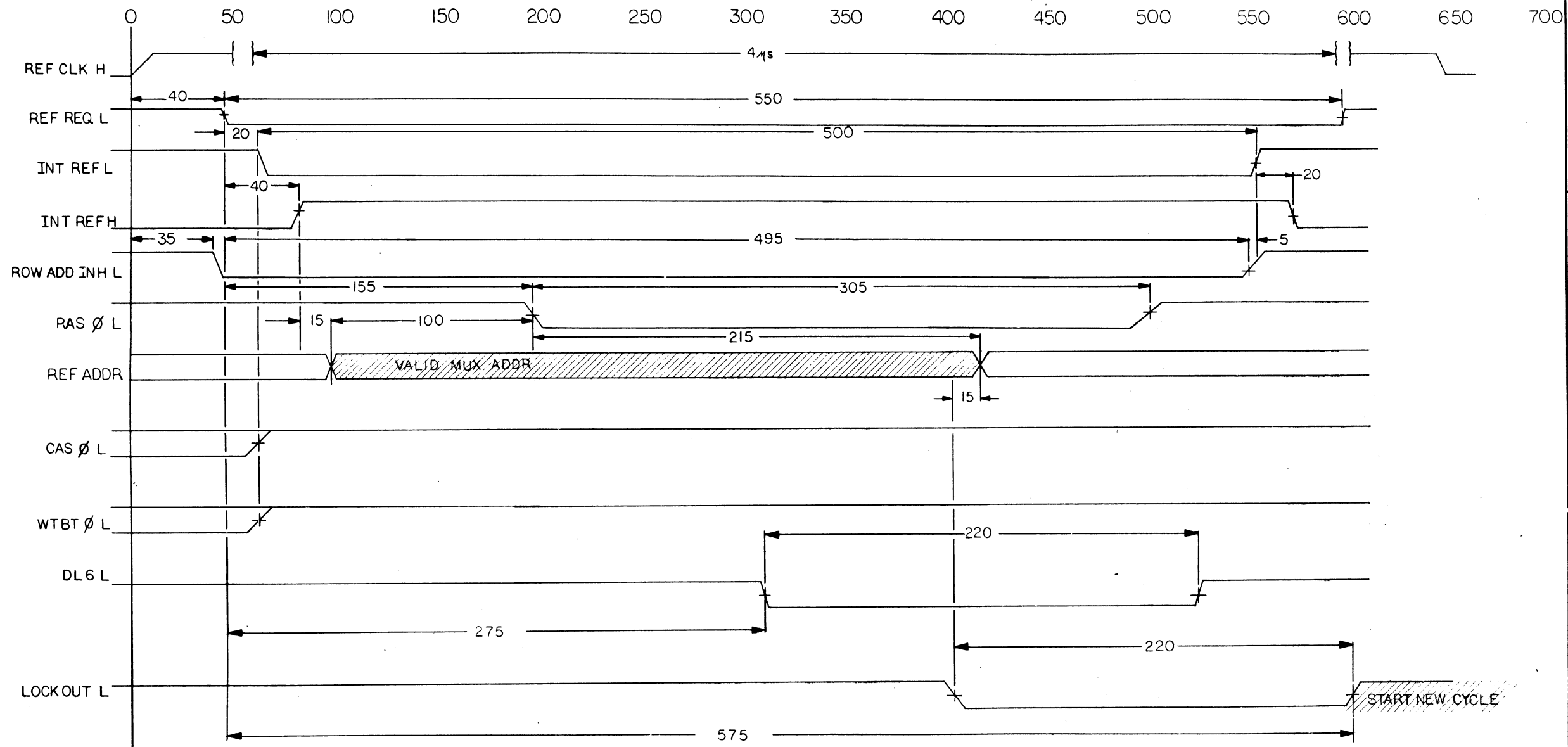


DRN. <i>D. De Vries</i>	4-12-77	FIRST USED ON	
CHK'D R. <i>Givon</i>	2-21-78	TITLE	MSVII D/E
ENG. <i>R. Givon</i>	2-21-78	SIZE	D
PROJ. ENG. <i>R. H. Smith</i>	2-21-78	NUMBER	MSVII-D-5
PROD. <i>R. Math</i>	2-21-78	REV.	
NEXT HIGHER ASSY.		SCALE	
B-DD-MSVII-D/E		SHEET	1 OF 1

REV.	
CHANGE NO.	
CHK	

THIS DRAWING AND SPECIFICATIONS HEREIN ARE THE PROPERTY OF DIGITAL EQUIPMENT CORPORATION AND SHALL NOT BE REPRODUCED OR COPIED OR USED IN WHOLE OR IN PART AS THE BASIS FOR THE MANUFACTURE OR SALE OF ITEMS WITHOUT WRITTEN PERMISSION.  
 COPYRIGHT © 1977 DIGITAL EQUIPMENT CORPORATION

### REFRESH CYCLE



$t_{\text{CYCLE}} = 575_{\text{NS}} \text{ (TYP)}; 600_{\text{NS}} \text{ (MAX)}$

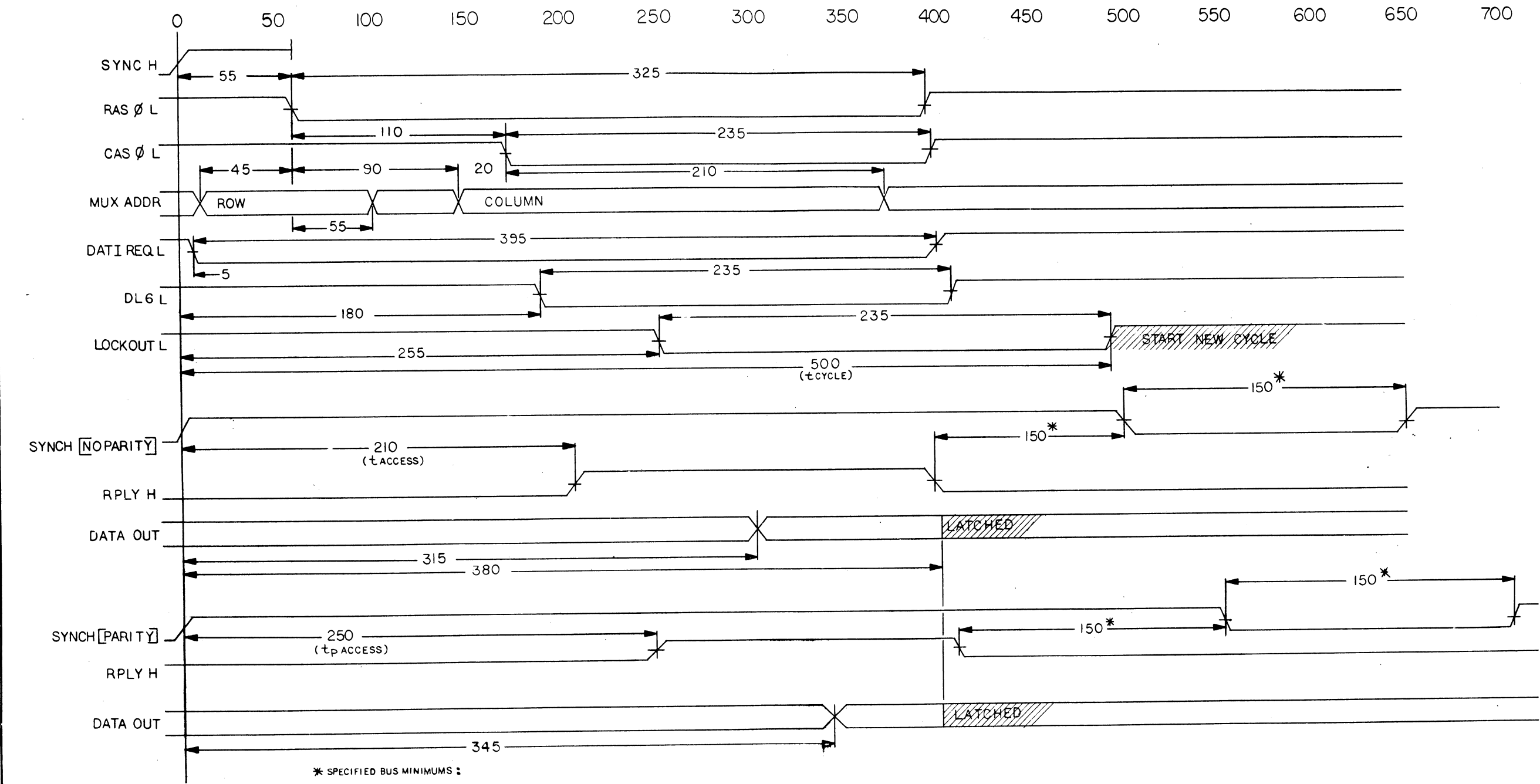
REVISIONS	CHK	CHANGE NO.	REV.

DRN. E. DeVito	17 NOV 77	FIRST USED ON	digital
CHK'D R. GIVEN	2-21-78	TITLE	MSVII D/E TIMING DIAGRAM
ENG. R. GIVEN	2-21-78	SIZE	D
PROJ. ENG. R. GIVEN	2-21-78	CUS2	NUMFR
PROD. R. MATH	2-21-78	SCALE	MSVII-D-6
NEXT HIGHER ASSY.		DIST.	
B-DD-MSVII-D/E			
SCALE			
SHEET	1 OF 4		



THIS DRAWING AND SPECIFICATIONS HEREIN ARE THE PROPERTY OF DIGITAL EQUIPMENT CORPORATION AND SHALL NOT BE REPRODUCED OR COPIED OR USED IN WHOLE OR IN PART AS THE BASIS FOR THE MANUFACTURE OR SALE OF ITEMS WITHOUT WRITTEN PERMISSION. COPYRIGHT © 1977 DIGITAL EQUIPMENT CORPORATION

DATI CYCLE



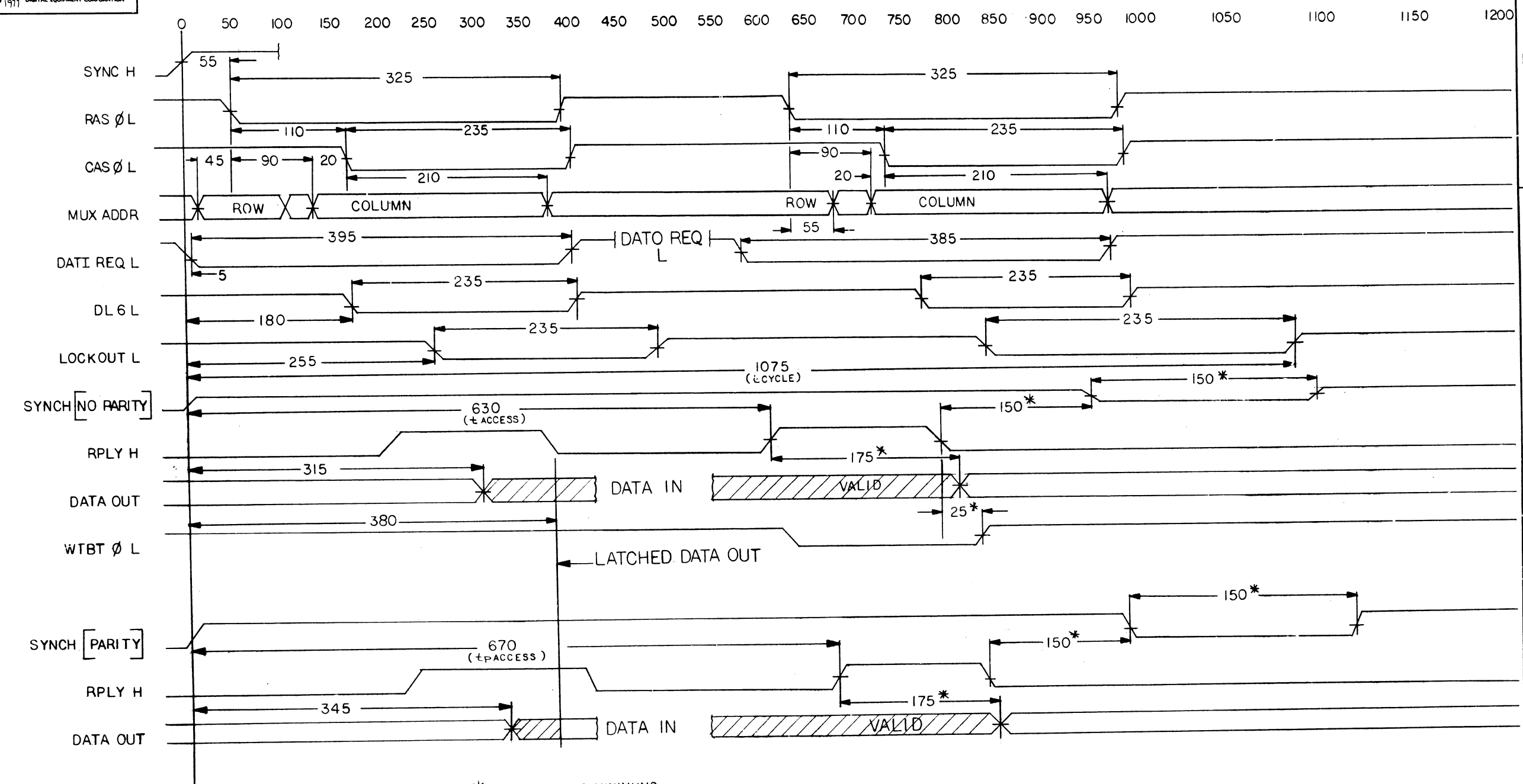
\* SPECIFIED BUS MINIMUMS :  
 $t_{ACCESS} = 210\text{ NS (TYP)} ; 225\text{ NS (MAX)}$   
 $t_{P ACCESS} = 250\text{ NS (TYP)} ; 265\text{ NS (MAX)}$   
 $t_{CYCLE} = 500\text{ NS (TYP)} ; 520\text{ NS (MAX)}$

REVISIONS		
CHK	CHANGE NO.	REV.

TITLE MSVII D/E TIMING DIAGRAM		SIZE CODE DTD	NUMBER MSVII-D-6	REV.
SCALE	SHEET 2 OF 4	DIST.		

"THIS DRAWING AND SPECIFICATIONS HEREIN, ARE THE PROPERTY OF DIGITAL EQUIPMENT CORPORATION AND SHALL NOT BE REPRODUCED OR COPIED OR USED IN WHOLE OR IN PART AS THE BASIS FOR THE MANUFACTURE OR SALE OF ITEMS WITHOUT WRITTEN PERMISSION. COPYRIGHT © 1977 DIGITAL EQUIPMENT CORPORATION"

DATIO (B) CYCLE



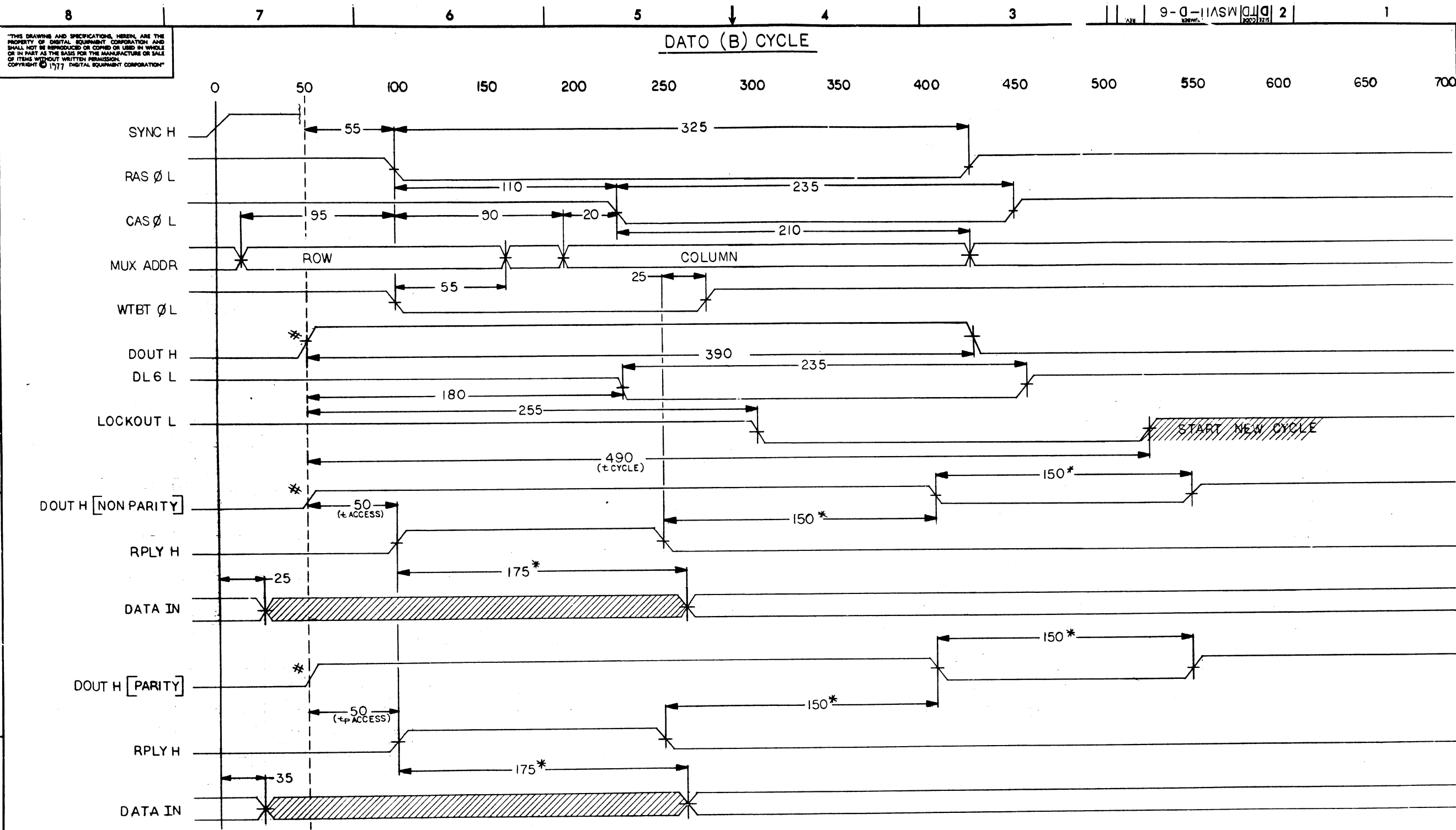
\* SPECIFIED BUS MINIMUMS  
 t<sub>ACCESS</sub> = 630 ns (TYP); 650 ns (MAX)  
 t<sub>PACCESS</sub> = 670 ns (TYP); 690 ns (MAX)  
 t<sub>CYCLE</sub> = 1075 ns (TYP); 1100 ns (MAX)  
 t<sub>P CYCLE</sub> = 1115 ns (TYP); 1140 ns (MAX)

REVISIONS		
CHK	CHANGE NO.	REV.

TITLE	MSVII D/E TIMING DIAGRAM	SIZE CODE	D TD	NUMBER	MSVII-D-6	REV.	
SCALE		SHEET	3 OF 4	DIST.			

"THIS DRAWING AND SPECIFICATIONS HEREIN ARE THE PROPERTY OF DIGITAL EQUIPMENT CORPORATION AND SHALL NOT BE REPRODUCED OR COPIED OR USED IN WHOLE OR IN PART AS THE BASIS FOR THE MANUFACTURE OR SALE OF ITEMS WITHOUT WRITTEN PERMISSION. COPYRIGHT © 1977 DIGITAL EQUIPMENT CORPORATION"

DATA (B) CYCLE



\* SPECIFIED BUS MINIMUMS  
 \* TIME DEPENDENT ON PROCESSOR:  
 t<sub>ACCESS</sub> = 100 NS (TYP); 110 NS (MAX)  
 t<sub>PACCESS</sub> = 100 NS (TYP); 110 NS (MAX)  
 t<sub>CYCLE</sub> = 545 NS (TYP); 565 NS (MAX)  
 } SYNC H TO DOUT H SPECIFIED AT A MINIMUM OF 50 NS

REVISIONS		
CHK	CHANGE NO.	REV.

DRAWING NO.	NO. OF SHTS.	PART NO.	DESCRIPTION	REVISIONS														
B-DD-M8044-φ	1		32K X 16 BIT MOS MEMORY	*	A	B												
D-UA-M8044-φ-φ	8		32K X 16 BIT MOS MEMORY	B	C	D												
B-PL-M8044-φ-φ	16		32K X 16 BIT MOS MEMORY	B	C	D												
D-CS-M8044-φ-1	7		32K X 16 BIT MOS MEMORY	A	B	C												
D-MD-5013128-0-0	7		DRILL & ETCH DRAWING	B	C	C												
		5013128	ETCHED BOARD	C	D	D												
M8045-φ-L			P.C. DESIGN DATA BASE	C	D	D												

**NOTES:**

"THIS DRAWING AND SPECIFICATIONS, HEREIN, ARE THE PROPERTY OF DIGITAL EQUIPMENT CORPORATION AND SHALL NOT BE REPRODUCED OR COPIED OR USED IN WHOLE OR IN PART AS THE BASIS FOR THE MANUFACTURE OR SALE OF ITEMS WITHOUT WRITTEN PERMISSION.



DATE	REVISIONS		REV.
	CHG NO.	ORIG	
—	—	ORIG	*
5-78	00001		A
12/78	MI,002		B

COPYRIGHT© 1977 DIGITAL EQUIPMENT CORPORATION

USED ON OPTION/MODEL	MSV11-D	DRN.	K. HODGSON	10/28/77	TITLE	32K X 16 BIT MOS MEMORY			
CHK'D			R. Livan	2-21-78	SIZE	DD	CODE	NUMBER	REV.
ENG.			R. Livan	2-21-78	B	DD	M8044-φ	B	
PROD.			R. Mantel	2-21-78	SHEET 1 OF 1				

# DIGITAL EQUIPMENT CORPORATION PARTS LIST

M8044-AA\* QUANTITY / VARIATION

**NOTES:**

M8044-AA\* IS A PRIMARY VARIATION OF THE 4K X 16 BIT SYSTEM. (NOT A MODULE TYPE) M8044-AB, AC, AD, AE, ARE MODULE TYPES, USING DIFFERENT 4K MOS DEVICES AND ARE IDENTICAL IN FUNCTION AND PURPOSE.

MADE BY DATE	D. MANION 12/8/77	CHECKED DATE	R. Linn 2-21-78
SECTION			
ENG DATE	R. Linn 2-21-78	PROD DATE	R. Mantal 2-21-78
ISSUED SECTION			

M8044-AB	M8044-AC	M8044-AD	M8044-AE																
----------	----------	----------	----------	--	--	--	--	--	--	--	--	--	--	--	--	--	--	--	--

ITEM NO.	DRAWING NO.	PART NO.	DESCRIPTION	M8044-AB	M8044-AC	M8044-AD	M8044-AE													REF DESIGNATION	
	D-CS-M8044-0-1		CIRCUIT SCHEMATIC	REFREF	REFREF	REFREF	REFREF														
	D-UA-M8044-0-0		UNIT ASSEMBLY	REFREF	REFREF	REFREF	REFREF														
	B-DD-M8044-0-0		DWG. DIRECTORY	REFREF	REFREF	REFREF	REFREF														
	D-MD-5013128-0-0		DRILL & ETCH DRAWING	REFREF	REFREF	REFREF	REFREF														
1		10-10279-00	CAP 0.47 UF 25V 20% CER	1	1	1	1														C10
2		10-01610-00	CAP 0.01 UF 50V 20% CER	27	27	27	27														C7, C99, C100 thru C123, C146
3		10-02627-00	CAP 2.2 UF 20V 10% S. TANT	3	3	3	3														C5, C6, C9
4		10-12121-00	CAP 220 PF 100V 1% DM	2	2	2	2														C8, C12
5		10-05306-00	CAP 6.8 UF 35V 10% S. TANT	2	2	2	2														C3, C4
6		10-12219-00	CAP 47 UF 30V AL EL	2	2	2	2														C1, C2
7		11-05275-00	DIODE D672	2	2	2	2														D1, D2
8		12-11164-01	SWITCH 5 POS	1	1	1	1														E2
9		13-09412-00	RES 18.2K 1/4W 1% MF	1	1	1	1														R26
10		13-09416-00	RES 31.6K 1/4W 1% MF	1	1	1	1														R25
11		13-02957-00	RES 121 1/4W 1% MF	1	1	1	1														R16
12		13-00295-00	RES 330 1/4W 5% CC	2	2	2	2														R27, R21
13		13-05126-00	RES 619 1/4W 1% CC	1	1	1	1														R19
14		13-03110-00	RES 19.6 1/4W 1% MF	1	1	1	1														R18
15		13-05124-00	RES 287 1/4W 1% MF	1	1	1	1														R20
16		13-01874-00	RES 5.6K 1/4W 5% CC	2	2	2	2														R11, R24
17		13-14636-00	RES NETWORK (2-5K 1/8 W 5%)	3	3	3	3														R4, R5, R6

E.C.O. NO.  
0001  
ML002

"THIS DRAWING AND SPECIFICATIONS, HEREIN, ARE THE PROPERTY OF DIGITAL EQUIPMENT CORPORATION AND SHALL NOT BE REPRODUCED OR COPIED OR USED IN WHOLE OR IN PART AS THE BASIS FOR THE MANUFACTURE OR SALE OF ITEMS WITHOUT WRITTEN PERMISSION. COPYRIGHT © 1977 DIGITAL EQUIPMENT CORPORATION"	TITLE 32K 16 BIT MOS MEMORY	ASSY NO. D-UA-M8044-0-0	SIZE B PL	CODE PL	NUMBER M8044-0-0	REV. D
		SHEET 1 OF 16	INSERTION PARTS LIST DATA BASE REV —			

*ML*

# DIGITAL EQUIPMENT CORPORATION PARTS LIST

MADE BY DATE	R. MANION 12/8/77	CHECKED DATE	R. Brown 2-21-78
ENG DATE	R. Brown 2-21-78	PROD DATE	R. Manion 2-21-78

M8044-AA* QUANTITY / VARIATION							
M8044-AB	M8044-AC	M8044-AD	M8044-AE				

NOTES:

ITEM NO.	DRAWING NO.	PART NO.	DESCRIPTION	M8044-AB	M8044-AC	M8044-AD	M8044-AE											REF DESIGNATION
18		13-14637-00	RES NETWORK (3-22 1/8 W 5%)	4	4	4	4											R1, R2, R7, R8
19		13-05123-00	RES 215 1/4W 1% MF	1	1	1	1											R22
20																		
21		13-00365-00	RES 1K 1/4W 5% CC	2	2	1	1											R12, R13
22		<del>13-02874-00</del>	<del>RES 147 1/4W 1% MF</del>	<del>1</del>	<del>1</del>	<del>1</del>	<del>1</del>											<del>R21</del>
23		13-02685-00	RES 909 1/4W 1% MF	1	1	1	1											R17
24		13-00271-00	RES 220 1/4W 5%	2	2	2	2											R14, R15
25		19-11579-00	DEC I.C. 8641	6	6	6	6											E1, E8, E51, E57, E63, E69
26		19-11469-00	DEC I.C. 8640	2	2	2	2											E13, E22
27		19-11944-00	DEC I.C. 555	1	1	1	1											E34
28		19-12746-00	DEC I.C. 74S37	3	3	3	3											E6, E17, E3
29		19-10544-00	DEC I.C. 74S74	3	3	3	3											E15, E12, E14
30																		
31		19-13670-00	DEC I.C. 74S373	5	5	5	5											E40, E70, E29, E46, E35
32		19-14451-00	DEC I.C. 74LS393	1	1	1	1											E23
33		19-10536-00	DEC I.C. 74S10	1	1	1	1											E20
34		19-10537-00	DEC I.C. 74S11	1	1	1	1											E11
35		<del>19-13462-00</del>	<del>DEC I.C. 74S240</del>	<del>1</del>	<del>1</del>	<del>1</del>	<del>1</del>											<del>E18</del>
36		19-12649-00	DEC I.C. 74LS75	1	1	1	1											E16
37		19-10540-00	DEC I.C. 74S22	1	1	1	1											E19

E.C.O. NO.	<p>"THIS DRAWING AND SPECIFICATIONS, HEREIN, ARE THE PROPERTY OF DIGITAL EQUIPMENT CORPORATION AND SHALL NOT BE REPRODUCED OR COPIED OR USED IN WHOLE OR IN PART AS THE BASIS FOR THE MANUFACTURE OR SALE OF ITEMS WITHOUT WRITTEN PERMISSION. COPYRIGHT © 1977 DIGITAL EQUIPMENT CORPORATION"</p>	TITLE 32K 16 BIT MOS MEMORY	ASSY NO. D-UA-M8044-0-0	SIZE <b>B</b>	CODE <b>PL</b>	NUMBER M8044-0-0	REV. <b>D</b>
			SHEET 2 OF 16	INSERTION PARTS LIST DATA BASE REV			

*ML*

# DIGITAL EQUIPMENT CORPORATION PARTS LIST

M8044-AA\*

QUANTITY / VARIATION

NOTES:

MADE BY DATE	D. MANION 12/8/77	CHECKED DATE	R. Givon 2-21-78
SECTION			
ENG DATE	R. Givon 2-21-78	PROD DATE	R. Mantel 2-21-78
ISSUED SECTION			

ITEM NO.	DRAWING NO.	PART NO.	DESCRIPTION	M8044-AA*				QUANTITY / VARIATION								REF DESIGNATION	
				M8044-AB	M8044-AC	M8044-AD	M8044-AE										
38		19-13340-00	DEC I.C. 74S32	1	1	1	1										E10
39		19-12388-00	DEC I.C. 74S02	1	1	1	1										E7
40		19-10544-01	DEC I.C. 74S74-01	1	1	1	1										E21
41		19-12541-00	-5 VOLT REGULATOR	1	1	1	1										Q1
42		19-12807-00	DEC I.C. 74LS10	1	1	1	1										E28
43		19-13777-00	DEC I.C. 74LS240	2	2	2	2										E5, E18
44		91-07771-00	DIODE ASSEMBLY SPACER	4	4	4	4										(USED WITH W2, W3)
45		90-09149-00	PIN WIRE WRAP .025 SQ. X .345 LNGTH	13	13	13	13										
46		90-09185-00	JUMPER WIRE INSULATED	1	1	1	1										W1
47		90-07254-00	TRANSIPAD	1	1	1	1										(USE UNDER Q1)
48		90-08337-06	HANDLE FLIP CHIP (MAGENTA)	2	2	2	2										
49		90-06732-00	EYELETS	4	4	4	4										
50		91-05740-55	WIRE 30 AWG. GRN	A/R	A/R	A/R	A/R										
51		16-13120-00	DELAY LINE 200NS	1	1	1	1										E4
52		10-10274-01	CAP 0.22 UF 50V +80 - 20% CER	31	31	31	31										C124 thru C145, C147 thru C155
53																	
54																	
55		23-216F1-00	DEC I.C. 1KX4 TTL PROM	1	1	1	1										E9
56																	
57																	
58																	

E.C.O. NO. "THIS DRAWING AND SPECIFICATIONS, HEREIN, ARE THE PROPERTY OF DIGITAL EQUIPMENT CORPORATION AND SHALL NOT BE REPRODUCED OR COPIED OR USED IN WHOLE OR IN PART AS THE BASIS FOR THE MANUFACTURE OR SALE OF ITEMS WITHOUT WRITTEN PERMISSION. COPYRIGHT © 1977 DIGITAL EQUIPMENT CORPORATION"	TITLE	ASSY NO.	SIZE	CODE	NUMBER	REV.
	32K 16 BIT MOS MEMORY	D-UA-M8044-Ø-Ø	B	PL	M8044-0-0	D
		SHEET 3 OF 16	INSERTION PARTS LIST DATA BASE REV —			

# DIGITAL EQUIPMENT CORPORATION PARTS LIST

MADE BY DATE	D. MANION 12/8/77	CHECKED DATE	R. Giron 2-21-78
ENG DATE	R. Giron 2-21-78	PROD DATE	R. Martel 2-21-78

M8044-AA\* QUANTITY / VARIATION

M8044-AB	M8044-AC	M8044-AD	M8044-AE																

NOTES:

ITEM NO.	DRAWING NO.	PART NO.	DESCRIPTION	M8044-AB	M8044-AC	M8044-AD	M8044-AE												REF DESIGNATION
59																			
60		21-13735-01	4K MOS MEMORY 16 PIN IC (MOSTEK)	16	-	-	-												E24, E26, E30, E32, E36, E38, E41, E43, E53, E55, E59, E61, E65, E67, E71, E73,
61		21-14475-01	4K MOS MEMORY 16 PIN IC (FUJITSU)	-	16	-	-												E24, E26, E30, E32, E38, E41, E43, E53, E55, E59, E61, E65, E67, E71, E73, E36
62		5013128	ETCH BOARD	1	1	1	1												
63		91-07560-01	WIRE #22 BUSS	A/R	A/R	A/R	A/R												W2, W3
64		21-13914-01	4K MOS MEMORY 16 PIN IC (DEC)	-	-	16													E24, 26, 30, 32, 36, 38, 41, 43, 53, 55, 59, 61, E64, 67, 71, 73
65		21-14114-01	4K MOS MEMORY 16 PIN IC (MOTOROLA)	-	-	-	16												E24, 26, 30, 32, 36, 38, 41, 43, 53, 55, 59, 61, E65, 67, 71, 73

E.C.O. NO.	"THIS DRAWING AND SPECIFICATIONS, HEREIN, ARE THE PROPERTY OF DIGITAL EQUIPMENT CORPORATION AND SHALL NOT BE REPRODUCED OR COPIED OR USED IN WHOLE OR IN PART AS THE BASIS FOR THE MANUFACTURE OR SALE OF ITEMS WITHOUT WRITTEN PERMISSION. COPYRIGHT © 1977 DIGITAL EQUIPMENT CORPORATION"	TITLE 32K 16 BIT MOS MEMORY	ASSY NO. D-UA-M8044-0-0	SIZE <b>B</b>	CODE <b>PL</b>	NUMBER M8044-0-0	REV. D
			SHEET 4 OF 16		INSERTION PARTS LIST DATA BASE REV -		



# DIGITAL EQUIPMENT CORPORATION PARTS LIST

M8044-BA\* QUANTITY / VARIATION

**NOTES:**

M8044-BA\* IS A PRIMARY VARIATION OF THE 8K X 16 BIT SYSTEM. (NOT A MODULE TYPE) M8044-BB,BC,BD,BE ARE MODULE TYPES, USING DIFFERENT 4K MOS DEVICES AND ARE IDENTICAL IN FUNCTION AND PURPOSE.

MADE BY DATE	D. MANION 12/8/77	CHECKED <i>R. Simon</i> DATE 2-21-78	SECTION
ENG DATE	<i>R. Simon</i> 2-21-78	PROD <i>R. Mantel</i> DATE 2-21-78	ISSUED SECTION

ITEM NO.	DRAWING NO.	PART NO.	DESCRIPTION	M8044-BB	M8044-BC	M8044-BD	M8044-BE	REF DESIGNATION
	D-CS-M8044-0-1		CIRCUIT SCHEMATIC	REF	REF	REF	REF	
	D-UA-M8044-0-0		UNIT ASSEMBLY	REF	REF	REF	REF	
	B-DD-M8044-0-0		DWG. DIRECTORY	REF	REF	REF	REF	
	D-MD-5013128-0-0		DRILL & ETCH DRAWING	REF	REF	REF	REF	
1		10-10279-00	CAP 0.47 UF 25V 20% CER	1	1	1	1	C10
2		10-01610-00	CAP 0.01 UF 50V 20% CER	27	27	27	27	C7,C99,C100 thru C123,C146
3		10-02627-00	CAP 2.2 UF 20V 10% S. TANT	3	3	3	3	C5,C6,C9
4		10-12121-00	CAP 220 PF 100V 1% DM	2	2	2	2	C8,C12
5		10-05306-00	CAP 6.8 UF 35V 10% S. TANT	2	2	2	2	C3,C4
6		10-12219-00	CAP 47 UF 30V AL EL	2	2	2	2	C1,C2
7		11-05275-00	DIODE D672	2	2	2	2	D1,D2
8		12-11164-01	SWITCH 5 POS	1	1	1	1	E2
9		13-09412-00	RES 18.2K 1/4W 1% MF	1	1	1	1	R26
10		13-09416-00	RES 31.6K 1/4W 1% MF	1	1	1	1	R25
11		13-02957-00	RES 121 1/4W 1% MF	1	1	1	1	R16
12		13-00295-00	RES 330 1/4W 5% CC	2	2	2	2	R27, R21
13		13-05126-00	RES 619 1/4W 1% CC	1	1	1	1	R19
14		13-03110-00	RES 19.6 1/4W 1% MF	1	1	1	1	R18
15		13-05124-00	RES 287 1/4W 1% MF	1	1	1	1	R20
16		13-01874-00	RES 5.6K 1/4W 5% CC	2	2	2	2	R11,R24
17		13-14636-00	RES NETWORK (2-5K 1/8 W 5%)	3	3	3	3	R4,R5,R6

E.C.O. NO.

<p>"THIS DRAWING AND SPECIFICATIONS, HEREIN, ARE THE PROPERTY OF DIGITAL EQUIPMENT CORPORATION AND SHALL NOT BE REPRODUCED OR COPIED OR USED IN WHOLE OR IN PART AS THE BASIS FOR THE MANUFACTURE OR SALE OF ITEMS WITHOUT WRITTEN PERMISSION. COPYRIGHT © 1977 DIGITAL EQUIPMENT CORPORATION"</p>	<p>TITLE 32K 16 BIT MOS MEMORY</p>	<p>ASSY NO. D-UA-M8044-0-0</p>	<p>SIZE <b>B</b></p>	<p>CODE <b>PL</b></p>	<p>NUMBER M8044-0-0</p>	<p>REV. <b>D</b></p>
		<p>SHEET 5 OF 16</p>	<p>INSERTION PARTS LIST DATA BASE REV —</p>			

*ml*

# DIGITAL EQUIPMENT CORPORATION PARTS LIST

MADE BY DATE	R. MANION 12/8/77	CHECKED <i>R. Manion</i> DATE 2-21-78	SECTION
ENG DATE	<i>R. Manion</i> 2-21-78	PROD DATE	<i>R. Manion</i> 2-21-78

M8044-BA* QUANTITY / VARIATION							
M8044-BB	M8044-BC	M8044-BD	M8044-BE				

NOTES:

ITEM NO.	DRAWING NO.	PART NO.	DESCRIPTION	M8044-BB	M8044-BC	M8044-BD	M8044-BE	REF DESIGNATION
18		13-14637-00	RES NETWORK (3-22 1/8 W5%)	4	4	4	4	R1, R2, R7, R8
19		13-05123-00	RES 215 1/4W 1% MF	1	1	1	1	R22
20								
21		13-00365-00	RES 1K 1/4W 5% CC	2	2	2	2	R12, R13
22		<del>13-02874-00</del>	<del>RES 147 1/4W 1% MF</del>	<del>1</del>	<del>1</del>	<del>1</del>	<del>1</del>	<del>R21</del>
23		13-02685-00	RES 909 1/4W 1% MF	1	1	1	1	R17
24		13-00271-00	RES 220 1/4W 5%	2	2	2	2	R14, R15
25		19-11579-00	DEC I.C. 8641	6	6	6	6	E1, E8, E51, E57, E63, E69
26		19-11469-00	DEC I.C. 8640	2	2	2	2	E13, E22
27		19-11944-00	DEC I.C. 555	1	1	1	1	E34
28		19-12746-00	DEC I.C. 74S37	3	3	3	3	E6, E17, E3
29		19-10544-00	DEC I.C. 74S74	3	3	3	3	E15, E12, E14
30								
31		19-13670-00	DEC I.C. 74S373	5	5	5	5	E40, E70, E29, E46, E35
32		19-14451-00	DEC I.C. 74LS393	1	1	1	1	E23
33		19-10536-00	DEC I.C. 74S10	1	1	1	1	E20
34		19-10537-00	DEC I.C. 74S11	1	1	1	1	E11
35		<del>19-13462-00</del>	<del>DEC I.C. 74S240</del>	<del>1</del>	<del>1</del>	<del>1</del>	<del>1</del>	<del>E18</del>
36		19-12649-00	DEC I.C. 74LS75	1	1	1	1	E16
37		19-10540-00	DEC I.C. 74S22	1	1	1	1	E19

E.C.O. NO.

"THIS DRAWING AND SPECIFICATIONS, HEREIN, ARE THE PROPERTY OF DIGITAL EQUIPMENT CORPORATION AND SHALL NOT BE REPRODUCED OR COPIED OR USED IN WHOLE OR IN PART AS THE BASIS FOR THE MANUFACTURE OR SALE OF ITEMS WITHOUT WRITTEN PERMISSION. COPYRIGHT © 1977 DIGITAL EQUIPMENT CORPORATION"

TITLE  
32K 16 BIT MOS MEMORY

ASSY NO.  
D-1A-M8044-0-0

SIZE	CODE	NUMBER	REV.
B	PL	M8044-0-0	D

SHEET 6 OF 16

INSERTION PARTS LIST DATA BASE REV —

*ML*

# DIGITAL EQUIPMENT CORPORATION PARTS LIST

M8044-BA\* QUANTITY / VARIATION

NOTES:

MADE BY DATE	D. MANION 12/8/77	CHECKED DATE	R. Bunn 2-21-78
ENG DATE	R. Bunn 2-21-78	PROD DATE	R. Martel 2-21-78

SECTION  
  
ISSUED SECTION

M8044-BB	M8044-BC	M8044-BD	M8044-BE														
----------	----------	----------	----------	--	--	--	--	--	--	--	--	--	--	--	--	--	--

ITEM NO.	DRAWING NO.	PART NO.	DESCRIPTION	M8044-BB	M8044-BC	M8044-BD	M8044-BE											REF DESIGNATION
38		19-13340-00	DEC I.C. 74S32	1	1	1	1											E10
39		19-12388-00	DEC I.C. 74S02	1	1	1	1											E7
40		19-10544-01	DEC I.C. 74S74-01	1	1	1	1											E21
41		19-12541-00	-5 VOLT REGULATOR	1	1	1	1											Q1
42		19-12807-00	DEC I.C. 74LS10	1	1	1	1											E28
43		19-13777-00	DEC I.C. 74LS240	2	2	2	2											E5, E18
44		91-07771-00	DIODE ASSEMBLY SPACER	4	4	4	4											(USED WITH W2, W3)
45		90-09149-00	PIN WIRE WRAP .025 SQ. X .345 LNGTH	13	13	13	13											
46		90-09185-00	JUMPER WIRE INSULATED	1	1	1	1											W1
47		90-07254-00	TRANSIPAD	1	1	1	1											(USE UNDER Q1)
48		90-08337-06	HANDLE FLIP CHIP (MAGENTA)	2	2	2	2											
49		90-06732-00	EYELETS	4	4	4	4											
50		91-05740-55	WIRE 30 AWG. GRN	A/R	A/R	A/R	A/R											
51		16-13120-00	DELAY LINE 200NS	1	1	1	1											E4
52		10-10274-01	CAP 0.22 UF 50V +80 - 20% CER	31	31	31	31											C124 thru C145, C147 thru C155
53																		
54																		
55		23-195F1-00	DEC I.C. 1KX4 TTL PROM	1	1	1	1											E9
56																		
57																		
58																		

E.C.O. NO. \_\_\_\_\_

THIS DRAWING AND SPECIFICATIONS, HEREIN, ARE THE PROPERTY OF DIGITAL EQUIPMENT CORPORATION AND SHALL NOT BE REPRODUCED OR COPIED OR USED IN WHOLE OR IN PART AS THE BASIS FOR THE MANUFACTURE OR SALE OF ITEMS WITHOUT WRITTEN PERMISSION. COPYRIGHT © 1977 DIGITAL EQUIPMENT CORPORATION	TITLE 32K 16 BIT MOS MEMORY	ASSY NO. D-UA-M8044-0-0	SIZE B	CODE PL	NUMBER M8044-0-0	REV. D
		SHEET 7 OF 16	INSERTION PARTS LIST DATA BASE REV —			

# DIGITAL EQUIPMENT CORPORATION PARTS LIST

M8044-BA\* QUANTITY / VARIATION

NOTES:

MADE BY DATE	D. MANION 12/8/77	CHECKED DATE	R. Juvaw 2-21-78
ENG DATE	R. Juvaw 2-21-78	PROD DATE	R. Martel 2-21-78
		SECTION	
		ISSUED SECTION	

M8044-BB	M8044-BC	M8044-BD	M8044-BE										
----------	----------	----------	----------	--	--	--	--	--	--	--	--	--	--

ITEM NO.	DRAWING NO.	PART NO.	DESCRIPTION	M8044-BB	M8044-BC	M8044-BD	M8044-BE							REF DESIGNATION
59														<p>E24, E26, E30, E32, E36, E38, E41, E43, E53, E55, E59, E61, E65, E67, E71, E73, E25, E27, E31, E33, E37, E39, E42, E44, E54, E56, E60, E62, E66, E68, E72, E74</p> <p>E24, E26, E30, E32, E38, E41, E43, E53, E55, E59, E61, E65, E67, E71, E73, E36, E25, E27, E31, E33, E37, E39, E42, E44, E54, E56, E60, E62, E66, E68, E72, E74</p> <p>W2, W3</p> <p>E24, 26, 30, 32, 36, 38, 41, 43, 53, 55, 59, 61, E65, 67, 71, 73, 25, 27, 31, 33, 37, 39, 42, 44, E54, 56, 60, 62, 66, 68, 72, 74</p> <p>E24, 26, 30, 32, 36, 38, 41, 43, 53, 55, 59, 61, E65, 67, 71, 73, 25, 27, 31, 33, 37, 39, 42, 44, E54, 56, 60, 62, 66, 68, 72, 74</p>
60		21-I3735-01	4K MOS MEMORY 16 PIN IC (MOSTEK)	32	-	-	-							
61		21-14475-01	4K MOS MEMORY 16 PIN IC (FUJITSU)	-	32	-	-							
62		5013128	ETCH BOARD	1	1	1	1							
63		91-07560-01	WIRE #22 BUSS	A/R	A/R	A/R	A/R							
64		21-13914-01	4K MOS MEMORY 16 PIN IC (DEC)	-	-	32	-							
65		21-14114-01	4K MOS MEMORY 16 PIN IC (MOTOROLA)	-	-	-	32							

<p>E.C.O. NO.</p> <p>"THIS DRAWING AND SPECIFICATIONS, HEREIN, ARE THE PROPERTY OF DIGITAL EQUIPMENT CORPORATION AND SHALL NOT BE REPRODUCED OR COPIED OR USED IN WHOLE OR IN PART AS THE BASIS FOR THE MANUFACTURE OR SALE OF ITEMS WITHOUT WRITTEN PERMISSION. COPYRIGHT © 1977 DIGITAL EQUIPMENT CORPORATION"</p>	<p>TITLE</p> <p style="text-align: center;">32K 16 BIT MOS MEMORY</p>	<p>ASSY NO.</p> <p style="text-align: center;">D-UA-M8044-0-0</p>	<p>SIZE</p> <p style="text-align: center;"><b>B</b></p>	<p>CODE</p> <p style="text-align: center;"><b>PL</b></p>	<p>NUMBER</p> <p style="text-align: center;">M8044-0-0</p>	<p>REV.</p> <p style="text-align: center;">D</p>
		<p>SHEET 8 OF 16</p>	<p>INSERTION PARTS LIST DATA BASE REV —</p>			

m l

# DIGITAL EQUIPMENT CORPORATION PARTS LIST

<b>MADE BY</b> D. MANION	<b>CHECKED</b> <i>R. Huiem</i>	<b>SECTION</b>
<b>DATE</b> 12/3/77	<b>DATE</b> 2-21-78	
<b>ENG</b> <i>R. Huiem</i>	<b>PROD</b> <i>R. Martel</i>	<b>ISSUED SECTION</b>
<b>DATE</b> 2-21-78	<b>DATE</b> 2-21-78	

M8044-CA* QUANTITY / VARIATION												
M8044-CB	M8044-CC	M8044-CD	M8044-CE	M8044-CF								

**NOTES:**  
M8044-CA\* IS A PRIMARY VARIATION OF THE 16K X 16 BIT SYSTEM. (NOT A MODULE TYPE) M8044-CB, CC, CD, CE, CF ARE MODULE TYPES, USING DIFFERENT 16K MOS DEVICES AND ARE IDENTICAL IN FUNCTION AND PURPOSE.

ITEM NO.	DRAWING NO.	PART NO.	DESCRIPTION	M8044-CB	M8044-CC	M8044-CD	M8044-CE	M8044-CF					REF DESIGNATION
	D-CS-M8044-0-1		CIRCUIT SCHEMATIC	REF	REF	REF	REF	REF					
	D-UA-M8044-0-0		UNIT ASSEMBLY	REF	REF	REF	REF	REF					
	B-DD-M8044-0-0		DWG. DIRECTORY	REF	REF	REF	REF	REF					
	D-MD-5013128-0-0		DRILL & ETCH DRAWING	REF	REF	REF	REF	REF					
1		10-10279-00	CAP 0.47 UF 25V 20% CER	1	1	1	1	1					C10
2		10-01610-00	CAP 0.01 UF 50V 20% CER	27	27	27	27	27					C7, C99, C100 thru C123, C146
3		10-02627-00	CAP 2.2 UF 20V 10% S. TANT	3	3	3	3	3					C5, C6, C9
4		10-12121-00	CAP 220 PF 100V 1% DM	2	2	2	2	2					C8, C12
5		10-05306-00	CAP 6.8 UF 35V 10% S. TANT	2	2	2	2	2					C3, C4
6		10-12219-00	CAP 47 UF 30V AL EL	2	2	2	2	2					C1, C2
7		11-05275-00	DIODE D672	2	2	2	2	2					D1, D2
8		12-11164-01	SWITCH 5 POS	1	1	1	1	1					E2
9		13-09412-00	RES 18.2K 1/4W 1% MF	1	1	1	1	1					R26
10		13-09416-00	RES 31.6K 1/4W 1% MF	1	1	1	1	1					R25
11		13-02957-00	RES 121 1/4W 1% MF	1	1	1	1	1					R16
12		13-00295-00	RES 330 1/4W 5% CC	2	2	2	2	2					R27, R21
13		13-05126-00	RES 619 1/4W 1% CC	1	1	1	1	1					R19
14		13-03110-00	RES 19.6 1/4W 1% MF	1	1	1	1	1					R18
15		13-05124-00	RES 287 1/4W 1% MF	1	1	1	1	1					R20
16		13-01874-00	RES 5.6K 1/4W 5% CC	2	2	2	2	2					R11, R24
17		13-14636-00	RES NETWORK (2-5K 1/8 W 5%)	3	3	3	3	3					R4, R5, R6

<small>THIS DRAWING AND SPECIFICATIONS, HEREIN, ARE THE PROPERTY OF DIGITAL EQUIPMENT CORPORATION AND SHALL NOT BE REPRODUCED OR COPIED OR USED IN WHOLE OR IN PART AS THE BASIS FOR THE MANUFACTURE OR SALE OF ITEMS WITHOUT WRITTEN PERMISSION. COPYRIGHT © 1977 DIGITAL EQUIPMENT CORPORATION"</small>	<b>TITLE</b> 32K 16 BIT MOS MEMORY	<b>ASSY NO.</b> D-UA-M8044-0-0	<b>SIZE</b> B	<b>CODE</b> PL	<b>NUMBER</b> M8044-0-0	<b>REV.</b> D
		SHEET 9 OF 16	INSERTION PARTS LIST DATA BASE REV —			
<small>DRB 125</small>						

*ML*

# DIGITAL EQUIPMENT CORPORATION PARTS LIST

M8044-CA\*

QUANTITY / VARIATION

NOTES:

MADE BY DATE	R. MANION 12/8/77	CHECKED DATE	SECTION
ENG DATE	R. Swain 2-21-78	PROD DATE	ISSUED SECTION
		R. Martel 2-21-78	

ITEM NO.	DRAWING NO.	PART NO.	DESCRIPTION	M8044-CB	M8044-CC	M8044-CD	M8044-CE	M8044-CF										REF DESIGNATION
18		13-14637-00	RES NETWORK (3-22 1/8W 5%)	4	4	4	4	4										R1, R2, R7, R8
19		13-05123-00	RES 215 1/4W 1% MF	1	1	1	1	1										R22
20		1301969-00	RES 22 1/4W 5% CC	1	1	1	1	1										R3
21		13-00365-00	RES 1K 1/4W 5% CC	2	2	2	2	2										R12, R13
22		<del>13-02674-00</del>	<del>RES 147 1/4W 1% MF</del>	<del>1</del>	<del>1</del>	<del>1</del>	<del>1</del>	<del>1</del>										<del>R21</del>
23		13-02685-00	RES 909 1/4W 1% MF	1	1	1	1	1										R17
24		13-00271-00	RES 220 1/4W 5%	2	2	2	2	2										R14, R15
25		19-11579-00	DEC I.C. 8641	6	6	6	6	6										E1, E8, E51, E57, E63, E69
26		19-11469-00	DEC I.C. 8640	2	2	2	2	2										E13, E22
27		19-11944-00	DEC I.C. 555	1	1	1	1	1										E34
28		19-12746-00	DEC I.C. 74S37	3	3	3	3	3										E6, E17, E3
29		19-10544-00	DEC I.C. 74S74	3	3	3	3	3										E15, E12, E14
30																		
31		19-13670-00	DEC I.C. 74S373	5	5	5	5	5										E40, E70, E29, E46, E35
32		19-14451-00	DEC I.C. 74LS393	1	1	1	1	1										E23
33		19-10536-00	DEC I.C. 74S10	1	1	1	1	1										E20
34		19-10537-00	DEC I.C. 74S11	1	1	1	1	1										E11
35		<del>19-13462-00</del>	<del>DEC I.C. 74S240</del>	<del>1</del>	<del>1</del>	<del>1</del>	<del>1</del>	<del>1</del>										<del>E18</del>
36		19-12649-00	DEC I.C. 74LS75	1	1	1	1	1										E16
37		19-10540-00	DEC I.C. 74S22	1	1	1	1	1										E19

E.C.O. NO. "THIS DRAWING AND SPECIFICATIONS, HEREIN, ARE THE PROPERTY OF DIGITAL EQUIPMENT CORPORATION AND SHALL NOT BE REPRODUCED OR COPIED OR USED IN WHOLE OR IN PART AS THE BASIS FOR THE MANUFACTURE OR SALE OF ITEMS WITHOUT WRITTEN PERMISSION. COPYRIGHT © 1977 DIGITAL EQUIPMENT CORPORATION"	TITLE 32K 16 BIT MOS MEMORY	ASSY NO. D-UA-M8044-Ø-Ø SHEET 10 OF 16	SIZE B PL INSERTION PARTS LIST DATA BASE REV —	NUMBER M8044-0-0	REV. D
---	--------------------------------	--	--	---------------------	-----------

116

# DIGITAL EQUIPMENT CORPORATION PARTS LIST

M8044-CA\* QUANTITY / VARIATION

NOTES:

MADE BY DATE	D. MANION 12/8/77	CHECKED <i>R. Hovine</i> DATE 2-21-78	SECTION
ENG DATE	<i>R. Hovine</i> 2-21-78	PROD DATE	ISSUED SECTION
		<i>R. Martel</i> 2-21-78	

M8044-CB	M8044-CC	M8044-CD	M8044-CE	M8044-CF														
----------	----------	----------	----------	----------	--	--	--	--	--	--	--	--	--	--	--	--	--	--

ITEM NO.	DRAWING NO.	PART NO.	DESCRIPTION	M8044-CB	M8044-CC	M8044-CD	M8044-CE	M8044-CF												REF DESIGNATION
38		19-13340-00	DEC I.C. 74S32	1	1	1	1	1												E10
39		19-12388-00	DEC I.C. 74S02	1	1	1	1	1												E7
40		19-10544-01	DEC I.C. 74S74-01	1	1	1	1	1												E21
41		19-12541-00	-5 VOLT REGULATOR	1	1	1	1	1												Q1
42		19-12807-00	DEC I.C. 74LS10	1	1	1	1	1												E28
43		19-13777-00	DEC I.C. 74LS240	2	2	2	2	2												E5, E18
44		91-07771-00	DIODE ASSEMBLY SPACER	4	4	4	4	4												(USED WITH W2, W3)
45		90-09149-00	PIN WIRE WRAP .025 SQ. X .345 LNO13	13	13	13	13	13												
46																				
47		90-07254-00	TRANSIPAD	1	1	1	1	1												(USE UNDER Q1)
48		90-08337-06	HANDLE FLIP CHIP (MAGENTA)	2	2	2	2	2												
49		90-06732-00	EYELETS	4	4	4	4	4												
50		91-05740-55	WIRE 30 AWG. GRN	A/R	A/R	A/R	A/R	A/R												
51		16-13120-00	DELAY LINE 200NS	1	1	1	1	1												E4
52		10-10274-01	CAP 0.22 UF 50V +80 - 20% CER	31	31	31	31	31												C124 thru C145, C147 thru C155
53																				
54																				
55		23-216F1-00	DEC I.C. 1KX4 TTL PROM	1	1	1	1	1												E9
56																				
57																				
58																				

<p style="font-size: small;">E.C.O. NO.</p> <p style="font-size: x-small;">THIS DRAWING AND SPECIFICATIONS, HEREIN, ARE THE PROPERTY OF DIGITAL EQUIPMENT CORPORATION AND SHALL NOT BE REPRODUCED OR COPIED OR USED IN WHOLE OR IN PART AS THE BASIS FOR THE MANUFACTURE OR SALE OF ITEMS WITHOUT WRITTEN PERMISSION. COPYRIGHT © 1977 DIGITAL EQUIPMENT CORPORATION"</p>	<p>TITLE</p> <p style="text-align: center;">32K 16 BIT MOS MEMORY</p>	<p>ASSY NO.</p> <p style="text-align: center;">D-UA-M8044-0-0</p> <p>SHEET 11 OF 16</p>	<p>SIZE</p> <p style="text-align: center;"><b>B</b></p>	<p>CODE</p> <p style="text-align: center;"><b>PL</b></p>	<p>NUMBER</p> <p style="text-align: center;">M8044-0-0</p> <p style="font-size: x-small;">INSERTION PARTS LIST DATA BASE REV -</p>	<p>REV.</p> <p style="text-align: center;"><b>D</b></p>
---	---	---	---	--	--	---

DIGITAL EQUIPMENT CORPORATION PARTS LIST				M8044-CA* QUANTITY / VARIATION										NOTES:				
MADE BY D. MANION DATE 12/8/77		CHECKED R. Hines DATE 2-21-78		SECTION										REF DESIGNATION				
ENG R. Hines DATE 2-21-78		PROD R. Martel DATE 2-21-78		ISSUED SECTION														
ITEM NO.	DRAWING NO.	PART NO.	DESCRIPTION	M8044-CB	M8044-CC	M8044-CD	M8044-CE	M8044-CF										
59																		
60		21-13825-01	16K MOS MEMORY 16 PIN IC (MOSTEK)	16	-	-	-	-										E24, E26, E30, E32, E36, E38, E41, E43, E53, E55, E59, E61, E65, E67, E71, E73,
61		21-14408-01	16K MOS MEMORY 16 PIN IC (FUJITSU)	-	16	-	-	-										E24, E26, E30, E32, E38, E41, E43, E53, E55, E59, E61, E65, E67, E71, E73, E36
62		5013128	ETCH BOARD	1	1	1	1	1										
63		91-07560-01	WIRE #22 BUSS	A/R	A/R	A/R	A/R	A/R										W2, W3
64		21-14895-01	16K MOS MEMORY 16 PIN I.C. (INTEL)	-	-	16	-	-										E24, E26, E30, E32, E36, E38, E41, E43, E53, E55, E59, E61, E65, E67, E71, E73
65		21-14927-01	16K MOS MEMORY 16 PIN I.C. (TI.)	-	-	-	16	-										E24, E26, E30, E32, E36, E38, E41, E43, E53, E55, E59, E61, E65, E71, E67, E73
66		21-14897-01	16 MOS MEMORY 16 PIN I.C. (HITACHI)	-	-	-	-	16										E24, E26, E30, E32, E36, E38, E41, E43, E53, E55, E59, E61, E65, E71, E67, E73

E.C.O. NO.

"THIS DRAWING AND SPECIFICATIONS, HEREIN, ARE THE PROPERTY OF DIGITAL EQUIPMENT CORPORATION AND SHALL NOT BE REPRODUCED OR COPIED OR USED IN WHOLE OR IN PART AS THE BASIS FOR THE MANUFACTURE OR SALE OF ITEMS WITHOUT WRITTEN PERMISSION. COPYRIGHT ©1977 DIGITAL EQUIPMENT CORPORATION"

TITLE  
32K 16 BIT MOS MEMORY

ASSY NO.  
D-UA-M8044-0-0  
SHEET 12 OF 16

SIZE CODE  
B PL  
NUMBER  
M8044-0-C  
INSERTION PARTS LIST DATA BASE REV --

REV.  
D



# DIGITAL EQUIPMENT CORPORATION PARTS LIST

M8044-DA\* QUANTITY / VARIATION

**NOTES:**

M8044-DA\* IS A PRIMARY VARIATION OF THE 32K X 16 BIT SYSTEM. (NOT A MODULE TYPE)  
M8044-DB,DC,DL,DE,DF ARE MODULE TYPES, USING DIFFERENT 16K MOS DEVICES AND ARE IDENTICAL IN FUNCTION AND PURPOSE.

MADE BY DATE	D. MANION 12/8/77	CHECKED DATE	R. <i>Yuen</i> 2-21-78
SECTION			
ENG DATE	R. <i>Yuen</i> 2-21-78	PROD DATE	R. <i>Martel</i> 2-21-78
ISSUED SECTION			

M8044-DB	M8044-DC	M8044-DD	M8044-DE	M8044-DF								
----------	----------	----------	----------	----------	--	--	--	--	--	--	--	--

ITEM NO.	DRAWING NO.	PART NO.	DESCRIPTION	M8044-DB	M8044-DC	M8044-DD	M8044-DE	M8044-DF	REF DESIGNATION
	D-CS-M8044-0-1		CIRCUIT SCHEMATIC	REF	REF	REF	REF	REF	
	D-UA-M8044-0-0		UNIT ASSEMBLY	REF	REF	REF	REF	REF	
	B-DD-M8044-0-0		DWG. DIRECTORY	REF	REF	REF	REF	REF	
	D-MD-5013128-0-0		DRILL & ETCH DRAWING	REF	REF	REF	REF	REF	
1		10-10279-00	CAP 0.47 UF 25V 20% CER	1	1	1	1	1	C10
2		10-01610-00	CAP 0.01 UF 50V 20% CER	27	27	27	27	27	C7,C99,C100 thru C123,C146
3		10-02627-00	CAP 2.2 UF 20V 10% S. TANT	3	3	3	3	3	C5,C6,C9
4		10-12121-00	CAP 220 PF 100V 1% DM	2	2	2	2	2	C8,C12
5		10-05306-00	CAP 6.8 UF 35V 10% S. TANT	2	2	2	2	2	C3,C4
6		10-12219-00	CAP 47 UF 30V AL EL	2	2	2	2	2	C1,C2
7		11-05275-00	DIODE D672	2	2	2	2	2	D1,D2
8		12-11164-01	SWITCH 5 POS	1	1	1	1	1	E2
9		13-09412-00	RES 18.2K 1/4W 1% MF	1	1	1	1	1	R26
10		13-09416-00	RES 31.6K 1/4W 1% MF	1	1	1	1	1	R25
11		13-02957-00	RES 121 1/4W 1% MF	1	1	1	1	1	R16
12		13-00295-00	RES 330 1/4W 5% CC	2	2	2	2	2	R27, R21
13		13-05126-00	RES 619 1/4W 1% CC	1	1	1	1	1	R19
14		13-03110-00	RES 19.6 1/4W 1% MF	1	1	1	1	1	R18
15		13-05124-00	RES 287 1/4W 1% MF	1	1	1	1	1	R20
16		13-01874-00	RES 5.6K 1/4W 5% CC	2	2	2	2	2	R11,R24
17		13-14636-00	RES NETWORK (2-5K 1/8 W 5%)	3	3	3	3	3	R4, R5, R6

<p style="font-size: small;">"THIS DRAWING AND SPECIFICATIONS, HEREIN, ARE THE PROPERTY OF DIGITAL EQUIPMENT CORPORATION AND SHALL NOT BE REPRODUCED OR COPIED OR USED IN WHOLE OR IN PART AS THE BASIS FOR THE MANUFACTURE OR SALE OF ITEMS WITHOUT WRITTEN PERMISSION. COPYRIGHT © 1977 DIGITAL EQUIPMENT CORPORATION"</p>	<p><b>TITLE</b> 32K 16 BIT MOS MEMORY</p>	<p><b>ASSY NO.</b> D-UA-M8044-0-0</p>	<p><b>SIZE</b> B</p>	<p><b>CODE</b> PL</p>	<p><b>NUMBER</b> M8044-0-0</p>	<p><b>REV.</b> D</p>
		<p>SHEET 13 OF 16</p>	<p>INSERTION PARTS LIST DATA BASE REV —</p>			

# DIGITAL EQUIPMENT CORPORATION PARTS LIST

M8044-DA\* QUANTITY / VARIATION

NOTES:

MADE BY DATE	R. MANION 12/8/77	CHECKED <i>R. Gunn</i> DATE 2-21-78	SECTION
ENG DATE	<i>R. Gunn</i> 2-21-78	PROD <i>R. Martel</i> DATE 2-21-78	ISSUED SECTION

M8044-DB	M8044-DC	M8044-DD	M8044-DE	M8044-DF															
----------	----------	----------	----------	----------	--	--	--	--	--	--	--	--	--	--	--	--	--	--	--

ITEM NO.	DRAWING NO.	PART NO.	DESCRIPTION	M8044-DB	M8044-DC	M8044-DD	M8044-DE	M8044-DF													REF DESIGNATION
18		13-14637-00	RES NETWORK (3-22 1/8 W 5%)	4	4	4	4	4													R1, R2, R7, R8
19		13-05123-00	RES 215 1/4W 1% MF	1	1	1	1	1													R22
20		13-01969-00	RES 22 1/4W 5% CC	1	1	1	1	1													R2
21		13-00365-00	RES 1K 1/4W 5% CC	2	2	2	2	2													R12, R13
22		<del>13-02874-00</del>	<del>RES 147 1/4W 1% MF</del>	<del>1</del>	<del>1</del>	<del>1</del>	<del>1</del>	<del>1</del>													<del>R21</del>
23		13-02685-00	RES 909 1/4W 1% MF	1	1	1	1	1													R17
24		13-00271-00	RES 220 1/4W 5%	2	2	2	2	2													R14, R15
25		19-11579-00	DEC I.C. 8641	6	6	6	6	6													E1, E8, E51, E57, E63, E69
26		19-11469-00	DEC I.C. 8640	2	2	2	2	2													E13, E22
27		19-11944-00	DEC I.C. 555	1	1	1	1	1													E34
28		19-12746-00	DEC I.C. 74S37	3	3	3	3	3													E6, E17, E3
29		19-10544-00	DEC I.C. 74S74	3	3	3	3	3													E15, E12, E14
30																					
31		19-13670-00	DEC I.C. 74S373	5	5	5	5	5													E40, E70, E29, E46, E35
32		19-14451-00	DEC I.C. 74LS393	1	1	1	1	1													E23
33		19-10536-00	DEC I.C. 74S10	1	1	1	1	1													E20
34		19-10537-00	DEC I.C. 74S11	1	1	1	1	1													E11
35		<del>19-13462-00</del>	<del>DEC I.C. 74S240</del>	<del>1</del>	<del>1</del>	<del>1</del>	<del>1</del>	<del>1</del>													<del>E18</del>
36		19-12649-00	DEC I.C. 74LS75	1	1	1	1	1													E16
37		19-10540-00	DEC I.C. 74S22	1	1	1	1	1													E19

F.C.O. NO.

THIS DRAWING AND SPECIFICATIONS, HEREIN, ARE THE PROPERTY OF DIGITAL EQUIPMENT CORPORATION AND SHALL NOT BE REPRODUCED OR COPIED OR USED IN WHOLE OR IN PART AS THE BASIS FOR THE MANUFACTURE OR SALE OF ITEMS WITHOUT WRITTEN PERMISSION. COPYRIGHT © 1977 DIGITAL EQUIPMENT CORPORATION

TITLE  
32K 16 BIT MOS MEMORY

ASSY NO.  
D-UA-M8044-0-0  
SHEET 14 OF 16

SIZE	CODE	NUMBER	REV.
<b>B</b>	<b>PL</b>	M8044-0-0	<b>D</b>
INSERTION PARTS LIST DATA BASE REV —			

*ML*

DIGITAL EQUIPMENT CORPORATION PARTS LIST				M8044-DA* QUANTITY / VARIATION										NOTES:		
MADE BY DATE	D. MANION 12/8/77	CHECKED DATE	R. Gwyn 2-21-78	SECTION												
ENG DATE	R. Gwyn 2-21-78	PROD DATE	R. Mantel 2-21-78	ISSUED SECTION												
ITEM NO.	DRAWING NO.	PART NO.	DESCRIPTION	M8044-DB	M8044-DC	M8044-DD	M8044-DE	M8044-DF								
38		19-13340-00	DEC I.C. 74S32	1	1	1	1	1								E10
39		19-12388-00	DEC I.C. 74S02	1	1	1	1	1								E7
40		19-10544-01	DEC I.C. 74S74-01	1	1	1	1	1								E21
41		19-12541-00	-5 VOLT REGULATOR	1	1	1	1	1								Q1
42		19-12807-00	DEC I.C. 74LS10	1	1	1	1	1								E28
43		19-13777-00	DEC I.C. 74LS240	2	2	2	2	2								E5, E18
44		91-07771-00	DIODE ASSEMBLY SPACER	4	4	4	4	4								(USED WITH W2, W3)
45		90-09149-00	PIN WIRE WRAP .025 SQ. X .345 LNC13	13	13	13	13	13								
46																
47		90-07254-00	TRANSIPAD	1	1	1	1	1								(USE UNDER Q1)
48		90-08337-06	HANDLE FLIP CHIP (MAGENTA)	2	2	2	2	2								
49		90-06732-00	EYELETS	4	4	4	4	4								
50		91-05740-55	WIRE 30 AWG. GRN	A/R	A/R	A/R	A/R	A/R								
51		16-13120-00	DELAY LINE 200NS	1	1	1	1	1								E4
52		10-10274-01	CAP 0.22 UF 50V +80 - 20% CER	31	31	31	31	31								C124 thru C145, C147 thru C155
53																
54																
55		23-195F1-00	DEC I.C. 1KX4 TTL PROM	1	1	1	1	1								E9
56																
57																
58																

E.C.O. NO.	"THIS DRAWING AND SPECIFICATIONS, HEREIN, ARE THE PROPERTY OF DIGITAL EQUIPMENT CORPORATION AND SHALL NOT BE REPRODUCED OR COPIED OR USED IN WHOLE OR IN PART AS THE BASIS FOR THE MANUFACTURE OR SALE OF ITEMS WITHOUT WRITTEN PERMISSION. COPYRIGHT © 1977 DIGITAL EQUIPMENT CORPORATION"	TITLE	ASSY NO.	SIZE	CODE	NUMBER	REV.
		32K 16 BIT MOS MEMORY	D-UA-M8044-0-0	B	PL	M8044-0-0	D
		SHEET 15 OF 16	INSERTION PARTS LIST DATA BASE REV —				

# DIGITAL EQUIPMENT CORPORATION PARTS LIST

M8044-DA\* QUANTITY / VARIATION

NOTES:

MADE BY DATE	D. MANION 12/8/77	CHECKED DATE	R. Lewis 2-21-78
ENG DATE	R. Swin 2-21-78	PROD DATE	R. Mantel 2-21-78
SECTION		ISSUED SECTION	

M8044-DB	M8044-DC	M8044-DD	M8044-DE	M8044-DF													
----------	----------	----------	----------	----------	--	--	--	--	--	--	--	--	--	--	--	--	--

ITEM NO.	DRAWING NO.	PART NO.	DESCRIPTION	M8044-DB	M8044-DC	M8044-DD	M8044-DE	M8044-DF										REF DESIGNATION
59																		<p>E24, E26, E30, E32, E36, E38, E41, E43, E53, E55, E59, E61, E65, E67, E71, E73, E25, E27, E31, E33, E37, E39, E42, E44, E54, E56, E60, E62, E66, E68, E72, E74</p> <p>E24, E26, E30, E32, E38, E41, E43, E53, E55, E59, E61, E65, E67, E71, E73, E36, E25, E27, E31, E33, E37, E39, E42, E44, E54, E56, E60, E62, E66, E68, E72, E74</p> <p>W2, W3</p> <p>E24, E26, E30, E32, E36, E38, E41, E43, E53, E55, E59, E61, E65, E67, E71, E73, E25, E27, E31, E33, E37, E39, E42, E44, E54, E56, E60, E62, E66, E68, E72, E74</p> <p>E24, E26, E30, E32, E36, E38, E41, E43, E53, E55, E59, E61, E65, E67, E71, E73, E25, E27, E31, E33, E37, E39, E42, E44, E54, E56, E60, E62, E66, E68, E72, E74</p> <p>E24, E26, E30, E32, E36, E38, E41, E43, E53, E55, E59, E61, E65, E67, E71, E73, E25, E27, E31, E37, E39, E42, E44, E54, E56, E60, E62, E66, E68, E72, E74, E33</p>
60		21-13825-01	16K MOS MEMORY 16 PIN IC (MOSTEK)	32	-	-	-	-										
61		21-14408-01	16K MOS MEMORY 16 PIN IC (FUJITSU)	-	32	-	-	-										
62		5013128	ETCH BOARD	1	1	1	1	1										
63		91-07560-01	WIRE #22 BUSS	A/R	A/R	A/R	A/R	A/R										
64		21-14895-01	16K MOS MEMORY 16 PIN I.C. (INTEL)	-	-	32	-	-										
65		21-14927-01	16K MOS MEMORY 16 PIN (TI)	-	-	-	32	-										
66		21-14897-01	16K MOS MEMORY 16 PIN (HITACHI)	-	-	-	-	32										

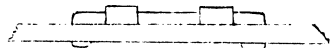
<p style="font-size: small;">"THIS DRAWING AND SPECIFICATIONS, HEREIN, ARE THE PROPERTY OF DIGITAL EQUIPMENT CORPORATION AND SHALL NOT BE REPRODUCED OR COPIED OR USED IN WHOLE OR IN PART AS THE BASIS FOR THE MANUFACTURE OR SALE OF ITEMS WITHOUT WRITTEN PERMISSION. COPYRIGHT © 1977 DIGITAL EQUIPMENT CORPORATION"</p>	<p>TITLE 32K 16 BIT MOS MEMORY</p>	<p>ASSY NO. D-UA-M8044-0-0</p>	<p>SIZE <b>B</b></p>	<p>CODE <b>PL</b></p>	<p>NUMBER M8044-0-0</p>	<p>REV. <b>D</b></p>
		SHEET 16 OF 16	INSERTION PARTS LIST DATA BASE REV. -			

THIS DRAWING AND SPECIFICATIONS, NUMBER, AND THE PROPERTY OF DIGITAL EQUIPMENT CORPORATION AND SHALL NOT BE REPRODUCED OR COPIED OR USED IN WHOLE OR IN PART AS THE BASIS FOR THE MANUFACTURE OR SALE OF ITEMS WITHOUT WRITTEN PERMISSION.  
 COPYRIGHT © DIGITAL EQUIPMENT CORPORATION

MODULE VARIATIONS AA/CA

1.

2. W2 THRU W5 SHOULD BE INSTALLED WITH ASSEMBLY SPACERS SO THAT THEY LOOK LIKE THE FOLLOWING:



3. R PACKS SHOULD BE INSTALLED SO THAT LEADS DO NOT INTERFERE WITH OTHER COMPONENTS

4. ⊗ WIRE WRAP PIN.

MEMORY TYPE	JUMPER CONFIG	VARIATION
NON-PARITY	5-7	AA/CA

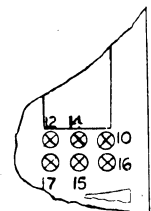
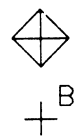
MEMORY SIZE	JUMPER CONFIG	VARIATION
4K	7-15	AA
16K	16-14	CA

7. OPTIONAL JUMPER I-2 WILL ALLOW USER TO EXTEND USABLE MEMORY SPACE FROM 28K TO 30K NORMAL JUMPER IS I-3

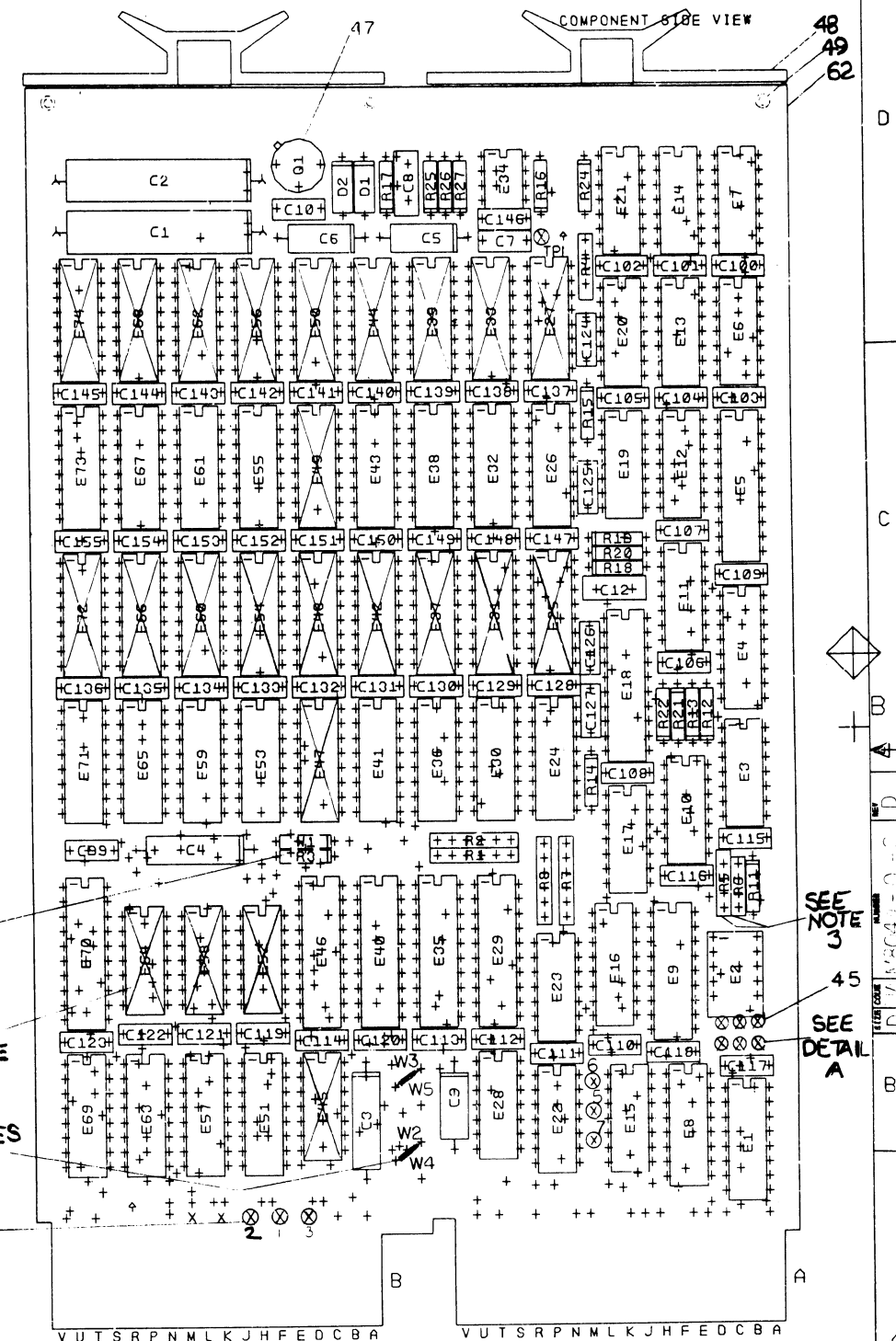
JUMPER	BATTERY BACK-UP	NON-BATTERY BACK-UP
W2	OUT	IN
W3	OUT	IN
W4	IN	OUT
W5	IN	OUT

MEMORY SIZE	W1	R3	VARIATION
4K	IN	OUT	AA
16K	OUT	IN	CA

10. THE FOLLOWING IC'S ARE NOT INSTALLED IN AA & CA VARIATIONS:  
 E25, 27, 31, 33, 37, 39, 42, 44, 45, 47, 48, 49, 50, 52, 54, 56, 58, 60, 62, 64, 66, 68, 72 & 74.



DETAIL A



NOTES:

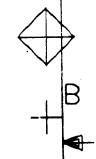
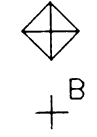
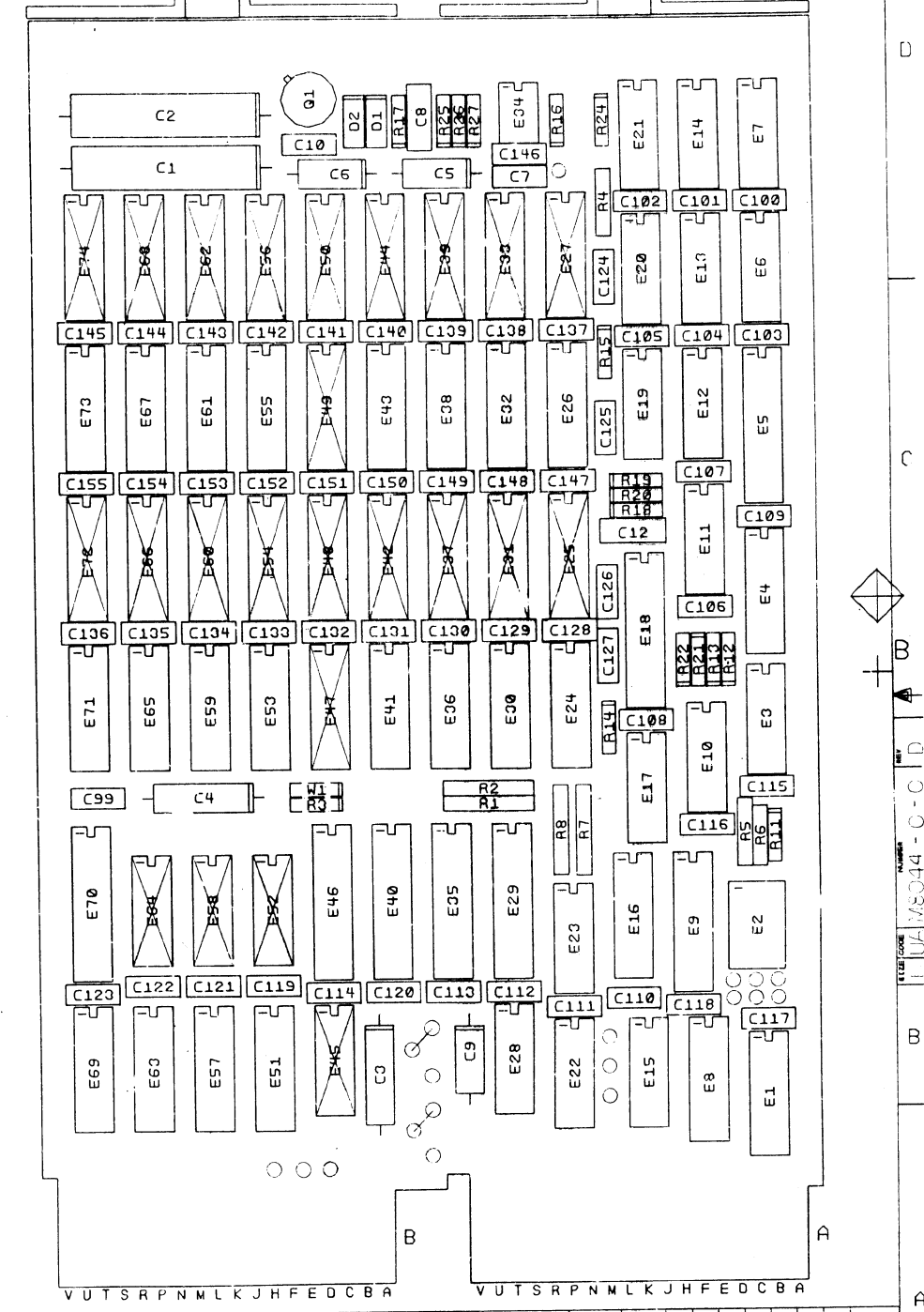
CHK CHANGE NO. REV.	22	M8644	0001	C
REVISED & REDRAWN	5/78	DL	DM	1/8
R. GIVEN	2/80	DL	DM	2/80
R. GIVEN	1/80	DL	DM	1/80
R. GIVEN	1/80	DL	DM	1/80

ETCH REV. D-1	P.C. DESIGN DATA BASE REV. DL & DM
---------------	------------------------------------

SIGNATURES	DATE	digital
DRN. <i>[Signature]</i>		
CHK'D. <i>[Signature]</i>		TITLE
ENG.		32K 16BIT MOS MEMORY
PROJ. ENG.		SCALE 2/1
PROD.		SIZE CODE NUMBER
SHT. 1 OF 8		D UA M8644-0-0 D
NEXT HIGHER ASSY: B-DD-N6043-0		REV

THIS DRAWING AND SPECIFICATIONS, HEREIN, ARE THE PROPERTY OF DIGITAL EQUIPMENT CORPORATION AND SHALL NOT BE REPRODUCED OR COPIED OR USED IN WHOLE OR IN PART AS THE BASIS FOR THE MANUFACTURE OR SALE OF ITEMS WITHOUT WRITTEN PERMISSION. DIGITAL EQUIPMENT CORPORATION

MODULE VARIATIONS AAf CA



NOTES:

CHK	CHANGE	NO	REV

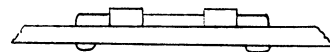
SIGNATURES	DATE	digital
DRN.		
CHK'D.		TITLE
ENC.		32K 16BIT MOS MEMORY
PROJ. ENG.		SIZE CODE
PROD.		NUMBER
SCALE 2/1		REV
SHT. 2 OF 8		0 UA M8044-0-0 D
NEXT HIGHER ASSY.		

THIS DRAWING AND SPECIFICATIONS, HEREIN, AND THE PROPERTY OF DIGITAL EQUIPMENT CORPORATION AND SHALL NOT BE REPRODUCED OR COPIED OR USED IN WHOLE OR IN PART AS THE BASIS FOR THE MANUFACTURE OR SALE OF ITEMS WITHOUT WRITTEN PERMISSION. DIGITAL EQUIPMENT CORPORATION COPYRIGHT

MODULE VARIATIONS BA & DA

COMPONENT SIDE VIEW

2. W2 THRU W5 SHOULD BE INSTALLED WITH ASSEMBLY SPACERS SO THAT THEY LOOK LIKE THE FOLLOWING:



3. R-PACKS SHOULD BE INSTALLED SO THAT LEADS DO NOT INTERFERE WITH OTHER COMPONENTS

4. ⊗ WIRE WRAP PIN.

MEMORY TYPE	JUMPER CONFIG	VARIATION
NON-PARITY	5-7	BA, DA

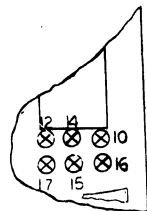
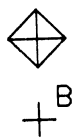
MEMORY SIZE	JUMPER CONFIG	VARIATION
8K	1-15	BA
32K	16-15	DA

7. OPTIONAL JUMPER I-2 WILL ALLOW USER TO EXTEND USABLE MEMORY SPACE FROM 28K TO 30K. NORMAL JUMPER IS I-3.

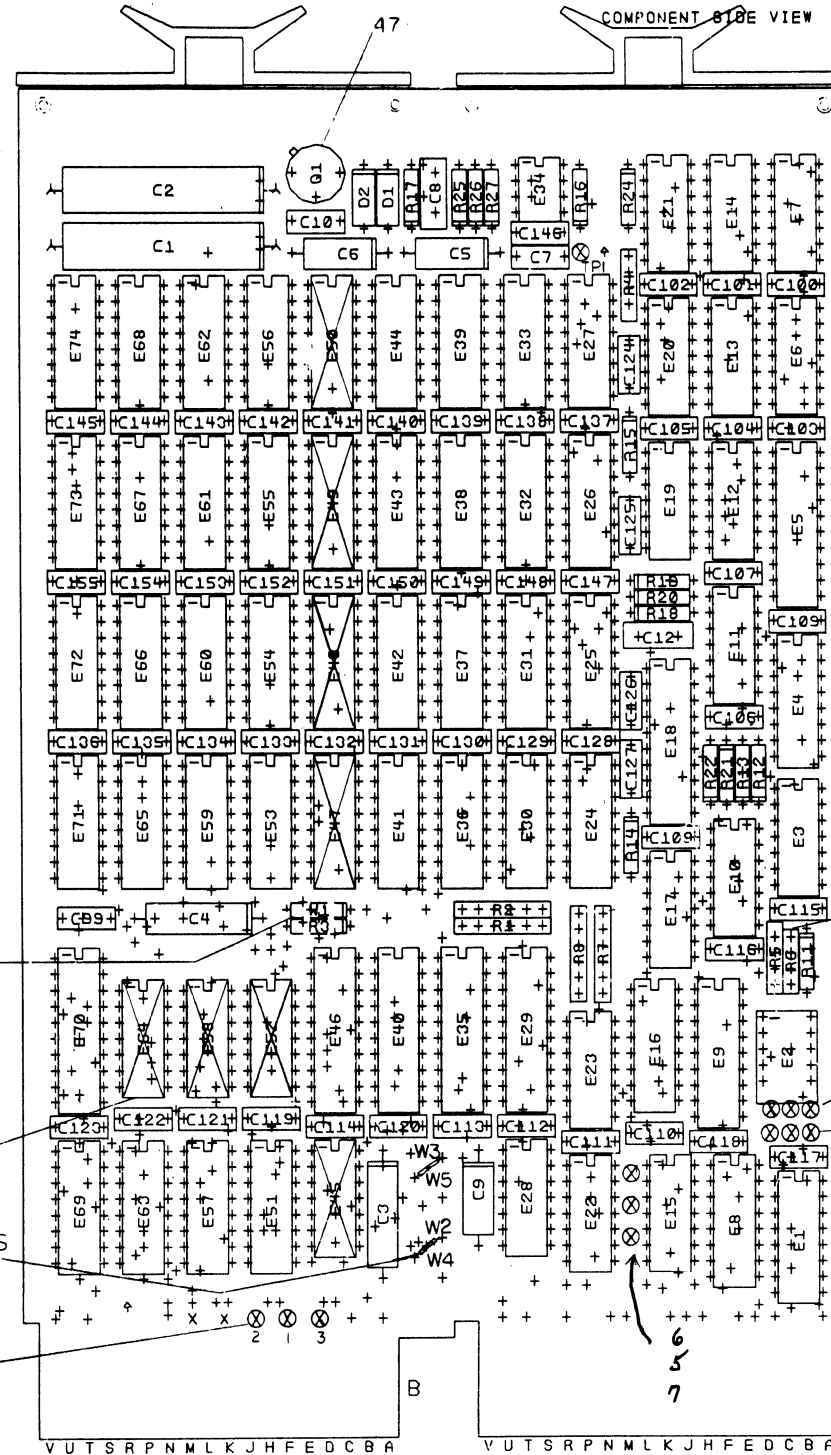
JUMPER	BATTERY BACK-UP	NON BATTERY BACK-UP
W2	OUT	IN
W3	OUT	IN
W4	IN	OUT
W5	IN	OUT

MEMORY SIZE	W1	R3	VARIATION
8K	IN	OUT	BA
32K	OUT	IN	DA

10. THE FOLLOWING IC'S ARE NOT INSTALLED IN BA & DA VARIATIONS: E45, 47, 48, 49, 50, 52, 58 & 64.



DETAIL A



SEE NOTE 3

SEE DETAIL A

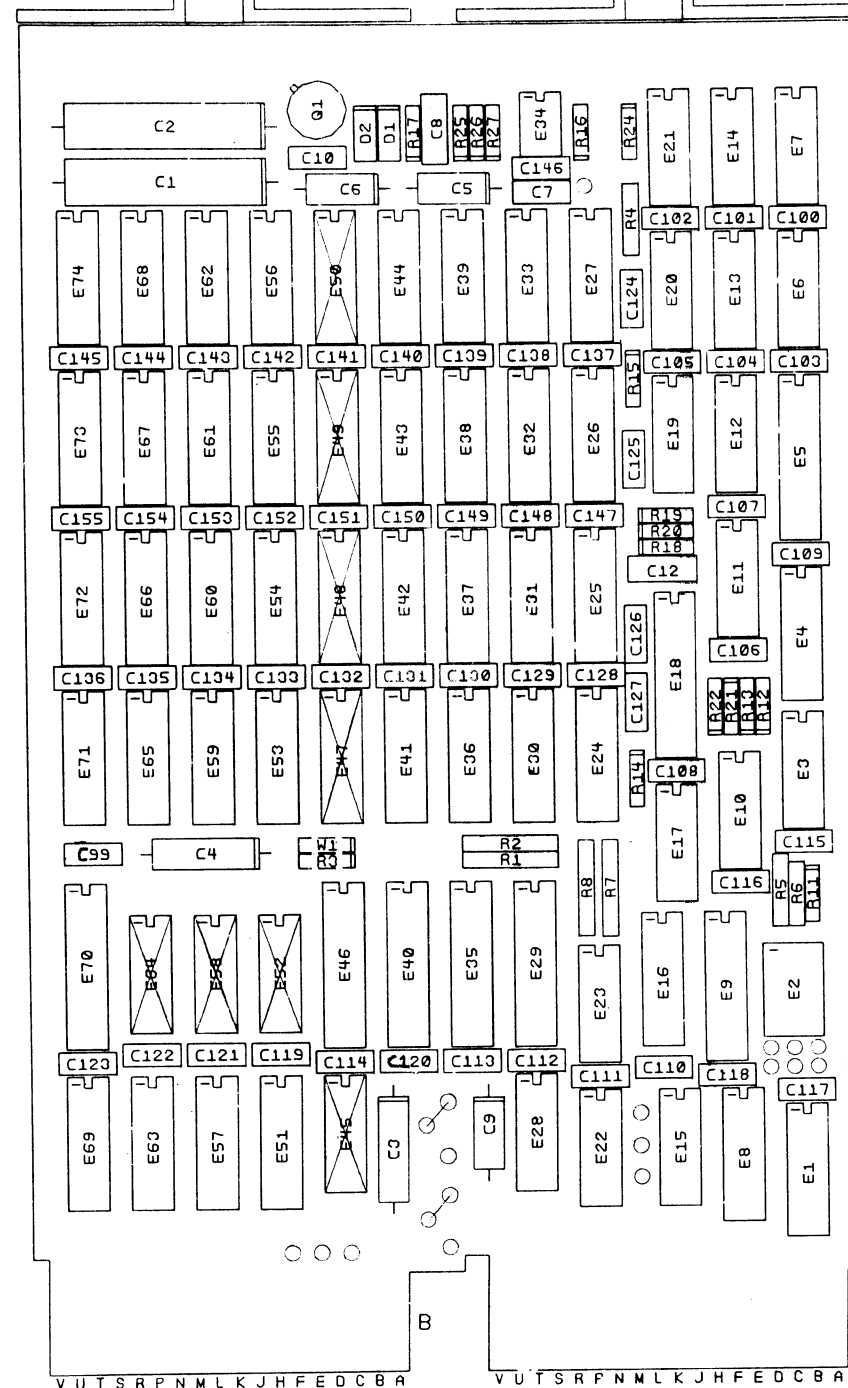
NOTES:

CH	REVISION	DATE

SIGNATURES		DATE	digital
DRN.			
CHK'D.			TITLE
ENG.			32K 1681T MOS MEMORY
PROJ. ENG.			SIZE CODE
PROD.			NUMBER
SCALE 2/1			REV
SHT. 3 OF 8			D UA M8044-0-0
NEXT HIGHER ASSY. B-DD-M8044-0			

THIS DRAWING AND SPECIFICATIONS, HEREIN, ARE THE PROPERTY OF DIGITAL EQUIPMENT CORPORATION AND SHALL NOT BE REPRODUCED OR COPIED OR USED IN WHOLE OR IN PART AS THE BASIS FOR THE MANUFACTURE OR SALE OF ITEMS WITHOUT WRITTEN PERMISSION.  
 COPYRIGHT © DIGITAL EQUIPMENT CORPORATION

MODULE VARIATIONS BA#DA



NOTES:


CHK	CHANGE	NO	REV

SIGNATURES		DATE	digital
DRN.			
CHK'D.		3-20-72	
ENG.			TITLE
PROJ. ENG.			32K 16BIT MOS MEMORY
PROD.			
SCALE	2/1		SIZE CODE NUMBER REV
SHT.	4 OF 8		D UA M8044-0-0 D
NEXT HIGHER ASSY.: D M8044-0-0			



THIS DRAWING AND SPECIFICATIONS HEREBY ARE THE PROPERTY OF DIGITAL EQUIPMENT CORPORATION AND SHALL NOT BE REPRODUCED OR TRANSMITTED IN ANY FORM OR BY ANY MEANS, ELECTRONIC OR MECHANICAL, INCLUDING PHOTOCOPYING, RECORDING, OR BY ANY INFORMATION STORAGE AND RETRIEVAL SYSTEM, WITHOUT PERMISSION IN WRITING FROM DIGITAL EQUIPMENT CORPORATION.

NOTES:

1. ● = WIRE WRAP PIN

TYPE MEMORY	JUMPER CONFIGURATION
NON PARITY	5 TO 7
PARITY	5 TO 6

TYPE	JUMPER CONFIGURATION
4K	17 TO 15 & 17 TO 14
8K	17 TO 15 & 12 TO 14
16K	16 TO 15 & 16 TO 14
32K	16 TO 15 & 10 TO 14

DEC (K)	OCTAL	SWITCH SETTING (X = OFF)				
		SI-1	SI-2	SI-3	SI-4	SI-5
0	000000					
4	020000					X
8	040000				X	
12	060000				X	X
16	100000			X		
20	120000			X		X
24	140000			X	X	
28	160000			X	X	X
32	200000		X			
36	220000		X			X
40	240000		X		X	
44	260000		X		X	X
48	300000		X	X		
52	320000		X	X		X
56	340000		X	X	X	
60	360000		X	X	X	X
64	400000	X				
68	420000	X				X
72	440000	X			X	
76	460000	X		X		X
80	500000	X		X		
84	520000	X		X		X
88	540000	X		X	X	
92	560000	X		X	X	X
96	600000	X	X			
100	620000	X	X			X
104	640000	X	X		X	
108	660000	X	X		X	X
112	700000	X	X	X		
116	720000	X	X	X		X
120	740000	X	X	X	X	
124	760000	X	X	X	X	X

5. NORMAL JUMPER 1 TO 3, OPTIONAL JUMPER 1 TO 2 WILL ALLOW USER TO EXTEND USABLE MEMORY SPACE FROM 28K TO 30K.

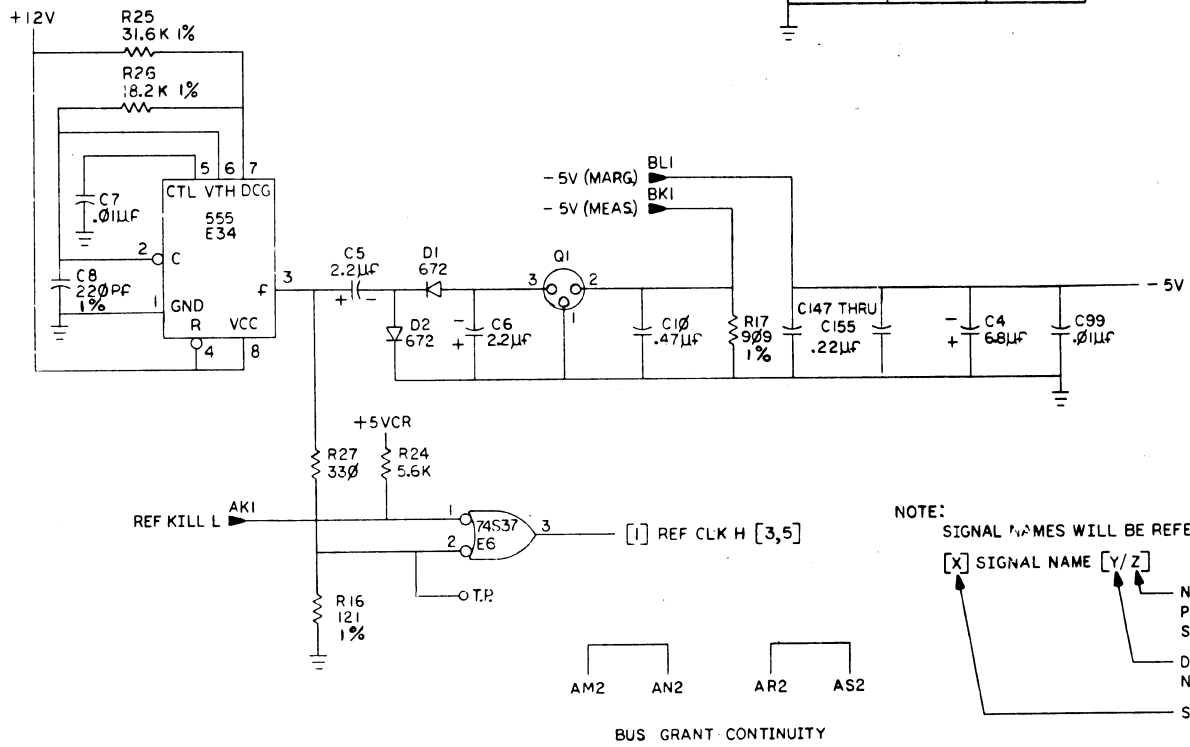
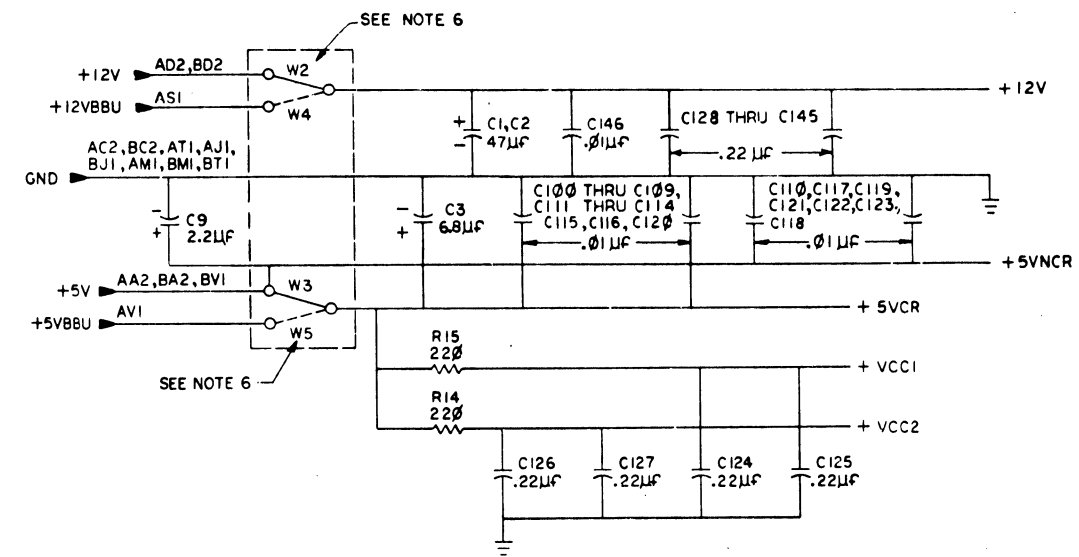
JUMPER	BATTERY BACK-UP	NON BATTERY BACK-UP
W2	OUT	IN
W3	OUT	IN
W4	IN	OUT
W5	IN	OUT

MEMORY SIZE	W1	R3
4K	IN	OUT
8K	IN	OUT
16K	OUT	IN
32K	OUT	IN

OPTION DESIGNATION	PRIMARY VARIATION	SYSTEM DESCRIPTION
MSV11-DA	M8044-AA	4K X 16 BITS
MSV11-DB	M8044-BA	8K X 16 BITS
MSV11-DC	M8044-CA	16K X 16 BITS
MSV11-DD	M8044-DA	32K X 16 BITS

IC TYPE	+5V	GND	+12V	-5V
555		1	8	
MOS	9	16	8	1
74S373	20	10		
74LS393	14	7		
74S280	14	7		
74S74	14	7		
74S10	14	7		
74S11	14	7		
8641	16	8		
8640	8	1		
74S240	20	10		
74S37	14	7		
74S22	14	7		
1K X 4 PROM	18	9		
74S02	14	7		
74LS75	5	12		
74S32	14	7		
74LS10	14	7		
74LS240	20	10		

10. THESE I.C.'S USED ONLY IN 8K & 32K CONFIG'S.



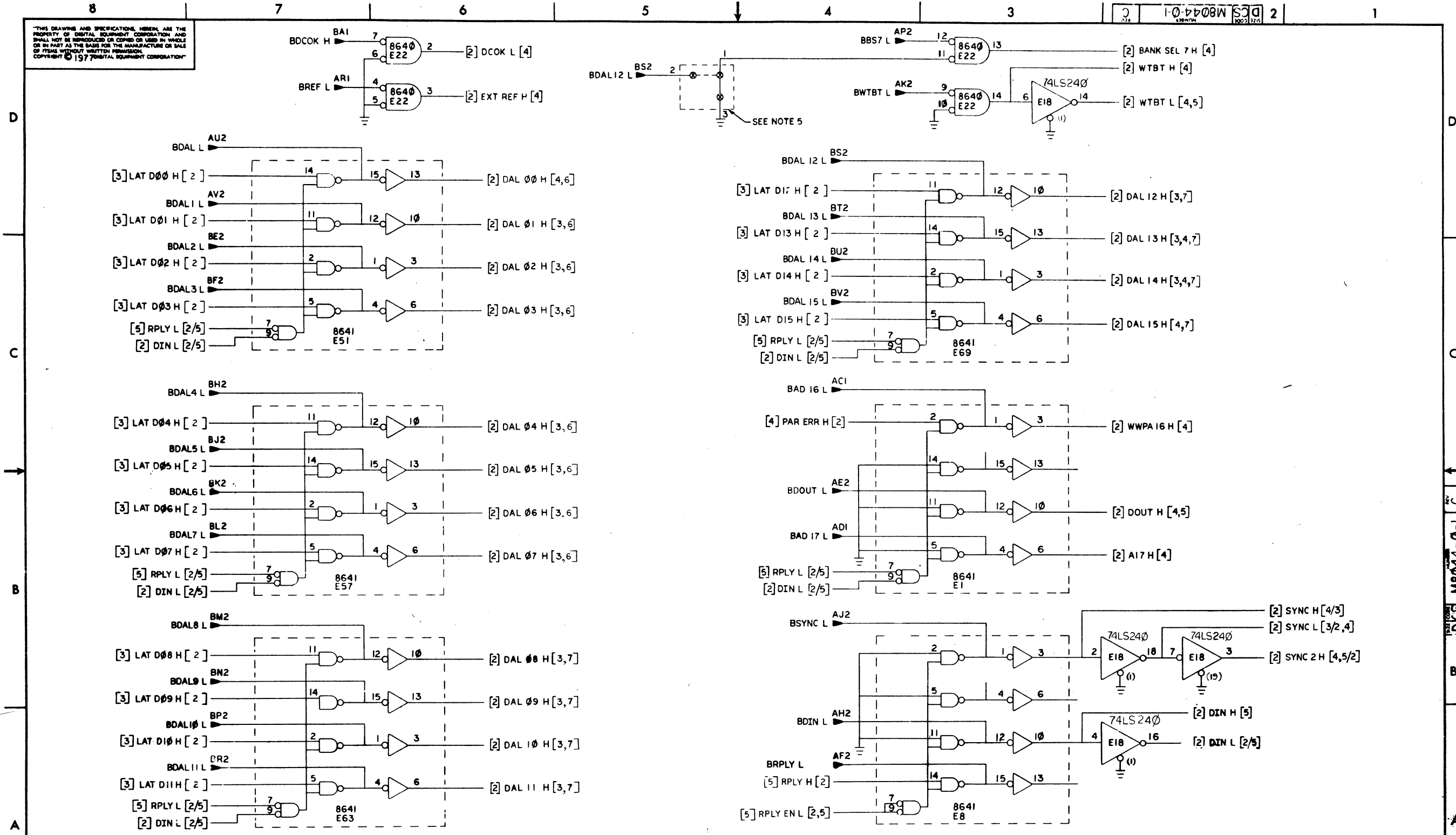
NOTE: SIGNAL NAMES WILL BE REFERENCED AS FOLLOWS:  
 [X] SIGNAL NAME [Y/Z]  
 NUMBER OF CONNECTION POINTS ON DESTINATION SHEET.  
 DESTINATION SHEET NUMBER.  
 SOURCE SHEET NUMBER.

REV.	DATE	BY	CHK'D
1	10/27/78	R. GIVEN	R. GIVEN
2	11/13/78	R. GIVEN	R. GIVEN
3	12/13/78	R. GIVEN	R. GIVEN
4	12/27/78	R. GIVEN	R. GIVEN

DRN. STAFF	0-25-77	FIRST USED ON	MSV11-D
CHK'D	R. GIVEN	DATE	2-21-78
ENG. R.	GIVEN	DATE	2-21-78
PROJ. ENG. R.	GIVEN	DATE	2-21-78
PROD. R.	GIVEN	DATE	2-21-78
NEXT HIGHER ASSY.		SIZE	CODE
B-DD-M8044-0		NUMBER	REV.
SCALE	1	DIST.	C
SHEET	1 OF 7		

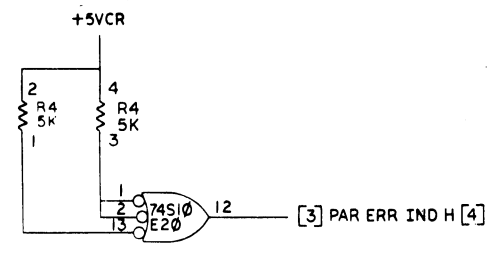
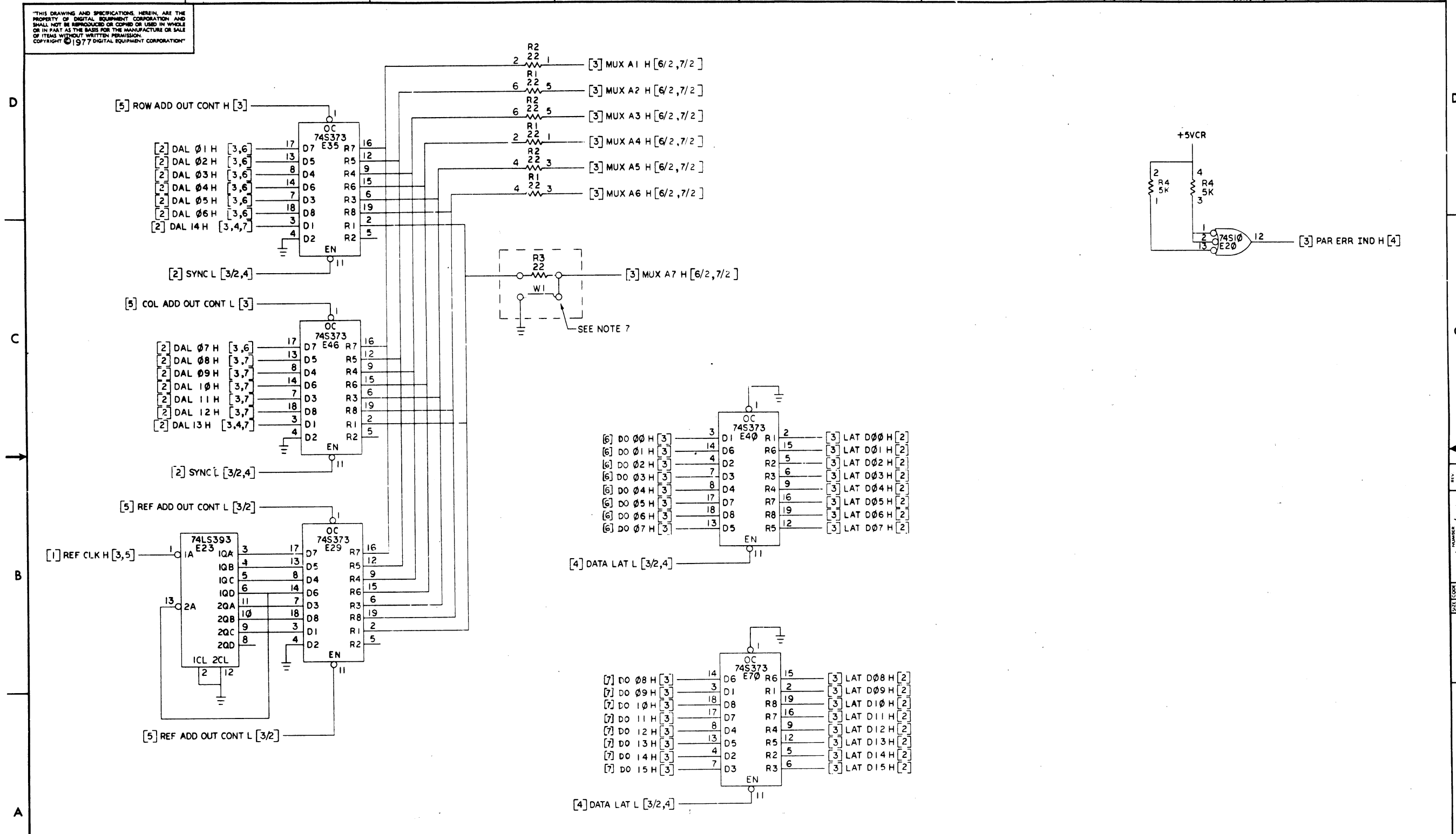
DIGITAL M8044-0-1

THIS DRAWING AND SPECIFICATIONS HEREIN ARE THE PROPERTY OF DIGITAL EQUIPMENT CORPORATION AND SHALL NOT BE REPRODUCED OR COPIED OR USED IN WHOLE OR IN PART AS THE BASIS FOR THE MANUFACTURE OR SALE OF ITEMS WITHOUT WRITTEN PERMISSION. COPYRIGHT © 1977 DIGITAL EQUIPMENT CORPORATION.



REVISIONS		
CHK	CHANGE NO.	REV.

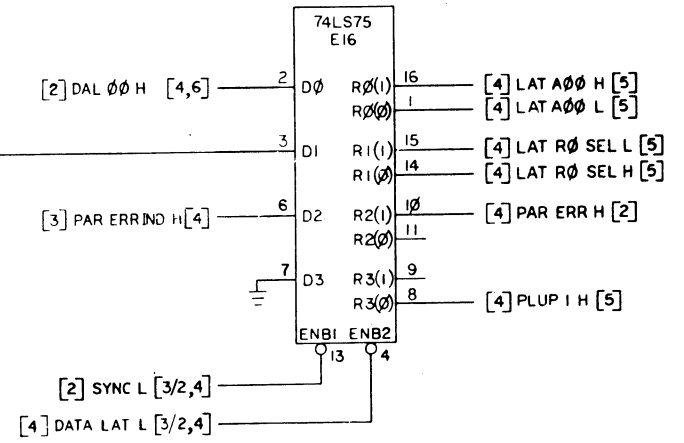
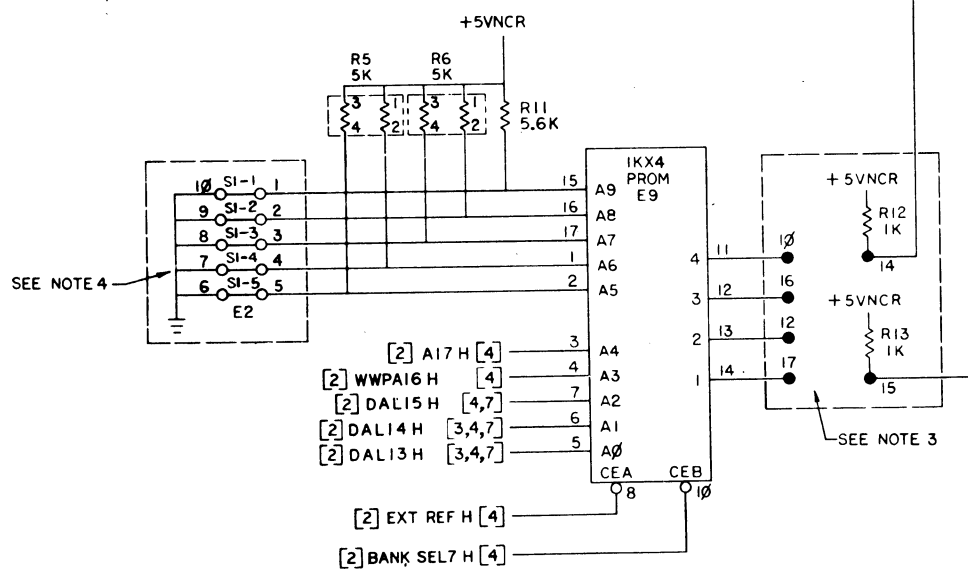
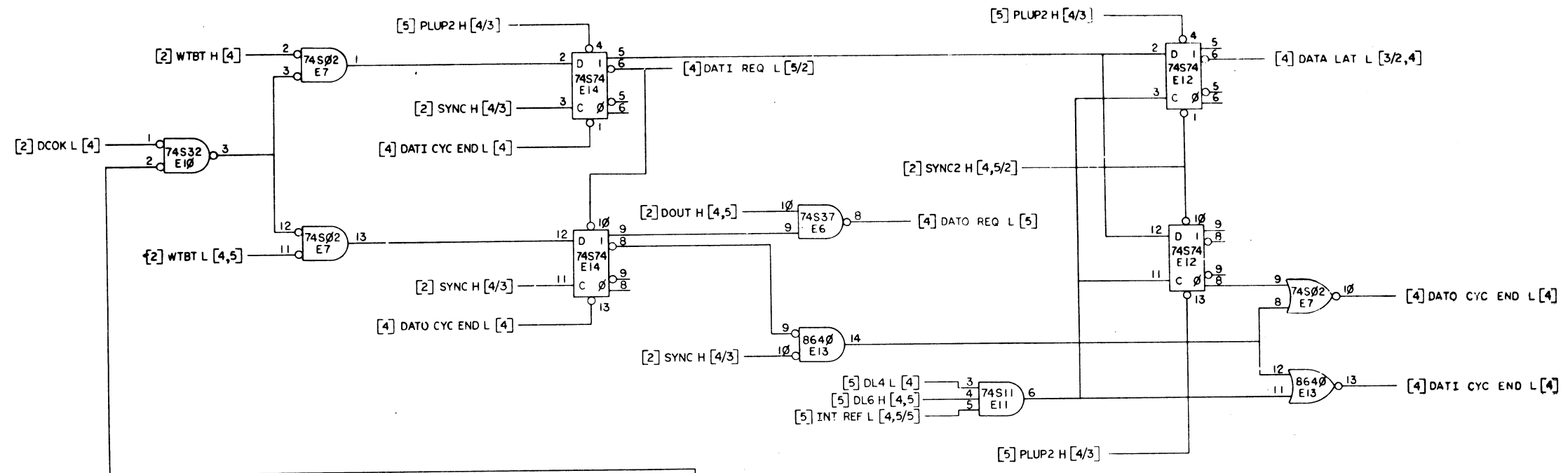
"THIS DRAWING AND SPECIFICATIONS HEREIN ARE THE PROPERTY OF DIGITAL EQUIPMENT CORPORATION AND SHALL NOT BE REPRODUCED OR COPIED OR USED IN WHOLE OR IN PART AS THE BASIS FOR THE MANUFACTURE OR SALE OF ITEMS WITHOUT WRITTEN PERMISSION. COPYRIGHT © 1977 DIGITAL EQUIPMENT CORPORATION"



REVISIONS			TITLE		SIZE	CODE	NUMBER		REV.
CHK	CHANGE NO	REV	32K 16BIT MOS MEM		D	CS	M8044-0-1		C
			SCALE	SHEET	3 OF 7		DIST		

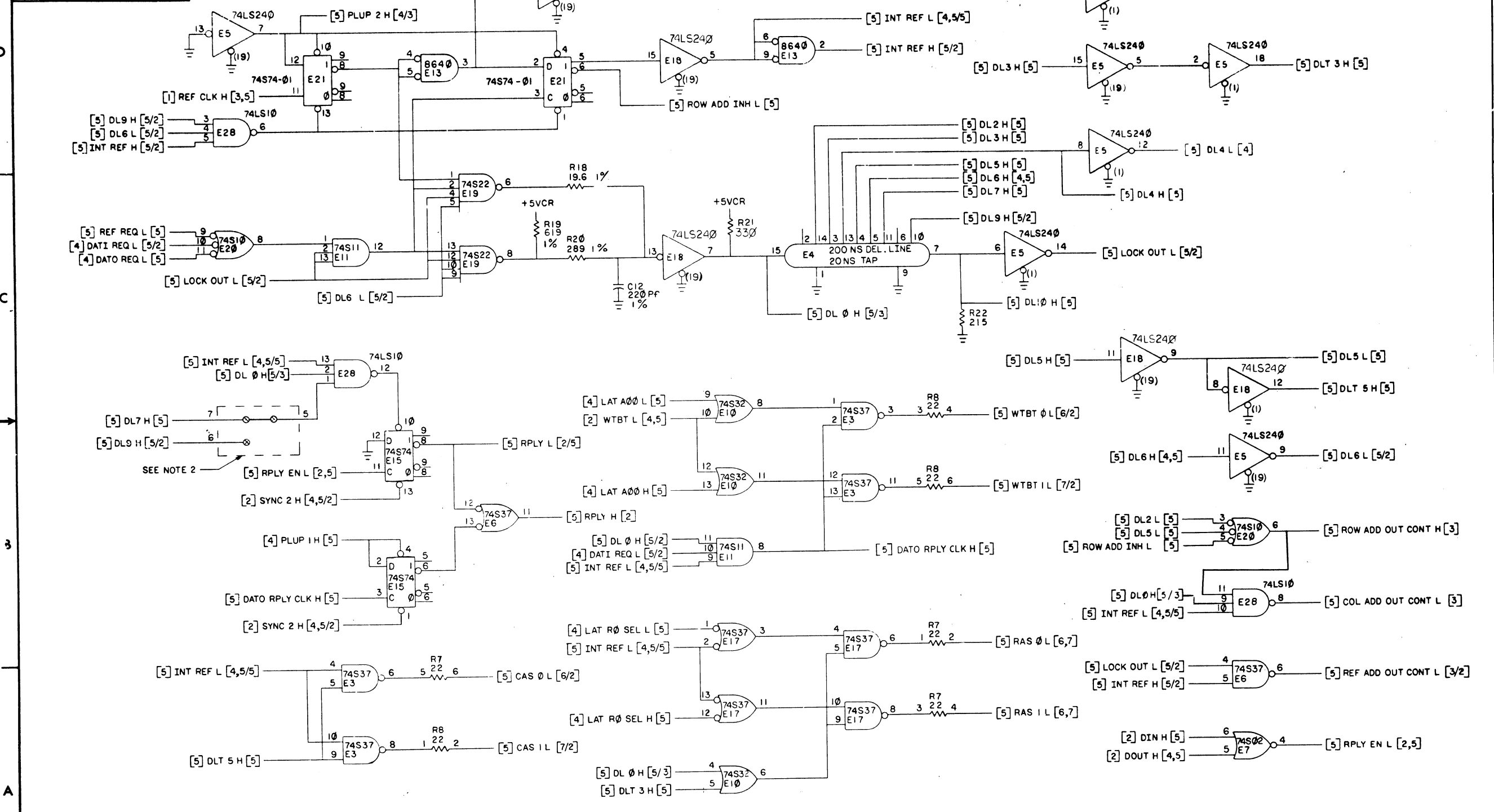
D E S I G N N U M B E R M 8 0 4 4 - 0 - 1

THIS DRAWING AND SPECIFICATIONS HEREIN ARE THE PROPERTY OF DIGITAL EQUIPMENT CORPORATION AND SHALL NOT BE REPRODUCED OR COPIED IN WHOLE OR IN PART AS THE BASIS FOR THE MANUFACTURE OR SALE OF ITEMS WITHOUT WRITTEN PERMISSION. COPYRIGHT © 1977 DIGITAL EQUIPMENT CORPORATION



REVISIONS		
CHK	CHANGE NO.	REV.

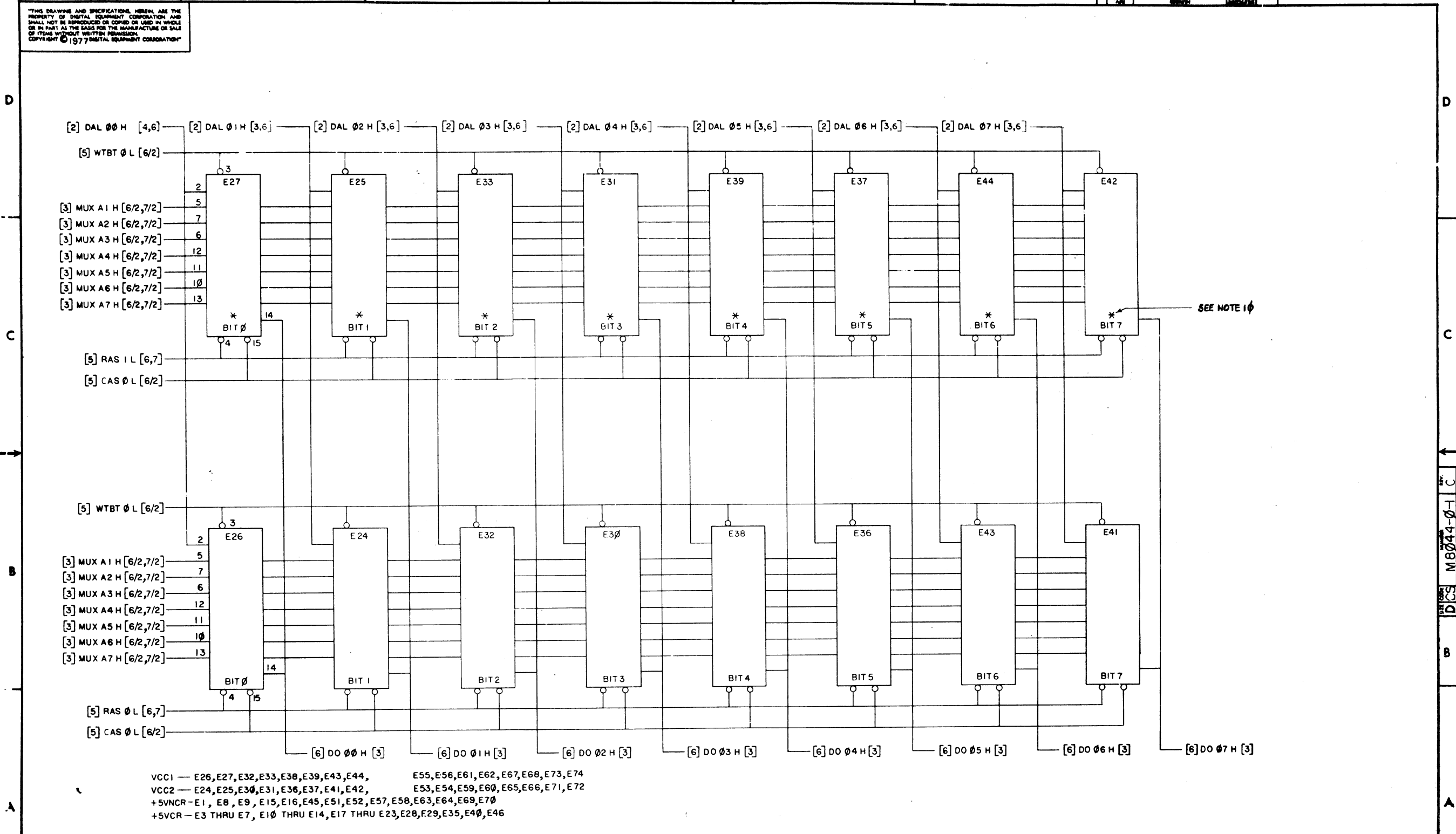
"THIS DRAWING AND SPECIFICATIONS HEREIN ARE THE PROPERTY OF DIGITAL EQUIPMENT CORPORATION AND SHALL NOT BE REPRODUCED OR COPIED OR USED IN WHOLE OR IN PART AS THE BASIS FOR THE MANUFACTURE OR SALE OF ITEMS WITHOUT WRITTEN PERMISSION. COPYRIGHT © 1977 DIGITAL EQUIPMENT CORPORATION"



REVISIONS		
CHK	CHANGE NO.	REV.

THIS DRAWING AND SPECIFICATIONS HEREIN ARE THE PROPERTY OF DIGITAL EQUIPMENT CORPORATION AND SHALL NOT BE REPRODUCED OR COPIED OR USED IN WHOLE OR IN PART AS THE BASIS FOR THE MANUFACTURE OR SALE OF ITEMS WITHOUT WRITTEN PERMISSION. COPYRIGHT © 1977 DIGITAL EQUIPMENT CORPORATION

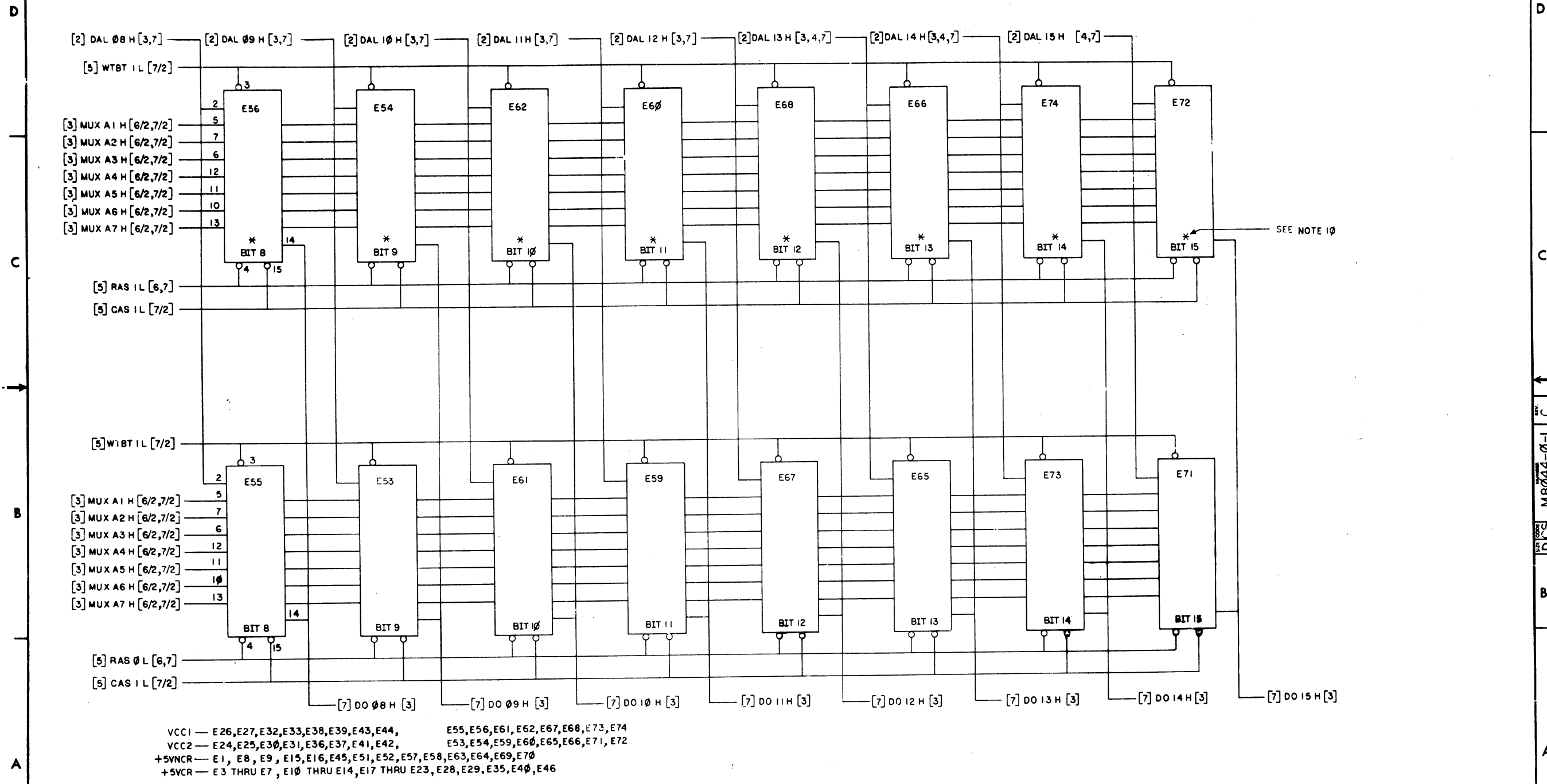
1-0-7708W DCS M8044-0-1 2



REVISIONS		
CHK	CHANGE NO.	REV.

TITLE 32K 16BIT MOS MEM DCS M8044-0-1 C  
SCALE / / SHEET 6 OF 7 DIST.

THIS DRAWING AND SPECIFICATIONS HEREIN ARE THE PROPERTY OF DIGITAL EQUIPMENT CORPORATION AND SHALL NOT BE REPRODUCED OR COPIED OR USED IN WHOLE OR IN PART AS THE BASIS FOR THE MANUFACTURE OR SALE OF ITEMS WITHOUT WRITTEN PERMISSION.  
 COPYRIGHT © 1977 DIGITAL EQUIPMENT CORPORATION



VCC1 — E26, E27, E32, E33, E38, E39, E43, E44, E55, E56, E61, E62, E67, E68, E73, E74  
 VCC2 — E24, E25, E30, E31, E36, E37, E41, E42, E53, E54, E59, E60, E65, E66, E71, E72  
 +5VNCR — E1, E8, E9, E15, E16, E45, E51, E52, E57, E58, E63, E64, E69, E70  
 +5VCR — E3 THRU E7, E10 THRU E14, E17 THRU E23, E28, E29, E35, E40, E46

REVISIONS		
CHK	CHANGE NO.	REV.

TITLE	32K 16 BIT MOS MEM	SIZE/DATE	DCS	NUMBER	M8044-0-1	REV.	C
SCALE		SHEET	7 OF 7	DIST.			

ML 1