

DIGITAL EQUIPMENT CORPORATION MAYNARD, MASSACHUSETTS PARTS LIST					QUANTITY/VARIATION																			
MADE BY	D. HEALY	CHECKED	D. HEALY	SECTION	MS11-E	MS11-EP	MS11-F	MS11-FP	MS11-J	MS11-JP														
DATE	10/6/75	DATE	10/6/75	1																				
ENG	R. BARRY <i>R Barry</i>	PRODR	<i>R. Peter</i>	ISSUED SECT.																				
DATE	10-22-75	DATE	10/22/75	1																				
ITEM NO.	DWG NO. / PART NO.	DESCRIPTION																						
	D-CS-M7847-AA-1	UNIBUS MOS MEM				1	-	-	-	-	-													
	D-CS-M7847-AB-1	UNIBUS MOS MEM				-	1	-	-	-	-													
	D-CS-M7847-AC-1	UNIBUS MOS MEM				-	-	1	-	-	-													
	D-CS-M7847-AD-1	UNIBUS MOS MEM				-	-	-	1	-	-													
	D-CS-M7847-AH-1	UNIBUS MOS MEM				-	-	-	-	1	-													
	D-CS-M7847-AJ-1	UNIBUS MOS MEM				-	-	-	-	-	1													
TITLE		ASSY NO.		SIZE CODE	NUMBER					REV.	ECO NO.													
MOS RAM (MS11-E)		NONE		A PL	MS11-E-Ø					A	MS11-E-00001													
SHEET 1 OF 1				DIST.																				

"THIS DRAWING AND SPECIFICATIONS, HEREIN, ARE THE PROPERTY OF DIGITAL EQUIPMENT CORPORATION AND SHALL NOT BE REPRODUCED OR COPIED OR USED IN WHOLE OR IN PART AS THE BASIS FOR THE MANUFACTURE OR SALE OF ITEMS WITHOUT WRITTEN PERMISSION. COPYRIGHT © 1977 DIGITAL EQUIPMENT CORPORATION"

NOTES:
1. DEC PART NO. 1001810-00 IS AN ACCEPTABLE REPLACEMENT FOR DEC PART NO. 1001810-01 (ITEM 14).
2. VARIATIONS YA THRU YJ. ITEM 21; DI DIODE, ZENER IN751A, 5.1V, 5% (110990-00)
ITEM 28; RES 270, 1/4W, 5% CC (130192-00)
VARIATIONS BA THRU BJ. ITEM 25; 4K18 PIN MOSRAM V88 -0Y (21-11748-00)
ITEM 25; MOSTEK 4096 (21-12728-00)
ITEM 25; FUJITSU 8224 (21-13787-01)
VARIATIONS CA THRU CJ. ITEM 25; MOSTEK 4021 (21-13785-01)
ITEM 25; INTEL 2104A (21-13785-01)
VARIATIONS DA THRU DJ. ITEM 25; HITACHI (21-15892-01)
VARIATIONS EA THRU EJ. ITEM 25; DEC 4027 (21-13914-01)
ITEM 25; FUJITSU 8227 (21-14475-01)
VARIATIONS FA THRU FJ.
VARIATIONS GA THRU GJ.
VARIATIONS HA THRU HJ.
VARIATIONS IA THRU IJ.

Grid of alphanumeric characters for part identification, including letters J through Y and numbers 1 through 8.

Table with columns: QTY, REF, REF DESIGNATION, DESCRIPTION, PART NO., ITEM NO. Rows include items like DATA BASE TAPE, UNIT ASSEMBLY, DRILL & ETCH DWG, MODULE ECO HISTORY, ETCHED CIRCUIT BOARD, and various capacitors and resistors.

Grid of alphanumeric characters for part identification, including letters J through Y and numbers 1 through 8.

Table with columns: QTY, REF, REF DESIGNATION, DESCRIPTION, PART NO., ITEM NO. Rows include various integrated circuits (ICs) such as IC 8001, IC 8040, IC 1474, etc.

REVISIONS table with columns: CHK, CHANGE NO., REV.

Table with columns: TITLE, SIZE, CODE, NUMBER, REV. TITLE: UNIBUS MOS MEMORY. SIZE: D. CODE: US. NUMBER: M7847 0 1. REV: K.

"THIS DRAWING AND SPECIFICATIONS HEREIN ARE THE PROPERTY OF DIGITAL EQUIPMENT CORPORATION AND SHALL NOT BE REPRODUCED OR COPIED OR USED IN WHOLE OR IN PART AS THE BASIS FOR THE MANUFACTURE OR SALE OF ITEMS WITHOUT WRITTEN PERMISSION. COPYRIGHT © 1977 DIGITAL EQUIPMENT CORPORATION"

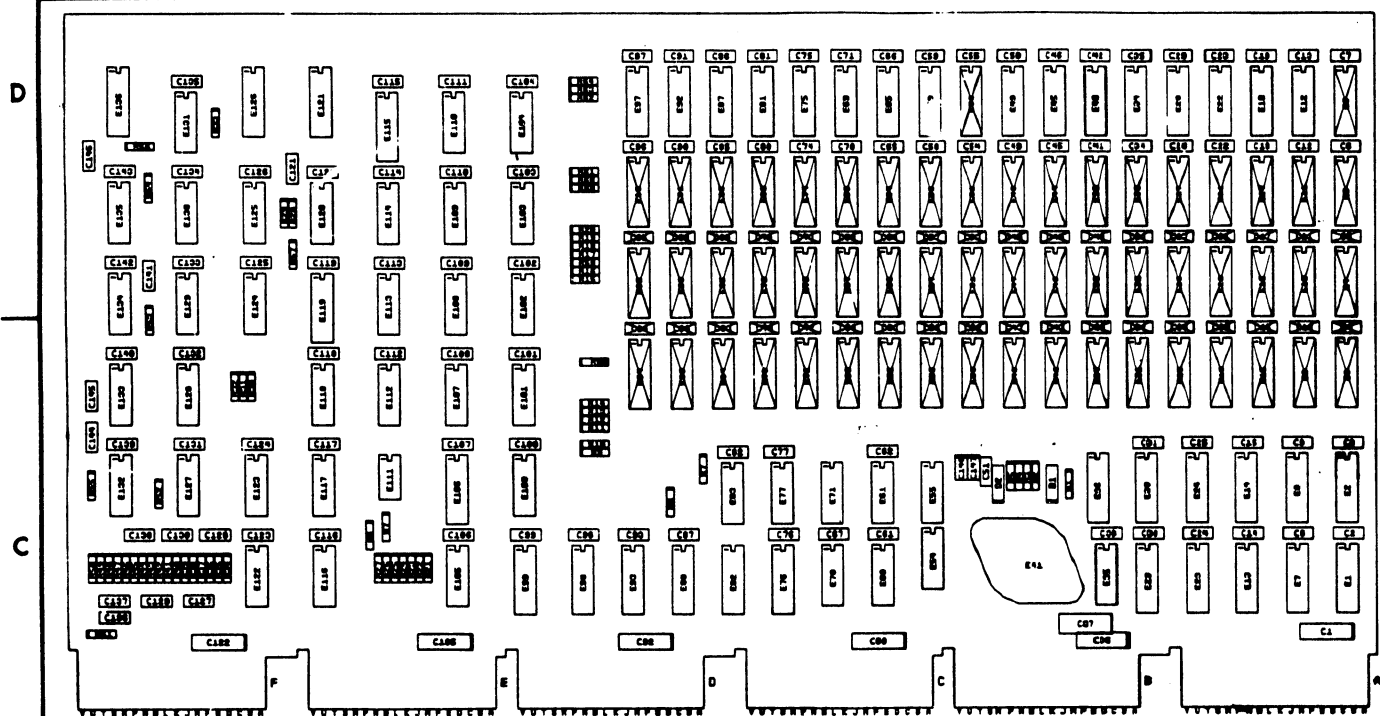
								PARTS LIST			
								REF DESIGNATION	DESCRIPTION	PART NO.	ITEM NO
1	1	1	1	1	1	1	1	E111	DIP SWITCH	121164-01	66
8	8	8	8	8	8	8	8		SPLIT LUGS	9008735-00	67
1	1	1	1	1	1	1	1		HANDLE ASSY	1210711-02	68
12	12	12	12	12	12	12	12		EYELET	9008732-00	69
2	2	2	2	2	2	2	2		NUT, #6-40	9008667-00	70
2	2	2	2	2	2	2	2		SCR, PH. #4-40 x .31	9008010-01	71
A/R	A/R	A/R	A/R	A/R	A/R	A/R	A/R		THERMAL COMPOUND	9008288-00	72
A/R	A/R	A/R	A/R	A/R	A/R	A/R	A/R		WIRE, #22 AWG BUS	9107890-01	73
A/R	A/R	A/R	A/R	A/R	A/R	A/R	A/R		WIRE, #30 AWG WIRE WAP	9108740-55	74
1	1	1	1	1	1	1	1	C37	CAP 0.1UF, 25V	1012064-01	75
2	2	2	2	2	2	2	2	C47, C148	CAP .47UF, 15V, CER	1010279-06	76
1	1	1	1	1	1	1	1	W8	JUMPER, WIRE INSULATED	9009165-00	77
1	1	1	1	1	1	1	1	E110	IC 74LS10	1912818-00	78
REF	REF	REF	REF	REF	REF	REF	REF		DRAWING DIRECTORY	B-DD-M7847-0	79

REVISIONS		
CHK	CHANGE NO.	REV.

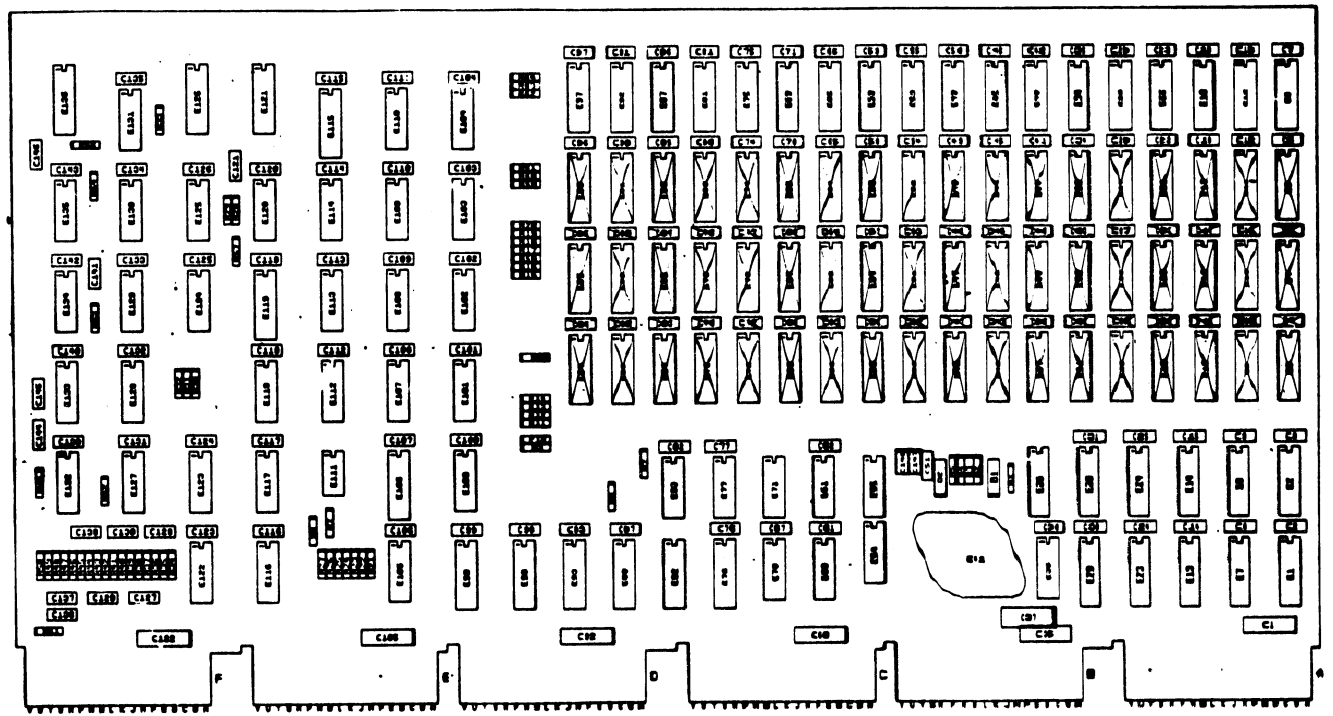
TITLE	UNIBUS MOS MEMORY	41281550 4	NUMBER	M7847-0-1	REV.	K
SCALE	SHEET 3 OF 16		DWT.			

THIS DRAWING AND SPECIFICATIONS, HEREIN, ARE THE PROPERTY OF DIGITAL EQUIPMENT CORPORATION AND SHALL NOT BE REPRODUCED OR COPIED OR USED IN WHOLE OR IN PART AS THE BASIS FOR THE MANUFACTURE OR SALE OF ITEMS WITHOUT WRITTEN PERMISSION. COPYRIGHT © 1978 DIGITAL EQUIPMENT CORPORATION

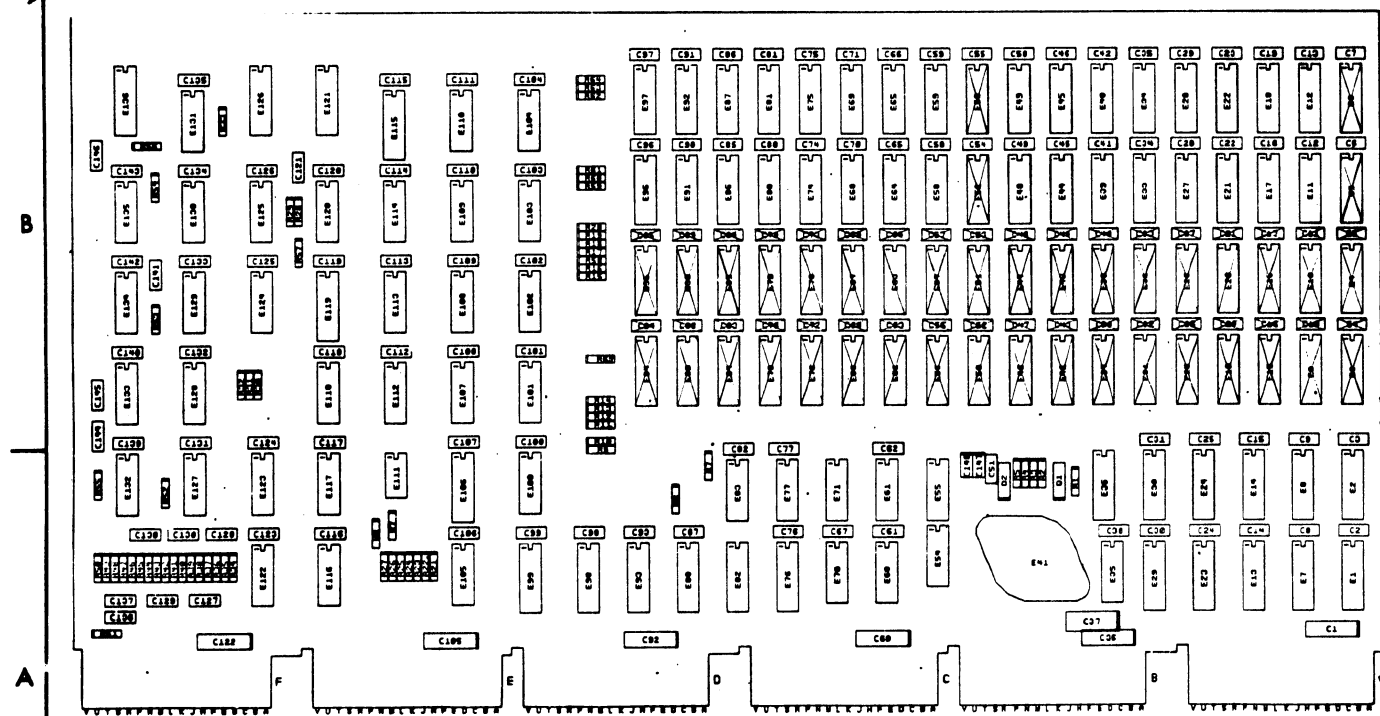
NOTE:
THESE OVERLAYS ONLY TO INDICATE POSITIONS FOR 4K MOS MEMORY IC'S & .22 UF CAPS.



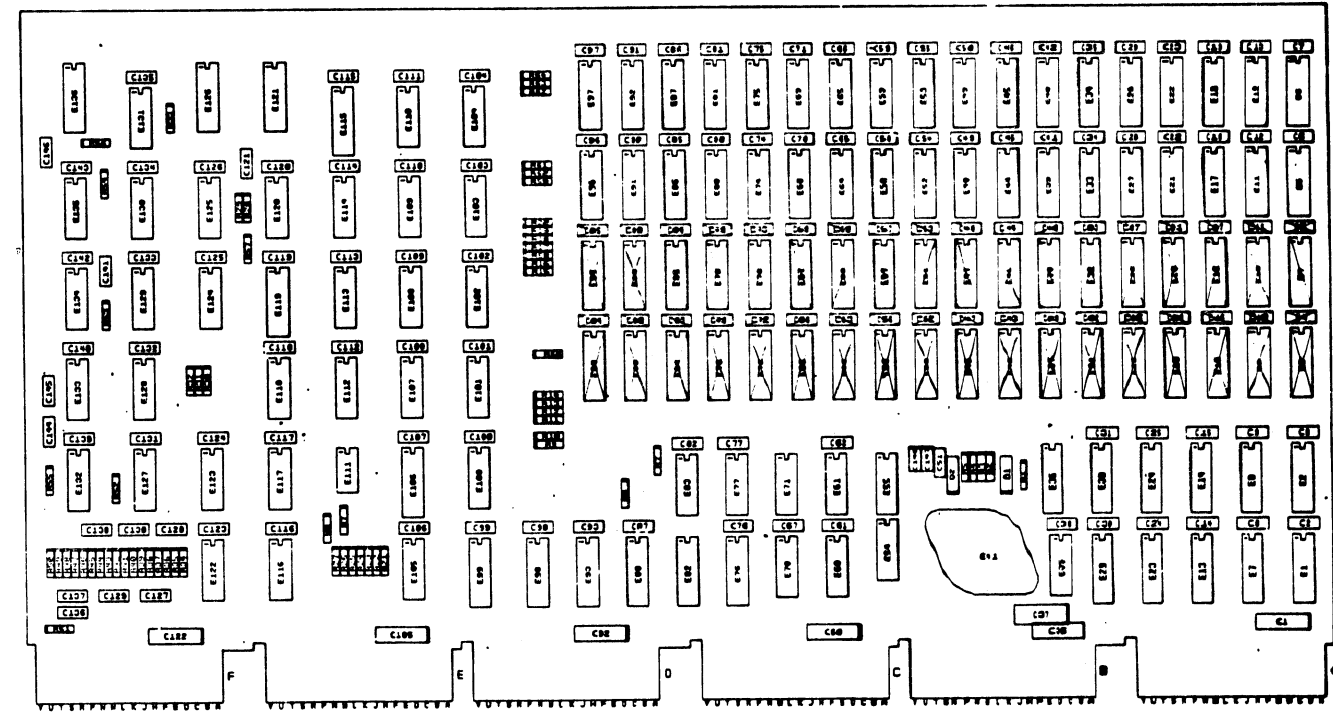
-YA; BA; CA; DA, -EA; FA; HA; JA.



-YB; BB; CB; DB, -EB; FB; JB; HB.



-YC; BC; CC; DC, -EC; FC; HC; JC.



-YD; BD; CD; DD, -ED; FD; HD; JD.

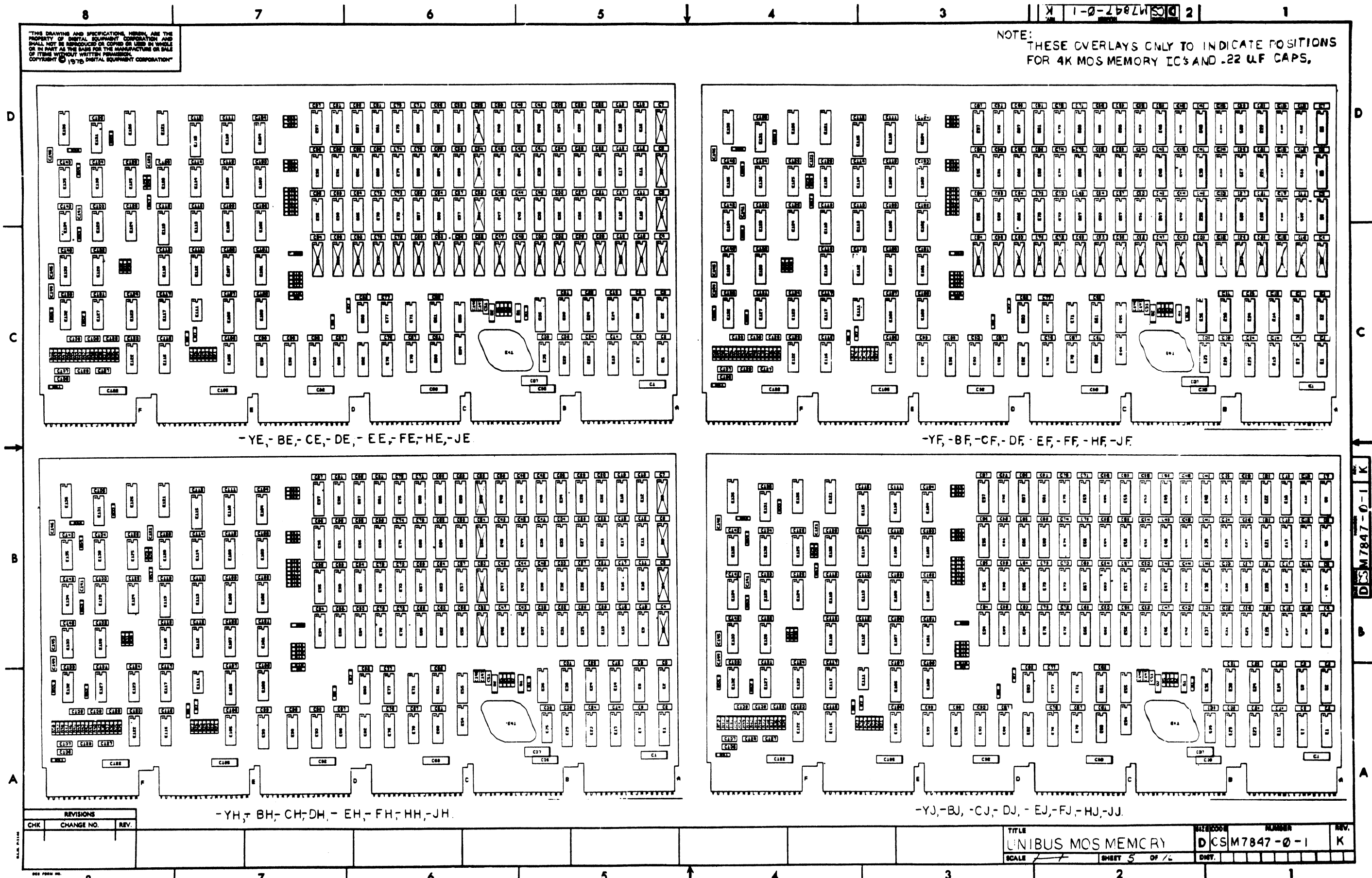
REVISIONS		
CHK	CHANGE NO.	REV.

TITLE	UNIBUS MOS MEMORY	DCSM7847-0-1	NUMBER	1	REV.	K
SCALE		SHEET 4	OF 14	DIST.		

DCSM7847-0-1 K

"THIS DRAWING AND SPECIFICATIONS HEREIN ARE THE PROPERTY OF DIGITAL EQUIPMENT CORPORATION AND SHALL NOT BE REPRODUCED OR COPIED OR USED IN WHOLE OR IN PART AS THE BASIS FOR THE MANUFACTURE OR SALE OF ITEMS WITHOUT WRITTEN PERMISSION. COPYRIGHT © 1978 DIGITAL EQUIPMENT CORPORATION"

NOTE: THESE OVERLAYS ONLY TO INDICATE POSITIONS FOR 4K MOS MEMORY IC'S AND .22 ULF CAPS.



-YE, -BE, -CE, -DE, -EE, -FE, -HE, -JE

-YF, -BF, -CF, -DF, -EF, -FF, -HF, -JF

-YH, -BH, -CH, -DH, -EH, -FH, -HH, -JH

-YJ, -BJ, -CJ, -DJ, -EJ, -FJ, -HJ, -JJ

REVISIONS		
CHK	CHANGE NO.	REV.

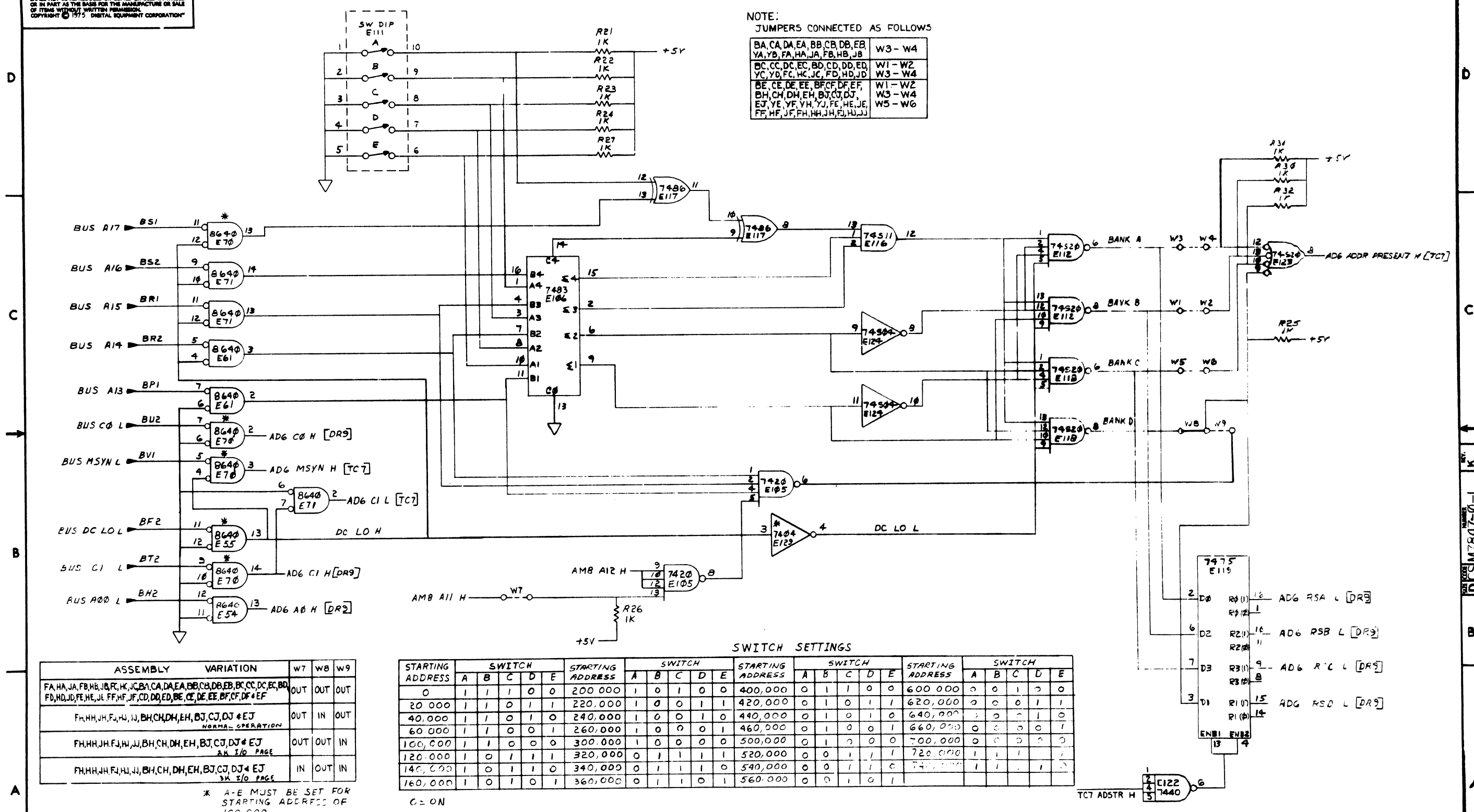
TITLE	UNIBUS MOS MEMCRY	NUMBER	DCS M7847-0-1	REV.	K
SCALE	1/8"	SHEET	5 OF 7	DWT.	

DCS M7847-0-1 K

"THIS DRAWING AND SPECIFICATIONS, HEREIN, ARE THE PROPERTY OF DIGITAL EQUIPMENT CORPORATION AND SHALL NOT BE REPRODUCED OR COPIED OR USED IN WHOLE OR IN PART AS THE BASIS FOR THE MANUFACTURE OR SALE OF ITEMS WITHOUT WRITTEN PERMISSION. COPYRIGHT © 1975 DIGITAL EQUIPMENT CORPORATION"

NOTE:
JUMPERS CONNECTED AS FOLLOWS

BA, CA, DA, EA, BB, CB, DB, EB	W3 - W4
YA, YB, FA, HA, JA, FB, HB, JB	W3 - W4
BC, CC, DC, EC, BD, CD, DD, ED	W1 - W2
YC, YD, FC, HC, JC, FD, HD, JD	W3 - W4
BE, CE, DE, EE, BF, CF, DF, EF	W1 - W2
BH, CH, DH, EH, BJ, CJ, DJ	W3 - W4
EJ, YE, YF, YH, YJ, FE, HE, JE	W5 - W6
FF, HF, JF, FH, HH, JH, FJ, HJ, JJ	



ASSEMBLY	VARIATION	W7	W8	W9
FA, HA, JA, FB, HB, JB, FC, HC, JC, BA, CA, DA, EA, BB, CB, DB, EB, BC, CC, DC, EC, BD, FD, HD, JD, FE, HE, JE, FF, HF, JF, CF, CD, DD, ED, BE, CE, DE, EE, BF, CF, DF, EF		OUT	OUT	OUT
FH, HH, JH, FJ, HJ, JH, BH, CH, DH, EH, BJ, CJ, DJ, EJ	NORMAL OPERATION	OUT	IN	OUT
FH, HH, JH, FJ, HJ, JH, BH, CH, DH, EH, BJ, CJ, DJ, EJ	AK I/O PAGE	OUT	OUT	IN
FH, HH, JH, FJ, HJ, JH, BH, CH, DH, EH, BJ, CJ, DJ, EJ	AK I/O PAGE	IN	OUT	IN

* A-E MUST BE SET FOR STARTING ADDRESS OF 100,000.

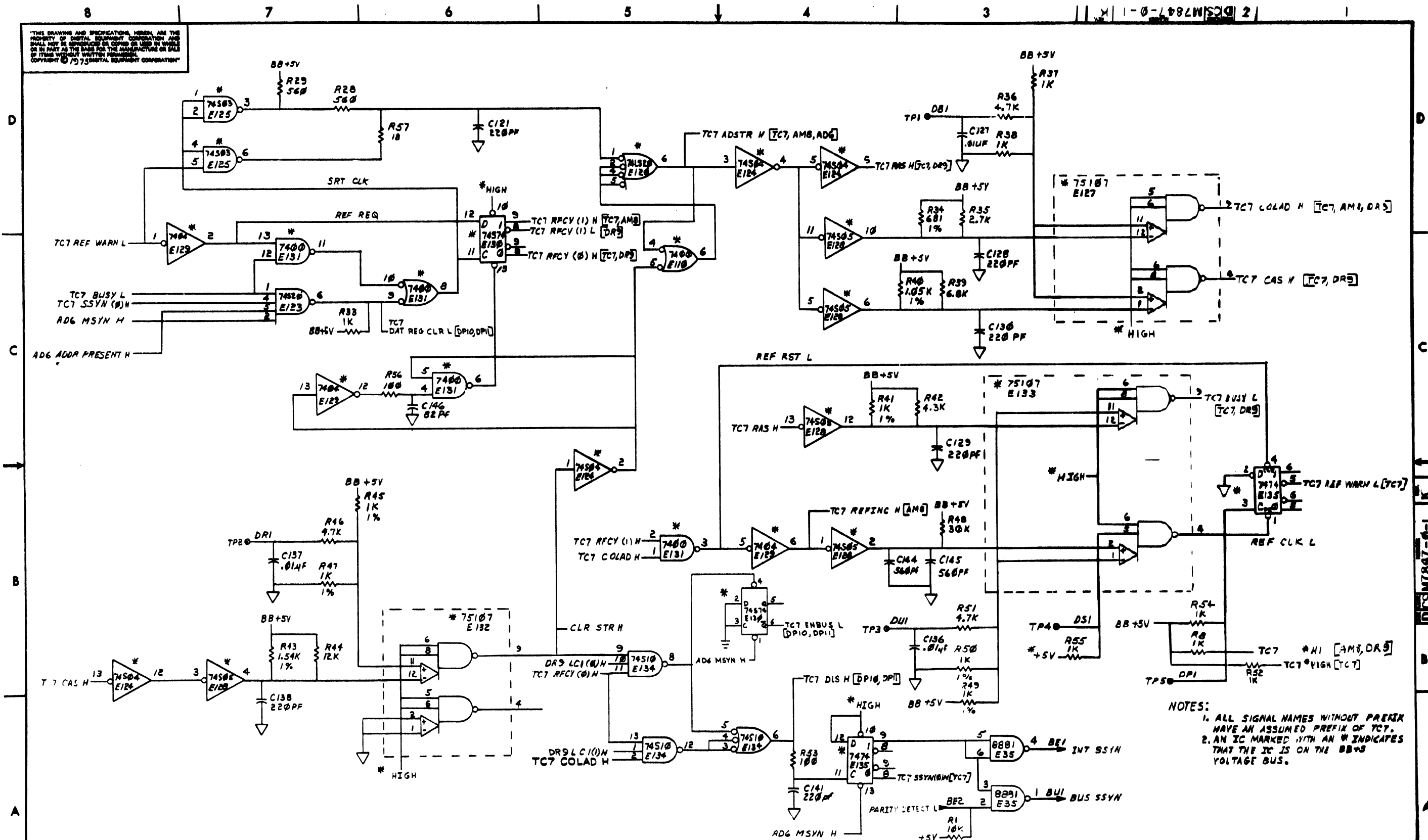
STARTING ADDRESS	SWITCH					STARTING ADDRESS	SWITCH					STARTING ADDRESS	SWITCH										
	A	B	C	D	E		A	B	C	D	E		A	B	C	D	E						
0	1	1	1	0	0	200,000	1	0	1	0	0	400,000	0	1	1	0	0	600,000	0	0	1	0	0
20,000	1	1	0	1	1	220,000	1	0	0	1	1	420,000	0	1	0	1	1	620,000	0	0	0	1	1
40,000	1	1	0	1	0	240,000	1	0	0	1	0	440,000	0	1	0	1	0	640,000	0	0	0	1	0
60,000	1	1	0	0	1	260,000	1	0	0	0	1	460,000	0	1	0	0	1	660,000	0	0	0	0	1
100,000	1	1	0	0	0	300,000	1	0	0	0	0	500,000	0	1	0	0	0	700,000	0	0	0	0	0
120,000	1	0	1	1	1	320,000	0	1	1	1	1	520,000	0	0	1	1	1	720,000	1	1	1	1	1
140,000	1	0	1	1	0	340,000	0	1	1	1	0	540,000	0	0	1	1	0	740,000	1	1	1	1	0
160,000	1	0	1	0	1	360,000	0	1	1	0	1	560,000	0	0	1	0	1	760,000	1	1	1	0	1

C = ON
I = OFF

CHK	CHANGE NO.	REV.

TITLE	UNIBUS MOS MEMORY (AD6)	SIZE CODE	DCS	NUMBER	M7847-0-1	REV.	K
SCALE	1/8	SHEET	6 OF 16	DIST.			

THIS DRAWING AND SPECIFICATIONS HEREIN ARE THE PROPERTY OF DIGITAL EQUIPMENT CORPORATION AND SHALL NOT BE REPRODUCED OR COPIED OR USED IN WHOLE OR IN PART AS THE BASIS FOR THE MANUFACTURE OR SALE OF ITEMS WITHOUT WRITTEN PERMISSION. COPYRIGHT © 1975 DIGITAL EQUIPMENT CORPORATION



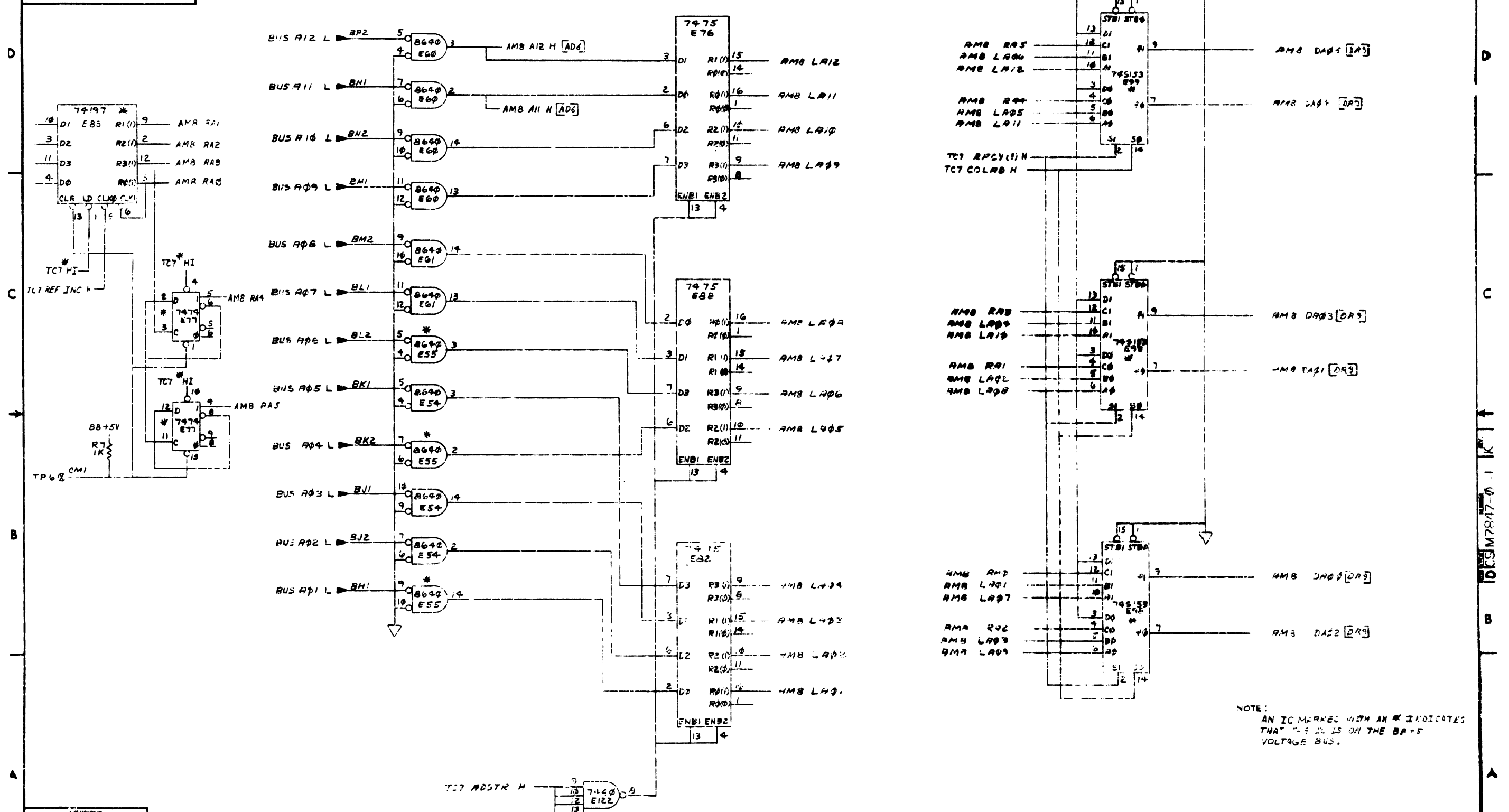
NOTES:
 1. ALL SIGNAL NAMES WITHOUT PREFIX HAVE AN ASSUMED PREFIX OF TCT.
 2. AN IC MARKED WITH AN * INDICATES THAT THE IC IS ON THE BB+5V VOLTAGE BUS.

(TIMING CHAIN)

REVISIONS		
CHK	CHANGE NO	REV.

TITLE	UNIBUS MOS (TC7) MEMORY	MEMBER	D CS M7847-0-1	REV.	K
SCALE	1:1	SHEET	7 OF 16	DATE	

THIS DRAWING AND SPECIFICATIONS HEREIN ARE THE PROPERTY OF DIGITAL EQUIPMENT CORPORATION AND SHALL NOT BE REPRODUCED OR COPIED OR USED IN WHOLE OR IN PART AS THE BASIS FOR THE MANUFACTURE OR SALE OF ITEMS WITHOUT WRITTEN PERMISSION. COPYRIGHT © 1975 DIGITAL EQUIPMENT CORPORATION

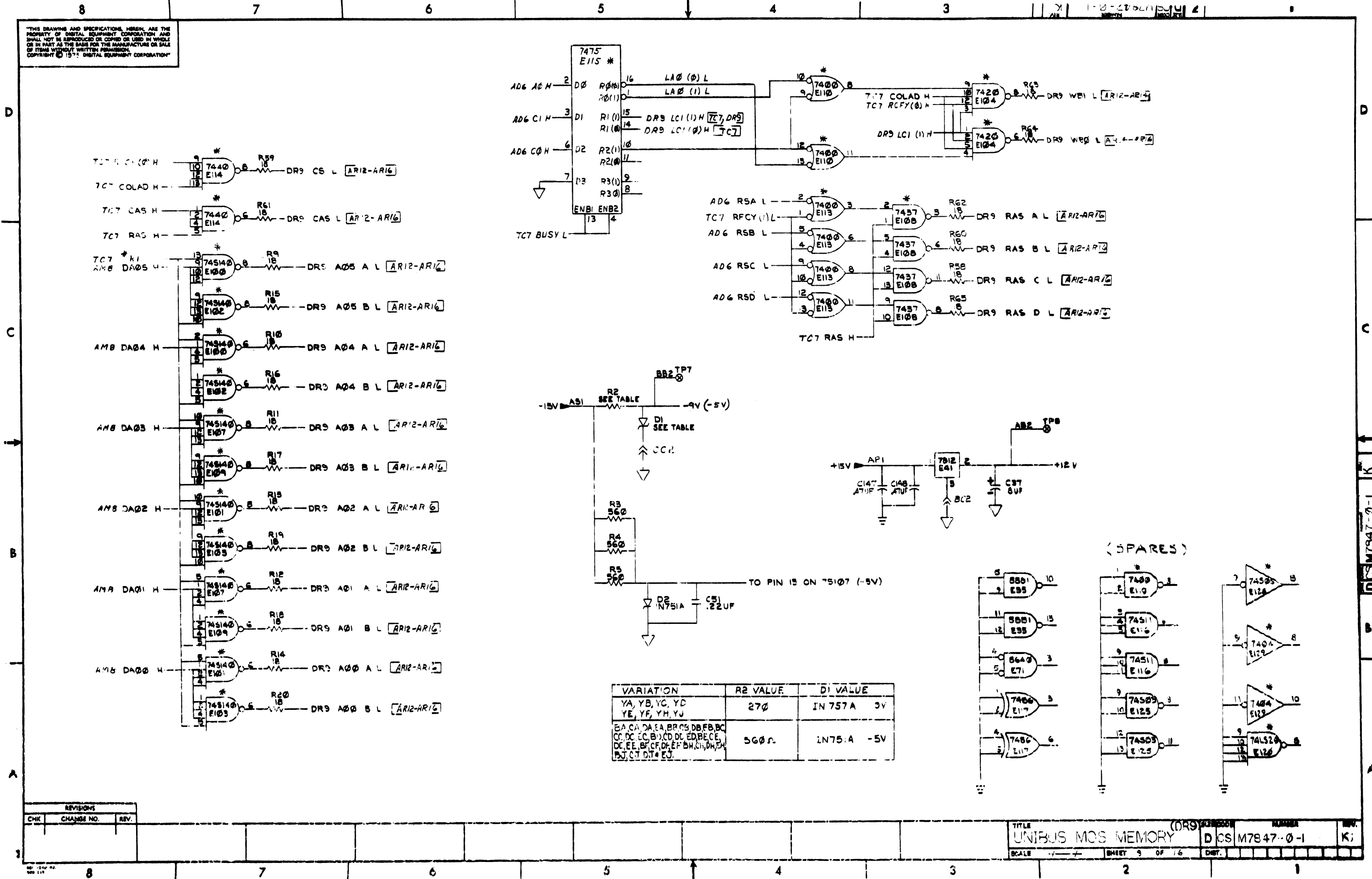


NOTE:
AN IC MARKED WITH AN * INDICATES THAT THE IC IS ON THE BR+5 VOLTAGE BUS.

REVISIONS		
CHK	CHANG. NO.	REV.

(ADDRESS MULTIPLEX)			
TITLE	(AMB)	SIZE	REVISION
UNIBUS MOS MEMORY	D CS	M7847-0-1	K
SCALE	SHEET	OF	TOTAL
—4—	8	16	

"THIS DRAWING AND SPECIFICATIONS HEREIN ARE THE PROPERTY OF DIGITAL EQUIPMENT CORPORATION AND SHALL NOT BE REPRODUCED OR COPIED OR USED IN WHOLE OR IN PART AS THE BASIS FOR THE MANUFACTURE OR SALE OF ITEMS WITHOUT WRITTEN PERMISSION. COPYRIGHT © 1974 DIGITAL EQUIPMENT CORPORATION"



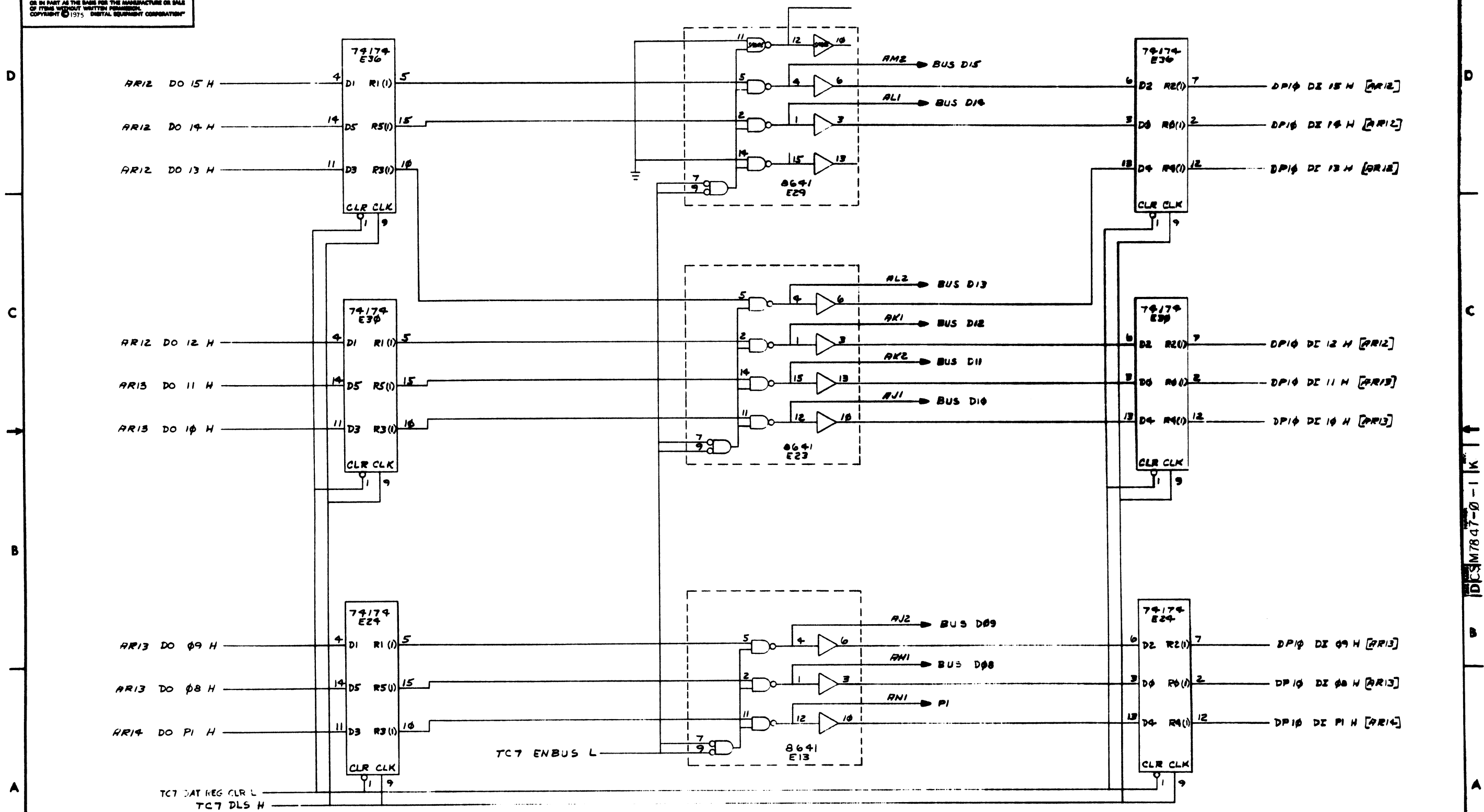
VARIATION	R2 VALUE	D1 VALUE
YA, YB, YC, YD YE, YF, YH, YJ	270	IN 757A 3V
EA, CA, DAA, BR, CS, DB, FB, BC CC, DC, EC, B, CD, DC, ED, BE, CE DE, EE, BF, CF, DF, EF, BH, CH, DH, EH BJ, CJ, DJ, EJ	560Ω	IN 757A -5V

REVISIONS		
CHK	CHANGE NO.	REV.

TITLE: UNIBUS MOS MEMORY (DR9)
 SHEET: 9 OF 16
 DCS M7847-0-1
 K

THIS DRAWING AND SPECIFICATIONS HEREIN ARE THE PROPERTY OF DIGITAL EQUIPMENT CORPORATION AND SHALL NOT BE REPRODUCED OR COPIED OR USED IN WHOLE OR IN PART AS THE BASIS FOR THE MANUFACTURE OR SALE OF ITEMS WITHOUT WRITTEN PERMISSION. COPYRIGHT © 1975 DIGITAL EQUIPMENT CORPORATION

DEC M7847-0-1 K

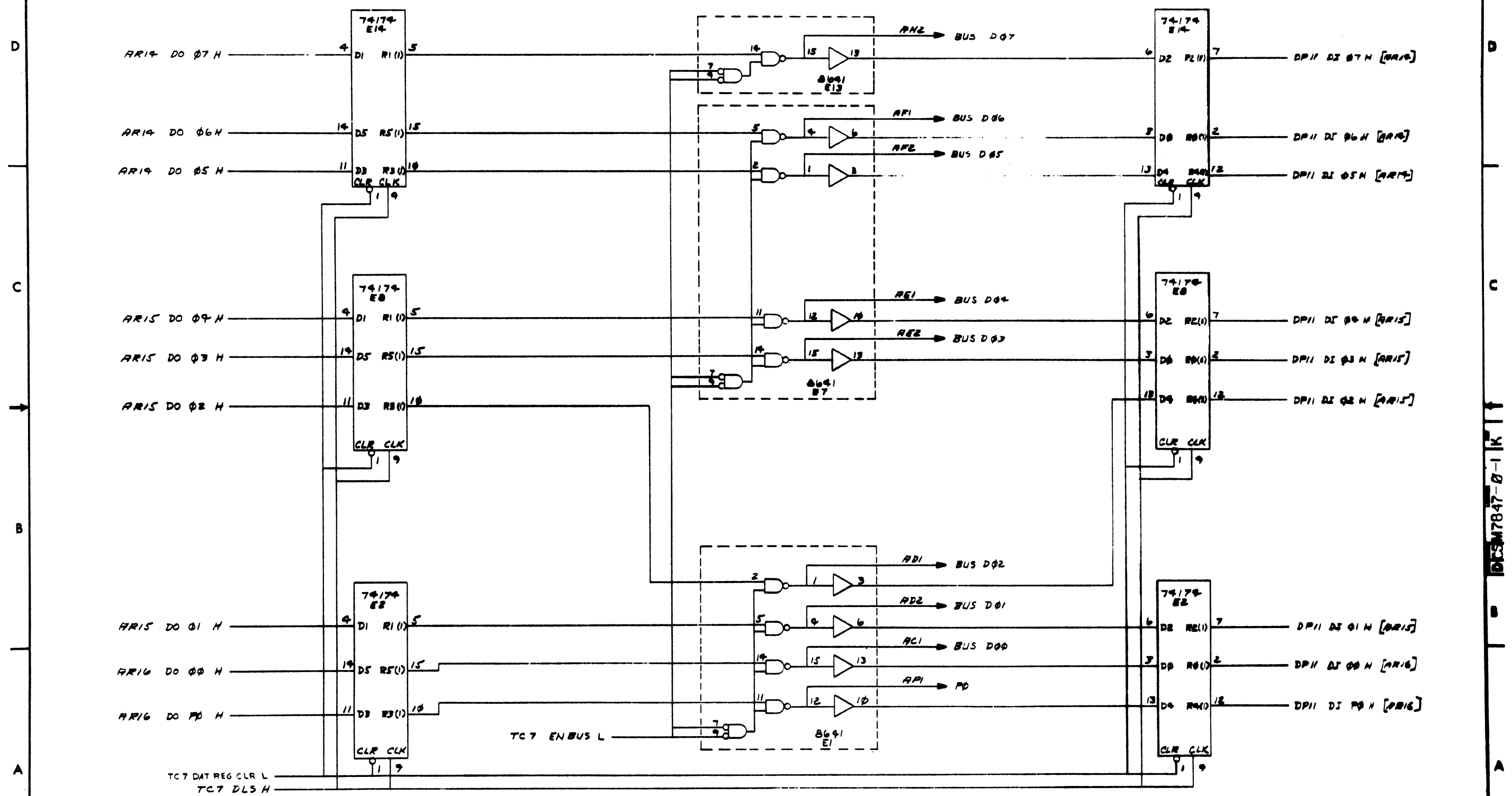


REVISIONS		
CHK	CHANGE NO.	REV.

(DATA PATH)
 TITLE UNIBUS MOS MEMORY (DPIφ)
 SCALE 1/16 SHEET 10 OF 16
 DEC M7847-0-1 K

THIS DRAWING AND SPECIFICATIONS HEREON ARE THE PROPERTY OF DIGITAL EQUIPMENT CORPORATION AND SHALL NOT BE REPRODUCED OR COPIED OR USED IN WHOLE OR IN PART AS THE BASIS FOR THE MANUFACTURE OR SALE OF ITEMS WITHOUT WRITTEN PERMISSION. COPYRIGHT © 1975 DIGITAL EQUIPMENT CORPORATION

DCSM7847-0-1 (K) 2



REVISIONS		
CHK	CHANGE NO.	REV.

(DATA PATH)

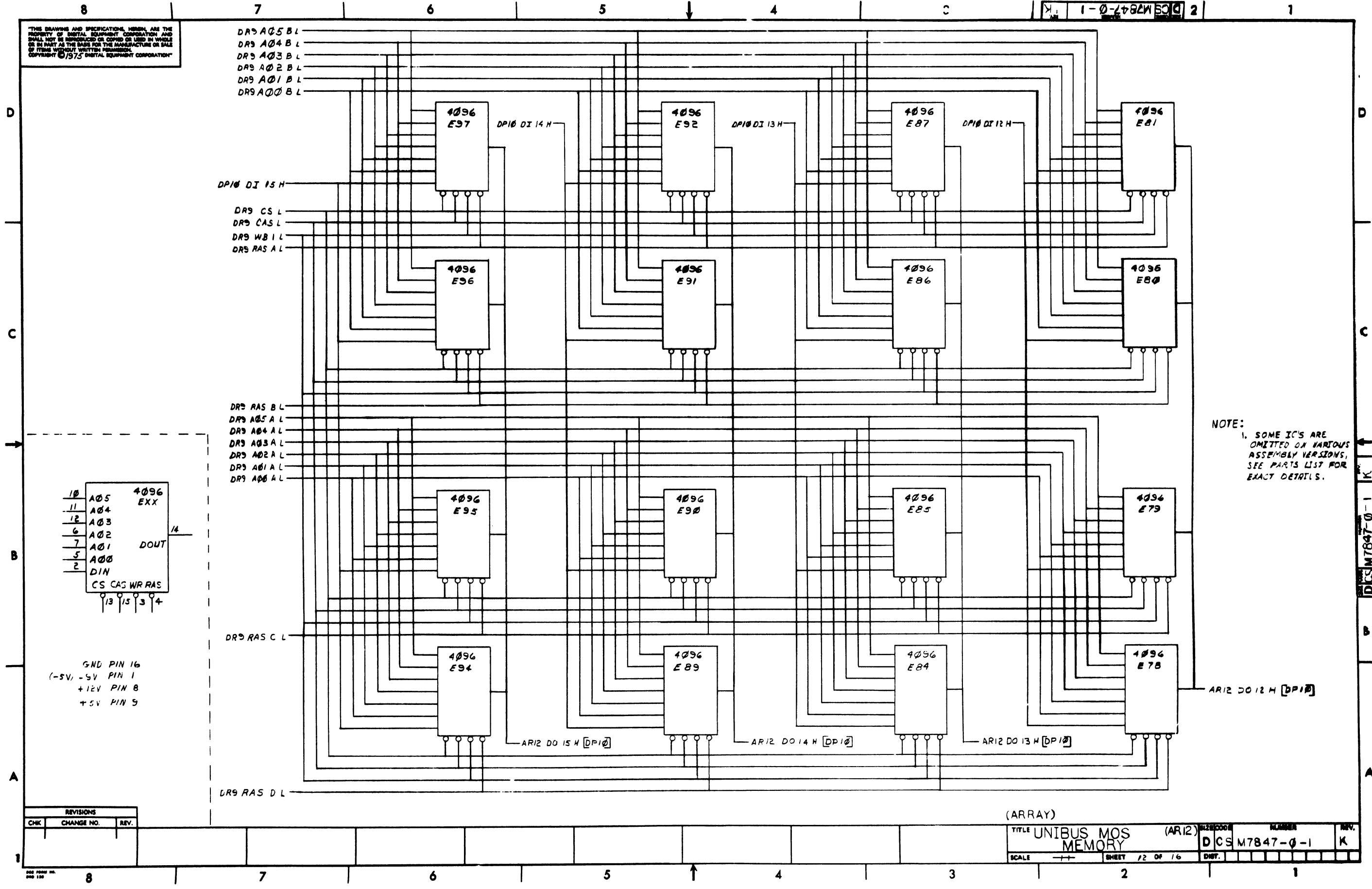
TITLE UNIBUS MOS MEMORY (DPT1)

DCSM7847-0-1 (K)

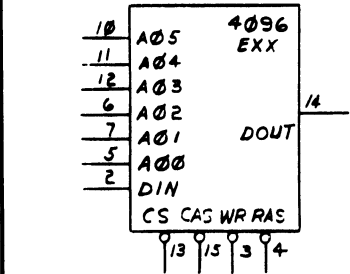
SCALE 11 SHEET 11 OF 16

DCSM7847-0-1 (K)

THIS DRAWING AND SPECIFICATIONS, HEREIN, ARE THE PROPERTY OF DIGITAL EQUIPMENT CORPORATION AND SHALL NOT BE REPRODUCED OR COPIED OR USED IN WHOLE OR IN PART AS THE BASIS FOR THE MANUFACTURE OR SALE OF ITEMS WITHOUT WRITTEN PERMISSION. COPYRIGHT © 1975 DIGITAL EQUIPMENT CORPORATION



NOTE:
1. SOME IC'S ARE OMITTED ON VARIOUS ASSEMBLY VERSIONS, SEE PARTS LIST FOR EXACT DETAILS.

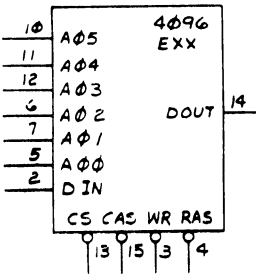
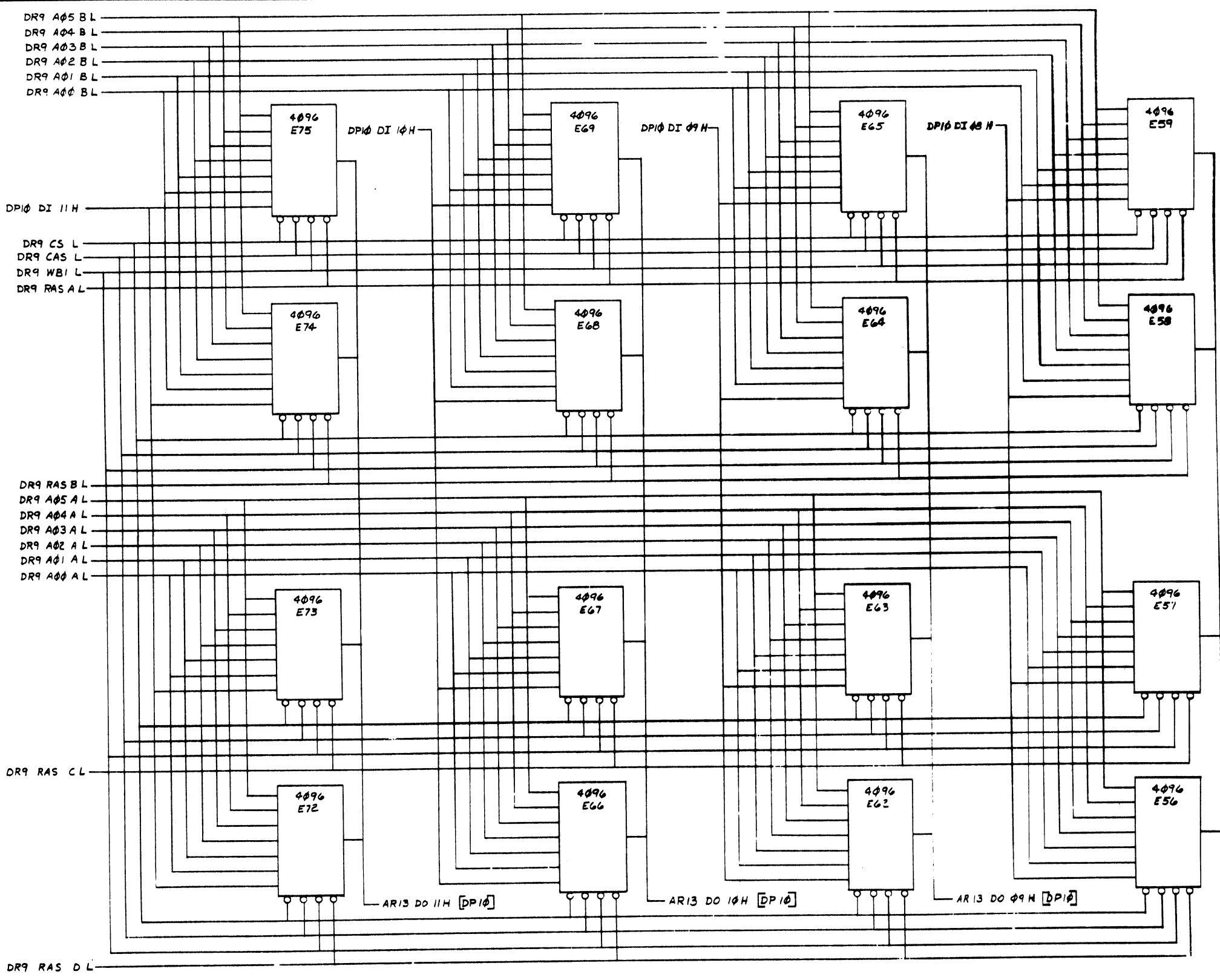


GND PIN 16
-5V PIN 1
+12V PIN 8
+5V PIN 9

REVISIONS		
CHK	CHANGE NO.	REV.

(ARRAY)		TITLE	UNIBUS MOS MEMORY (AR12)	REVISION	NUMBER	REV.
SCALE	++	SHEET	12 OF 16	DIST.	DCS M7847-0-1	K

"THIS DRAWING AND SPECIFICATIONS HEREIN ARE THE PROPERTY OF DIGITAL EQUIPMENT CORPORATION AND SHALL NOT BE REPRODUCED OR COPIED OR USED IN WHOLE OR IN PART AS THE BASIS FOR THE MANUFACTURE OR SALE OF ITEMS WITHOUT WRITTEN PERMISSION. COPYRIGHT © 1975 DIGITAL EQUIPMENT CORPORATION"



PIN 16 GND
 PIN 1 -9V (-5V)
 PIN 8 +12V
 PIN 9 +5V

NOTES:
 1. SOME IC'S ARE OMITTED ON VARIOUS ASSEMBLY VERSIONS. SEE PARTS LIST FOR EXACT DETAILS.

REVISIONS		
CHK	CHANGE NO.	REV.

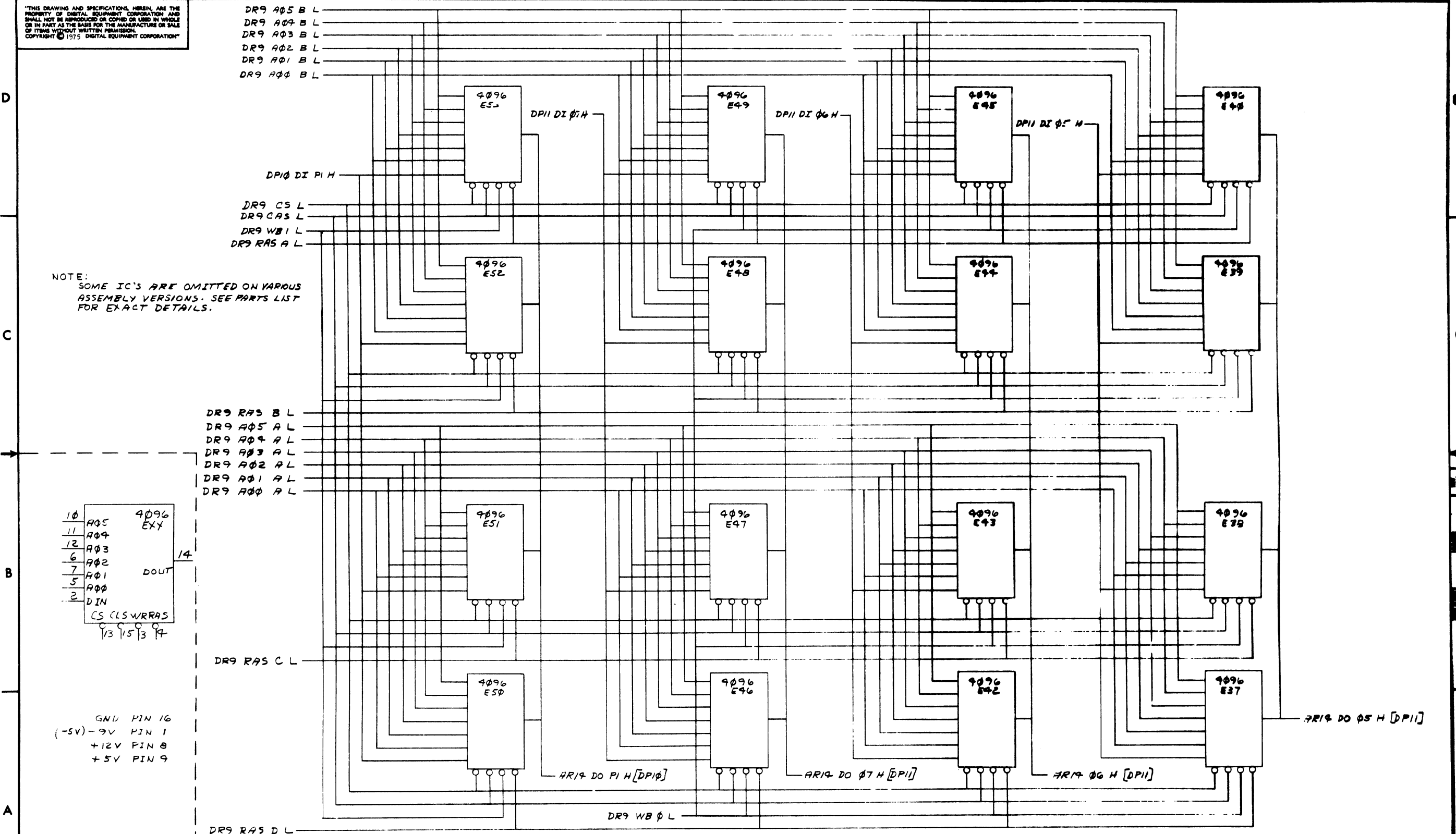
(ARRAY)

TITLE	UNIBUS MOS (AR13) MEMORY	REV.	K
SCALE	SHEET 13 OF 16	DCS M7847-0-1	

DCS M7847-0-1 K 1

8 THIS DRAWING AND SPECIFICATIONS, HEREIN, ARE THE PROPERTY OF DIGITAL EQUIPMENT CORPORATION AND SHALL NOT BE REPRODUCED OR COPIED OR USED IN WHOLE OR IN PART AS THE BASIS FOR THE MANUFACTURE OR SALE OF ITEMS WITHOUT WRITTEN PERMISSION. COPYRIGHT © 1975 DIGITAL EQUIPMENT CORPORATION

2 DCS/M7847-0-1 K



NOTE:
SOME IC'S ARE OMITTED ON VARIOUS ASSEMBLY VERSIONS. SEE PARTS LIST FOR EXACT DETAILS.

10	A05	4096
11	A04	EXY
12	A03	
6	A02	
7	A01	DOUT
5	A00	
2	DIN	
CS CLS WRRAS		
C C C C		
13 15 13 14		

GND PIN 16
(-5V) -9V PIN 1
+12V PIN 8
+5V PIN 9

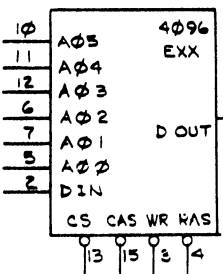
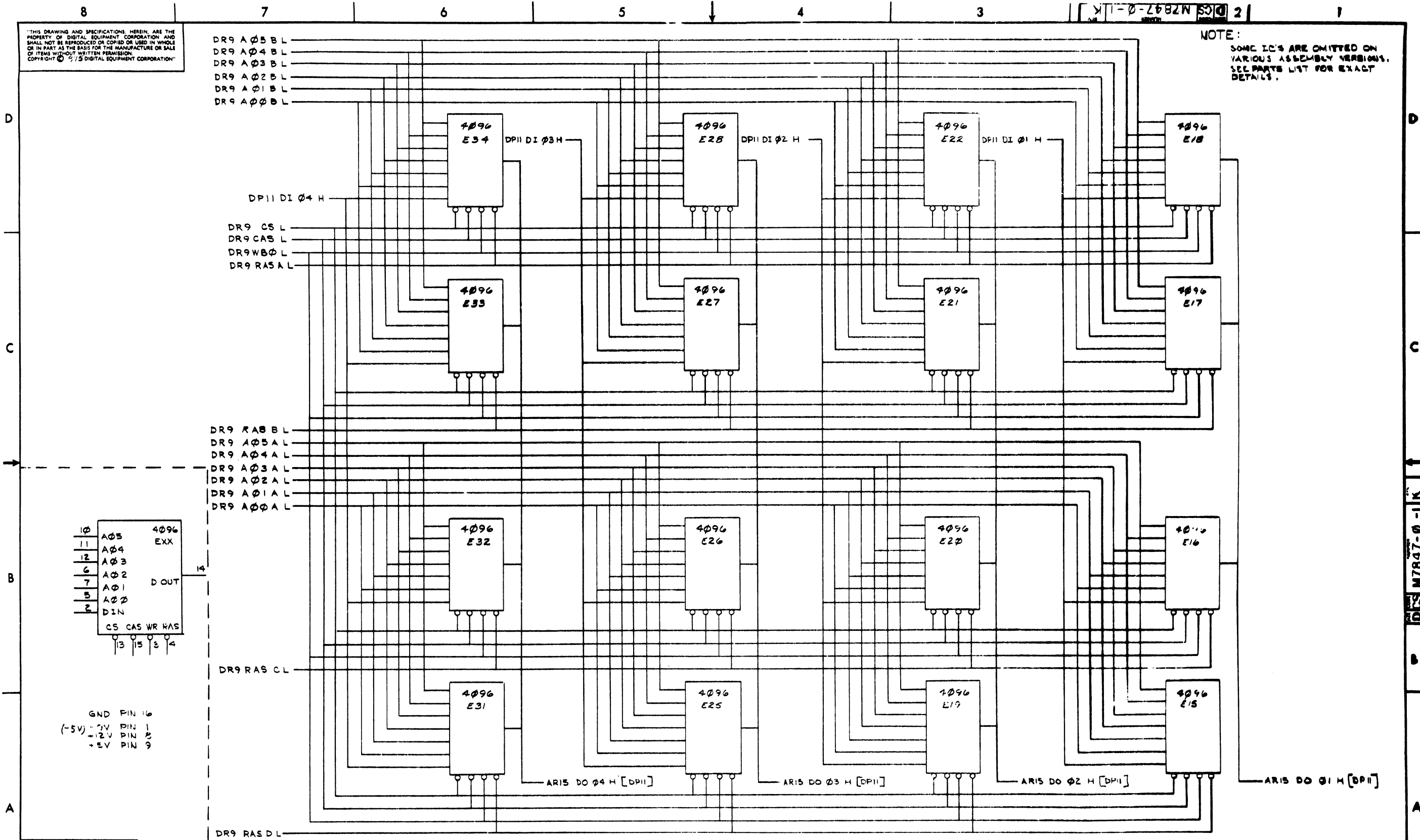
REVISIONS		
CHK	CHANGE NO.	REV.

TITLE (ARRAY)		REVISION (AR14)		NUMBER		REV.	
UNIBUS MOS MEMORY		DCS/M7847-0-1		K			
SCALE		SHEET	4	OF	16	DIST.	

DCS/M7847-0-1 K

"THIS DRAWING AND SPECIFICATIONS HEREIN ARE THE PROPERTY OF DIGITAL EQUIPMENT CORPORATION AND SHALL NOT BE REPRODUCED OR COPIED OR USED IN WHOLE OR IN PART AS THE BASIS FOR THE MANUFACTURE OR SALE OF ITEMS WITHOUT WRITTEN PERMISSION. COPYRIGHT © 1975 DIGITAL EQUIPMENT CORPORATION"

NOTE:
SOME IC'S ARE OMITTED ON VARIOUS ASSEMBLY VERSIONS. SEE PARTS LIST FOR EXACT DETAILS.



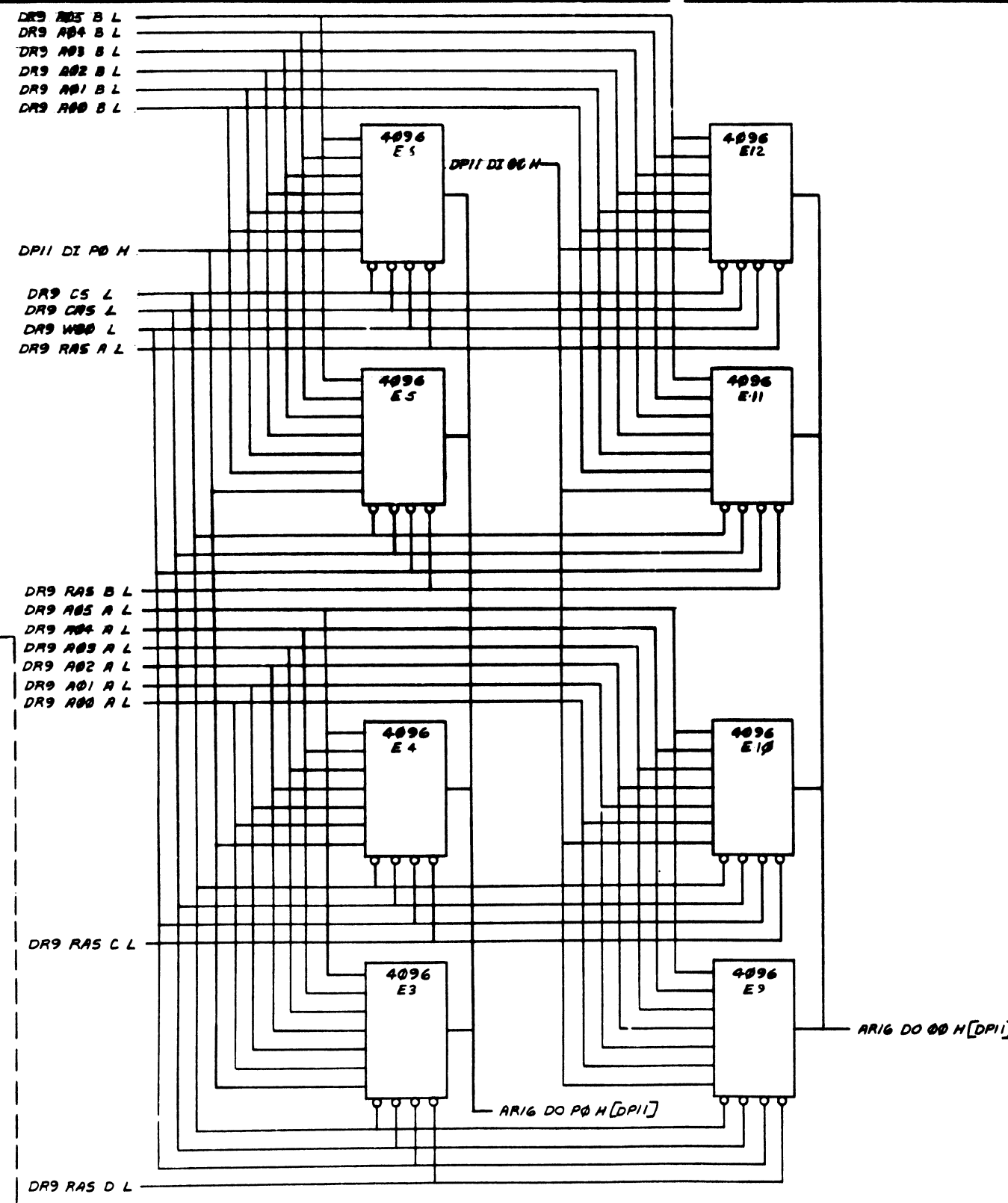
GND PIN 16
(-5V) -2V PIN 1
-2V PIN 8
+5V PIN 9

REVISIONS		
CHK	CHANGE NO	REV

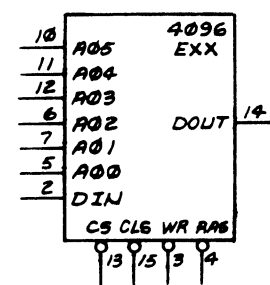
(ARRAY)		TITLE	REV	NUMBER	REV.
UNIBUS MOS MEMORY		DCS	M7847-0-1K		
SCALE	SHEET 15 OF 16	DIST.			

DCS M7847-0-1K

THIS DRAWING AND SPECIFICATIONS HEREIN ARE THE PROPERTY OF DIGITAL EQUIPMENT CORPORATION AND SHALL NOT BE REPRODUCED OR COPIED OR USED IN WHOLE OR IN PART AS THE BASIS FOR THE MANUFACTURE OR SALE OF ITEMS WITHOUT WRITTEN PERMISSION. COPYRIGHT © 1976, DIGITAL EQUIPMENT CORPORATION.



NOTE:
SOME IC'S ARE OMITTED ON VARIOUS ASSEMBLY VERSIONS. SEE PARTS LIST FOR EXACT DETAILS.



GND PIN 16
(-5V) -9V PIN 1
+12V PIN 8
+5V PIN 9

REVISIONS		
CHK	CHANGE NO.	REV.

(ARRAY)		(ARIG)		SIZE CODE	NUMBER	REV.
TITLE UNIBUS MOS MEMORY		DCS	M7847-0-1	K		
SCALE	SHEET 16 OF 16		DIST.			

M7847-0-1 K