

"THE MATERIAL HEREIN IS FOR INFORMATION PURPOSES ONLY AND IS SUBJECT TO CHANGE WITHOUT NOTICE. DIGITAL EQUIPMENT CORPORATION ASSUMES NO RESPONSIBILITY FOR ANY ERRORS WHICH MAY APPEAR HEREIN."

FIELD MAINTENANCE PRINT SET

"THIS DRAWING AND SPECIFICATIONS, HEREIN, ARE THE PROPERTY OF DIGITAL EQUIPMENT CORPORATION AND SHALL NOT BE REPRODUCED OR COPIED OR USED IN WHOLE OR IN PART AS THE BASIS FOR THE MANUFACTURE OR SALE OF ITEMS WITHOUT WRITTEN PERMISSION. COPYRIGHT ©1977, DIGITAL EQUIPMENT CORPORATION."

TABLE OF CONTENTS

B-TC-LPV11-P-1	LINE PRINTER SYSTEM LPV11-P (TC)
D-UA-LPV11-P-0	LINE PRINTER SYSTEM LPV11-P
A-PL-LPV11-P-0	LINE PRINTER SYSTEM LPV11-P (PL)
D-UA-M8027-0-0	PRINTER INTERFACE
B-PL-M8027-0-0	PRINTER INTERFACE (PL)
D-CS-M8027-0-1	PRINTER INTERFACE (CS)
D-IA-BC11S-0-0	CABLE, PRINTER
B-DD-LA180-0	DEC PRINTER (COMPLETE SET)
A-PL-LPV11-P	SHIPPING LIST LPV11-P

UNIT VARIATIONS COVERED BY THIS PRINT SET
LPV11-PA
LPV11-PB
LPV11-PC
LPV11-PD

LPV11-P
Field Maintenance
Print Set

Digital Equipment
Corporation

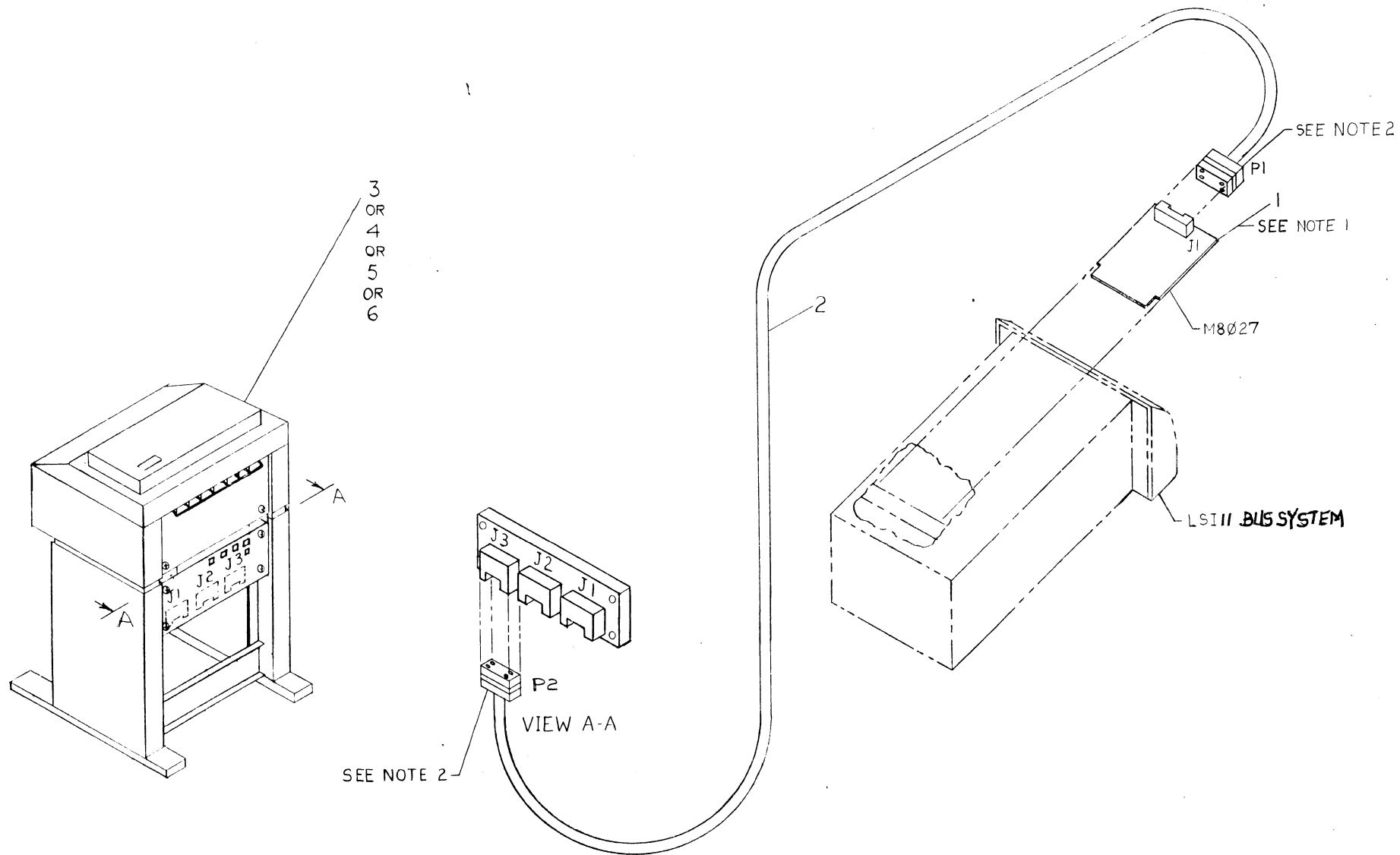
PRINT SET ORDER NO.
MP00466

REVISIONS CHG. NO. REV. DATE		USED ON OPTION/MODEL	DRN.	DATE	digital TITLE: LINE PRINTER SYSTEM LPV11-P SIZE B CODE TC NUMBER LPV11-P-1 REV. DIST.
		11/03	R. HOLZER	19AUG77	
			CHK'D	DATE	
			D. HEALY	22AUG77	
	PROJ. ENG.	DATE			
	R. HOLZER	30AUG77			
	FIELD SERV.	DATE			
		SHEET 1 OF 1			

THIS DRAWING AND SPECIFICATIONS, HEREIN, ARE THE PROPERTY OF DIGITAL EQUIPMENT CORPORATION AND SHALL NOT BE REPRODUCED OR COPIED OR USED IN WHOLE OR IN PART AS THE BASIS FOR THE MANUFACTURE OR SALE OF ITEMS WITHOUT WRITTEN PERMISSION. DIGITAL EQUIPMENT CORPORATION ©

NOTES:

1. ONLY LPVII MODULE SHOWN FOR CLARITY. SEE DEC HANDBOOK FOR MODULE PLACEMENT. (CONFIGURATION GUIDE LINES).
2. WHEN PLUG IS INSERTED THE "THIS SIDE UP" LABEL SHOULD BE VISIBLE.



FOR PARTS LIST ITEM NO'S SEE A-PL-LPVII-P-0

DESCRIPTION	DWG. PART NO.	ITEM NO.
UNLESS OTHERWISE SPECIFIED DIMENSIONS ARE IN INCHES		
ANGLES ±0° 30'	CLASS OF ACCURACY	NOMINAL DIMENSION RANGE INCHES
SURFACE QUALITY IN	(CHECK ONE)	OVER 12.0 TO 40.0 12.0 TO 25.0 25.0 TO 40.0 40.0 TO 80.0
QUANTITY & VARIATION	MEDIUM	1.004 1.008 1.012 1.016 1.020 1.024 1.028 1.032
	PREFERRED	1.012 1.016 1.020 1.024 1.028 1.032

THIRD ANGLE PROJECTION	DRN. <i>R. M. ...</i> 8/24/77	FIRST USED ON	11/03	digital
REMOVE BURRS AND BREAK SHARP CORNERS	CHK'D. <i>D. ...</i> 8/24/77	ENG. <i>R. ...</i> 8/24/77	PROJ. ENG. <i>R. ...</i> 8/24/77	PROD. <i>M. ...</i> 11/87
DO NOT SCALE DWG	NEXT HIGHER ASSY.	TITLE LINE PRINTER SYSTEM (LPVII-P)		
MATERIAL SEE PARTS LIST	B-DD-LPVII-P	SCALE NONE	SIZ. CODE D	NUMBER LPVII-P-0
FINISH 11	SHEET 1 OF 1	DIST.		

REVISIONS	REV.
CHANGE NO.	
CHK	

DIGITAL EQUIPMENT CORPORATION
 MAYNARD, MASSACHUSETTS
PARTS LIST

MADE BY R. HOLZER DATE 19 AUG 77 ENG R. H. J. DATE 30 SEP 77			CHECKED D. HEALY DATE 22 AUG 77 PROD [Signature] DATE 11/2/77			SECTION 1 ISSUED SECT. 1		QUANTITY VARIATION										
								LPV11-PA	LPV11-PB	LPV11-PC	LPV11-PD							
ITEM NO.	DWG NO./PART NO.	DESCRIPTION																
1	D-UA-M8Ø27-Ø-Ø	PRINTER INTERFACE	1	1	1	1												
2	D-IA-BC11Ø-25-Ø	CABLE, PRINTER	1	1	1	1												
3	E-UA-LA18Ø-PA-Ø	LA18Ø UNIT ASSY (115V,60HZ)	1	-	-	-												
4	E-UA-LA18Ø-PB-Ø	LA18Ø UNIT ASSY (230V,60HZ)	-	1	-	-												
5	E-UA-LA18Ø-PC-Ø	LA18Ø UNIT ASSY (115V,50HZ)	-	-	1	-												
6	E-UA-LA18Ø-PD-Ø	LA18Ø UNIT ASSY (230V,50HZ)	-	-	-	1												
TITLE LINE PRINTER SYSTEM LPV11-P (96 CHAR.)			ASSY NO. E-UA-LPV11-P-Ø		SIZE A	CODE PL	NUMBER LPV11-P-Ø				REV	ECO NO.						
			SHEET 1 OF 1		DIST													

8

7

6

5

4

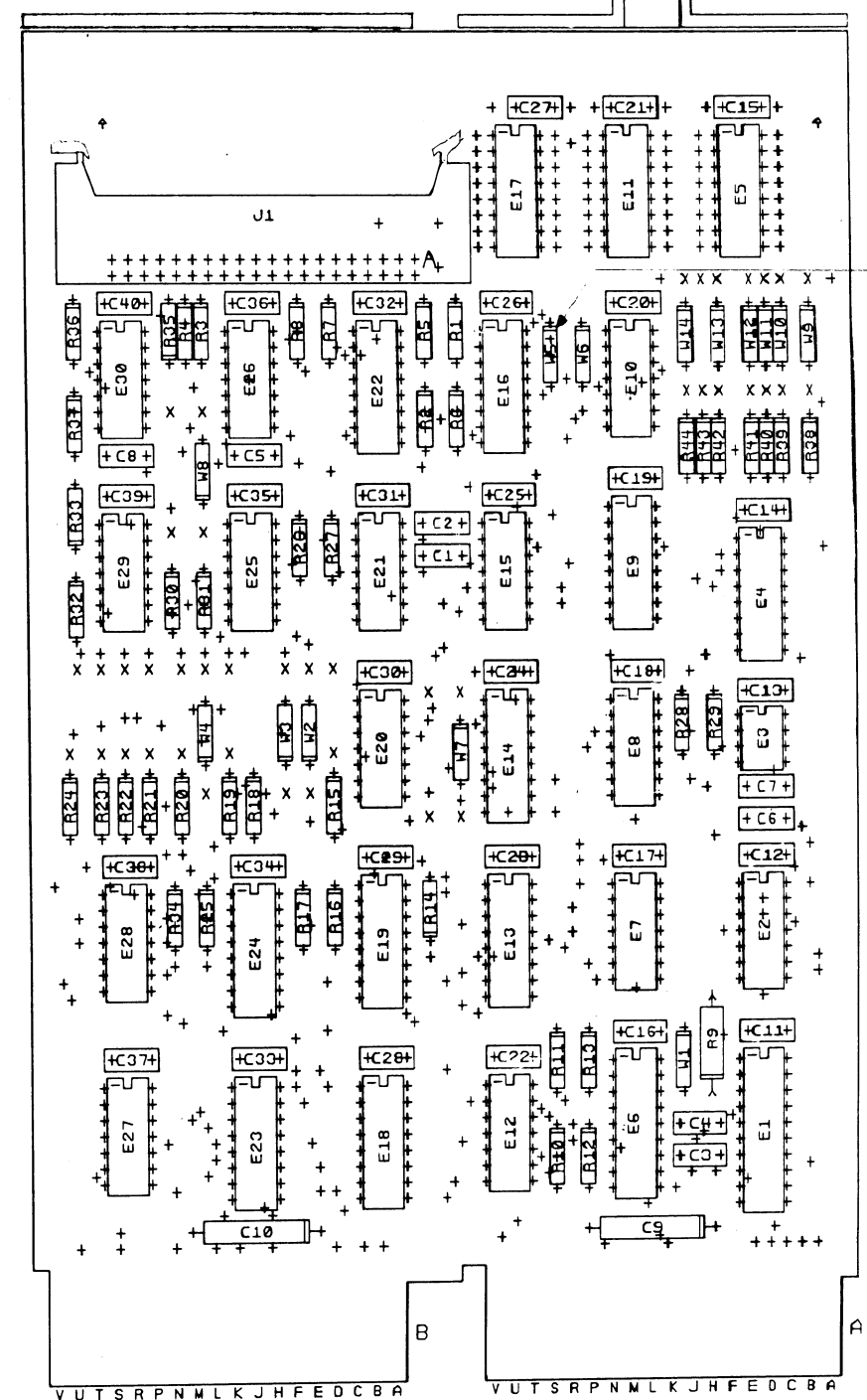
3

2 1

THIS DRAWING AND SPECIFICATIONS, WHETHER AND THE PROPERTY OF DIGITAL EQUIPMENT CORPORATION AND SHALL NOT BE REPRODUCED OR COPIED IN WHOLE OR IN PART OR THE PARTS HEREOF THE SUBSTANCE OR IN ANY FORM WITHOUT WRITTEN PERMISSION. DIGITAL EQUIPMENT CORPORATION COPYRIGHT © 1977

2 1 0-0-1208 UJA M8027-0-0

COMPONENT SIDE VIEW



NOTES: 0-1, NOT INSERTED

CHK	CHANGE	NO	REV

ETCH REV. B
P.C. DESIGN DATA BASE REV. B

SIGNATURES		DATE	digital
DRN. J. F. ...		7/14/77	
CHK'D. ...		7/14/77	TITLE PRINTER INTERFACE
ENG. ...		7/14/77	
PROJ. ENG. ...		7/14/77	
PROD. ...		7/14/77	
SCALE			SIZE CODE
SHT. 1 OF 3			D UJA
NEXT HIGHER ASSY. B DD M8027-0			NUMBER M8027 0-0
			REV A

1 MS# 1 8004

8

7

6

5

4

3

2

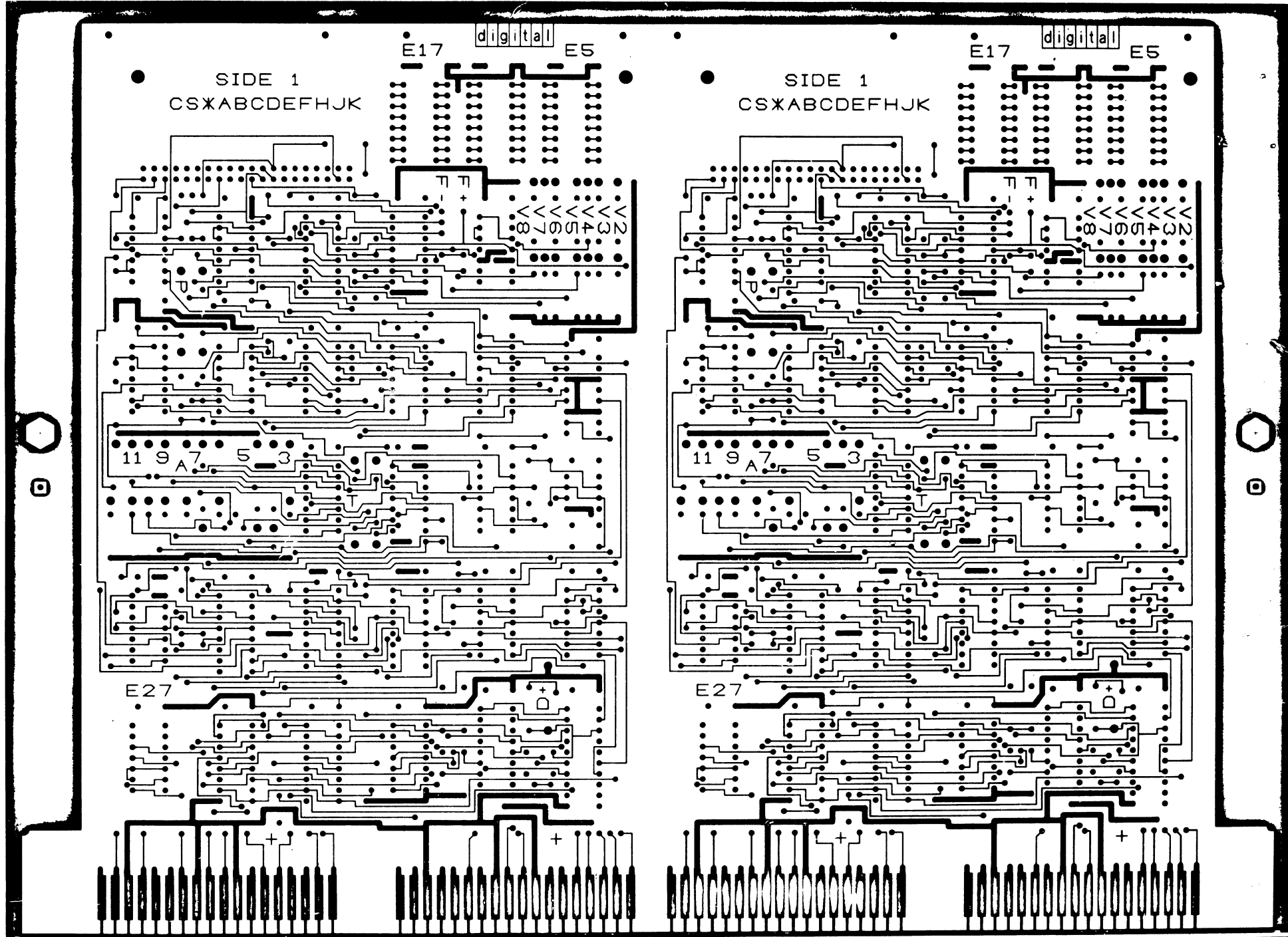
1 MS# 1 8004

"THIS DRAWING AND SPECIFICATIONS HEREIN ARE THE PROPERTY OF DIGITAL EQUIPMENT CORPORATION AND SHALL NOT BE REPRODUCED OR COPIED OR USED IN WHOLE OR IN PART FOR THE MANUFACTURE OR SALE OF ITEMS WITHOUT WRITTEN PERMISSION. COPYRIGHT © DIGITAL EQUIPMENT CORPORATION"

5013000B

5013000B

2
DIA M8027-0-0



REVISIONS		
CHK	CHANGE NO	REV

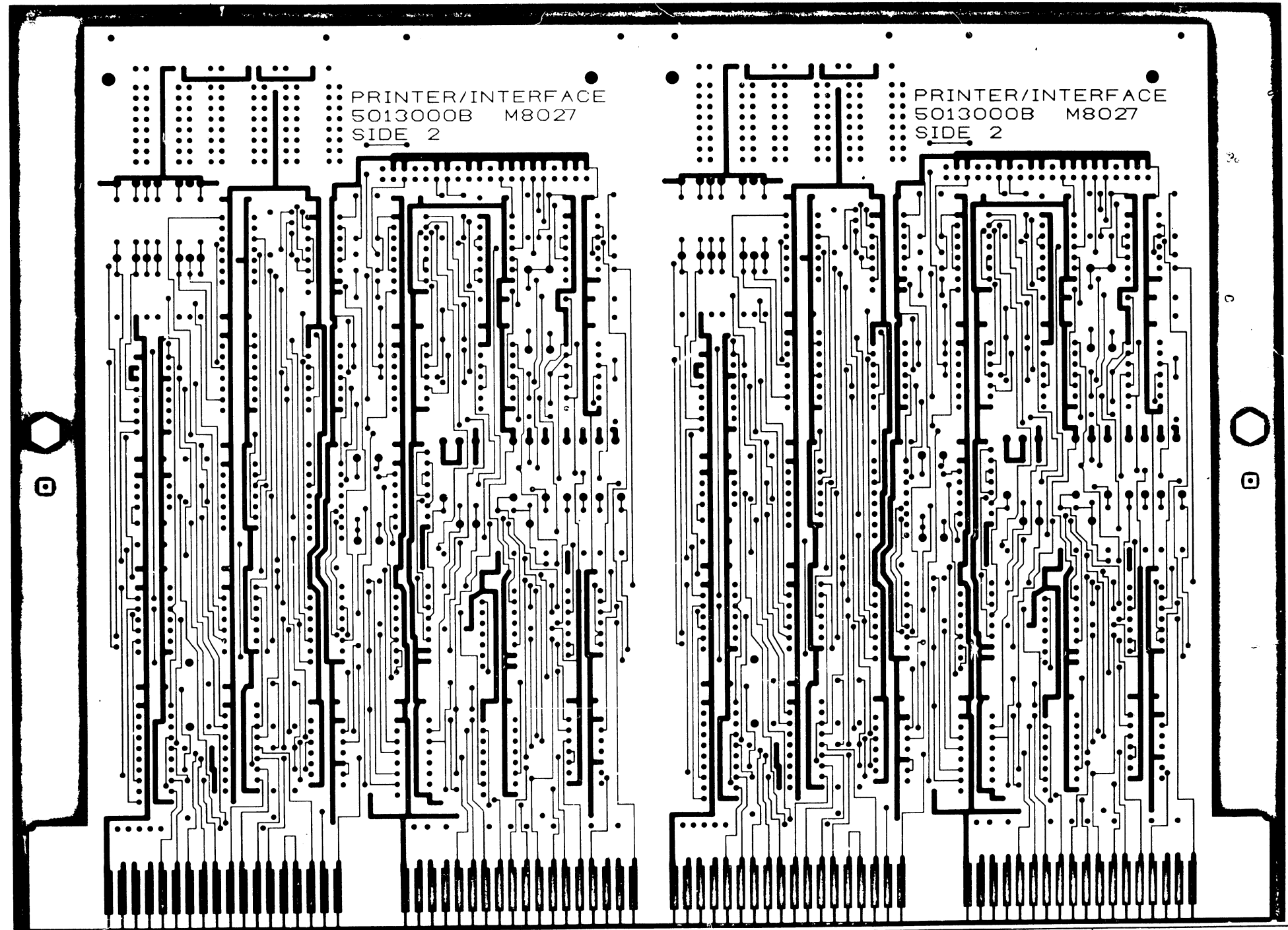
TITLE	SIZE CODE	NUMBER	REV.
PRINTER INTERFACE	DIA	M8027-0-0	A
SCALE 2-1	SHEET 2 OF 3	DIST.	

8 7 6 5 4 3 2 1

D C B A

R 7 6 5 4 3 2 1

"THIS DRAWING AND SPECIFICATIONS HEREIN ARE THE PROPERTY OF DIGITAL EQUIPMENT CORPORATION AND SHALL NOT BE REPRODUCED OR COPIED OR USED IN WHOLE OR IN PART AS THE BASIS FOR THE MANUFACTURE OR SALE OF ITEMS WITHOUT WRITTEN PERMISSION. COPYRIGHT © DIGITAL EQUIPMENT CORPORATION"



REVISIONS		
CHK	CHANGE NO.	REV.

TITLE	PRINTER INTERFACE	SIZE CODE	D1JA	NUMBER	M8027-0-0	REV.	A
SCALE	2-1	SHEET	3	OF	3	DIST.	

DIGITAL EQUIPMENT CORPORATION PARTS LIST

QUANTITY / VARIATION

NOTES:

W/O 119004
ETCH B
CS A

MADE BY DATE	PAUL TELLIER 16 MAY 77	CHECKED <i>T. D. Drake</i> DATE <i>7/19/77</i>	SECTION
ENG DATE	<i>FW</i> 19 July 77	PROD DATE <i>7/19/77</i>	ISSUED SECTION

ITEM NO.	DRAWING NO.	PART NO.	DESCRIPTION	M8027-0-0	REF DESIGNATION
1	D-MD-5013000-0-0	5013000	ETCHED CIRCUIT BOARD	1	
2		10-05306-00	CAPACITOR, 6.8 μ F, 35V, 10%	2	C9, C10
3		10-00024-00	CAPACITOR, 470pF, 100V, 5%	1	C6
4		10-01610-01	CAPACITOR, .01 μ F, 100V, 20%	33	C2, C7, C1, C11-C40
5		10-00023-00	CAPACITOR, 330pF, 100V, 5%	1	C8
6		10-00020-00	CAPACITOR, 180pF, 100V 5%	1	C3
7		10-00019-00	CAPACITOR, 150pF, 100V, 5%	2	C4, C5
8		13-09595-00	RESISTOR, 1M, 1/4W, 5%	2	R28, R29
9		13-00365-00	RESISTOR, 1K, 1/4W, 5%	25	R7, R8, R14-R26, R30, R34, R35, R38-R44
10		13-09314-01	RESISTOR, 4.02K, 1/2W, 1%	1	R9
11		13-00295-00	RESISTOR, 330, 1/4W, 5%	6	R10, R12, R37, R1, R2, R32
12		13-01424-00	RESISTOR, 680, 1/4W, 5%	3	R11, R13, R33
13		13-00417-00	RESISTOR, 2.2K, 1/4W, 5%	2	R27, R31
14		13-00250-00	RESISTOR, 150, 1/4W, 5%	5	R3-R5, R36
15		19-09054-00	I.C. DEC 7493	1	E10
16		19-12388-00	I.C. DEC 74S02	1	E20
17		19-09705-00	I.C. DEC 8881	3	E28, E26, E30
18		19-11579-00	I.C. DEC 8641	3	E18, E23, E16
19		19-10655-00	I.C. DEC 74157	3	E4, E9, E22
20		19-11324-00	I.C. DEC 7414	1	E21
21		19-09686-00	I.C. DEC 7404	1	E7

E.C.O. NO.			
------------	--	--	--

"THIS DRAWING AND SPECIFICATIONS, HEREIN, ARE THE PROPERTY OF DIGITAL EQUIPMENT CORPORATION AND SHALL NOT BE REPRODUCED OR COPIED OR USED IN WHOLE OR IN PART AS THE BASIS FOR THE MANUFACTURE OR SALE OF ITEMS WITHOUT WRITTEN PERMISSION. COPYRIGHT ©1977 DIGITAL EQUIPMENT CORPORATION"	TITLE PRINTER INTERFACE	ASSY NO. D-UA-M8027-0-0 SHEET 1 OF 2	SIZE CODE B PL	NUMBER M8027-0-0 INSERTION PARTS LIST DATA BASE REV	REV. A
--	-----------------------------------	--	--------------------------	---	-----------

DIGITAL EQUIPMENT CORPORATION PARTS LIST

MADE BY DATE	PAUL TELLIER 16 MAY 77	CHECKED <i>Tom Duke</i> DATE <i>7/1/77</i>	SECTION
ENG DATE	<i>PA</i> 19 July 77	PROD DATE <i>11/11/77</i>	ISSUED SECTION

ITEM NO.	DRAWING NO.	PART NO.	DESCRIPTION
22		19-05547-00	I.C. DEC 7474
23		19-12806-00	I.C. DEC 74LS09
24		19-05575-00	I.C. DEC 7400
25		19-12730-00	I.C. DEC DC003
26		19-09004-00	I.C. DEC 7402
27		19-12729-00	I.C. DEC DC004
28		19-11469-00	I.C. DEC 8640
29		19-10651-00	I.C. DEC 74175
30		19-12395-00	I.C. DEC 8136
31		19-11944-00	I.C. DEC 555
32			I.C. SPARES
33			
34			
35		12-09941-02	CONNECTOR, 40 PIN BERG
36		12-09941-03	CONNECTOR, LEFT LATCH
37		12-09941-04	CONNECTOR, RIGHT LATCH
38		90-09781-00	MODULE SPACER
39		90-09149-01	WIRE WRAP POST
40		90-08337-06	HANDLE (FLIP CHIP)
41		90-06732-00	EYELET (HANDLE)
42		90-09185-00	JUMPER, INSULATED

QUANTITY / VARIATION									
QTY	UNIT	DESCRIPTION	QTY	UNIT	DESCRIPTION	QTY	UNIT	DESCRIPTION	QTY
2									
1									
1									
1									
1									
1									
2									
2									
2									
1									
3									
1									
1									
1									
1									
42									
1									
4									
13									

NOTES:

W/O 119004
ETCH B
S A

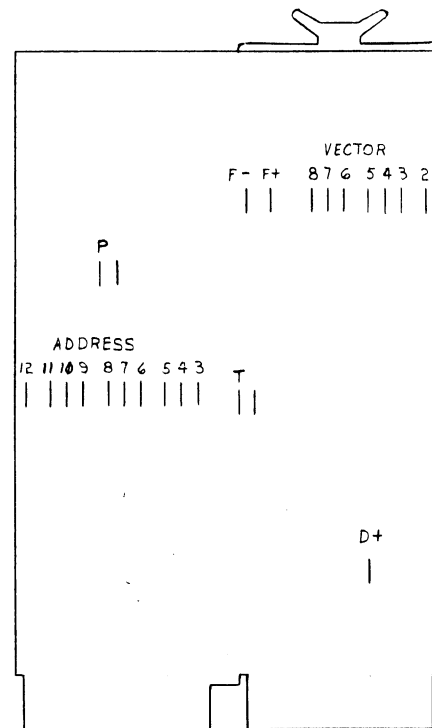
NOTE: IF 90-09149-01 IS NOT AVAILABLE
USE 90-09149-00

REF DESIGNATION
E15, E29
E25
E8
E6
E2
E1
E12, E27
E14, E13
E19, E24
E3
E5, E11, E17
J1

"THIS DRAWING AND SPECIFICATIONS, HEREIN, ARE THE PROPERTY OF DIGITAL EQUIPMENT CORPORATION AND SHALL NOT BE REPRODUCED OR COPIED OR USED IN WHOLE OR IN PART AS THE BASIS FOR THE MANUFACTURE OR SALE OF ITEMS WITHOUT WRITTEN PERMISSION. COPYRIGHT © 1977 DIGITAL EQUIPMENT CORPORATION"	TITLE PRINTER INTERFACE	ASSY NO. D-UA-M8027-0-0 SHEET 2 OF 2	SIZE B CODE PL	NUMBER M8027-0-0 INSERTION PARTS LIST DATA BASE REV	REV. A
---	-----------------------------------	--	---------------------------------------	---	-----------

THIS DRAWING AND SPECIFICATIONS HEREIN ARE THE PROPERTY OF DIGITAL EQUIPMENT CORPORATION AND SHALL REMAIN THE PROPERTY OF THE MANUFACTURER OR SALE OF ITEMS WITHOUT WRITTEN PERMISSION.
 COPYRIGHT © 1977, DIGITAL EQUIPMENT CORPORATION

CROSS REFERENCE DRAWING
 (SEE NOTE 3)



- NOTES:
1. TERMINATING RESISTORS MUST BE PRESENT ON THE CONNECTOR BOARD WITHIN THE LP05.
 2. IN THE EVENT THAT THE LP05 IS EQUIPPED WITH DAVFU, IT IS RECOMMENDED THAT THE PAPER INSTRUCTION (DATA B) JUMPER WB BE REMOVED, SINCE THE LPVII DOES NOT SUPPORT THIS OPTION.
 3. SEE UA DRAWING M8027-0-0 FOR W DESIGNATIONS OF JUMPERS.

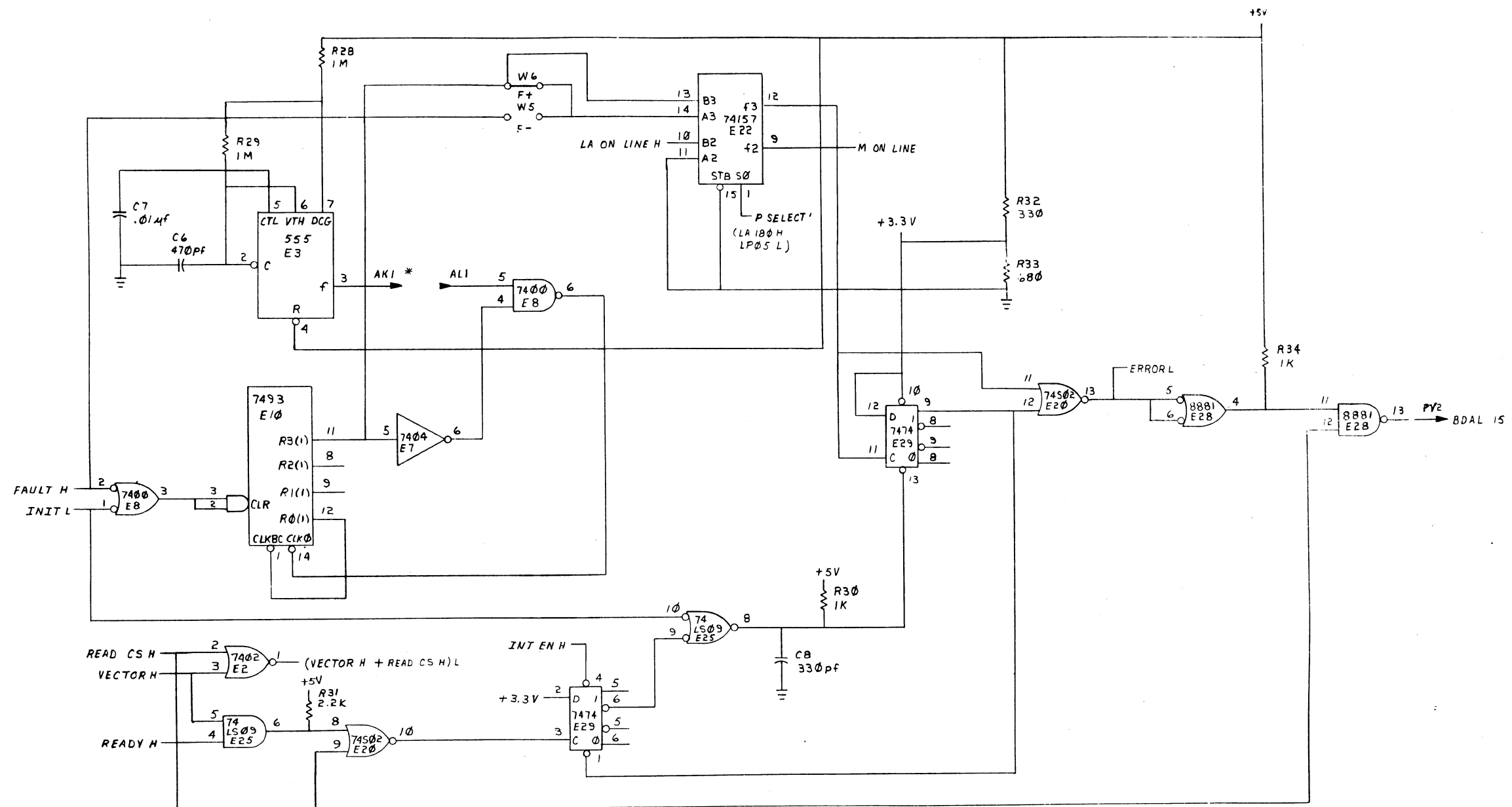
JUMPER TABLE		
FUNCTION	DESIGNATION	
ADDRESS SELECTION	A12-A3	DESIGNATIONS CORRESPOND TO THE BIT POSITION IN THE ADDRESS. HARD WIRE JUMPERS W2, W3 AND W4 BRIDGE A4, A5 AND A7 RESPECTIVELY, AND SPECIFY THE STANDARD ADDRESS OF: 177514 C5 JUMPER IN = 0 177516 D8 JUMPER OUT = 1
VECTOR SELECTION	V3-V2	DESIGNATIONS CORRESPOND TO THE BIT POSITION IN THE VECTOR. ALL VECTOR JUMPERS W9-W14 ARE INSERTED WITH THE EXCEPTION OF V7, TO SPECIFY THE STANDARD VECTOR OF 200. JUMPER IN = 0 JUMPER OUT = 1
CHARACTER TRANSLATION	W7	WHEN W7 IS INSERTED DATA FLOWS THROUGH LPVII WITHOUT TRANSLATION. [STANDARD CONFIGURATION]
	T	WHEN T IS INSERTED DATA IS MODIFIED BY THE LPVII: LOWER CASE CHARACTERS ARE TRANSLATED TO UPPER CASE. INSERT W7 OR T, DO NOT INSERT BOTH SIMULTANEOUSLY.
PARITY	WB	WHEN WB IS INSERTED, P DATA B (LP05 PAPER INSTRUCTION) WILL BE TRANSMITTED DIRECTLY [STANDARD CONFIGURATION]
	P	WHEN P IS INSERTED, P DATA B WILL BE HELD HIGH IF BOTH WB AND P ARE REMOVED P DATA B WILL BE HELD LOW (USED WITH LP05 IF DAVFU IS PRESENT.) BOTH WB AND P MUST NEVER BE INSERTED SIMULTANEOUSLY.
FAULT FILTER	F+	WHEN F+ (W6) IS INSERTED, NOISE IS FILTERED ON LP05 FAULT LINE. [STANDARD CONFIGURATION]
	F-	WHEN F- (W5) IS INSERTED, NOISE IS NOT FILTERED ON LP05 FAULT LINE. INSERT F+ OR F-, DO NOT INSERT BOTH SIMULTANEOUSLY.
DELAY	D	THIS JUMPER (W1) MUST BE INSERTED [STANDARD CONFIGURATION]. REMOVAL CAUSES BRPLY DELAY TO CHANGE, RESERVED FOR FUTURE USE

NOTE: 1. ALL DESIGNATIONS WHICH HAVE A W PREFIX ARE NOT LABELLED IN ETCH, ALL OTHERS ARE LABELLED IN ETCH (ADDRESS DESIGNATIONS SHOW ALTERNATELY, DUE TO A LACK OF SPACE).

REVISIONS
 CHANGE NO. REV.

DRN: <i>Silva</i>	7-20-77	FIRST USED ON	digital
CHK'D:		TITLE	LPVII PRINTER INTERFACE
ENG. <i>By</i>	2/20/77	NUMBER	M8027-0-1
PROJ. ENG. <i>By</i>	10/24/77	REV.	A
PROD. <i>By</i>	2/20/77	SCALE	++
NEXT HIGHER ASSY.		SHEET	1 OF 5
		DIST.	

THIS DRAWING AND SPECIFICATIONS HEREIN ARE THE PROPERTY OF DIGITAL EQUIPMENT CORPORATION AND SHALL NOT BE REPRODUCED OR COPIED OR USED IN WHOLE OR IN PART AS THE BASIS FOR THE MANUFACTURE OR SALE OF ITEMS WITHOUT WRITTEN PERMISSION.
 COPYRIGHT © 1977, DIGITAL EQUIPMENT CORPORATION



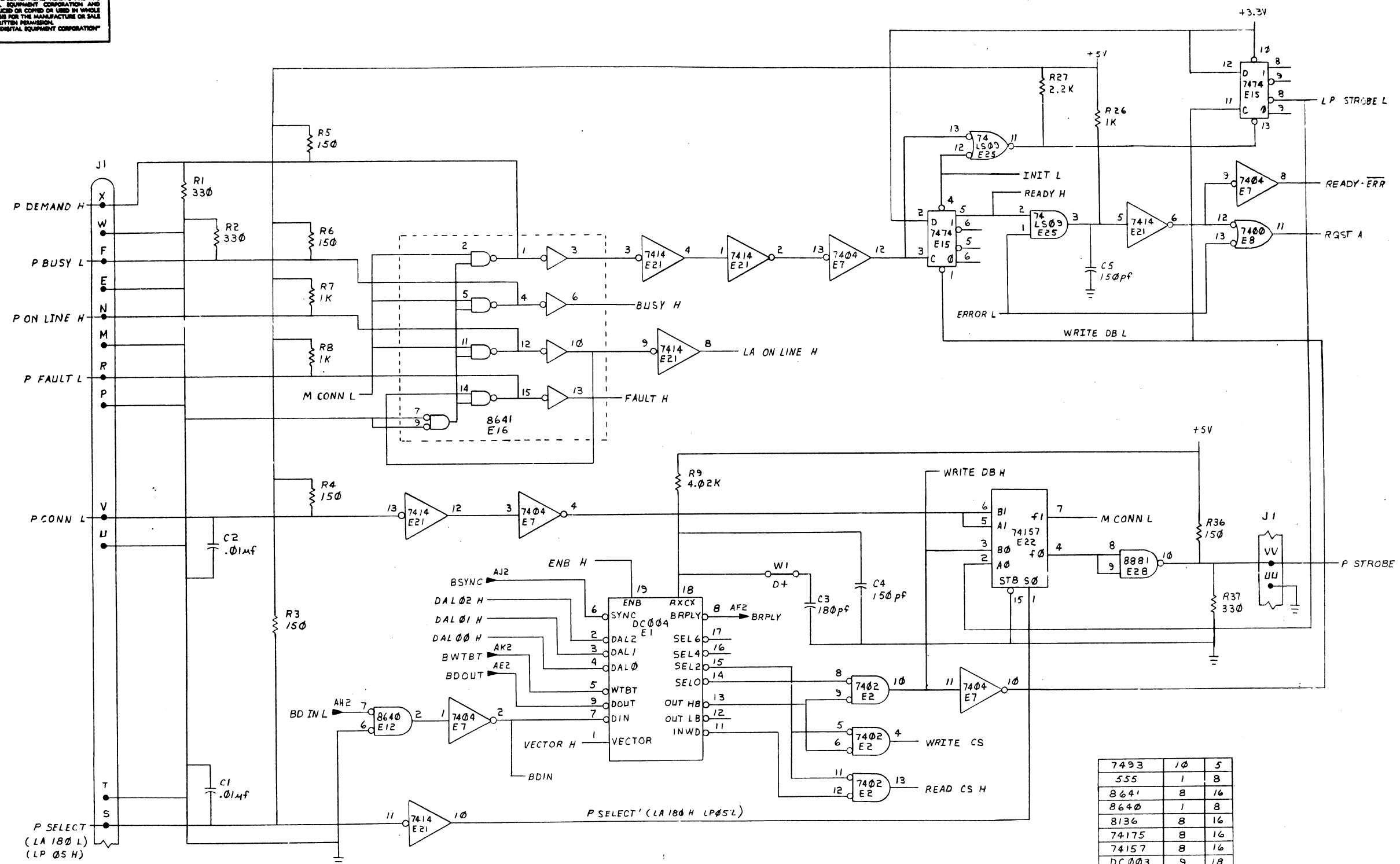
NOTE: * PINS AKI & ALI ARE JUMPED THROUGH THE BACKPLANE.

REV.	
CHG	
CHK	

DRN. Silva	6-17-77	FIRST USED ON	
CHK'D Rb	20 Jun 77	TITLE	LPV-11 PRINTER INTERFACE
ENG. Rb	20 Jun 77	SIZE	D CS
PROJ. ENG. Rb	20 Jun 77	NUMBER	M8027-0-1
PROD. [Signature]		REV.	A
NEXT HIGH CLASS.		SCALE	1:1
		SHEET	3 OF 5

8 7 6 5 4 3 2 1

"THIS DRAWING AND SPECIFICATIONS HEREIN ARE THE PROPERTY OF DIGITAL EQUIPMENT CORPORATION AND SHALL NOT BE REPRODUCED OR COPIED OR USED IN WHOLE OR IN PART AS THE BASIS FOR THE MANUFACTURE OR SALE OF ITEMS WITHOUT WRITTEN PERMISSION. COPYRIGHT © 1977 DIGITAL EQUIPMENT CORPORATION"

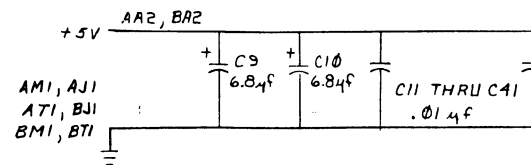
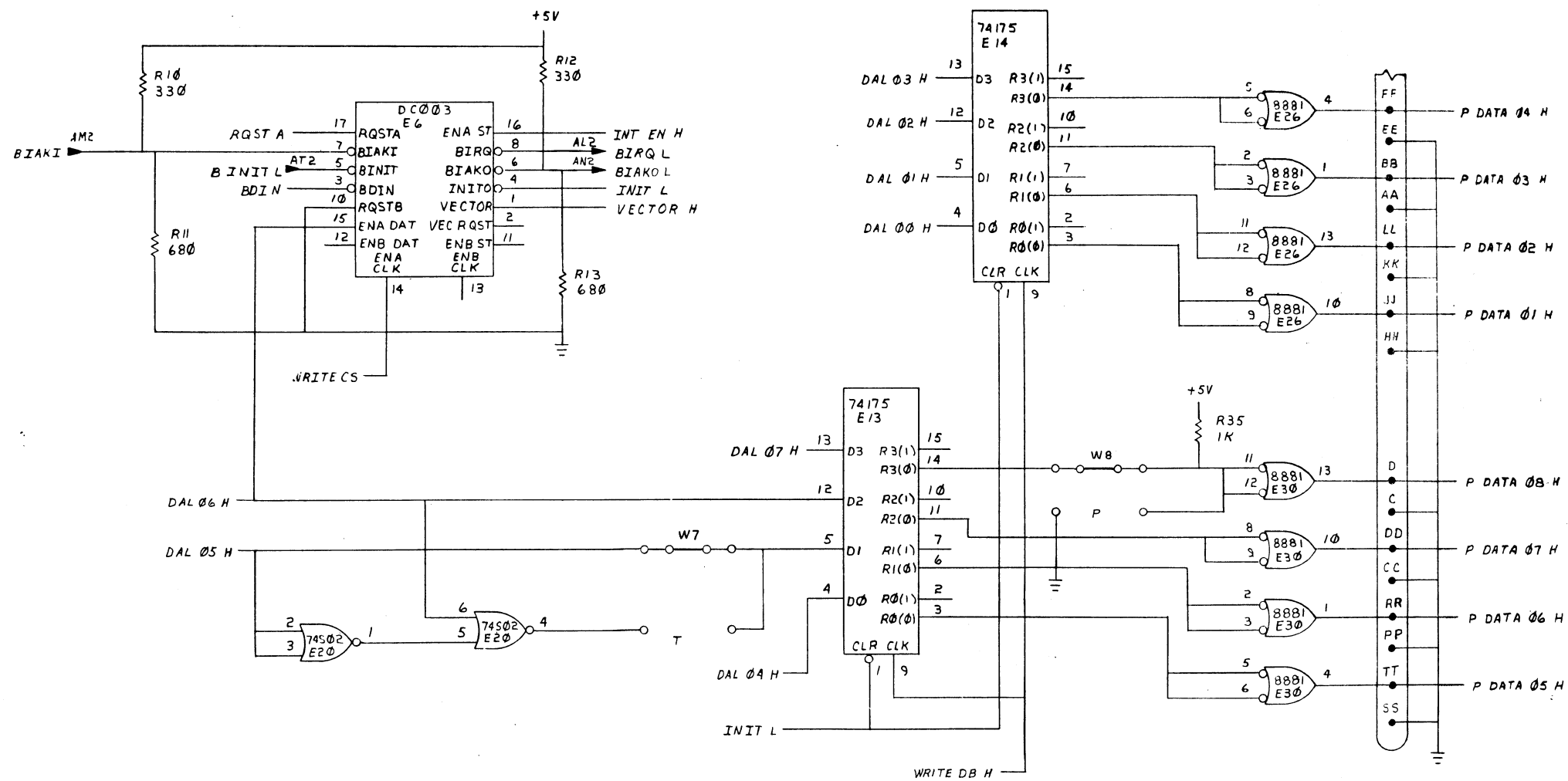


7493	10	5
555	1	8
8641	8	16
8640	1	8
8136	8	16
74175	8	16
74157	8	16
DC003	9	18
DC004	10	20
IC TYPE	GND	+5

REVISIONS		
CHK	CHANGE NO.	REV.

TITLE	LPV-11 PRINTER INTERFACE	SIZE CODE	D CS	NUMBER	M8027-0-1	REV.	A
SCALE	1:1	SHEET	3 OF 5	DIST.			

THIS DRAWING AND SPECIFICATIONS HEREAFTER ARE THE PROPERTY OF DIGITAL EQUIPMENT CORPORATION AND SHALL NOT BE REPRODUCED OR COPIED OR USED IN WHOLE OR IN PART AS THE BASIS FOR THE MANUFACTURE OR SALE OF ITEMS WITHOUT WRITTEN PERMISSION. COPYRIGHT © 1977 DIGITAL EQUIPMENT CORPORATION

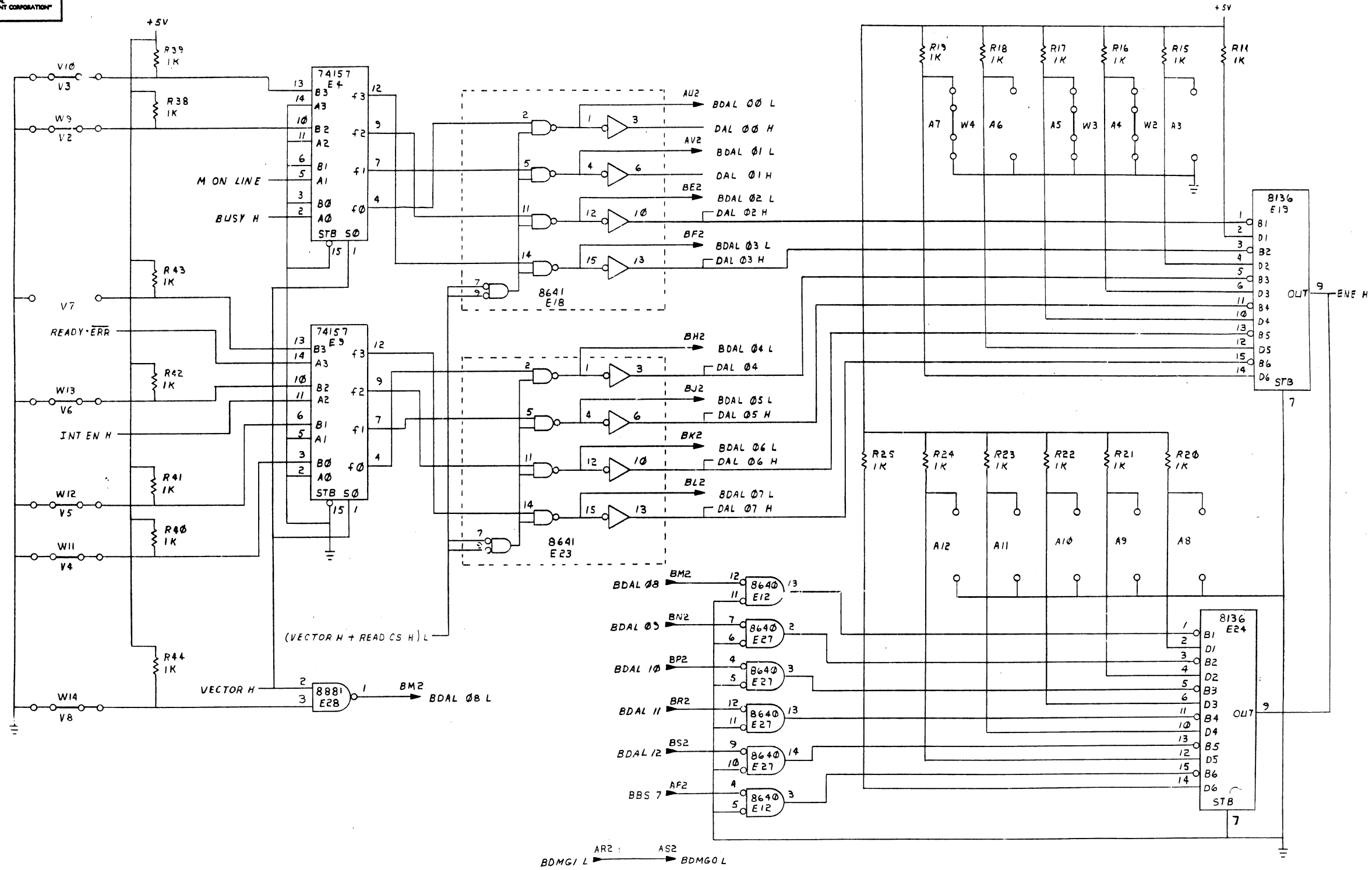


REVISIONS		
CHK	CHANGE NO.	REV.

TITLE	SIZE CODE	NUMBER	REV.
LPV-11 PRINTER INTERFACE	DCS	M8027-0-1	A
SCALE	SHEET	OF	DIST.
	4	5	

8 7 6 5 4 3 2 1

"THIS DRAWING AND SPECIFICATIONS, HEREIN, ARE THE PROPERTY OF DIGITAL EQUIPMENT CORPORATION AND SHALL NOT BE REPRODUCED OR COPIED OR USED IN WHOLE OR IN PART AS THE BASIS FOR THE MANUFACTURE OR SALE OF ITEMS WITHOUT WRITTEN PERMISSION. COPYRIGHT © 1977 DIGITAL EQUIPMENT CORPORATION"



REVISIONS		
CHK	CHANGE NO.	REV.

TITLE	SIZE	NOE	NUMBER	REV.
LPV-11 PRINTER INTERFACE	D	CS	M8027-0-1	A
SCALE	---	SHEET	5 OF 5	DIST.

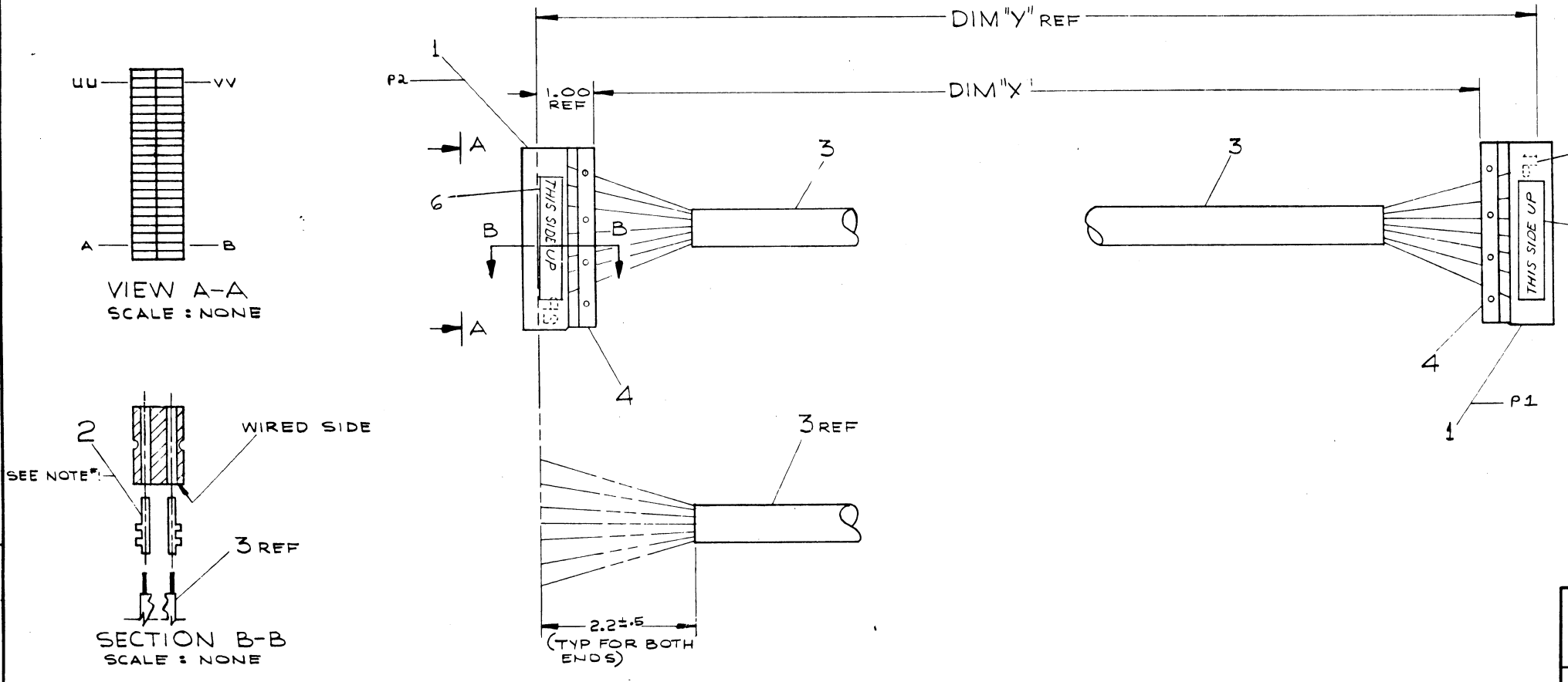
8 7 6 5 4 3 2 1

"THIS DRAWING AND SPECIFICATIONS HEREIN ARE THE PROPERTY OF DIGITAL EQUIPMENT CORPORATION AND SHALL NOT BE REPRODUCED OR COPIED OR USED IN WHOLE OR IN PART AS THE BASIS FOR THE MANUFACTURE OR SALE OF ITEMS WITHOUT WRITTEN PERMISSION. DIGITAL EQUIPMENT CORPORATION" 1973

WIRE TABLE															
ITEM NO	DESCRIPTION	FROM	TO	SIGNAL NAME	ITEM NO	DESCRIPTION	FROM	TO	SIGNAL NAME						
	AWG	COLOR	CONNECTION WITH	CONNECTION WITH		AWG	COLOR	CONNECTION WITH	CONNECTION WITH						
3	24	BLU	PI-SS	2	P2-D	2	D5 RTN	3	24	GRV	PI-V	2	P2-AA	2	PAPER (GND)
	TWP	WHT	PI-PP		P2-F		D6 RTN		TWP	RED	PI-U		P2-BB		PAPER RTN
		ORN	PI-AA		P2-V		D3 RTN			BLU	PI-YV		P2-A		STROBE
		WHT	PI-EE		P2-R		D4 RTN			BLK	PI-UU		P2-B		STROBE RTN
		GRN	PI-L		P2-KK		* +5			ORN	PI-N		P2-HH		SELECT (ONLINE)
		WHT	PI-K		P2-LL		* RTN			BLK	PI-M		P2-JJ		SELECT RTN
		BRN	PI-HH		P2-N		D1 RTN			GRN	PI-T		P2-CC		HDWR
		WHT	PI-KK		P2-L		D2 RTN			BLK	PI-S		P2-DD		HDWR RTN
		GRY	PI-T		P2-PP		* SEE NOTE 2			BRN	PI-Z		P2-W		* SEE NOTE 2
		WHT	PI-E		P2-RR		* SEE NOTE 2			BLK	PI-Y		P2-X		* SEE NOTE 2
		BLU	PI-NN		P2-H		PRIME			GRY	PI-DD		P2-S		D7
		RED	PI-MM		P2-J		PRIME RTN			BLK	PI-D		P2-SS		DB (PARITY)
		ORN	PI-CC		P2-T		D7 RTN			BLU	PI-TT		P2-C		D5
		RED	PI-C		P2-TT		D8 RTN			YEL	PI-RR		P2-E		D6
		GRN	PI-R		P2-EE		FAULT			ORN	PI-BB		P2-U		D3
		RED	PI-D		P2-FF		FAULT RTN			YEL	PI-FF		P2-P		D4
		BRN	PI-X		P2-Y		DEM			GRN	PI-JJ		P2-M		D1
3	24	RED	PI-W	2	P2-Z	2	DEM RTN	3	TWP	YEL	PI-LL	2	P2-K	2	D2

NOTES:
 1. MFG. SHOULD USE MACHINE CRIMPING TOOL FOR THE ASSY OF PINS (ITEM #2)
 2. UNUSED CONN.

NUMBER	DIM 'X' VARIATION	DIM 'Y' (PRE-CUT) REF
BCIS-23	25 FT. ± 3.0 IN	25 FT. 2.0 IN
BCIS-50	50 FT. ± 2.0%	50 FT. 2.0 IN
BCIS-A0	100 FT. ± 2.0%	100 FT. 2.0 IN



REV.	DATE	BY	CHK'D
1	11-16-73	J. WILSON	
2	12-20-73		
3			

DESCRIPTION	DWG/PART NO.	ITEM NO.
2 STICKER THIS SIDE UP	3611567	6
2 CABLE LABEL	908473	5
2 STRAIN RELIEF	1211166	4
A/R CABLE, TWP # 24 AWG	9107700-00	3
72 PIN SOCKET	1210089-4	2
2 HOUSING	1210918-1B	1

UNLESS OTHERWISE SPECIFIED DIMENSIONS ARE IN INCHES	
ANGLES	CLASS OF ACCURACY
SURFACE QUALITY	CHECK ONE
QUANTITY & VARIATION	MICROINCHES
THIRD ANGLE PROJECTION	REMOVE BURRS AND BREAK SHARP CORNERS
MATERIAL	DO NOT SCALE DWG
FINISH	

DRWG	DATE	FIRST USED ON
CHK'D		
ENG		
PROJ. ENG		
PROD		

TITLE	SIZE	CODE	NUMBER	REV.
CABLE, PRINTER	A-PL-CMII-0-10	D IA	BCIS-0-0	A

SHEET 1 OF 1

DEC FORM NO. 010 1000

DIGITAL EQUIPMENT CORPORATION
MAYNARD, MASSACHUSETTS
PARTS LIST

MADE BY	R. HOLZER	CHECKED	D. HEALY
DATE	19 AUG 77	DATE	22 AUG 77
ENG	R. Holzer	PROD	[Signature]
DATE	30 SEP 77	DATE	11/23/77

QUANTITY VARIATION											
LPV11-PA	LPV11-PB	LPV11-PC	LPV11-PD								
1	1	1	1								
1	1	1	1								
1	1	1	1								
1	1	1	1								
1	1	1	1								

TITLE SHIPPING LIST LPV11-P	ASSY NO. NONE	SIZE A	CODE PL	NUMBER LPV11-P	REV	ECO NO.
SHEET 1 OF 1		DIST				

DEC FORM